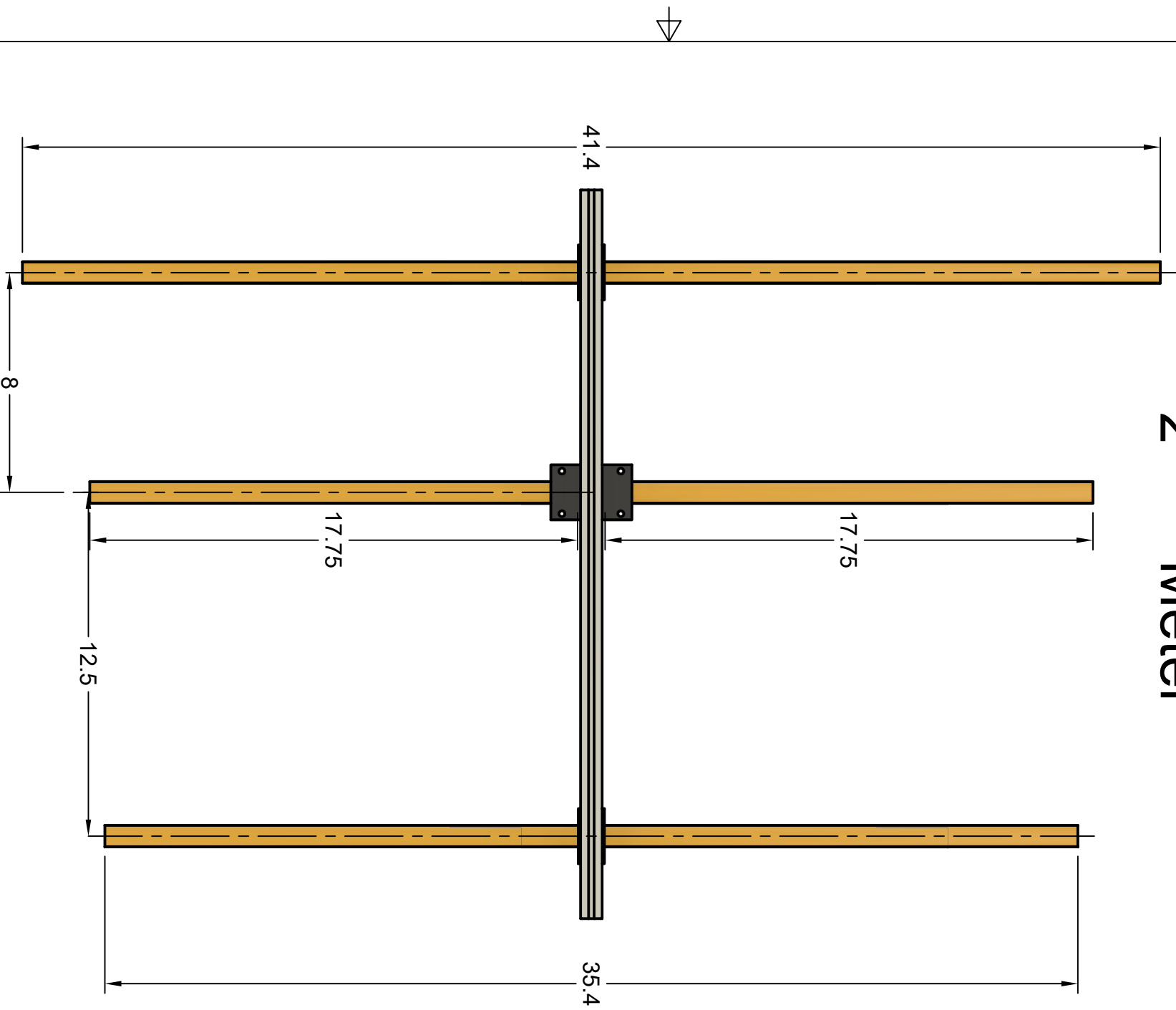
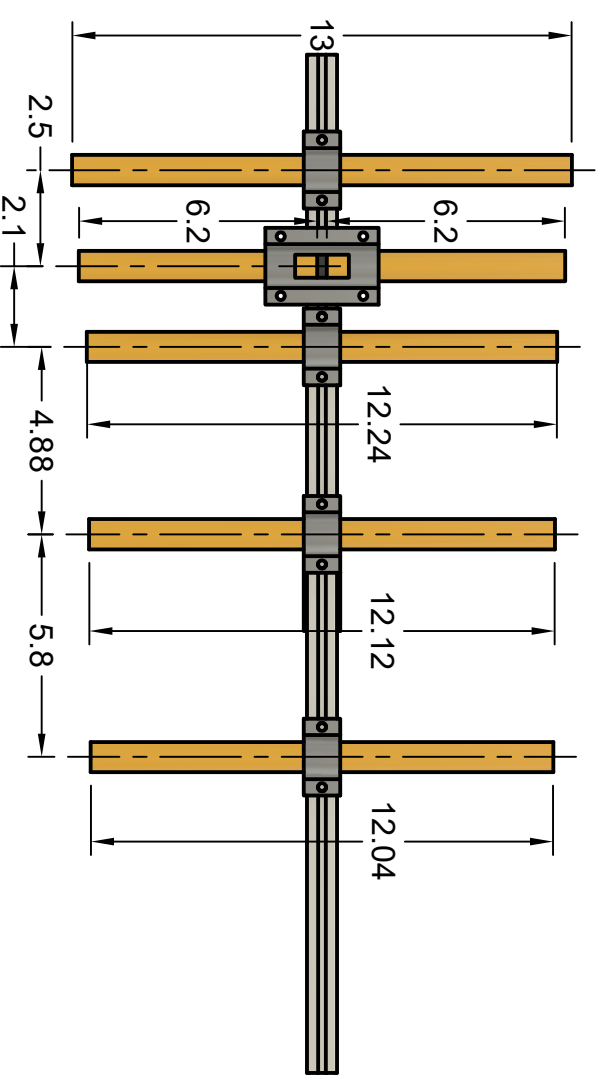


Dimensions

2 Meter



440 Centimeter



Scaling is 1:5
Units Are inches
Drawing created with Fusion 360

