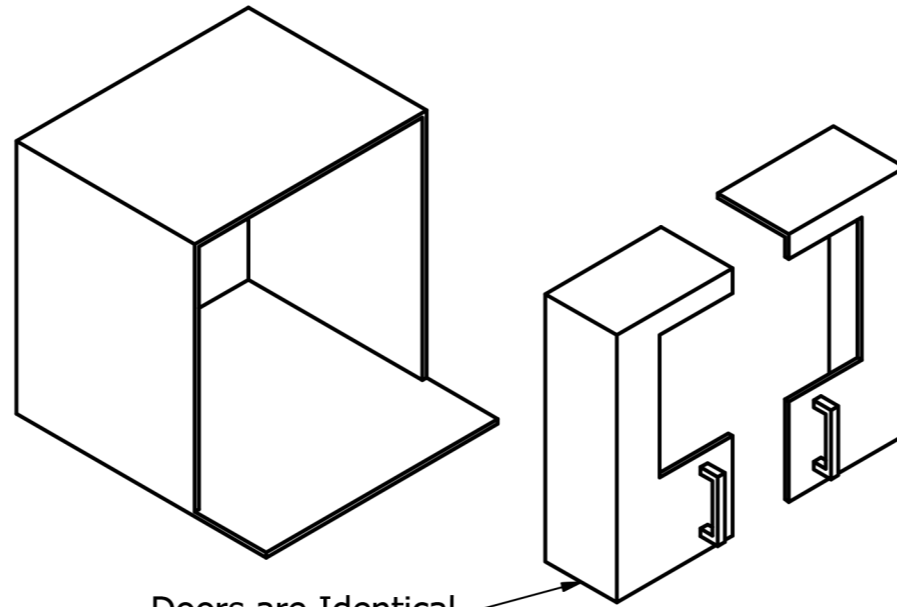
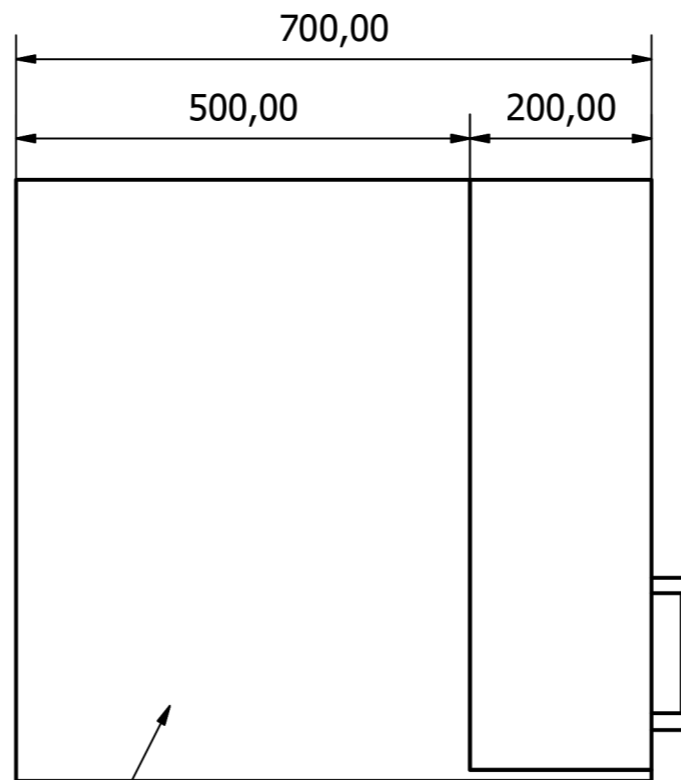
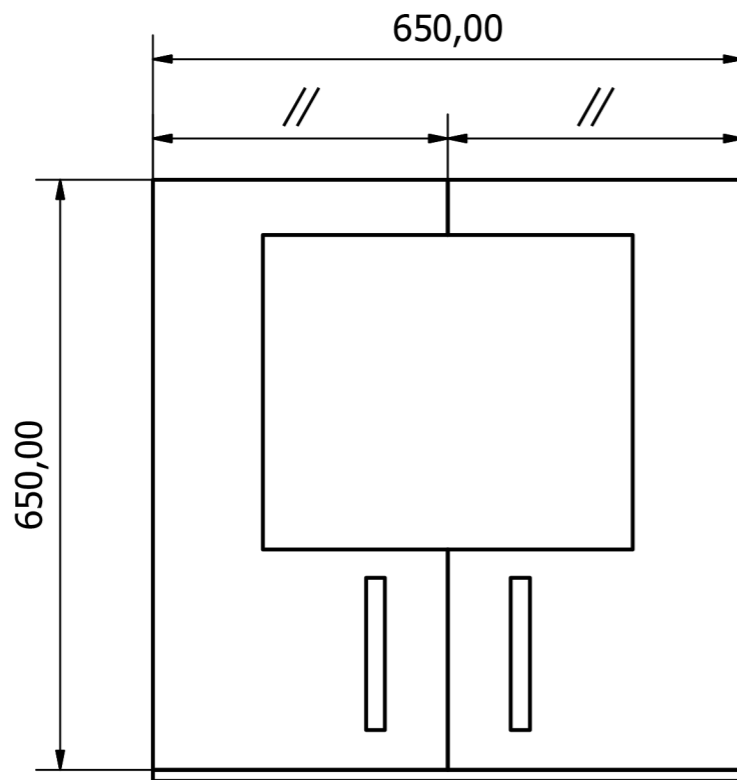
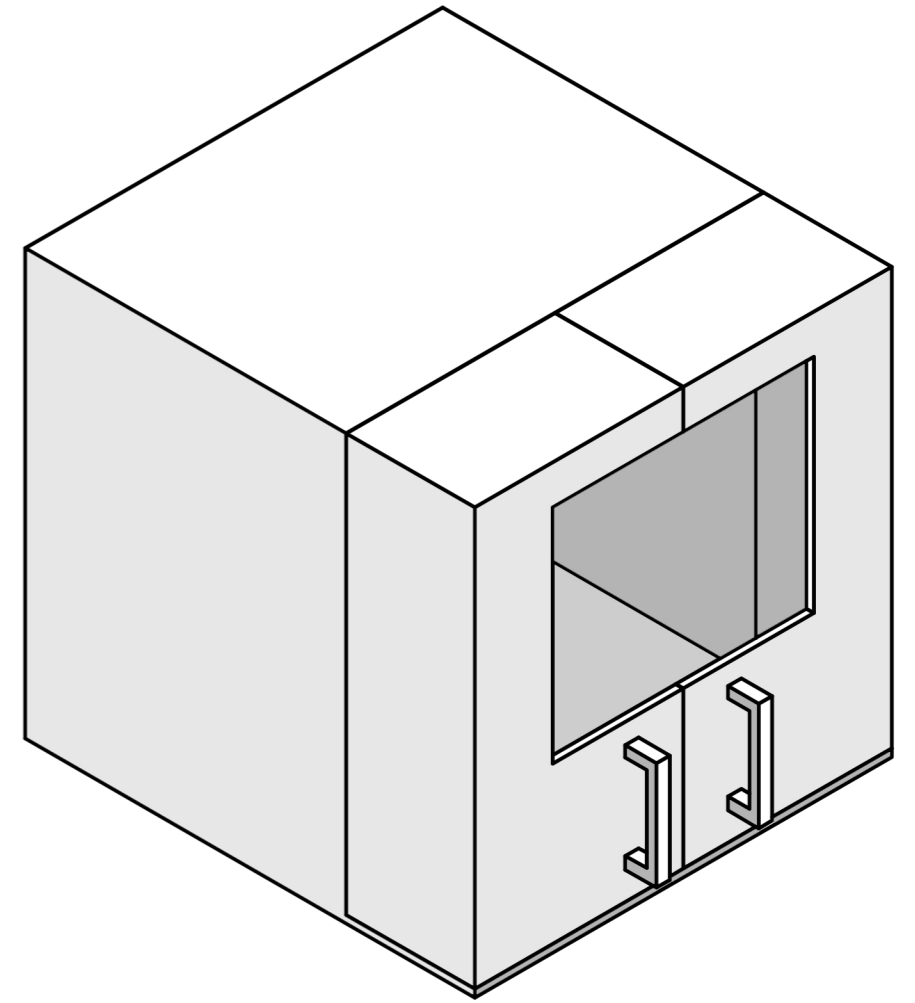


**Materials used:**

- MDF 8mm (all side panels)
- MDF 18mm (bottom panel)
- wooden slats 25x25mm
- insulation foam apr. 25mm thick
- reflective foil (on the inside, bottom)
- piano-hinges 2x 650mm long
- screws
- MDF primer paint



Doors are Identical (mirrored)



dimensions are slightly over-sized (thickness of MDF and foam is included)  
inside of the box leaves enough room for Creality CR-10



**Making of Video**

<https://www.youtube.com/watch?v=HUOhnQBmZg0>

Designed by Ruben	Checked by	Approved by	Date	Date 14/05/2018
Spare Time Shop		Creality CR-10 enclosure		
Assembly1-1		Edition	Sheet 1 / 1	