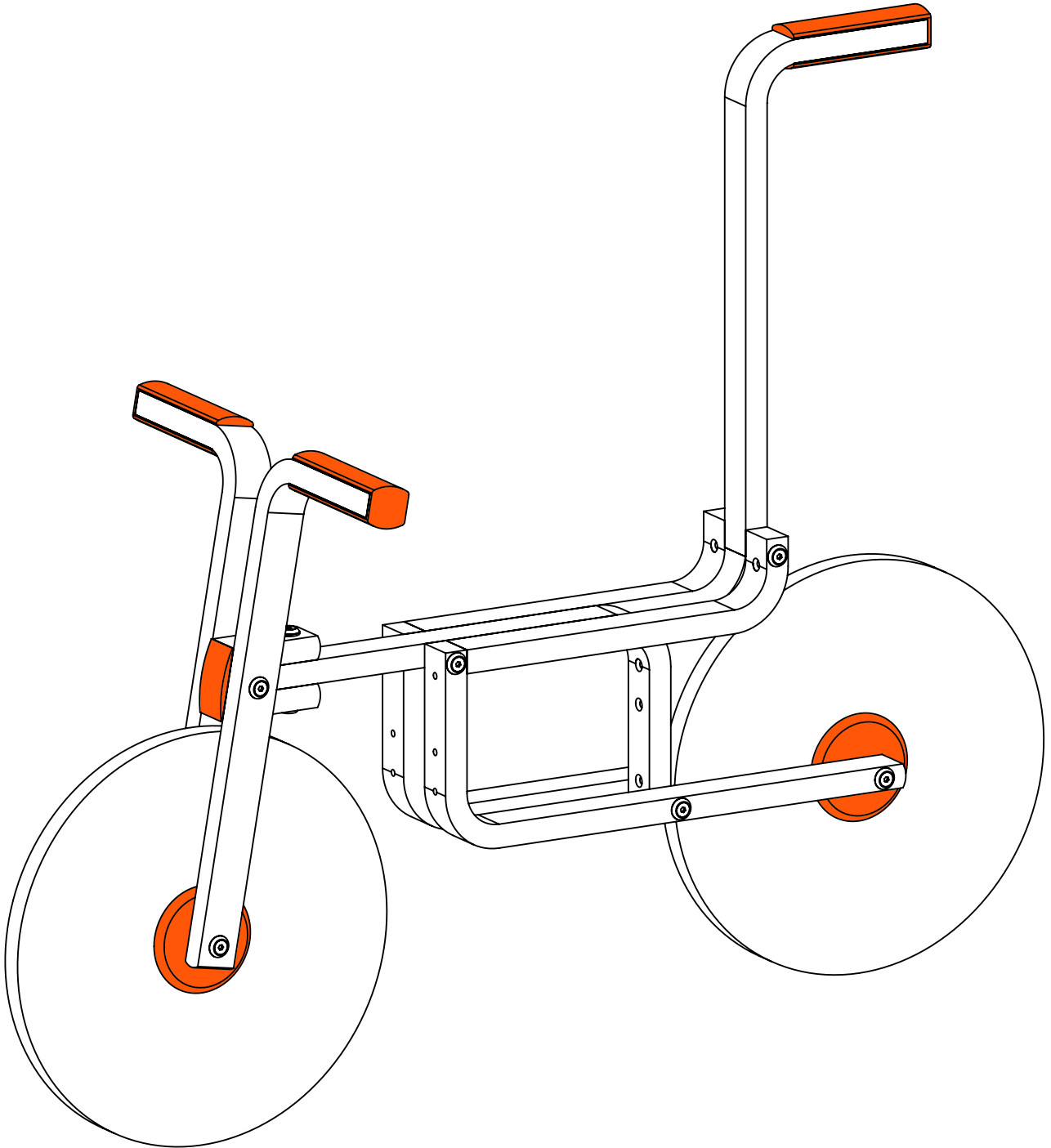
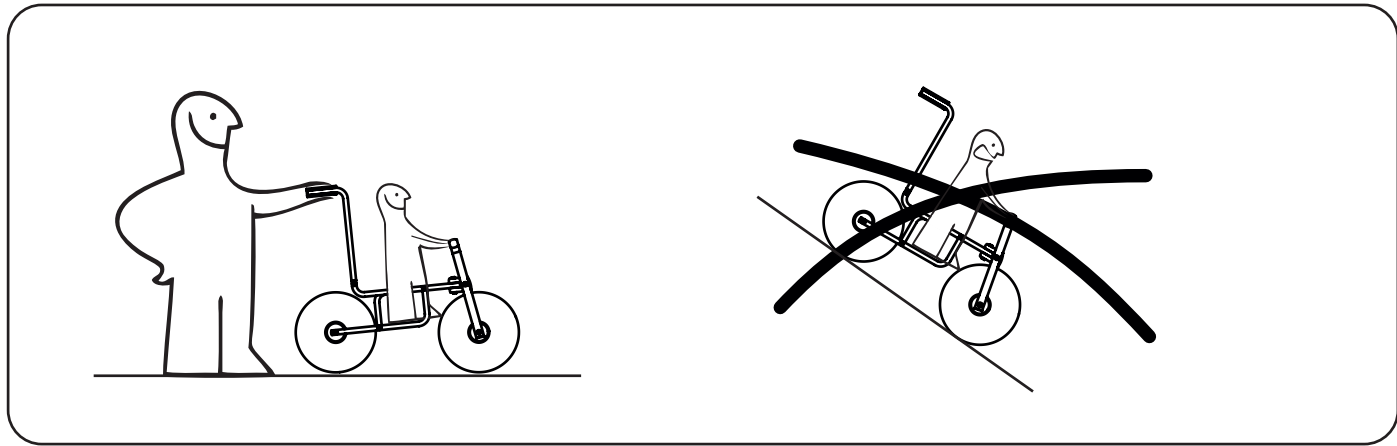
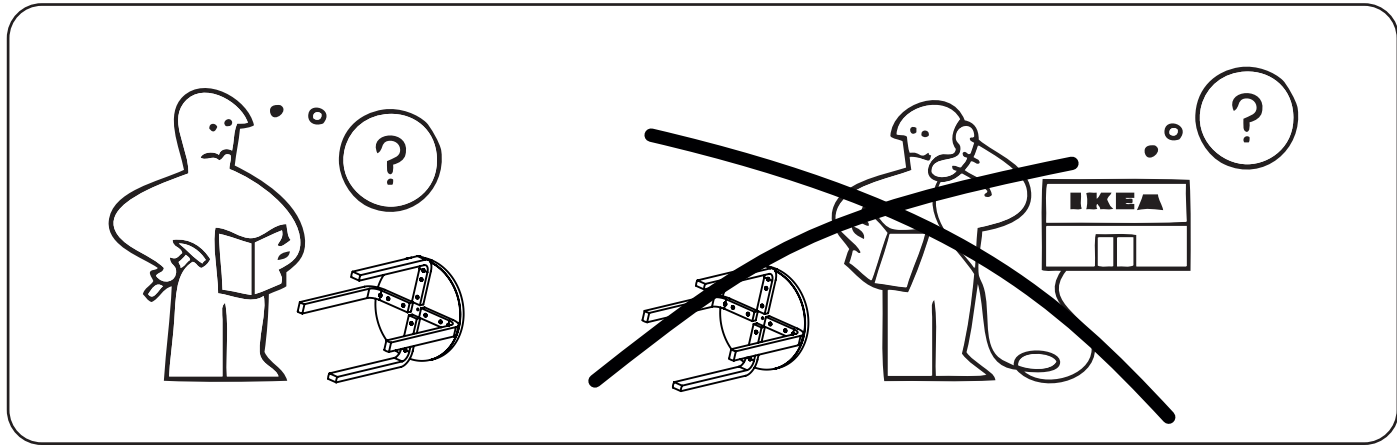
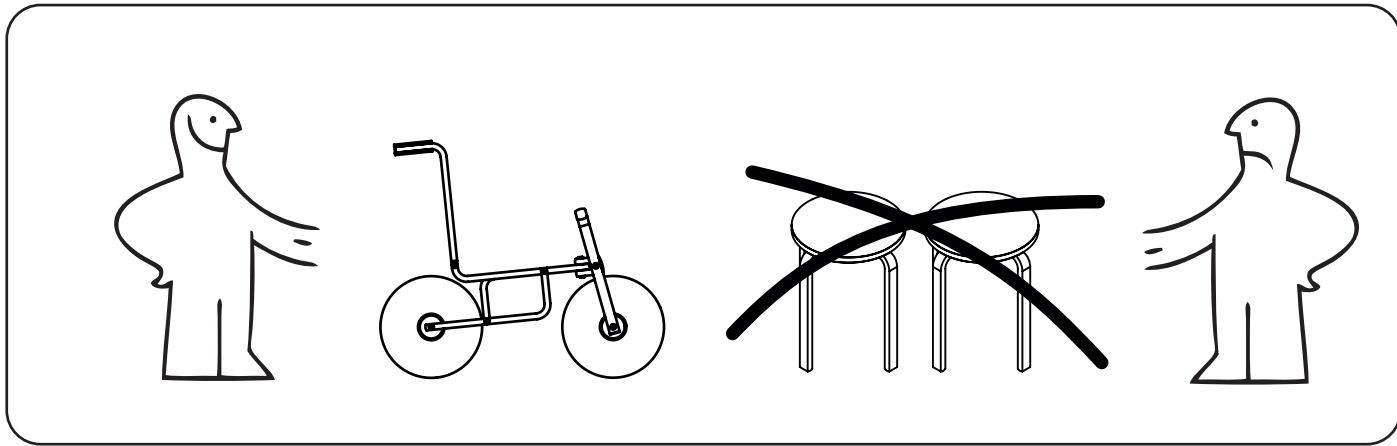
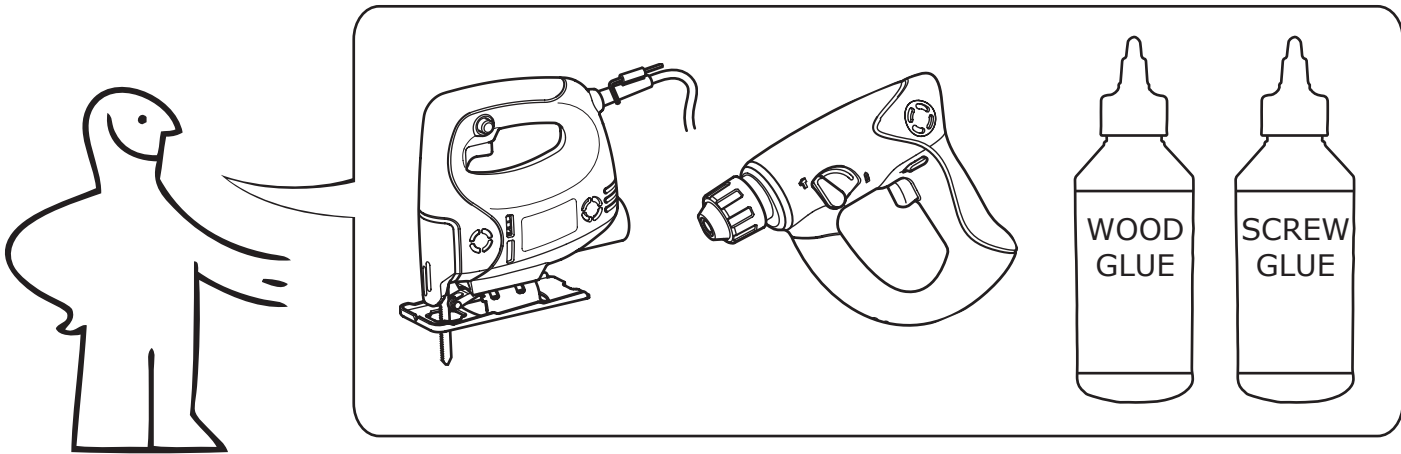


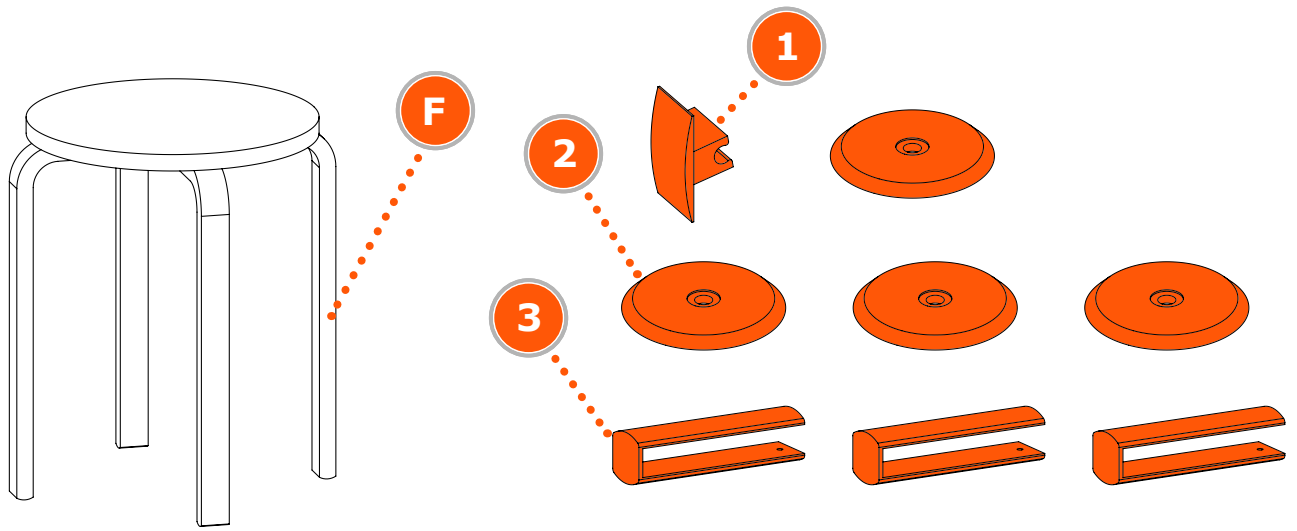
Draisienne



IKEA's stool Frosta
hacked by

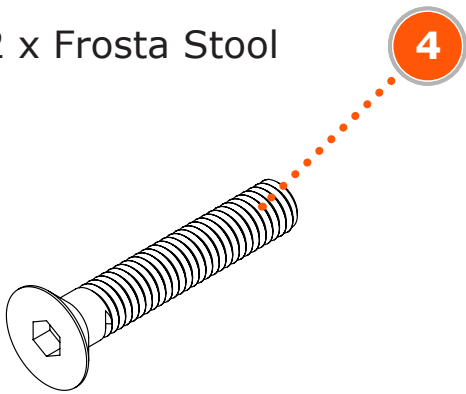
**& Andreas Bhend
Samuel Bernier**



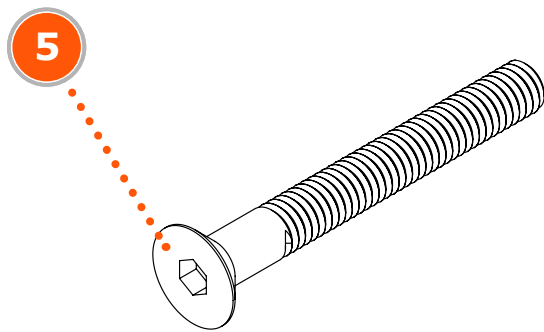


2 x Frosta Stool

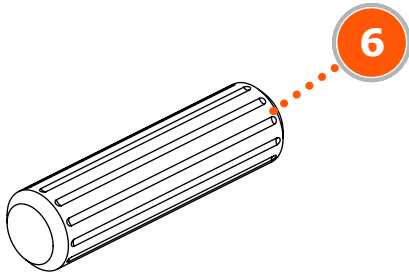
1 x set of printed parts



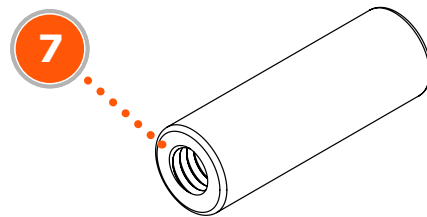
6 x counter sunk screw
(M6 x 35mm)



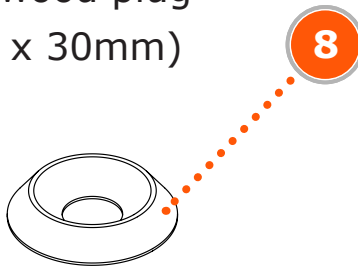
8 x counter sunk screw
(M6 x 50mm)



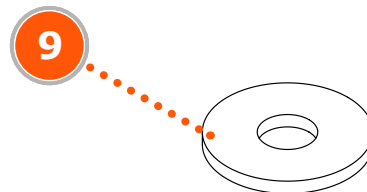
8 x wood plug
(Ø8 x 30mm)



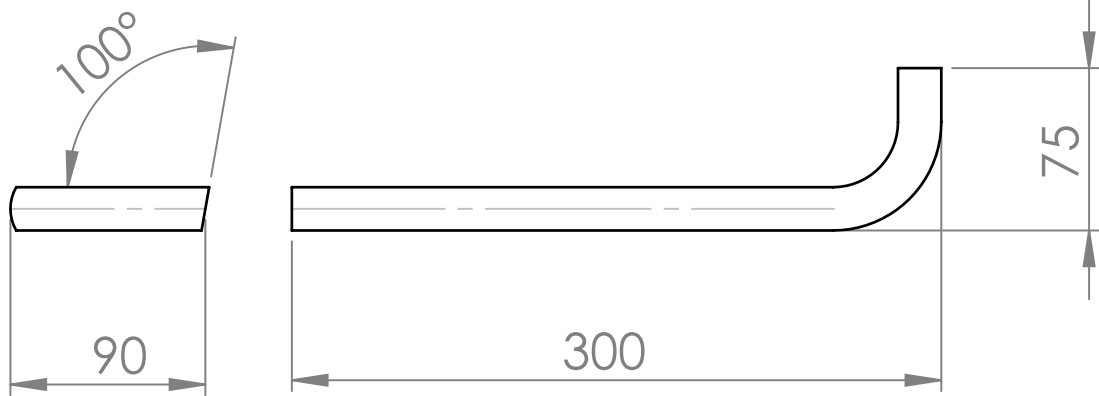
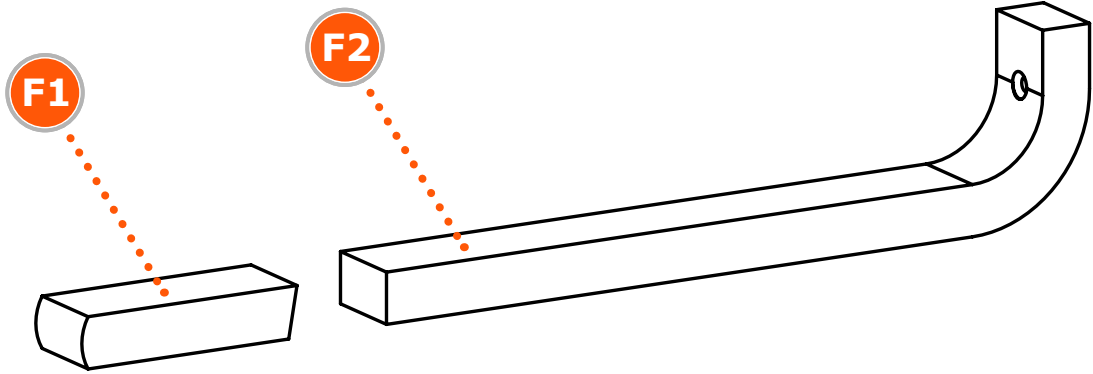
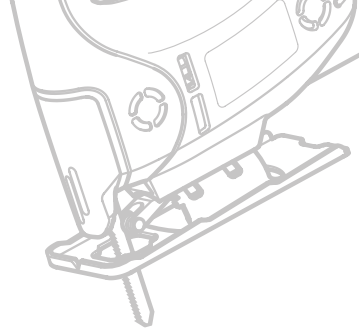
7 x screw socket
(M6 x 30mm)

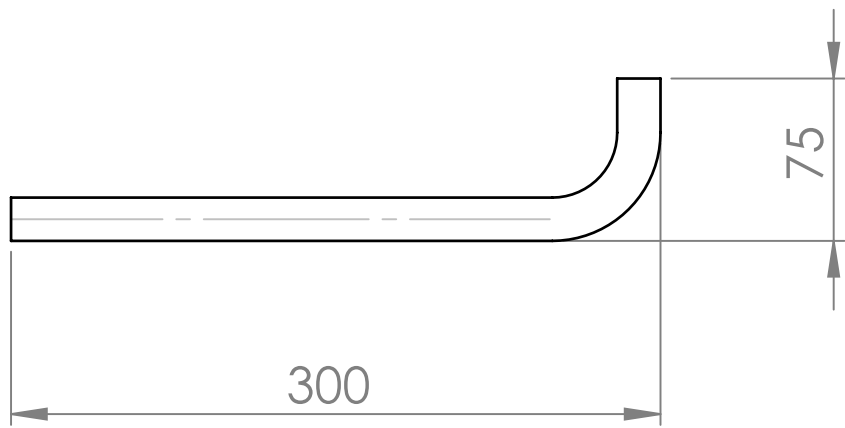
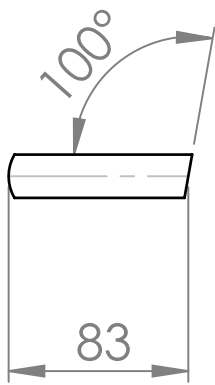
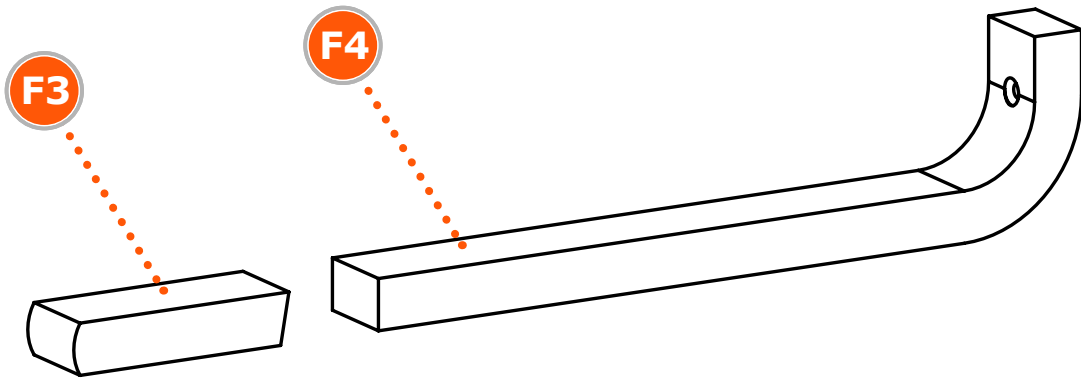
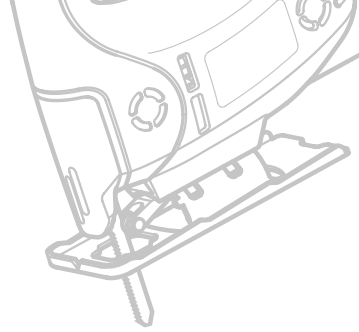


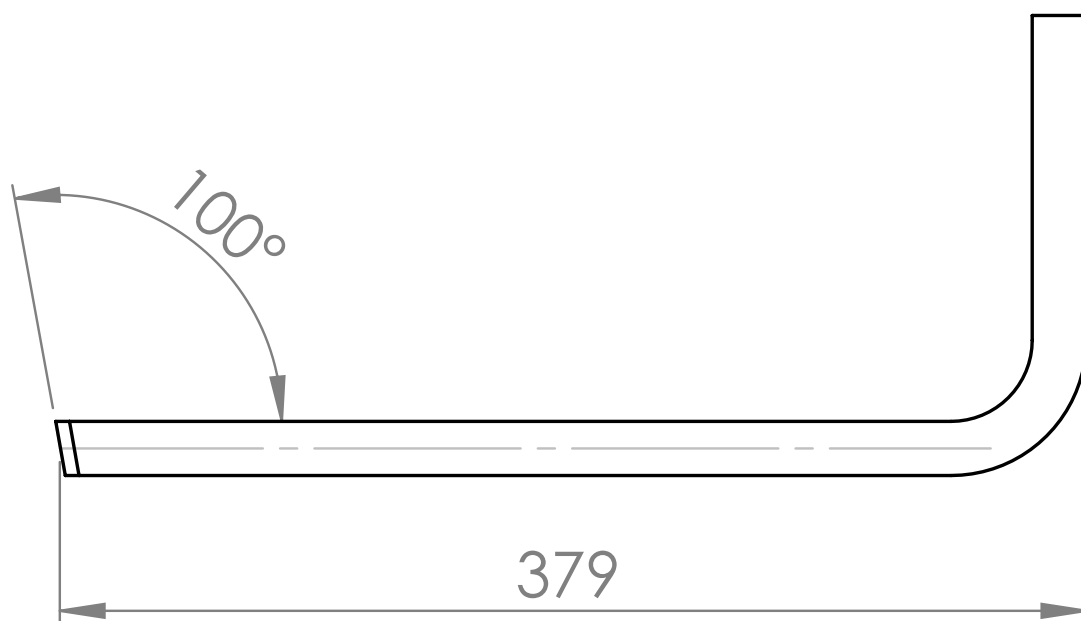
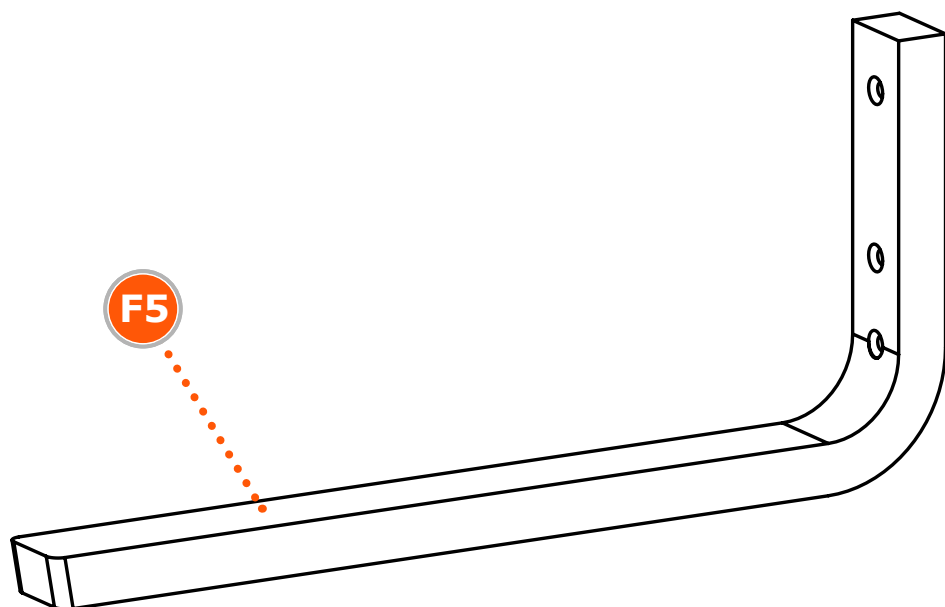
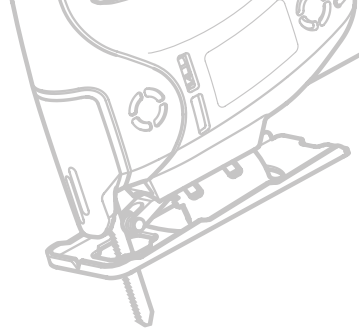
8 x counter sunk washer
(Ø6.5 / Ø18)

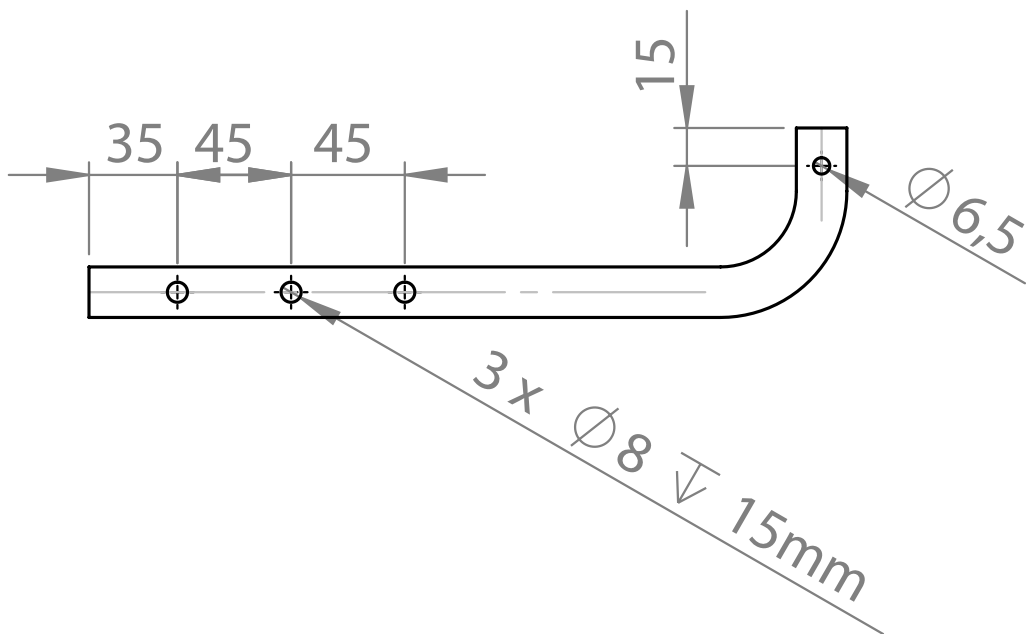
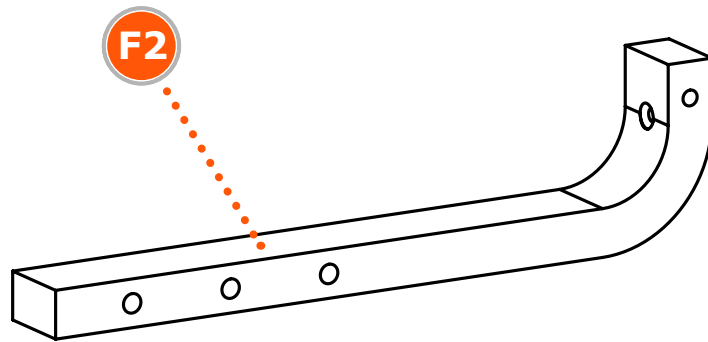
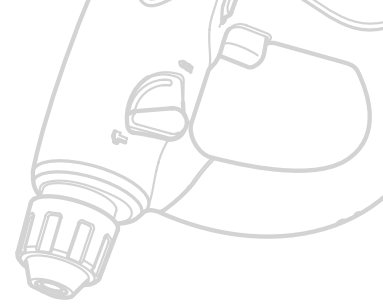


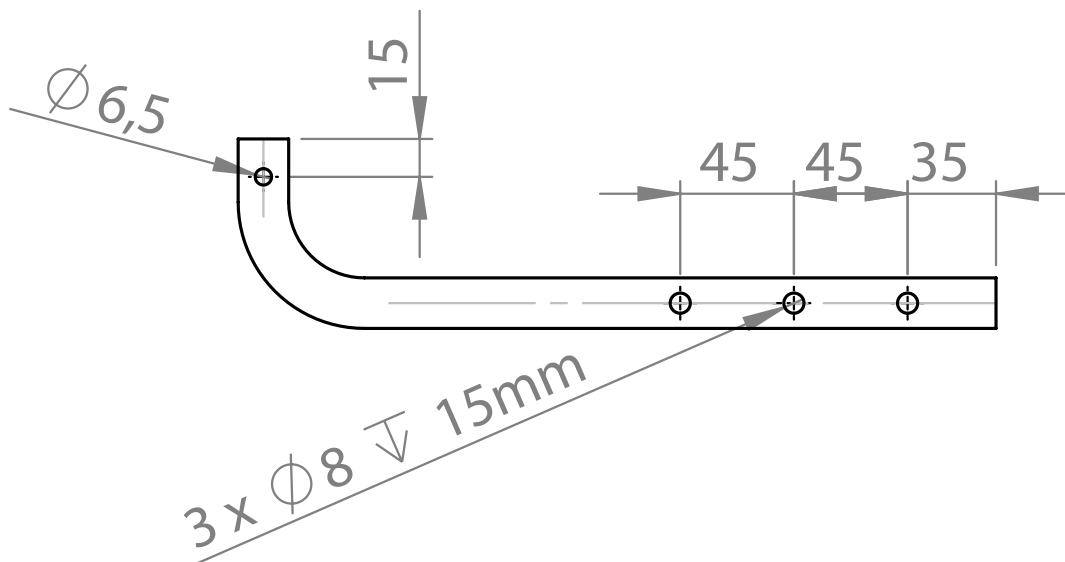
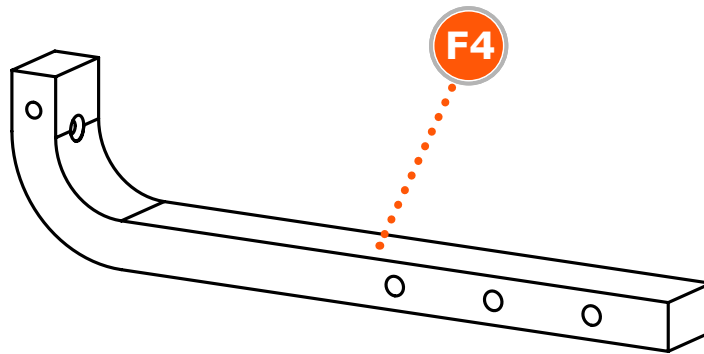
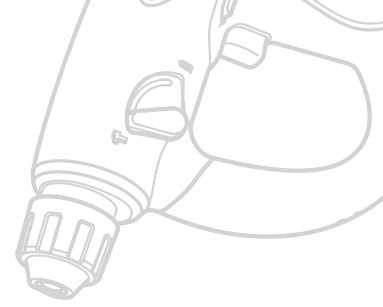
6 x washer
(Ø18 / Ø6.5 x 1.6mm)

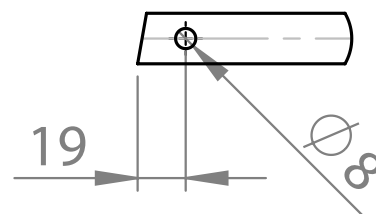
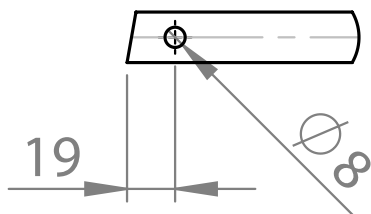
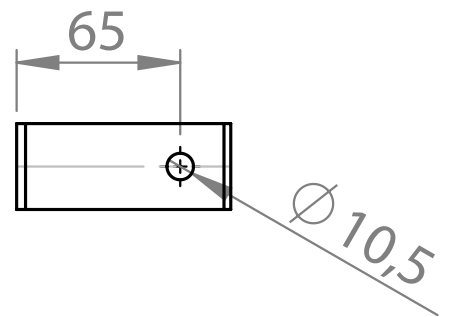
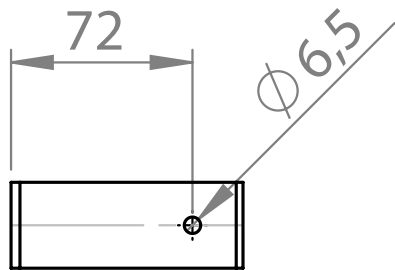
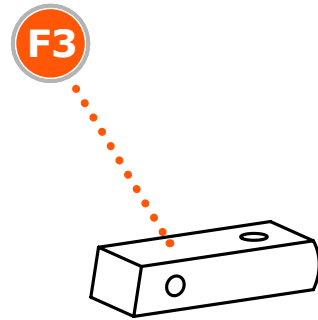
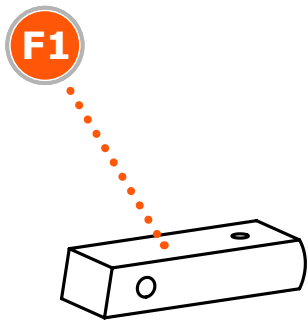
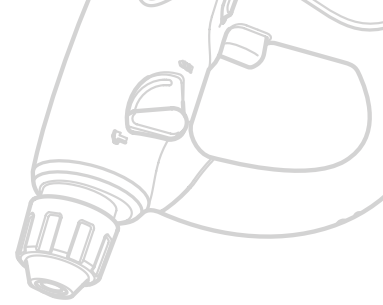


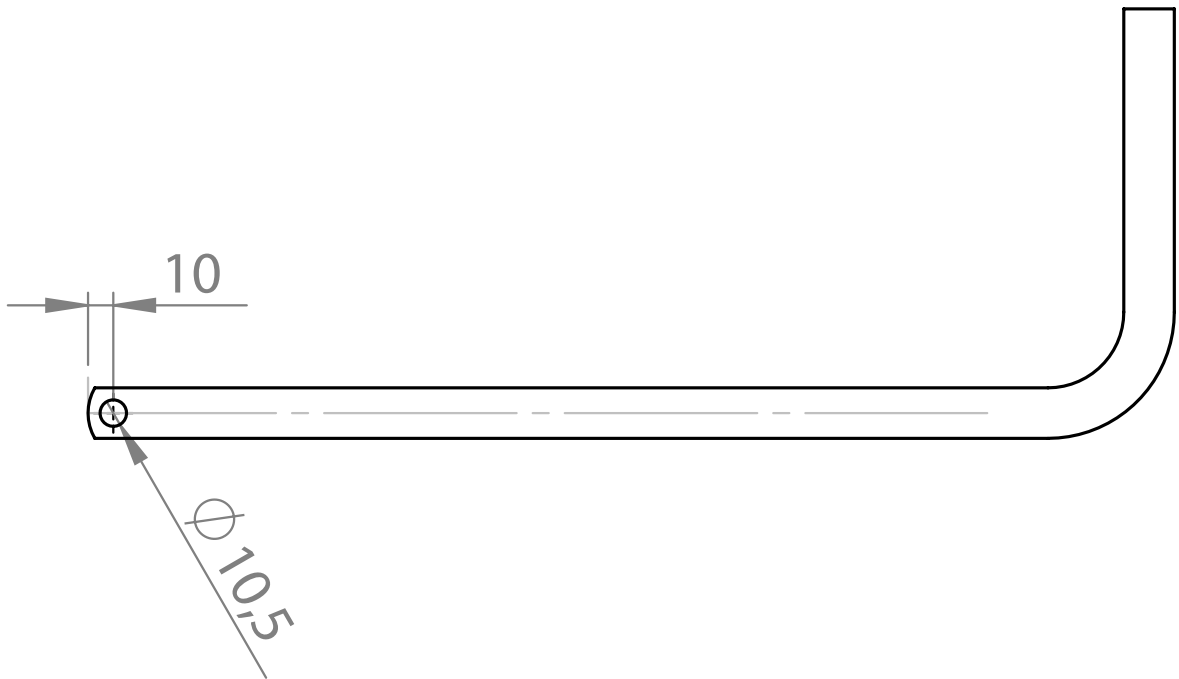
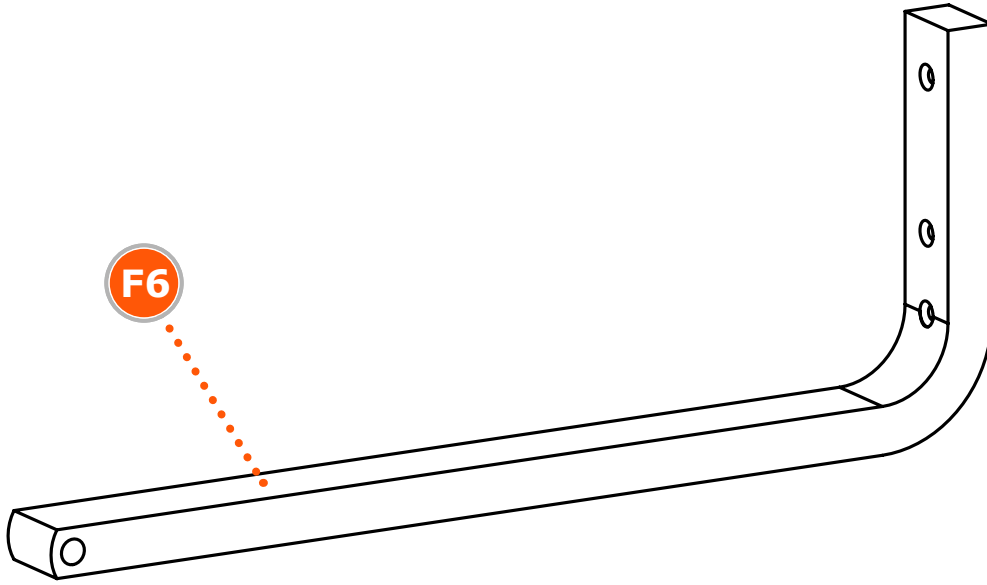
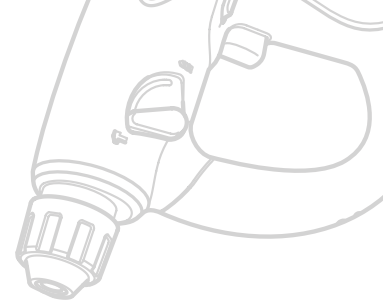


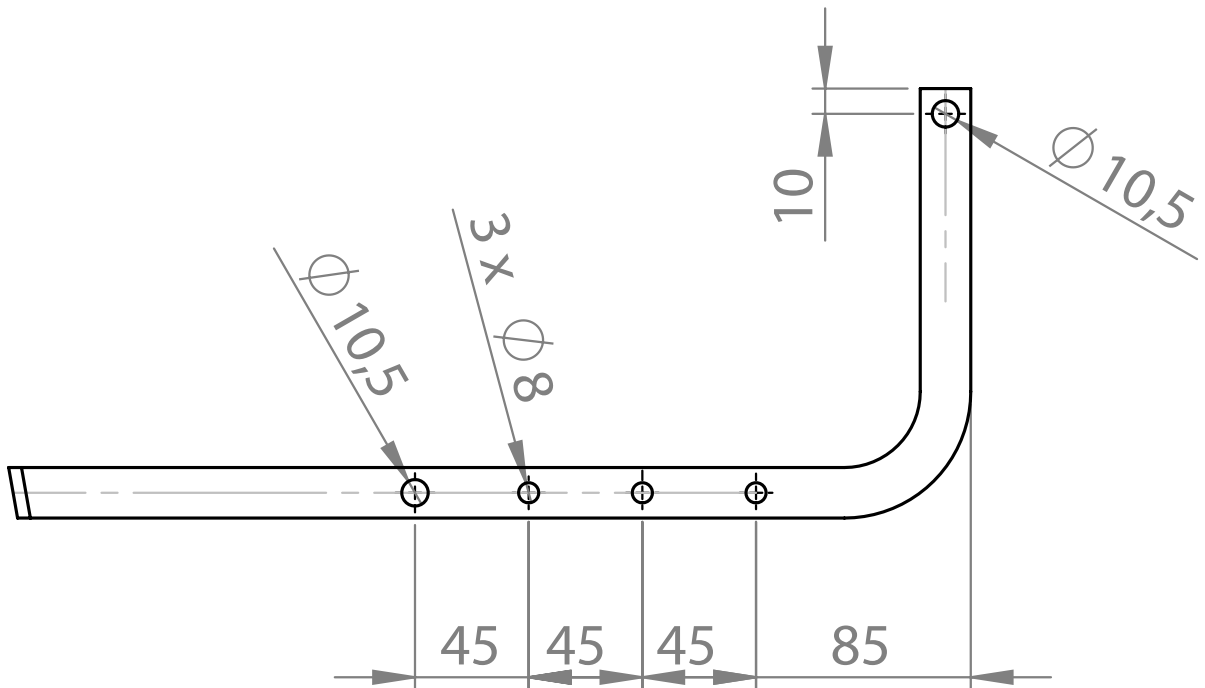
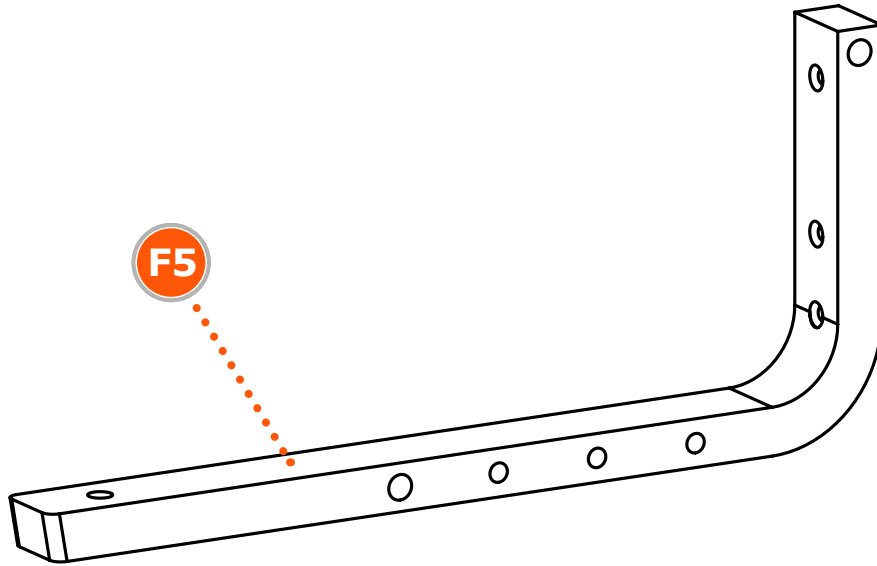
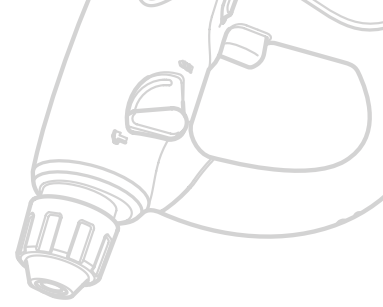


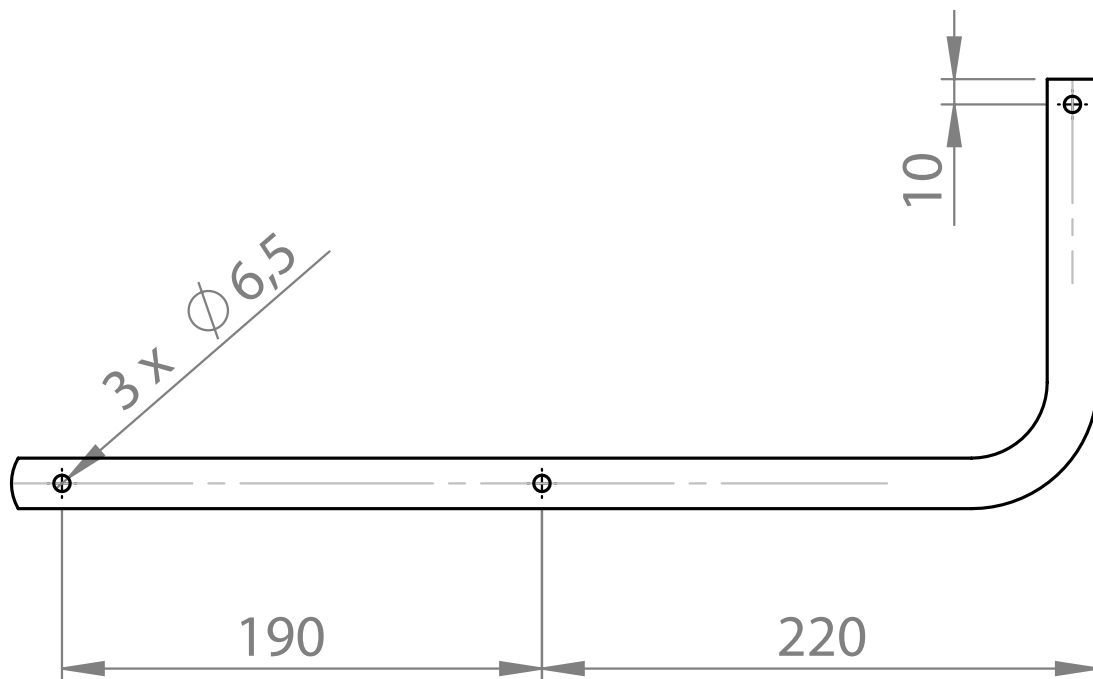
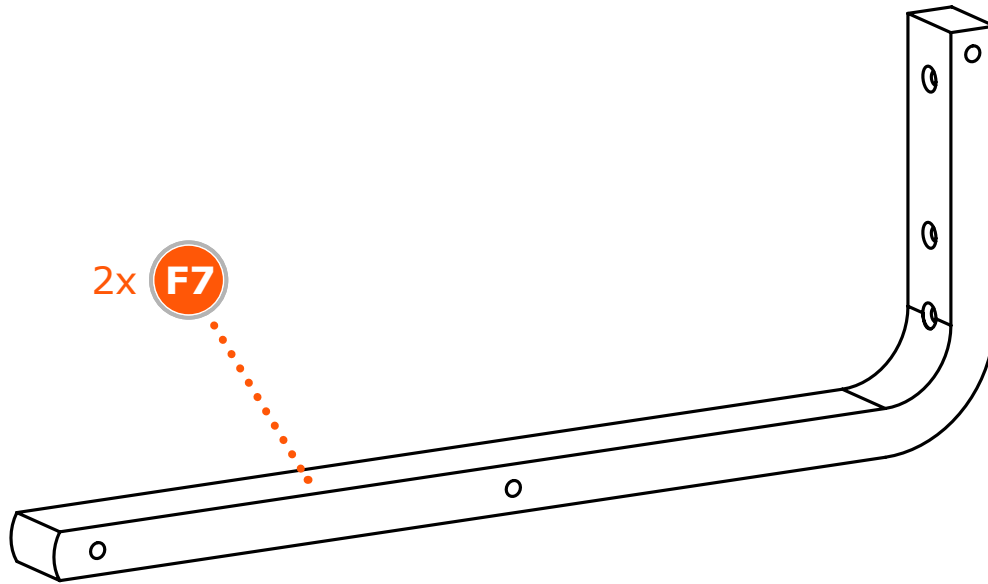
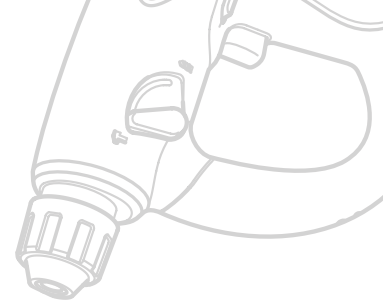


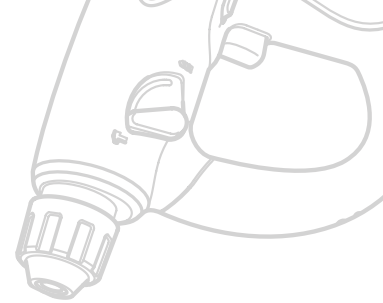




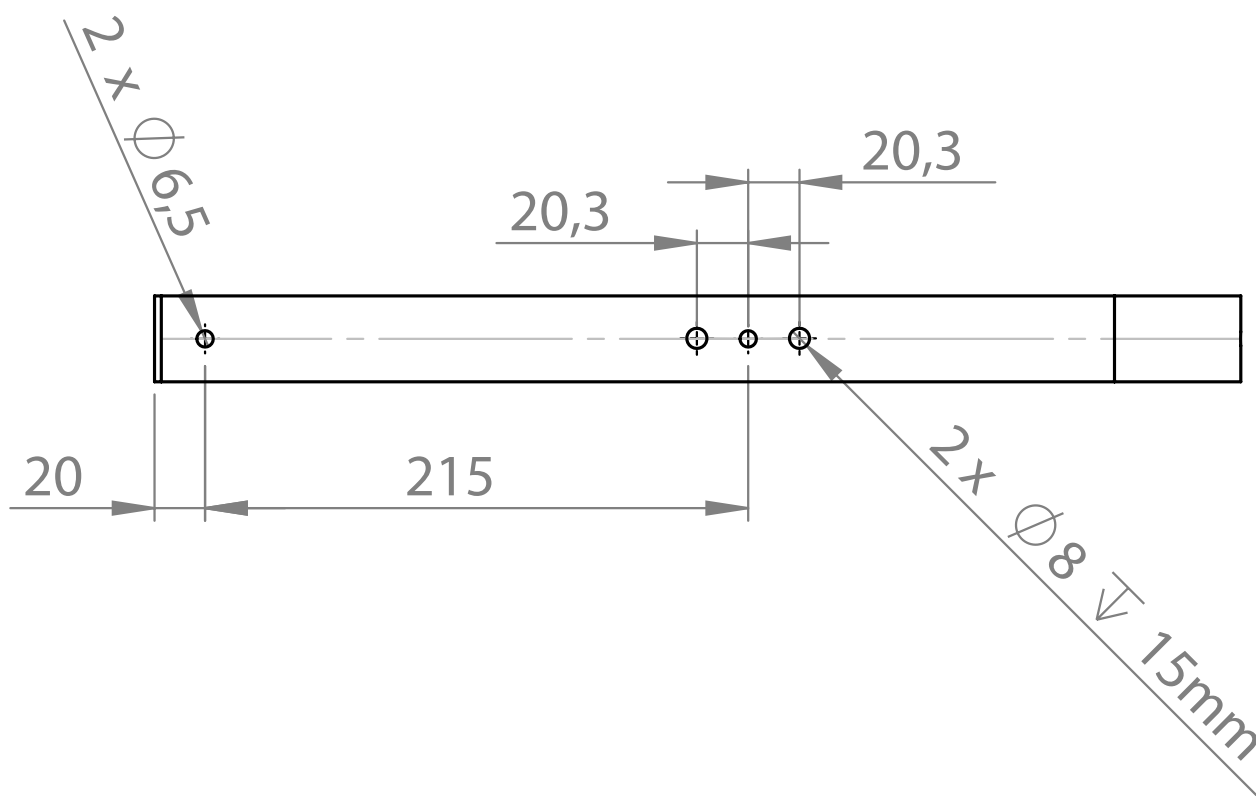
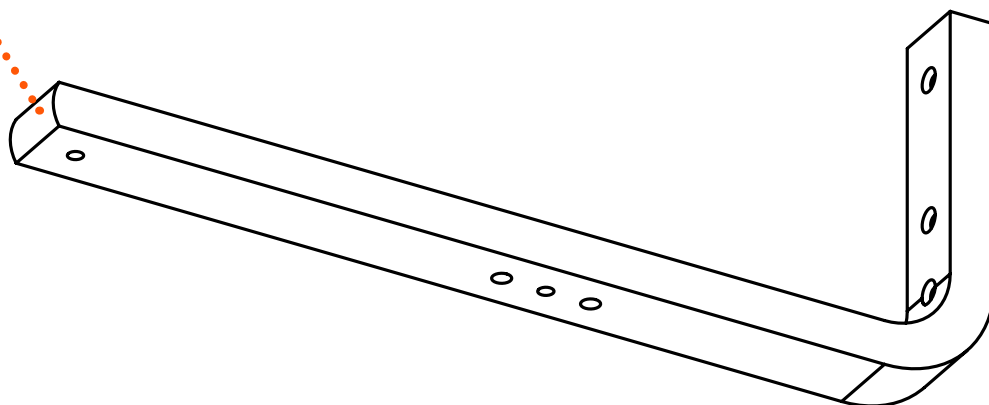


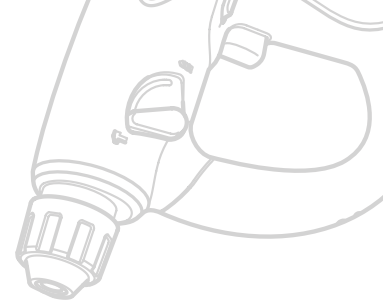




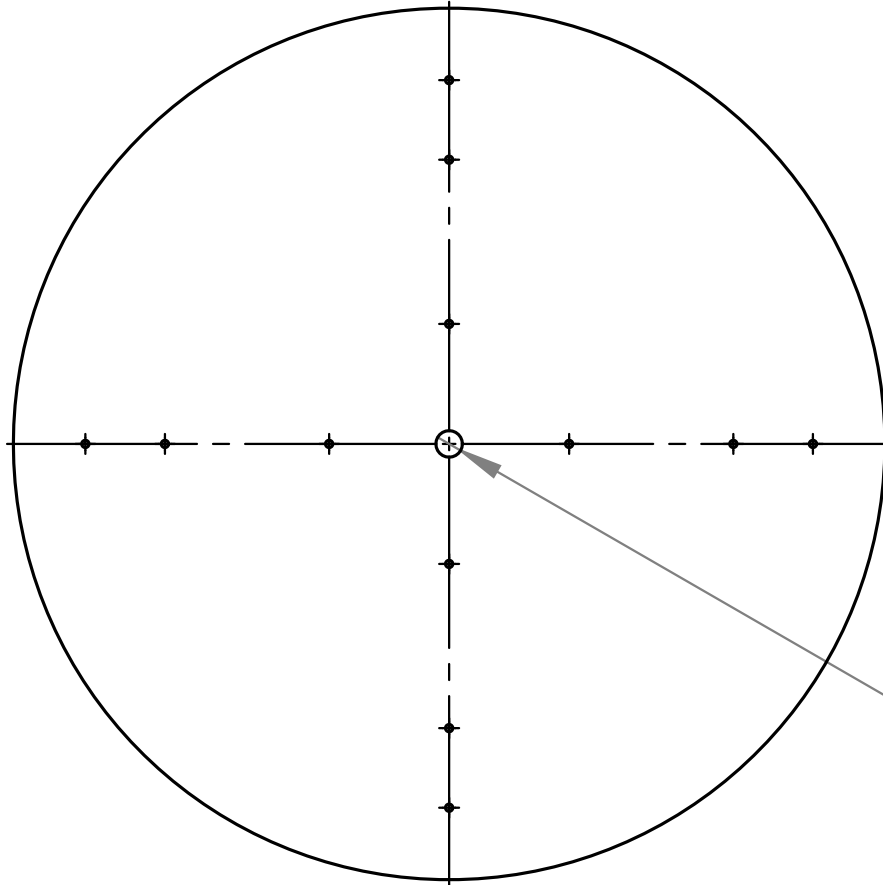
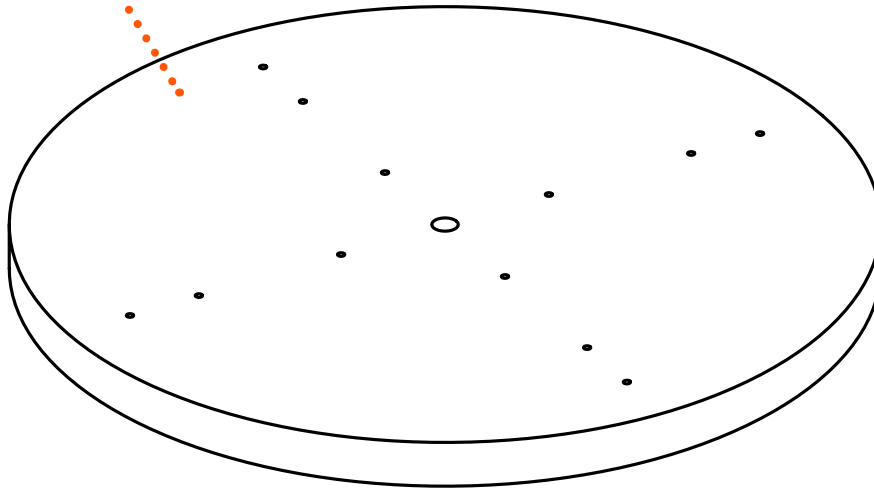


F8





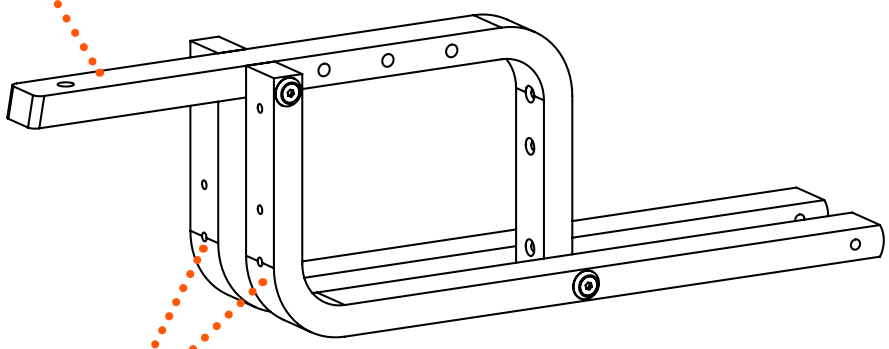
2x **F9**



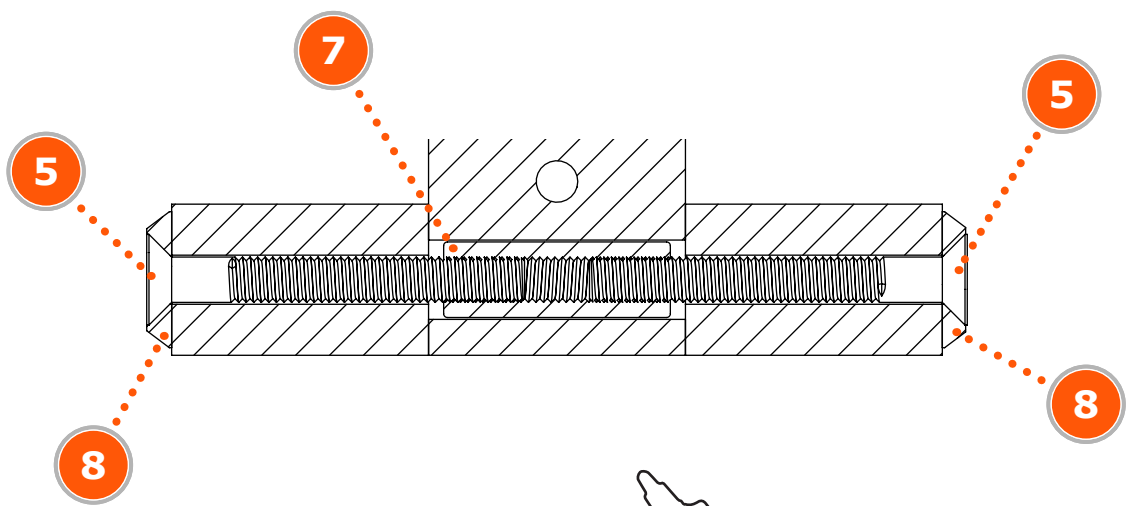
Ø 10,5

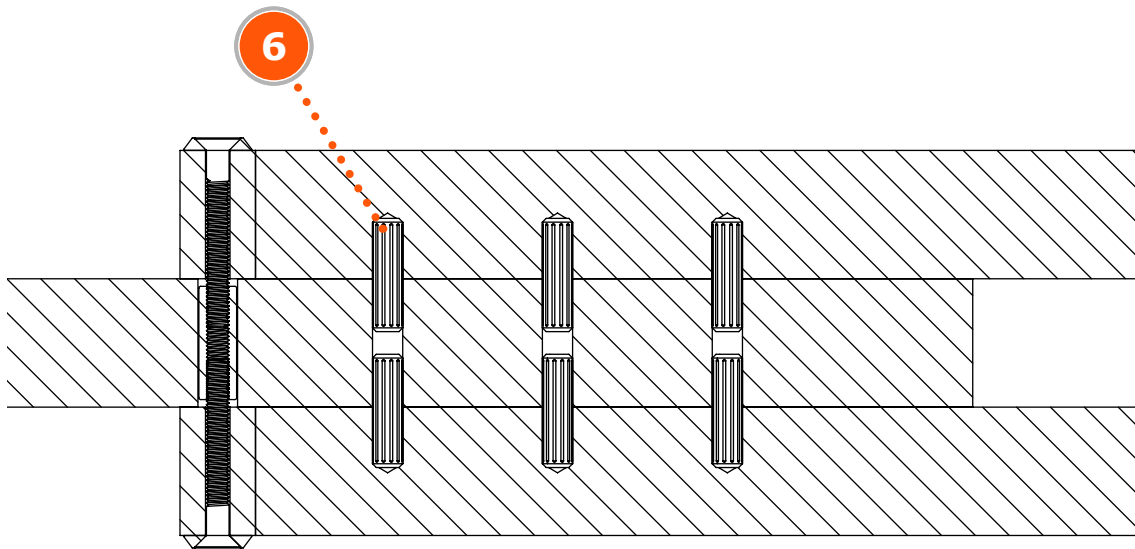
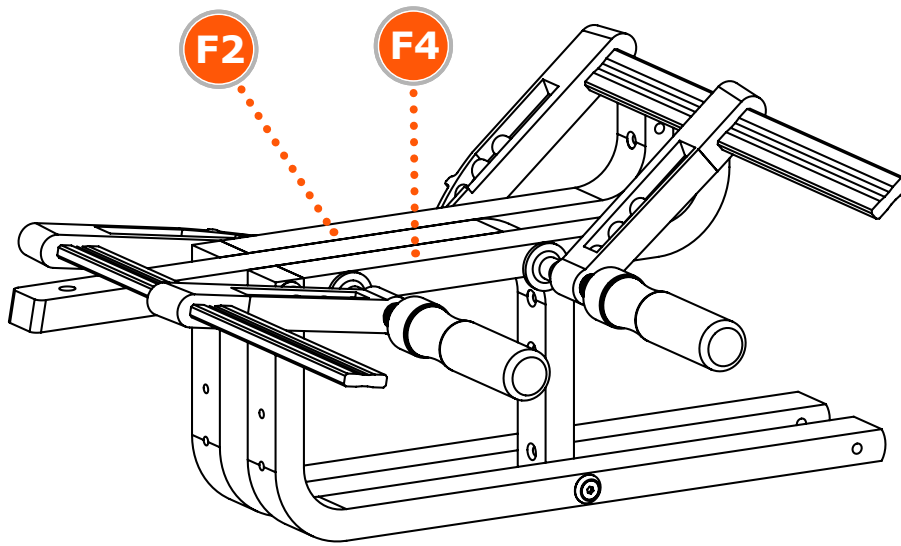


F5



F7







If both screws are fully tightened, the F1 and F3 have still to be turnable. If not, sand the F3 a little bit on the top.

