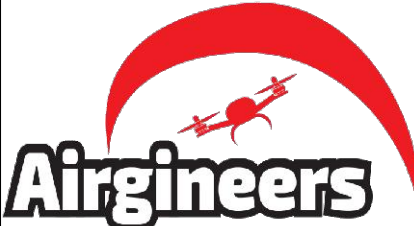
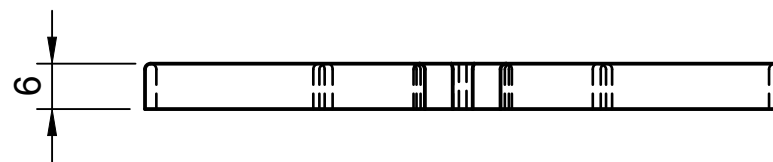
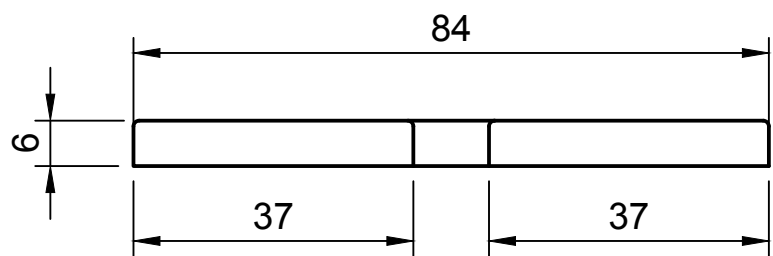
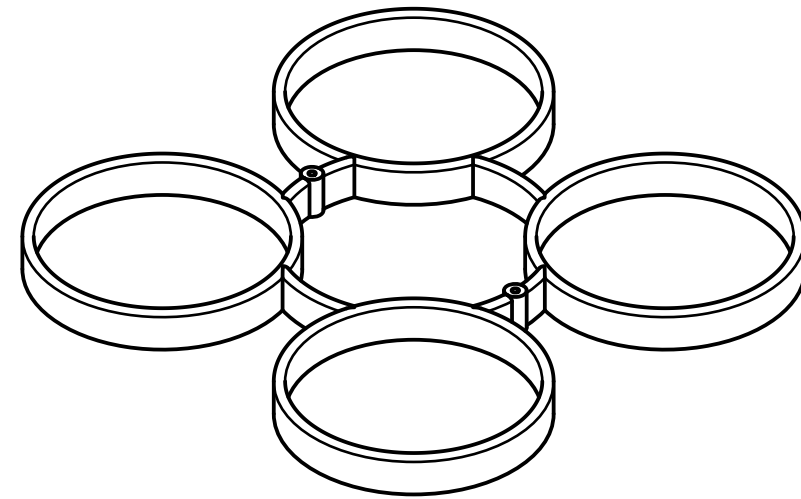
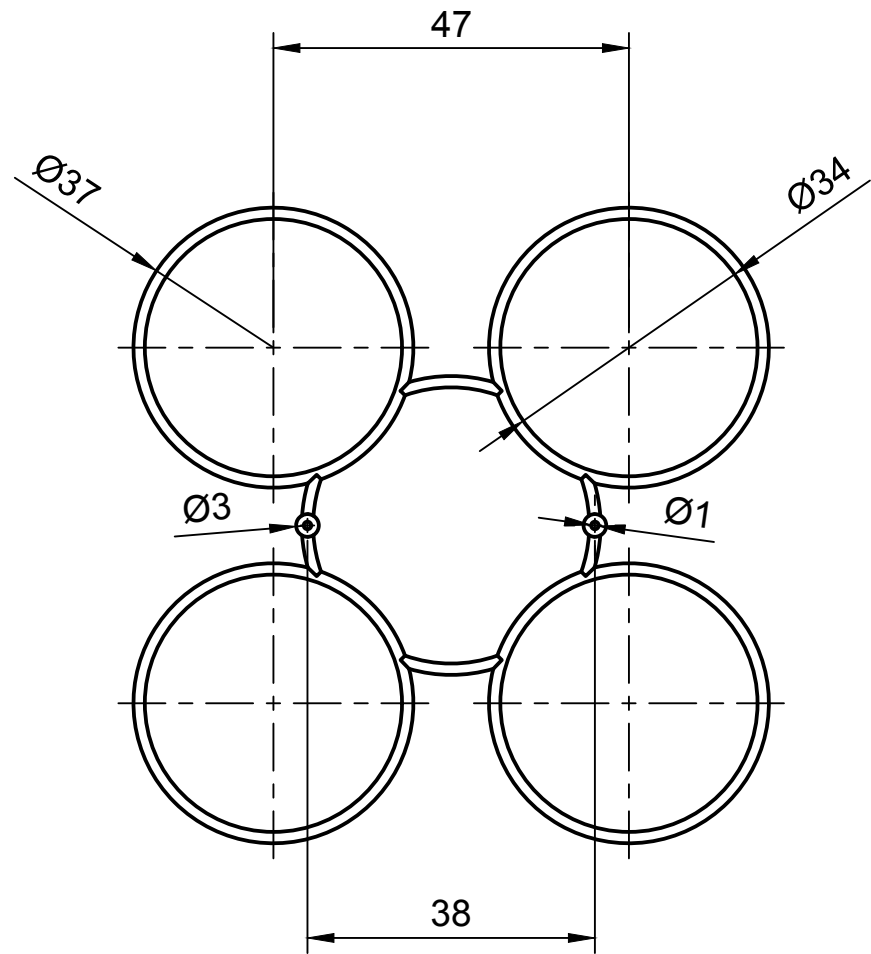
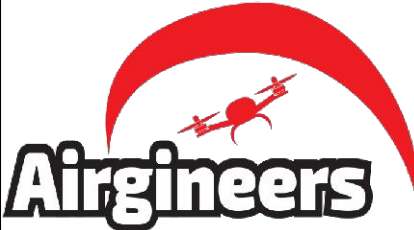


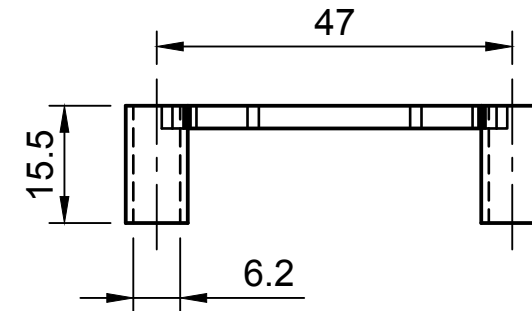
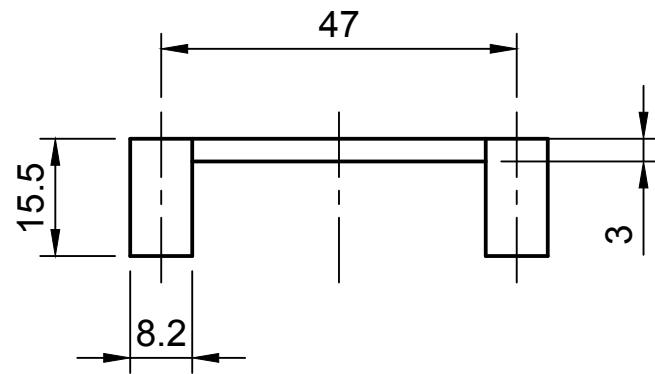
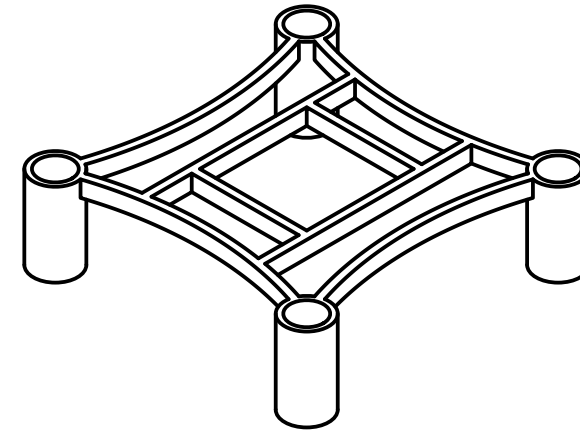
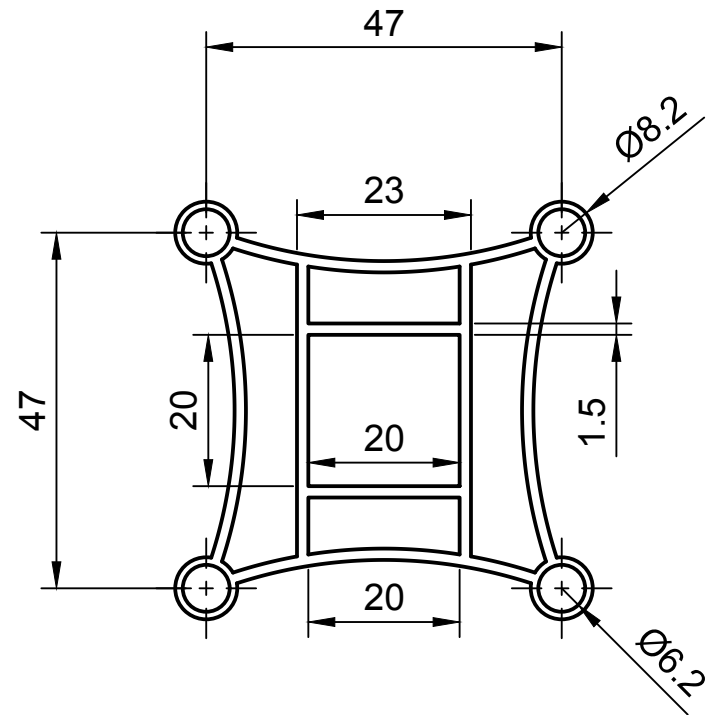
**Drone Chassis**  
**Printing Tolerance +0.2mm**

Dept. Design	Technical reference Autodesk	Created by Airineers 01/11/2018	Approved by Mark 01/11/2018
		Document type Drone Example Guide	Document status Published
		Title <b>Drone Chassis</b> Airineers Guide	
Rev. 1	Date of issue 02/11/2018	Sheet 1/7	




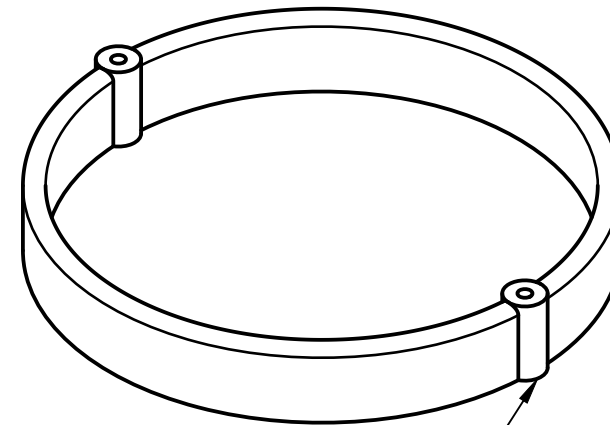
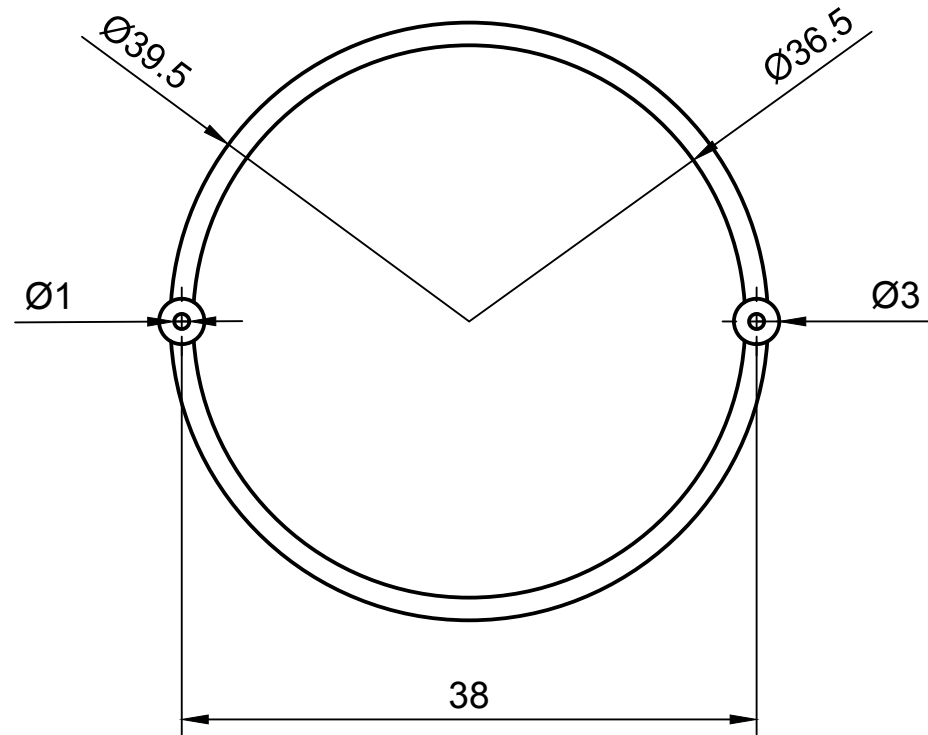
### Drone Top ( Ductings and PCB Mouting)

Dept. Design	Technical reference Autodesk	Created by Airineers 01/11/2018	Approved by Mark 01/11/2018
		Document type Drone Example Guide	Document status Published
		Title Drone Top Half Airineers Guide	DWG No.  0002
Rev. 1	Date of issue 02/11/2018	Sheet 2/7	

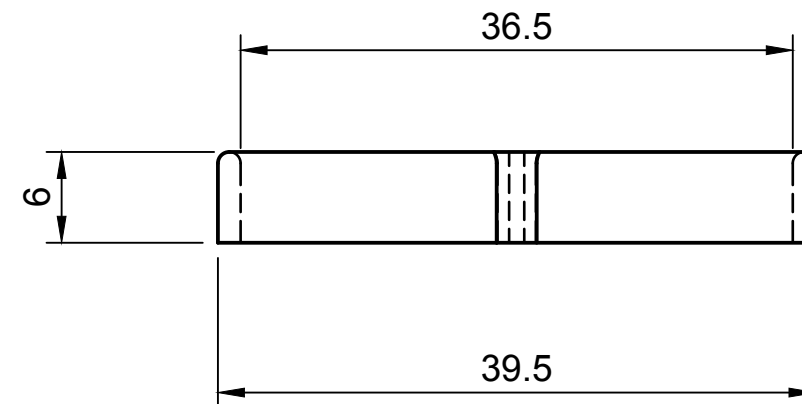


**Drone Bottom Half - (Motor Mounting & Battery Tray)**  
**Printing Tolerance - +0.2mm**

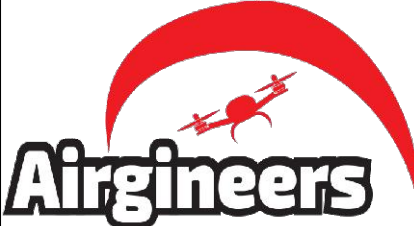
Dept. Design	Technical reference Autodesk	Created by Airineers 01/11/2018	Approved by Mark 01/11/2018
		Document type Drone Example Guide	Document status Published
		Title Airineers Guide	
Rev. 1	Date of issue 02/11/2018	Sheet 3/7	

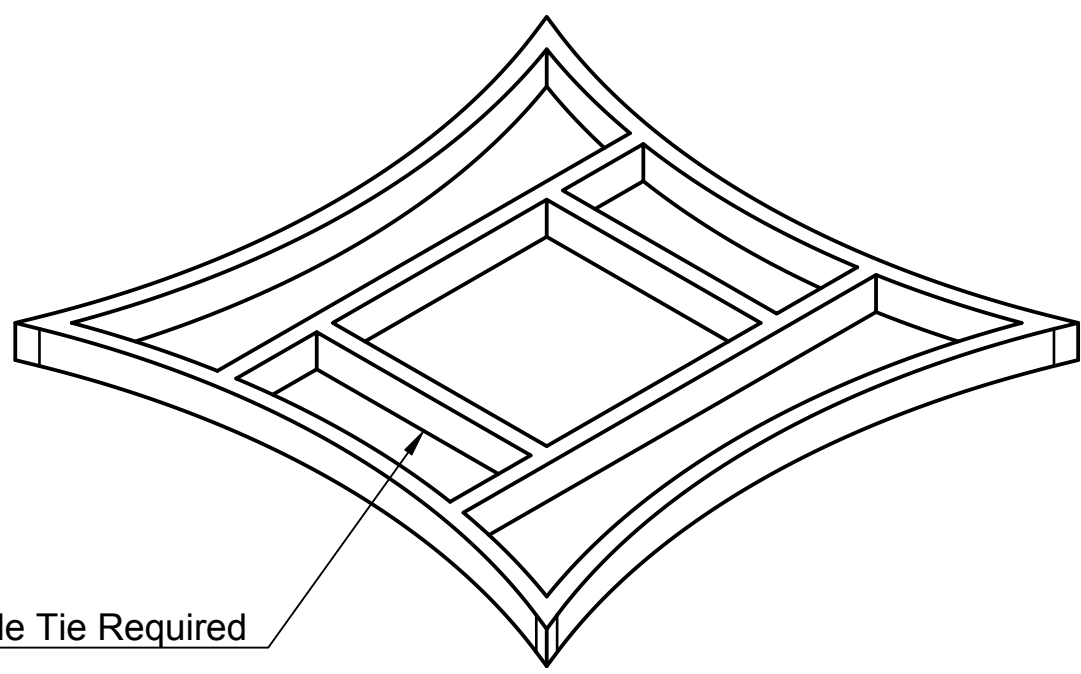
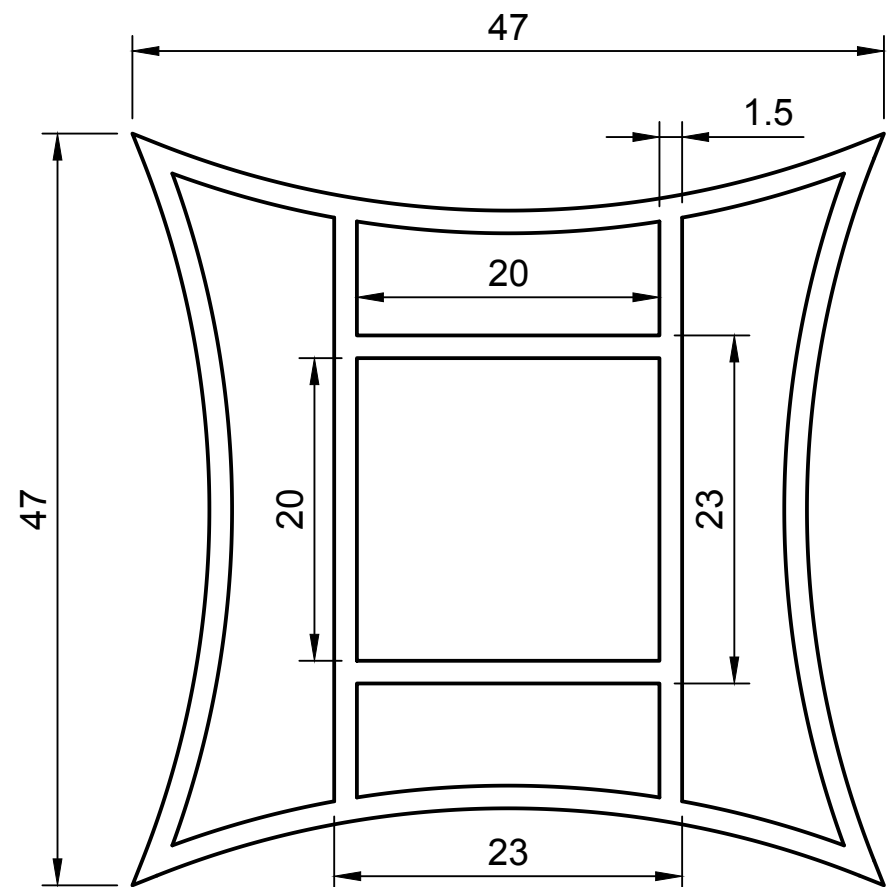


Mounts Flight Controller

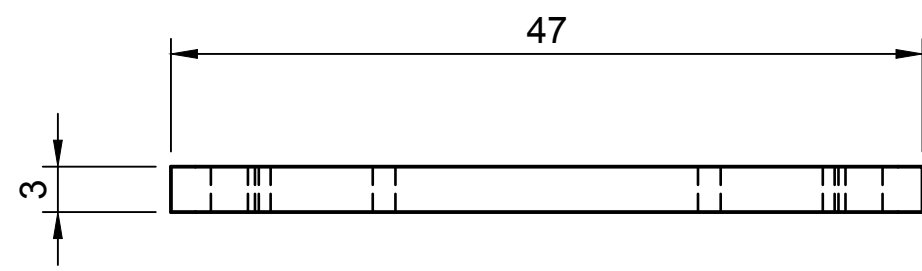
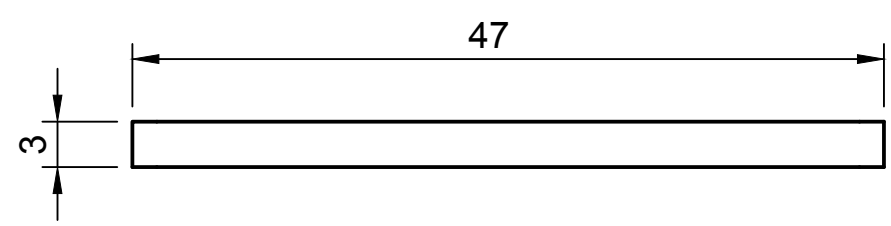


**PCB Mounting**  
**Mounting to two points**  
**2 or more mountings required**  
**Screw Hole Diameter - 1 - 1.5mm**


Dept. Design	Technical reference Autodesk	Created by Airineers 01/11/2018	Approved by Mark 01/11/2018
		Document type Drone Example Guide	Document status Published
		Title PCB Mounting Airineers Guide	DWG No.  0004
Rev. 1	Date of issue 02/11/2018	Sheet 4/7	

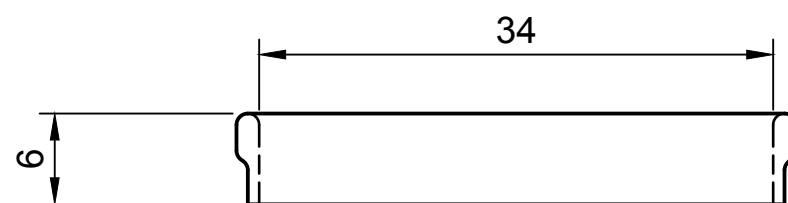
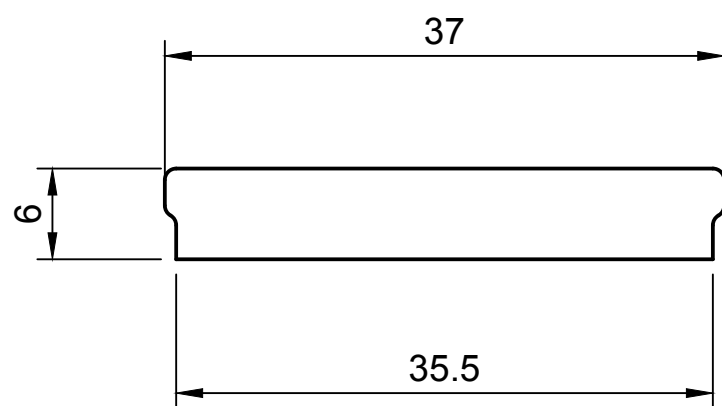
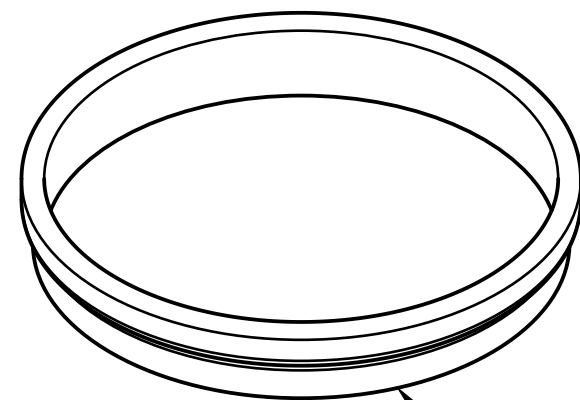
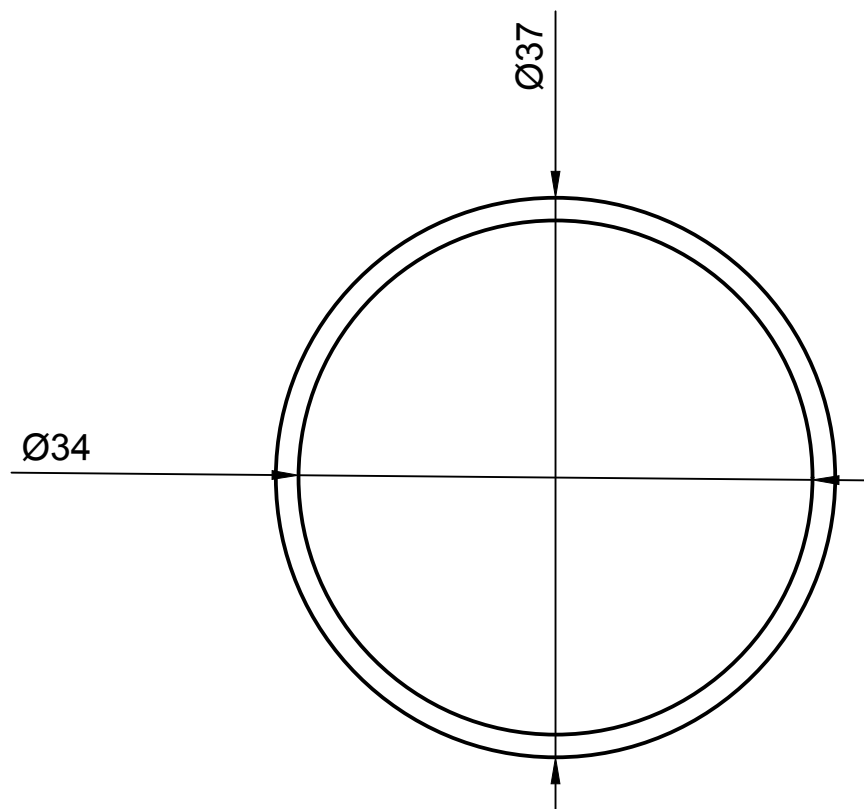


Holds Battery - Cable Tie Required




**Battery Tray/ Holder**  
**Battery is required to slide in and out**

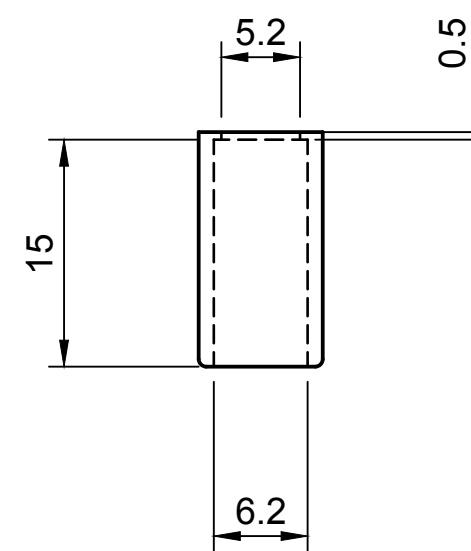
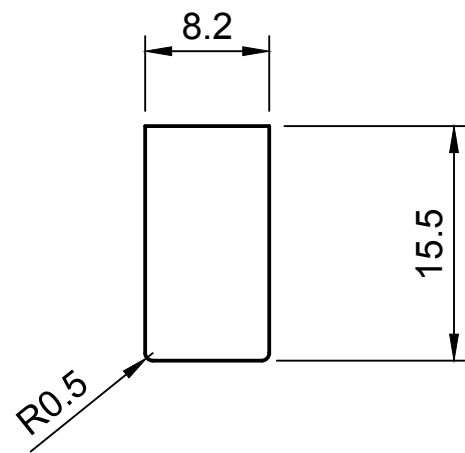
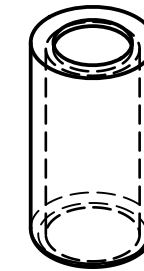
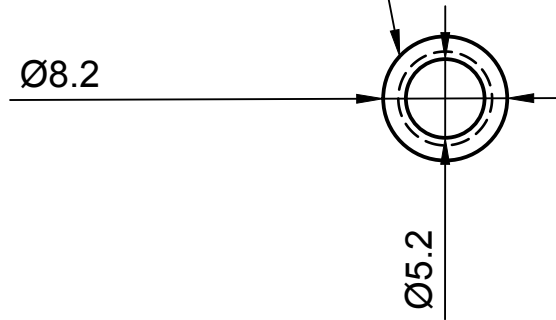
Dept. Design	Technical reference Autodesk	Created by Airineers 01/11/2018	Approved by Mark 01/11/2018
		Document type Drone Example Guide	Document status Published
		Title Battery Tray Airineers Guide	DWG No. 0005
Rev. 1	Date of issue 02/11/2018	Sheet 5/7	



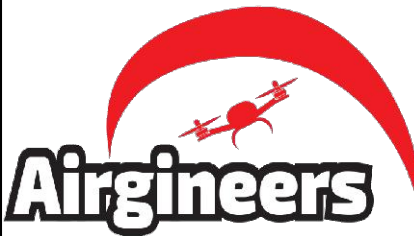
**1 of 4 Ductings Required  
Blade Clearance 34mm**

Dept. Design	Technical reference Autodesk	Created by Airineers 01/11/2018	Approved by Mark 01/11/2018
		Document type Drone Example Guide	Document status Published
		Title Ducting Airineers Guide	
Rev. 1	Date of issue 02/11/2018	Sheet 6/7	

Prevents Motor coming apart from drone



**1 of 4 Motors Mountings Required**  
**Motor Diameter: 6mm**  
**Tolerance: +0.2mm**  
**(Please check your printer)**

Dept. Design	Technical reference Autodesk	Created by Airineers 01/11/2018	Approved by Mark 01/11/2018
		Document type Drone Example Guide	Document status Published
		Title <b>Motor Mounting</b> Airineers Guide	
Rev. 1	Date of issue 02/11/2018	DWG No. <b>0007</b>	
		Sheet 7/7	