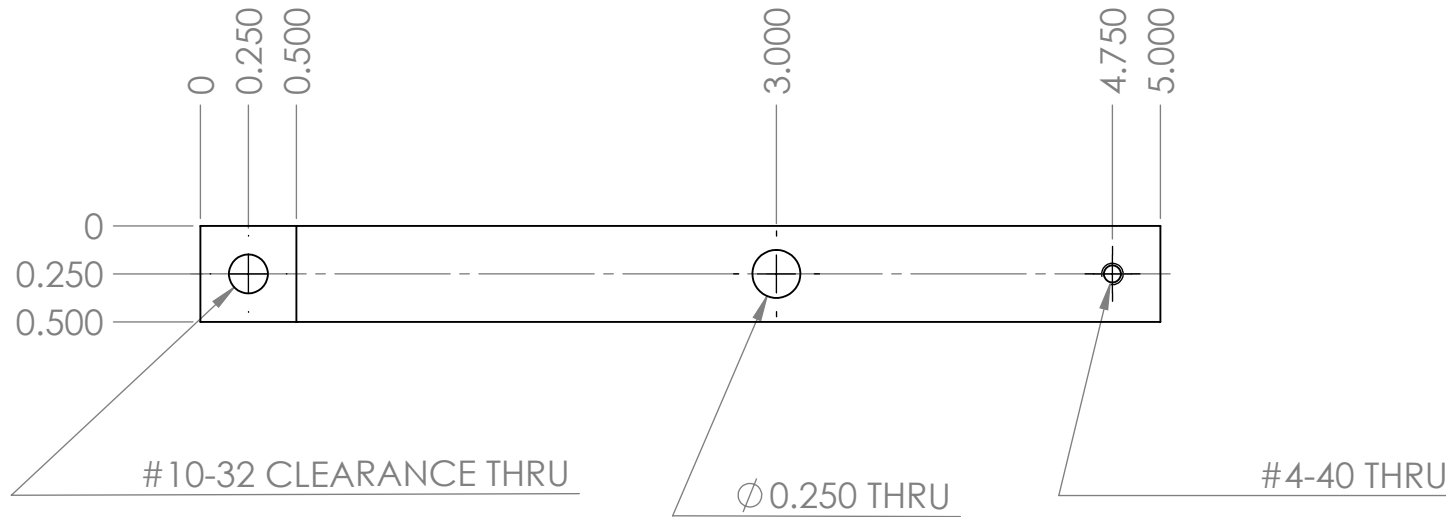
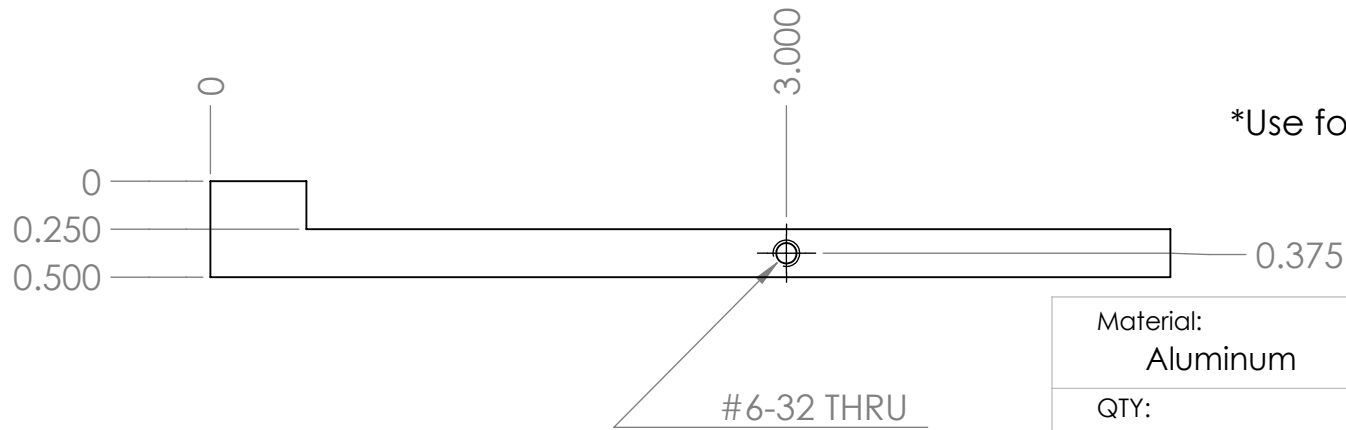


*Use for Right Config



*Use for Left Config



Material: Aluminum	TITLE: Tension Bracket	
QTY: 2	DWG. NO. part1	
SCALE: 1:5	REV: 1	SHEET 1 OF 1