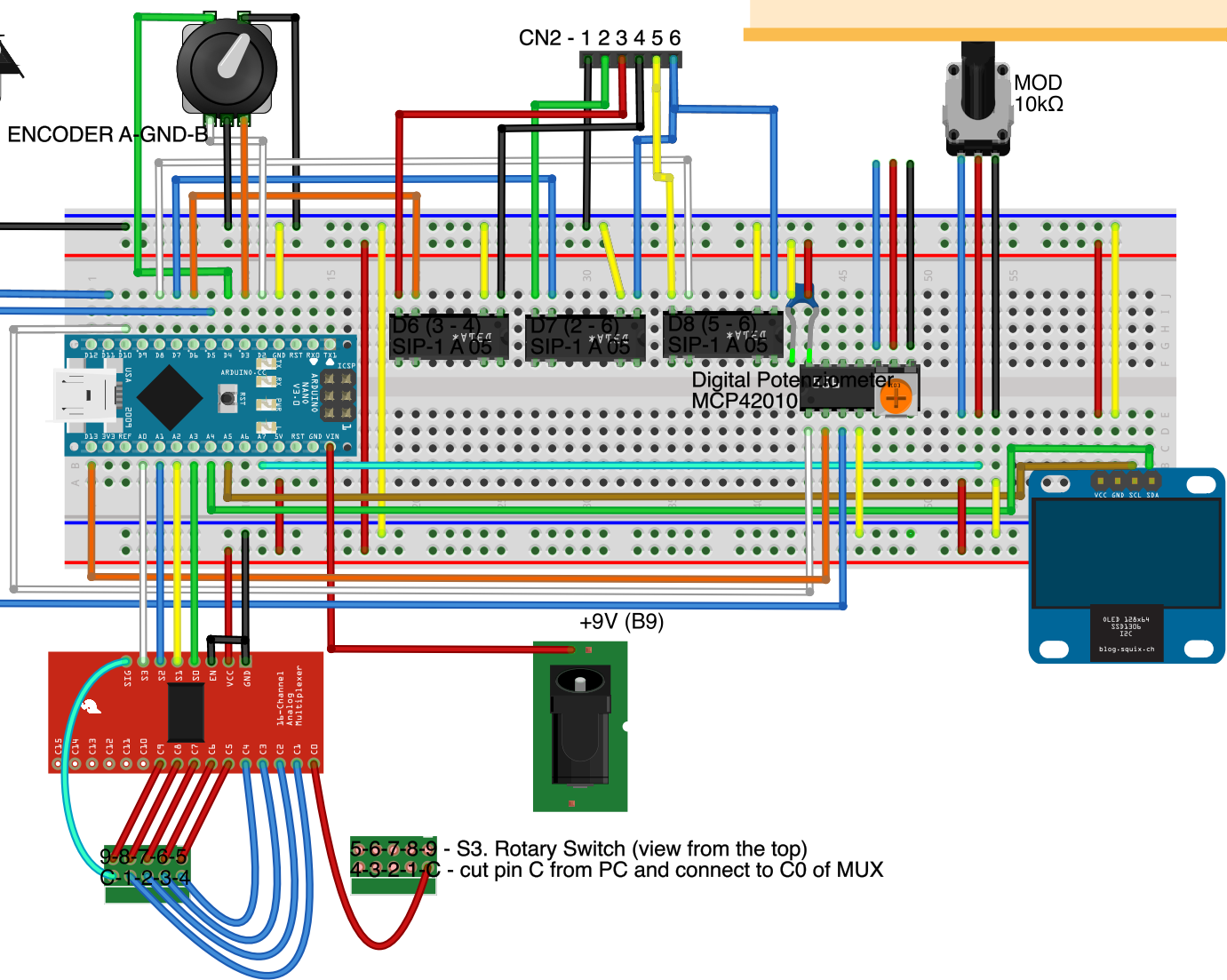


EHX B9 - cut the 3 pins of MOD Pot. - connect the PC points to the Digital Pot - connect the MOD pot. to the INPUT A7

FOOTSWITCH



ENCODER A GND-B

CN2 - 1 2 3 4 5 6

MOD 10kΩ

D6 (3 - 4) SIP-1 A 05
D7 (2 - 6) SIP-1 A 05
D8 (5 - 6) SIP-1 A 05

Digital Potentiometer MCP42010

+9V (B9)

9-8-7-6-5
C-1-2-3-4

6-6-7-8-9 - S3. Rotary Switch (view from the top)
4-3-2-1-C - cut pin C from PC and connect to C0 of MUX