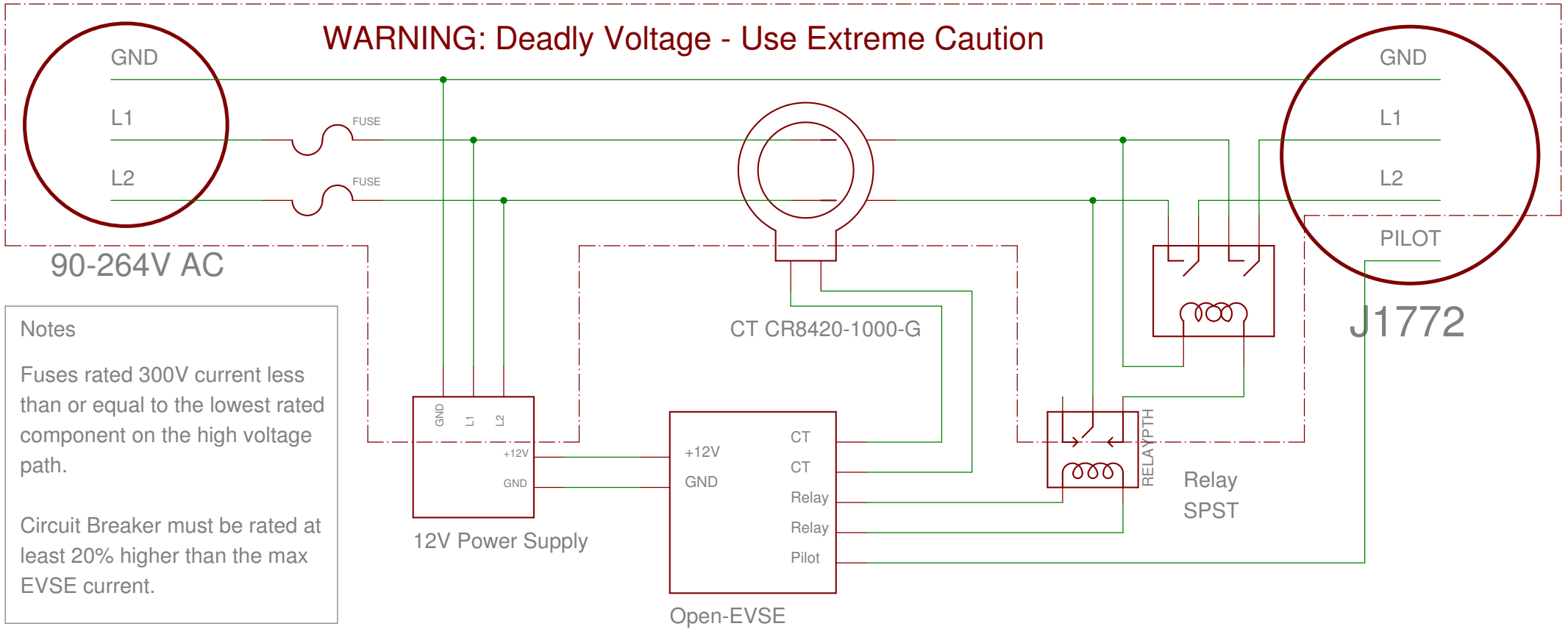


WARNING: Deadly Voltage - Use Extreme Caution



Notes

Fuses rated 300V current less than or equal to the lowest rated component on the high voltage path.

Circuit Breaker must be rated at least 20% higher than the max EVSE current.