

1

2

3

4

5

6

7

A

A

B

B

C

C

D

D

E

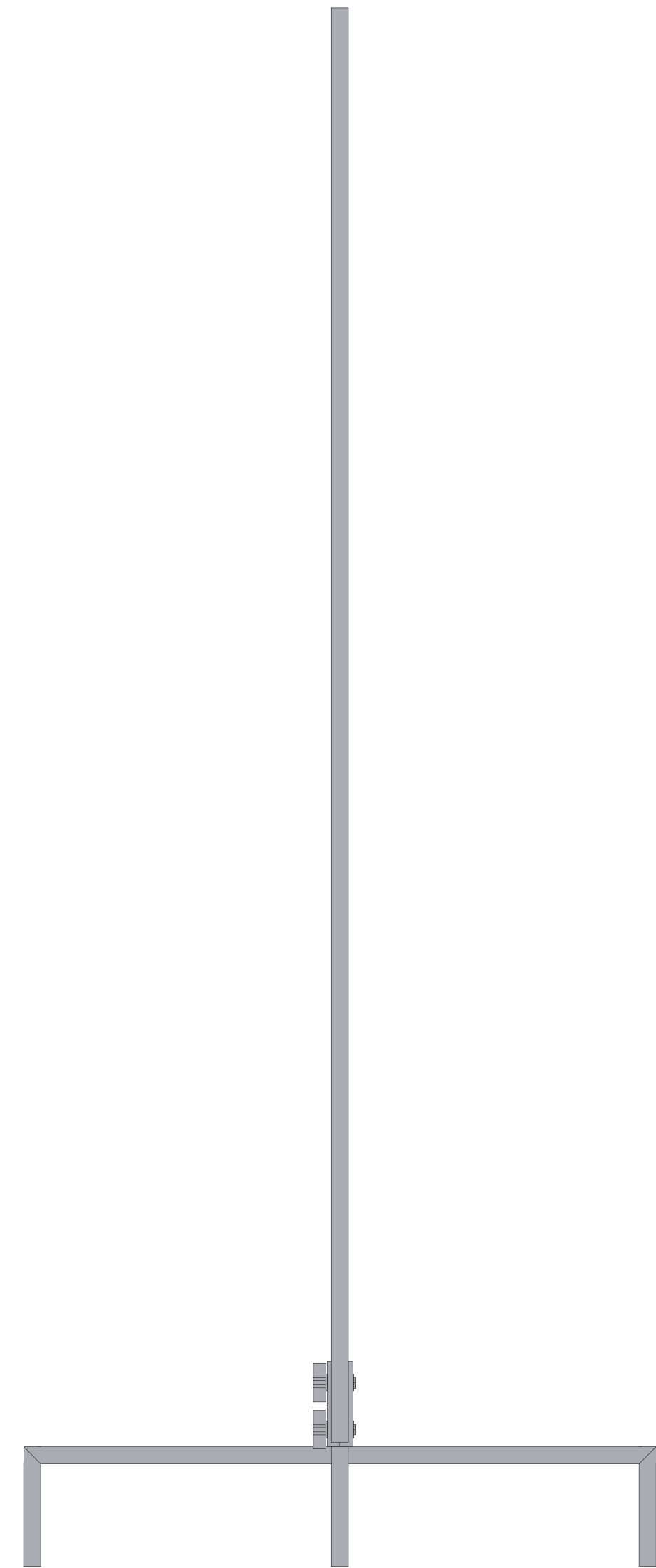
E

Front View

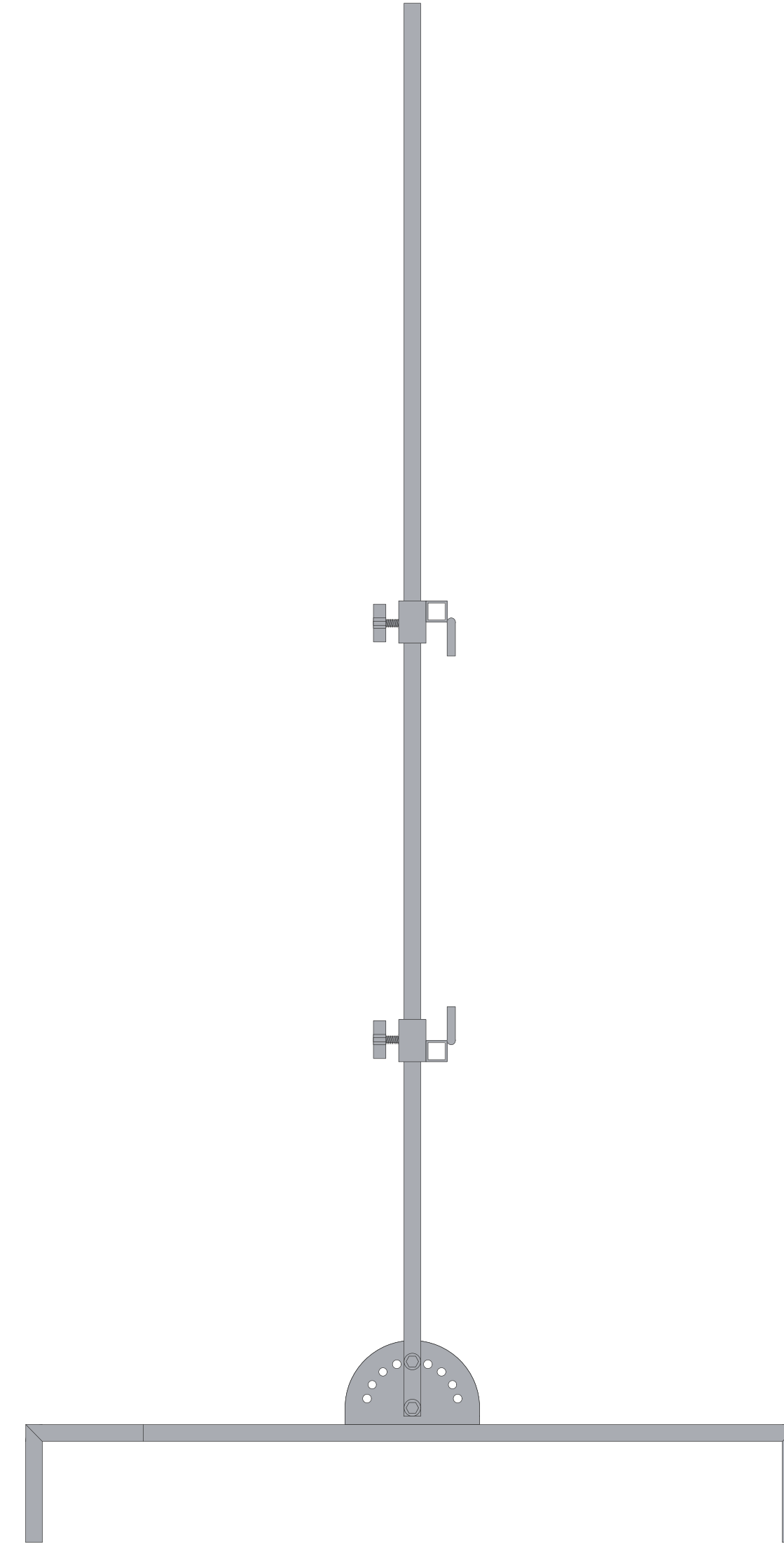
Left Hand View

Right Hand View

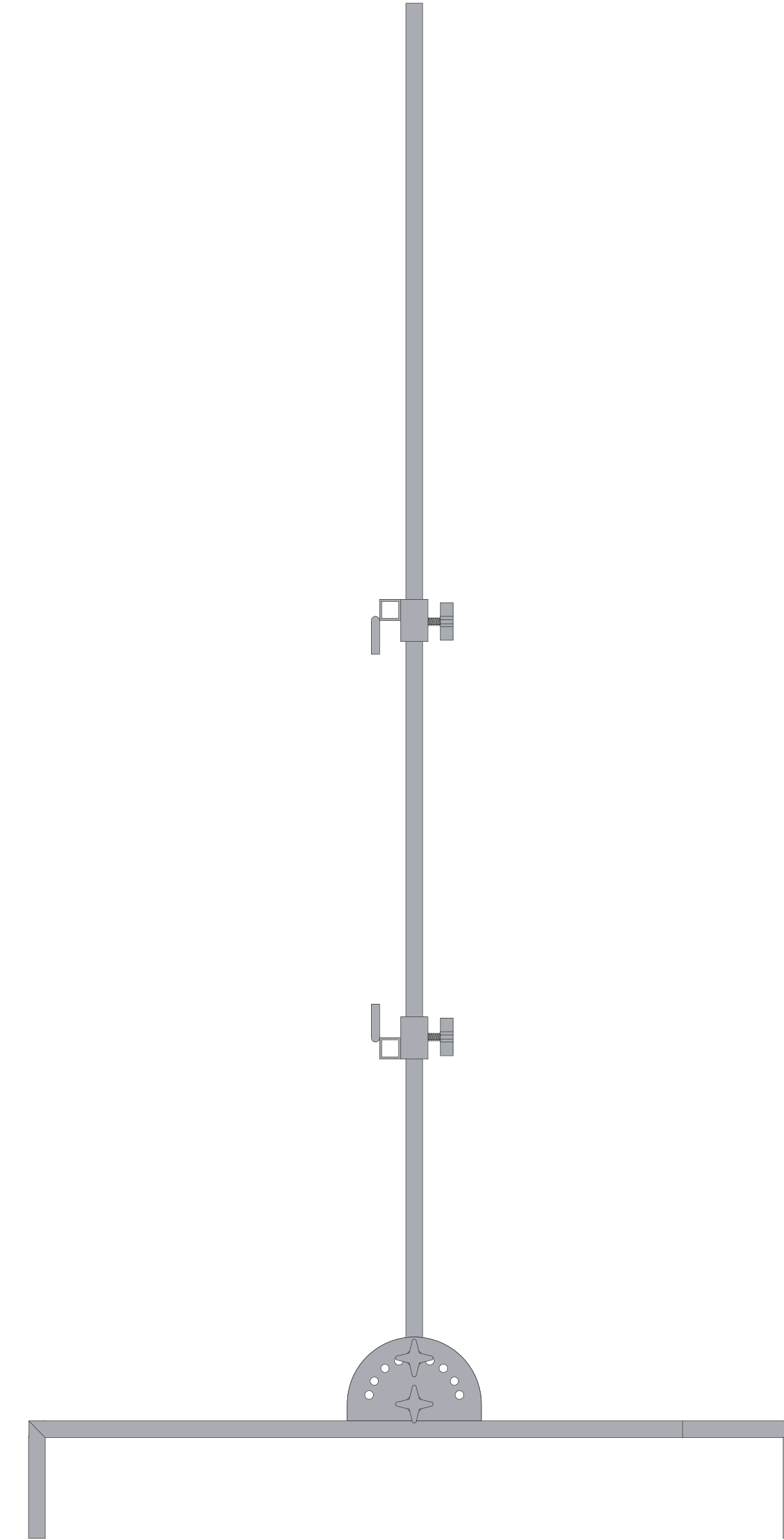
7'-7 1/4"



3'-1"



3'-10"



3'-10"

Notes:  
 1. Screw handles will need to be sourced.  
 2.

Final Assembly  
 Plate 1 of 5  
 Culbreth Theatre  
 September 2015  
 Scale: 1 1/2"=1' Version: 1 9/21/2015

UVA Drama Presents  
**Special Topics**  
 in  
**Technical**  
 Direction

Director  
 Steve Warner

Designer  
 Matthew Ishee

1 2 3 4 5 6 7

A

B

C

D

E

A

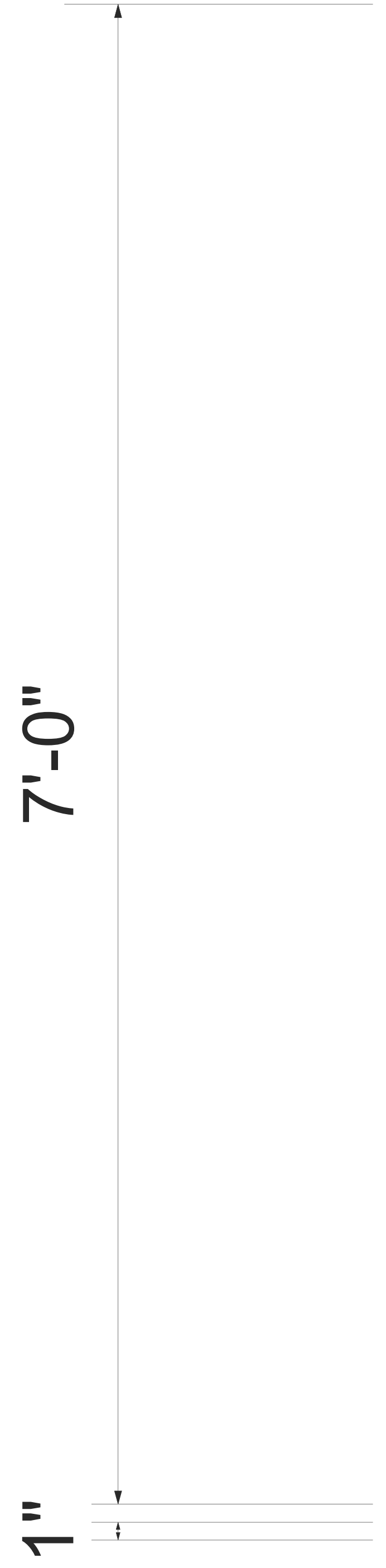
B

C

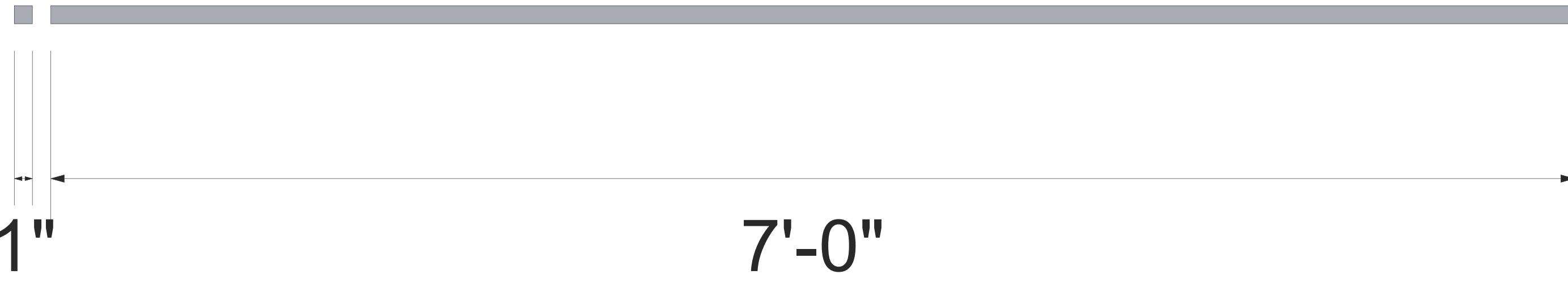
D

E

Front View



Side View



Plan View

Notes:  
 1. Screw handles will need to be sourced.  
 2.

Central Shaft  
 Plate 2 of 5  
 Culbreth Theatre  
 September 2015  
 Scale: 2"=1'    Version: 1    9/21/2015

UVA Drama Presents  
**Special Topics  
 in  
 Technical  
 Direction**

Director  
 Steve Warner

Designer  
 Matthew Ishee

1 2 3 4 5 6 7

1

2

3

4

5

6

7

A

A

B

B

C

C

D

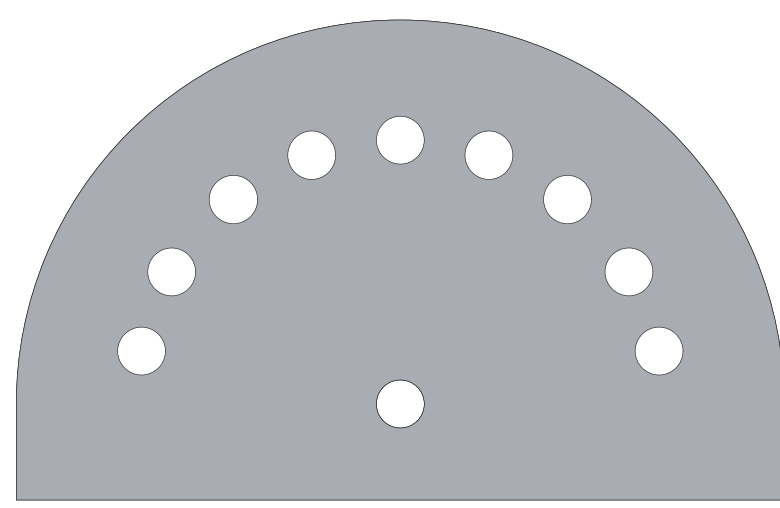
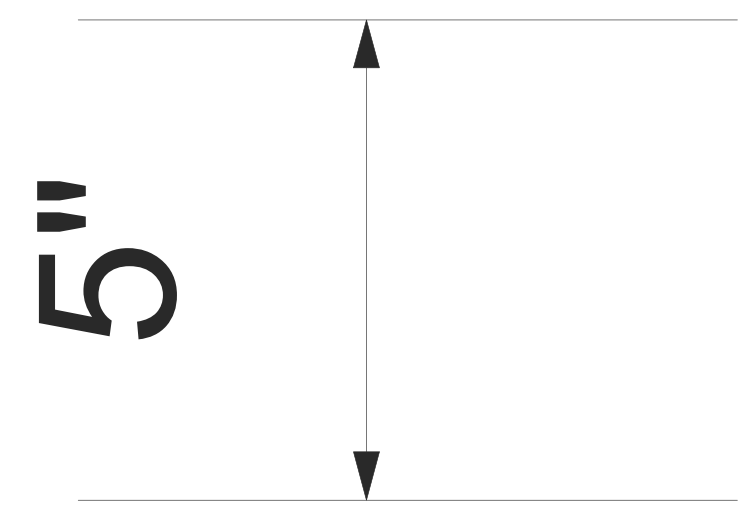
D

E

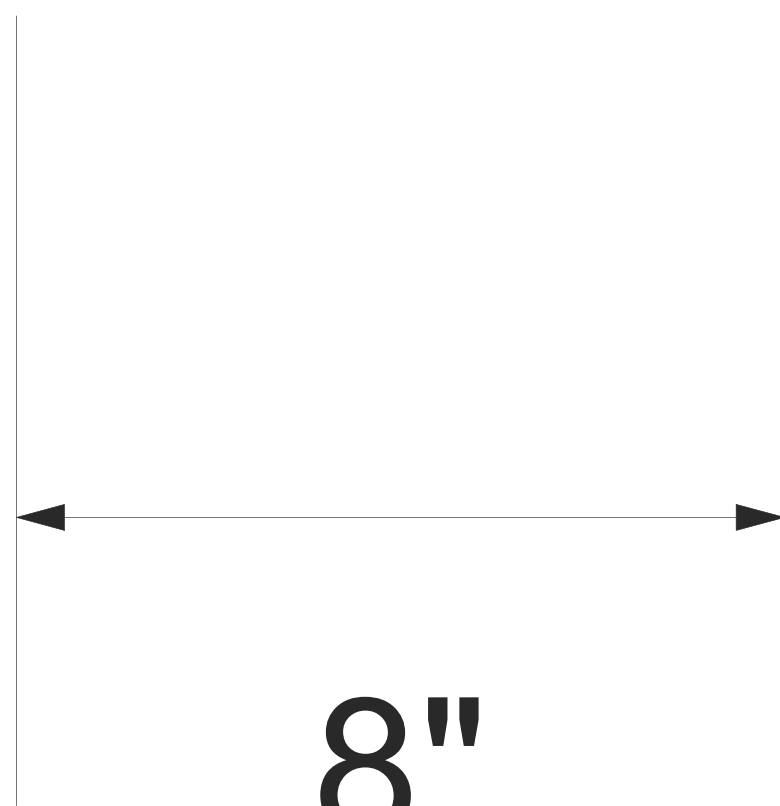
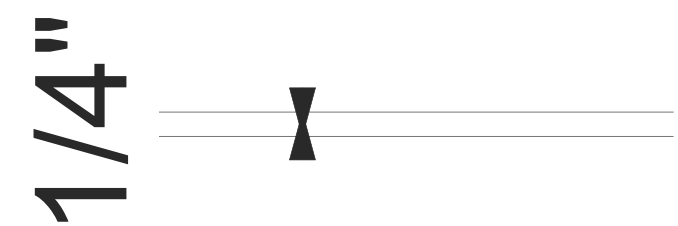
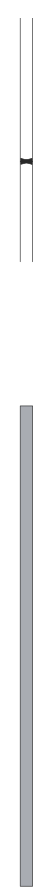
E

Left Hand View

Front View



1/8"



Plan View

Notes:  
 1. Screw handles will need to be sourced.  
 2.

Flange Assembly  
 Plate 3 of 5  
 Culbreth Theatre  
 September 2015  
 Scale: 4":1" Version: 1 9/21/2015

UVA Drama Presents  
**Special Topics**  
 in  
**Technical**  
 Direction

Director  
 Steve Warner

Designer  
 Matthew Ishee

1

2

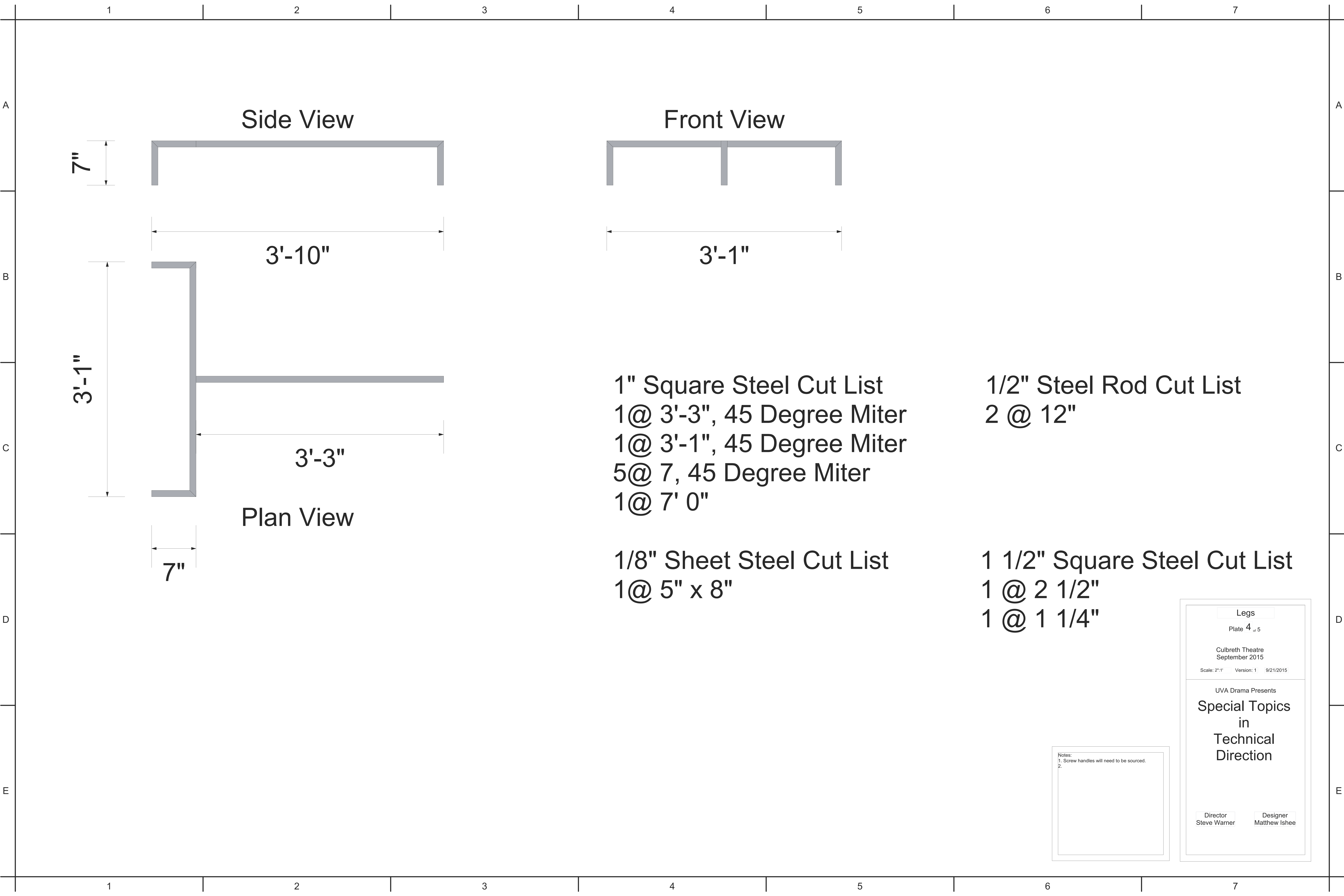
3

4

5

6

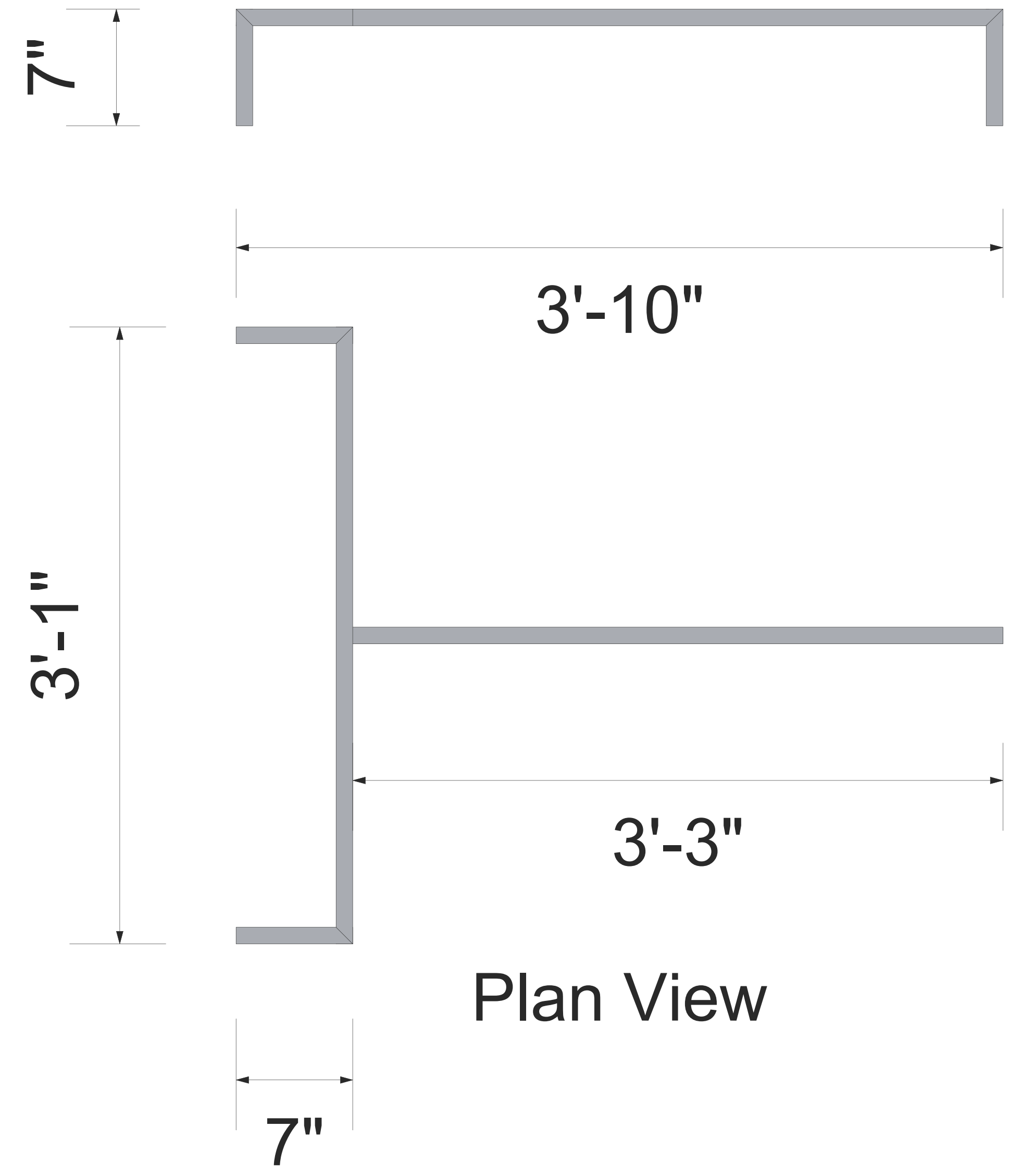
7



Side View

Front View

Plan View



- 1" Square Steel Cut List  
 1 @ 3'-3", 45 Degree Miter  
 1 @ 3'-1", 45 Degree Miter  
 5 @ 7, 45 Degree Miter  
 1 @ 7' 0"

- 1/2" Steel Rod Cut List  
 2 @ 12"

- 1/8" Sheet Steel Cut List  
 1 @ 5" x 8"

- 1 1/2" Square Steel Cut List  
 1 @ 2 1/2"  
 1 @ 1 1/4"

Notes:  
 1. Screw handles will need to be sourced.  
 2.

Legs  
 Plate 4 of 5  
 Culbreth Theatre  
 September 2015  
 Scale: 2":1 Version: 1 9/21/2015  
 UVA Drama Presents  
**Special Topics  
 in  
 Technical  
 Direction**  
 Director  
 Steve Warner  
 Designer  
 Matthew Ishee

1 2 3 4 5 6 7

A

B

C

D

E

A

B

C

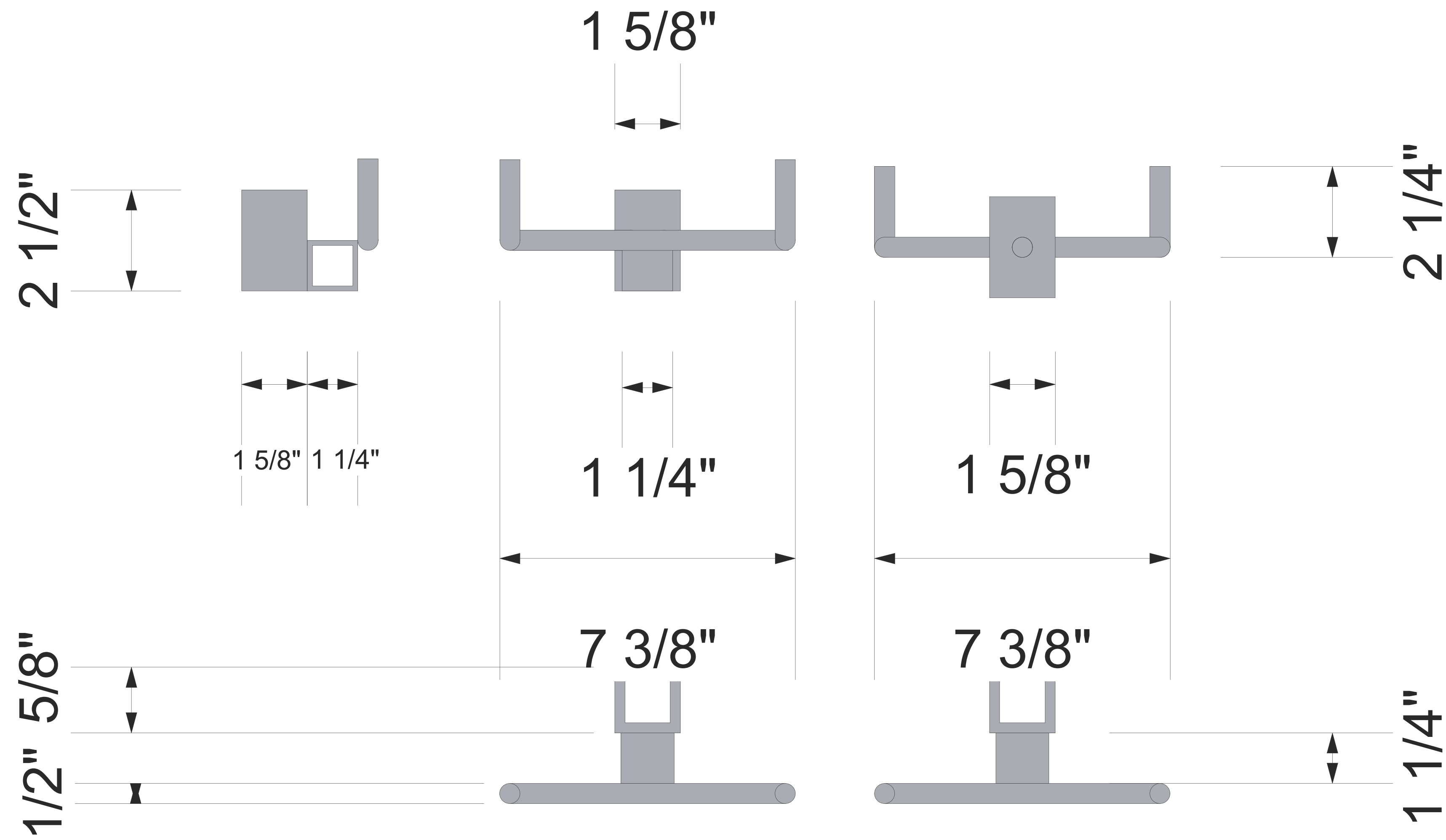
D

E

Side View

Front View

Rear View



Top View  
(With Holes)

Top View

Notes:  
 1. Screw handles will need to be sourced.  
 2.

Board Holders  
 Plate 5 of 5  
 Culbreth Theatre  
 September 2015  
 Scale: 4":1" Version: 1 9/21/2015

UVA Drama Presents  
**Special Topics  
 in  
 Technical  
 Direction**

Director  
 Steve Warner

Designer  
 Matthew Ishee

1 2 3 4 5 6 7