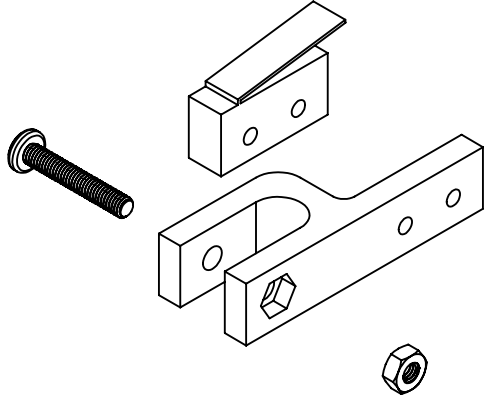


ITEM NO.	PART NUMBER	QTY.
1	Endstop Mount	1
2	M3 Hex Nut	1
3	M3 Pan Head x 18mm	1
4	Mechanical Endstop	1



COMMENTS:

2 Total

SIZE

**A**

TITLE:

**Endstop**

REV

SCALE: 1:1

SHEET 1 OF 1