

FIXPERTS



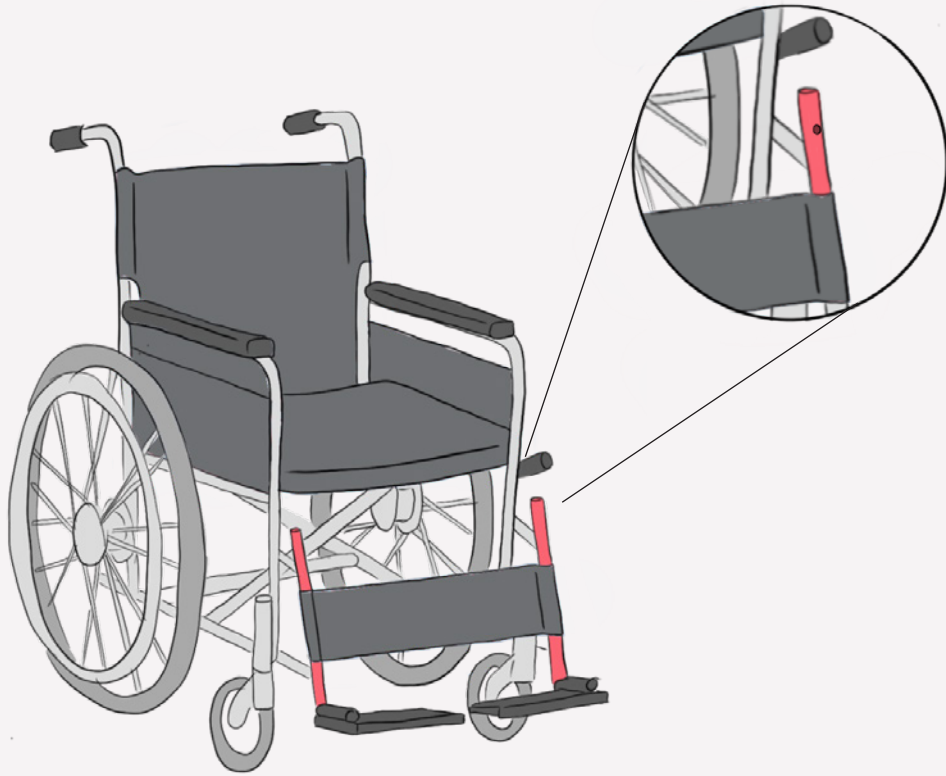
Face To Face Wheelchair

By: Guy Levakov and Adi Maoz

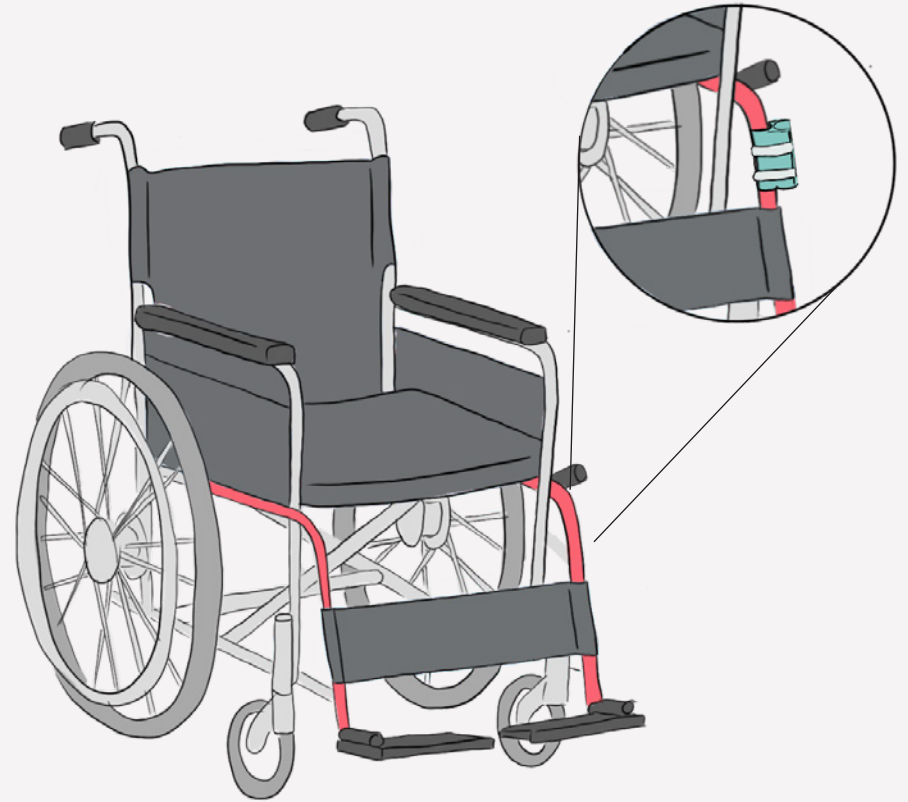
What you need

Step 1 - choose the right connector for your chair

Basic Handles



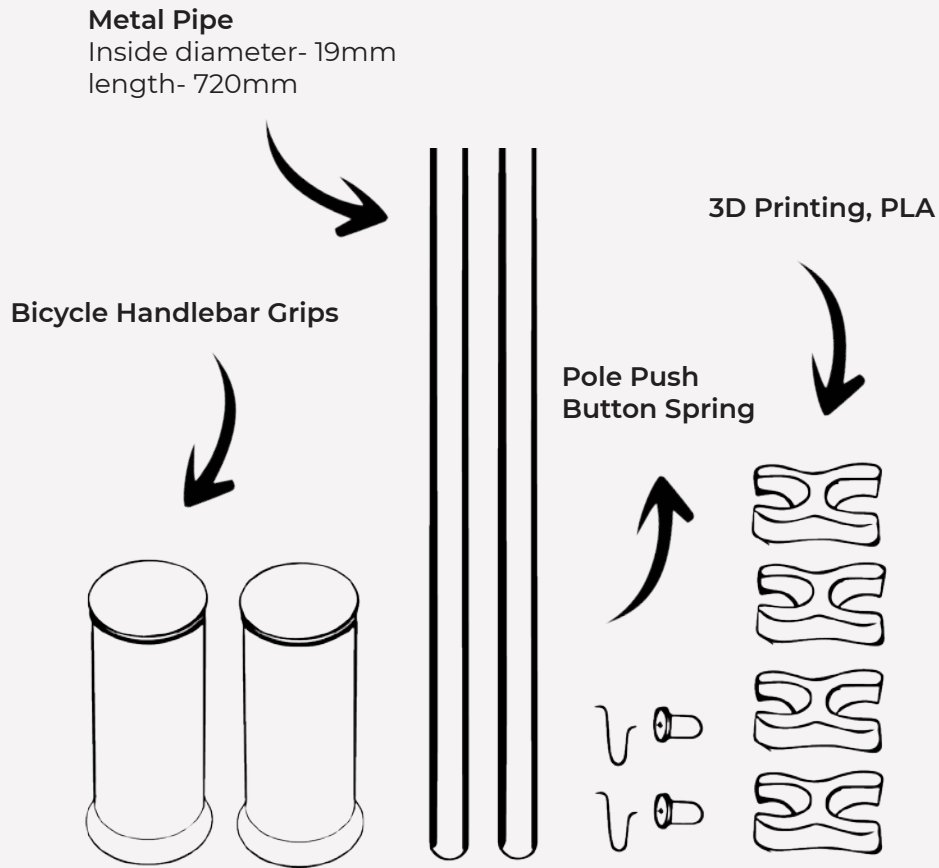
Optional Add-On Connector



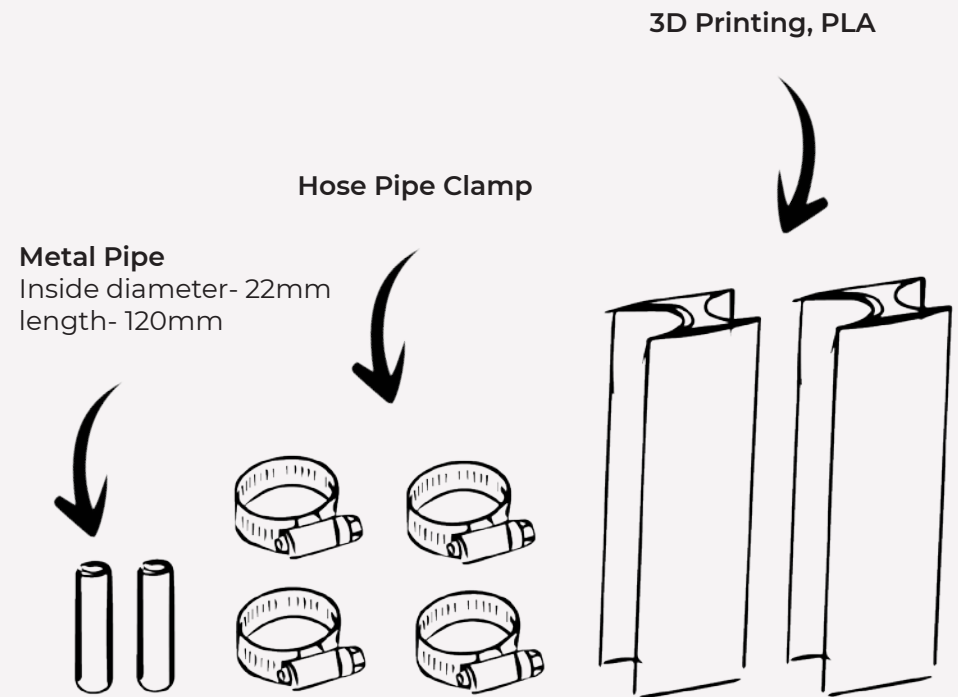
What you need

Materials list

Basic Handles



Optional Add-On Connector

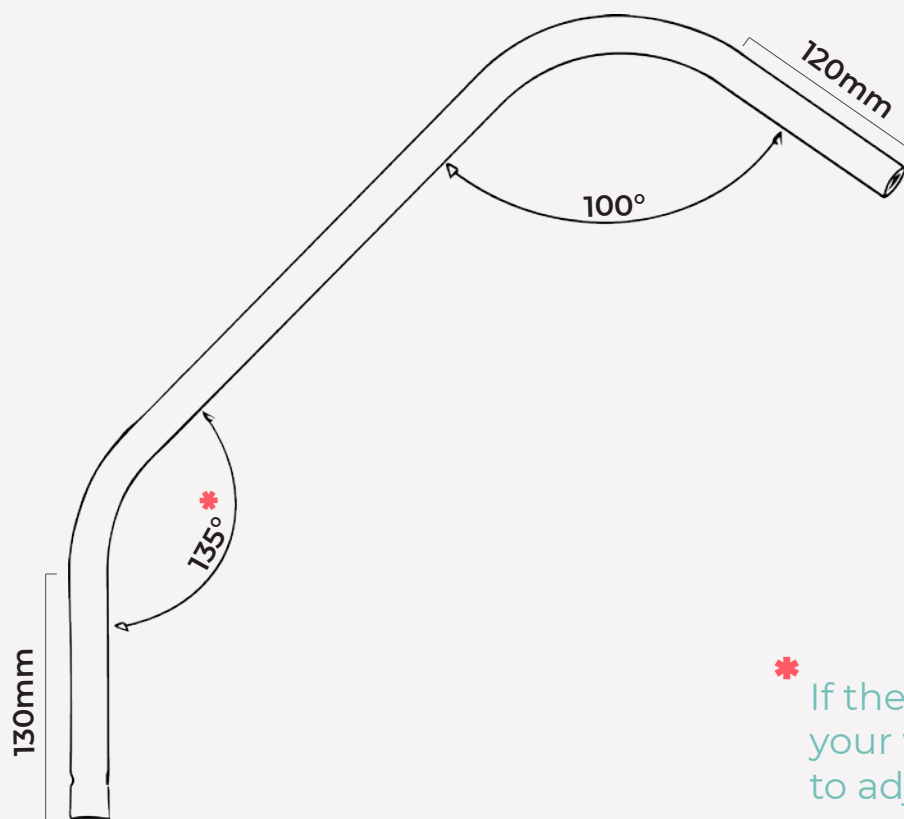


Step By Step

Instructions

Step 2

Bend the 720mm metal pipes for handles according to the angles here



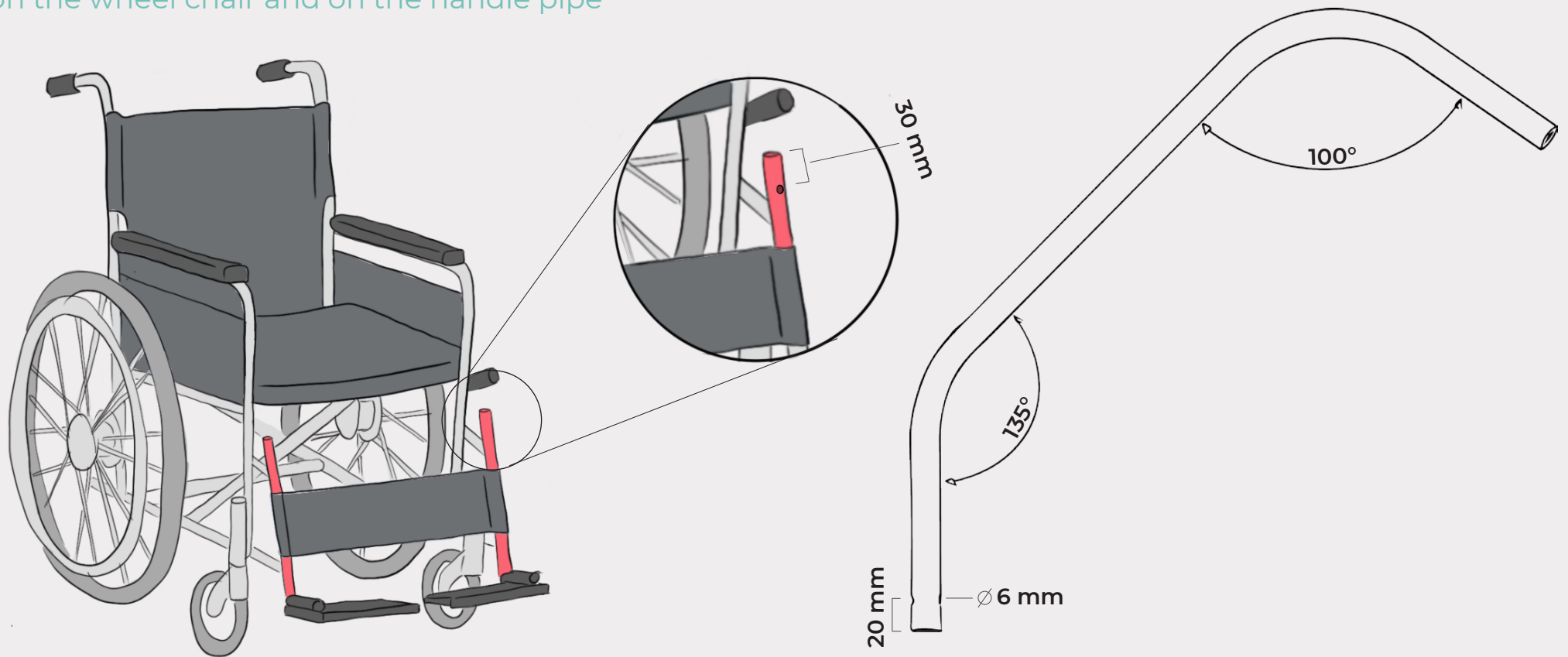
* If the place of connecting the handles to your wheelchair is not vertical, make sure to adjust this bending angle accordingly.

Step By Step

Instructions

Step 3

Drill a 6mm diameter hole in the marked place both on the wheel chair and on the handle pipe

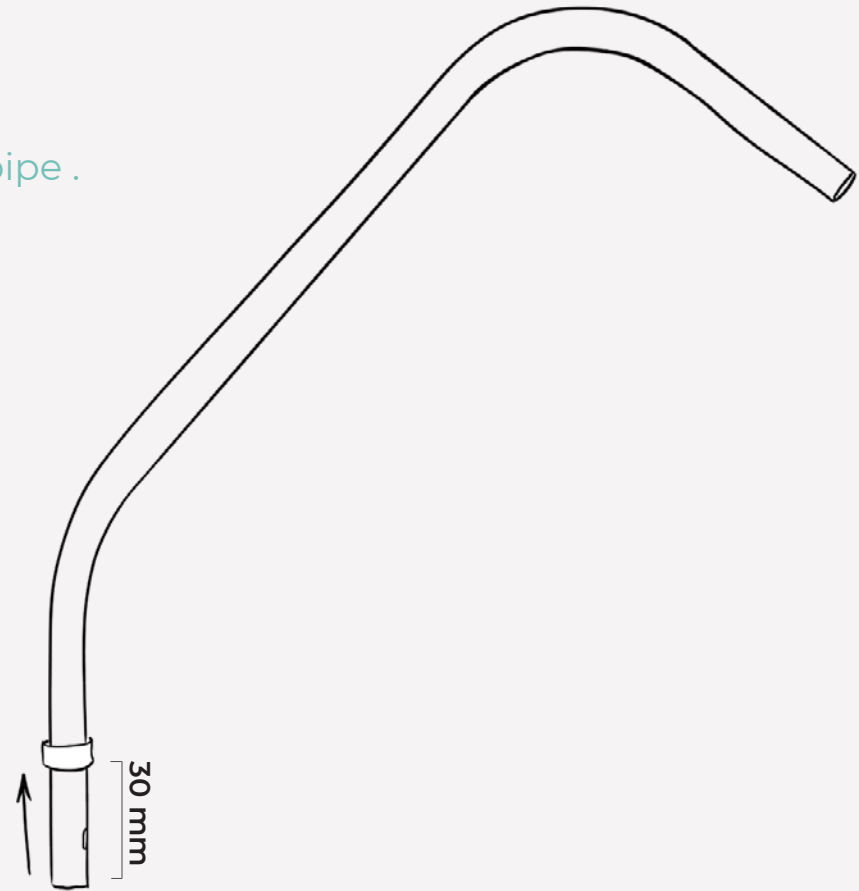
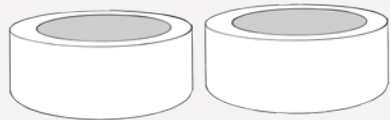


Step By Step

Instructions

Step 4

3D print the handle stoppers file attached
(STL file name : Handle stoppers)
Using a bit of pressure, place at 3 cm high on the handle pipe .

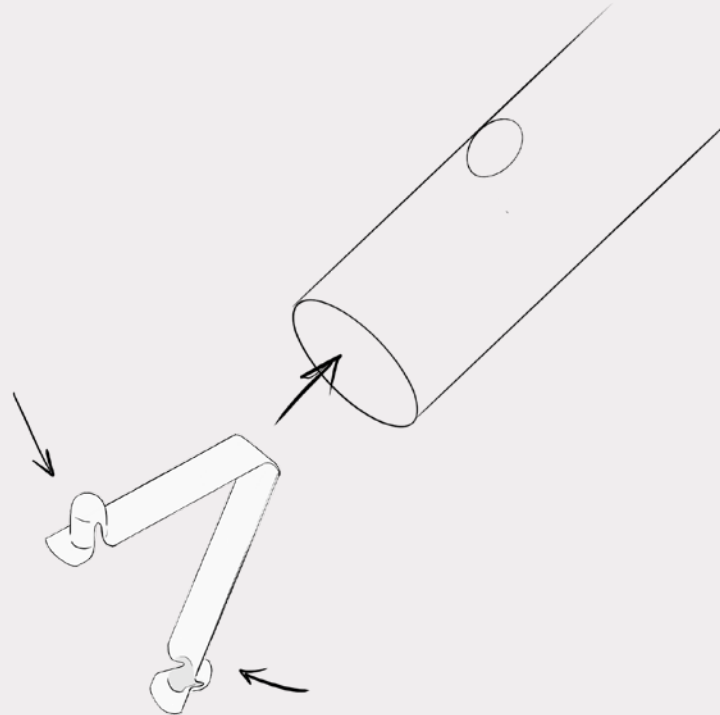


Step By Step

Instructions

Step 5

Insert the Pole push button spring into the handle pipe

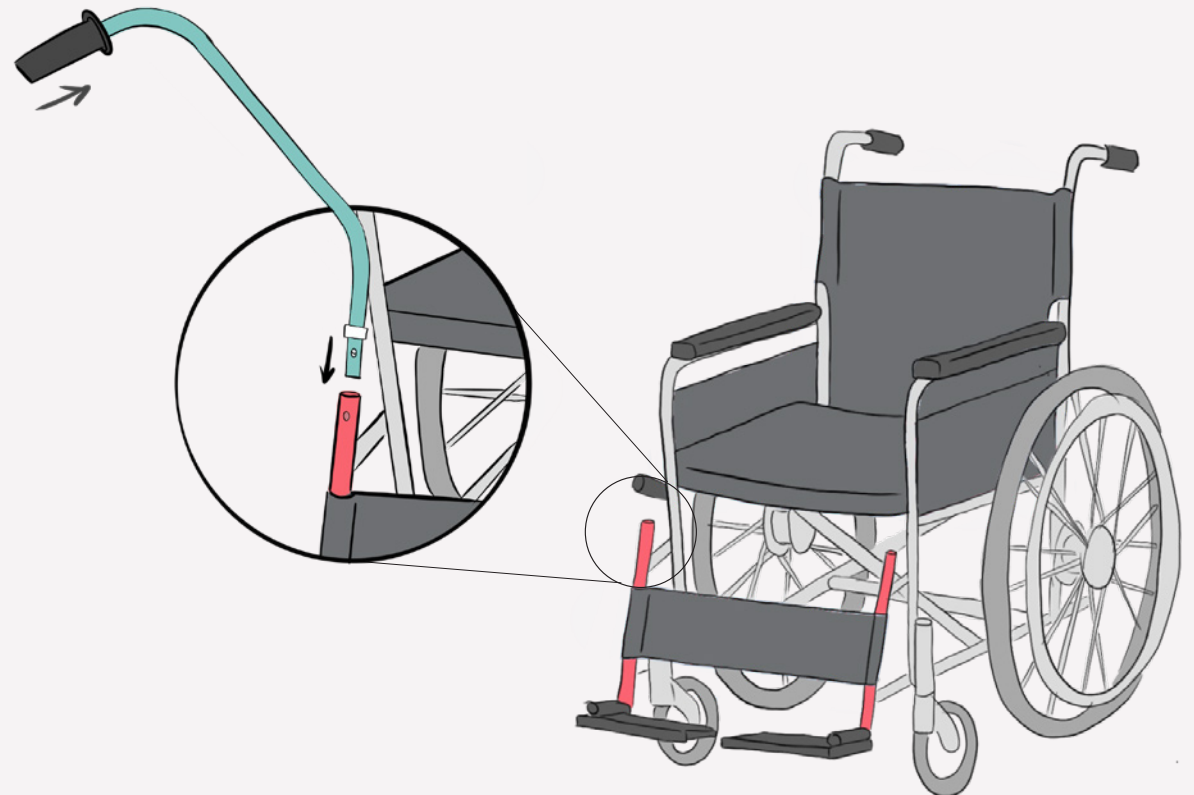


Step By Step

Instructions

Step 6 (For basic handle only)

Place the handlebar grips and insert the handle pipe into the wheelchair .
Enjoy the walk with your new Face to Face handles!

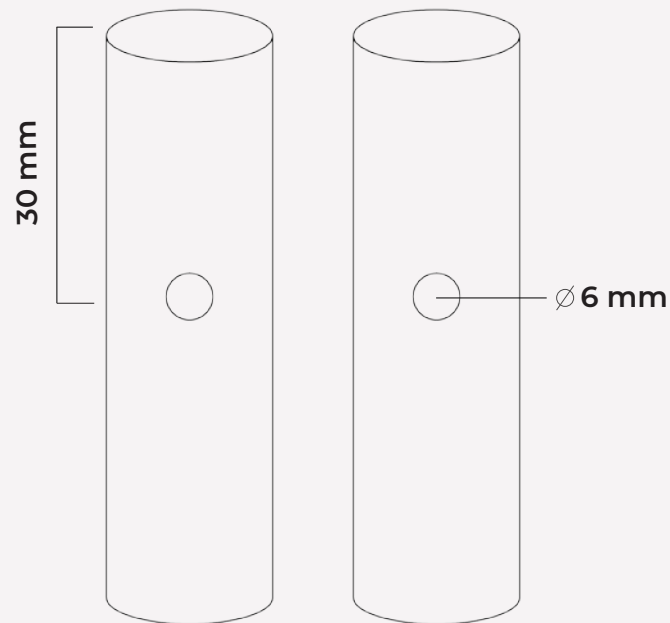


Step By Step

Instructions

Step 7 (For Add-on Connector)

Drill a 6 mm Diameter hole in the 150 mm length pipe

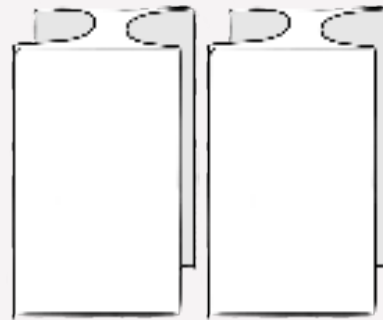


Step By Step

Instructions

Step 8 (For Add-on Connector)

3D print the connector part (STL part name: Add On Connector)

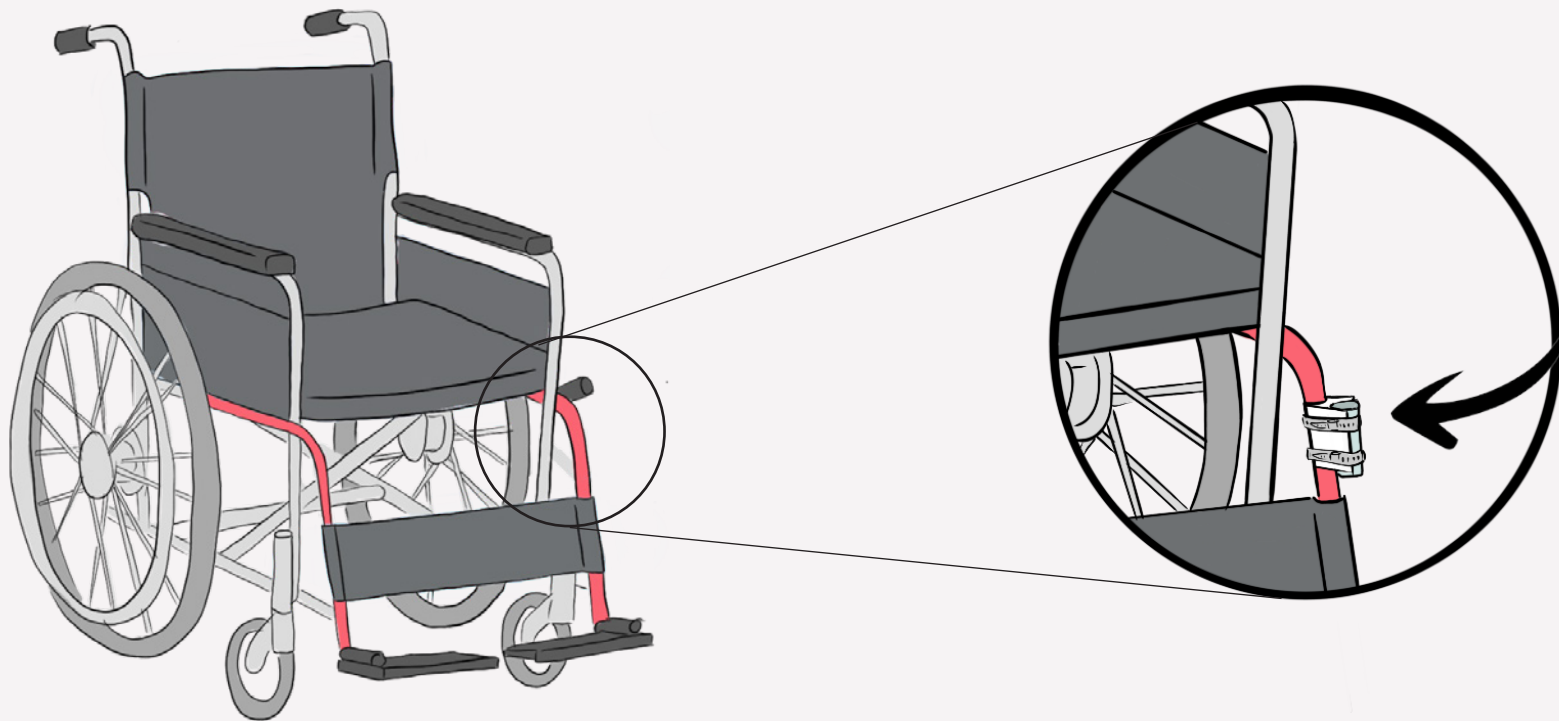


Step By Step

Instructions

Step 9 (For Add-on Connector)

Using the metal bands, connect the 3D printed connector part and the 150 mm metal pipe to the wheelchair.



Step By Step

Instructions

Step 10

Insert the handles and enjoy the walk with your new Face to Face handles!

