

SECTION A-A
SCALE 2 : 1

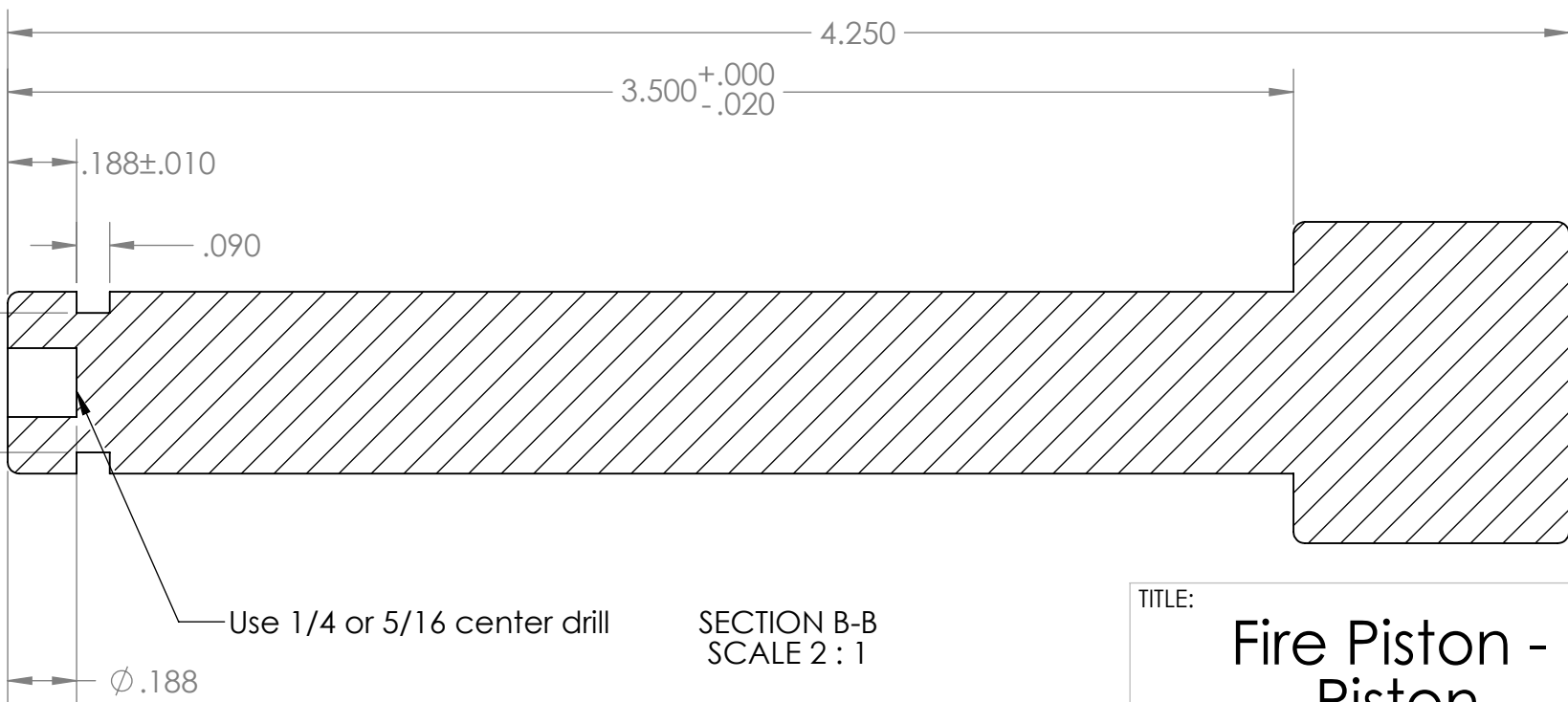
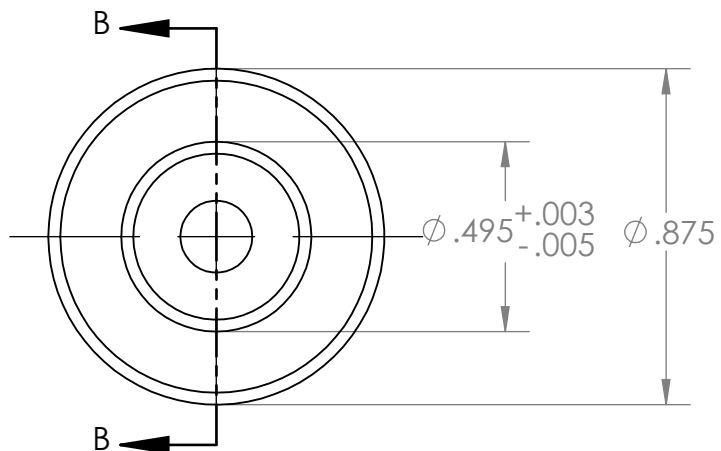
TITLE:		
Fire Piston - Cylinder		
SIZE	DWG. NO.	REV
A	FirPis001	1
SCALE: 1:2		SHEET 1 OF 2

2

1

B

B



A

A

SECTION B-B
SCALE 2 : 1

TITLE:
**Fire Piston -
 Piston**

SIZE	DWG. NO.	REV
A	FirPis002	1
SCALE: 1:2		SHEET 2 OF 2

2

1