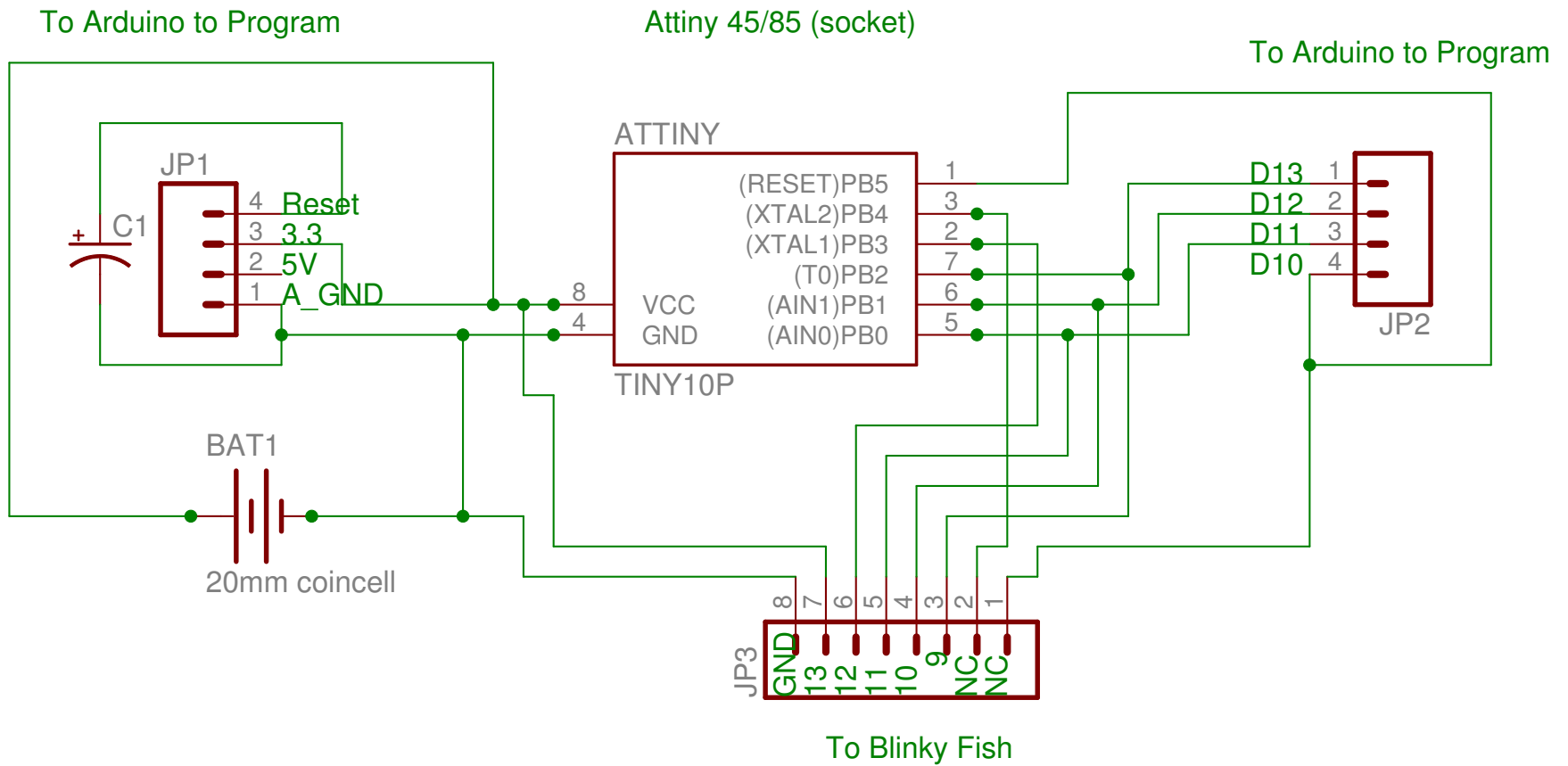


Attiny	-- Fish	-- LED
0	11	3
1	10	2
2	9	1
3	12	button
4	n/c	
5/Reset	n/c	



Attiny PB4,PB5 connected to JP3,but not used for BlinkyFish