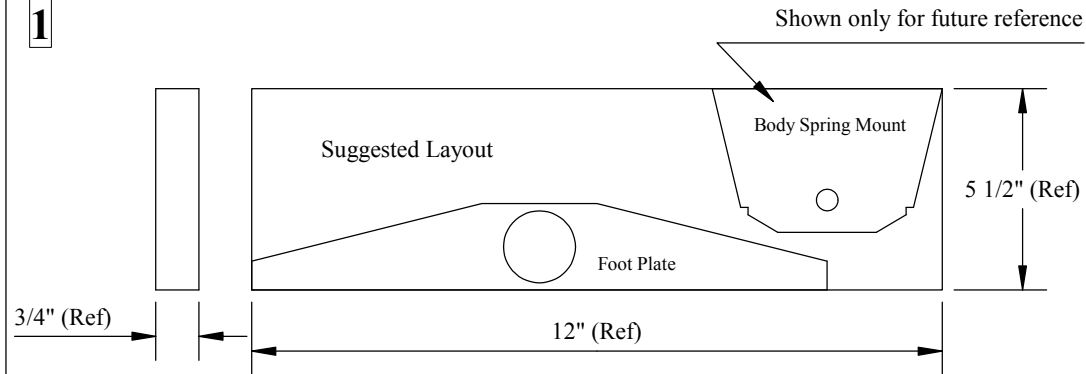
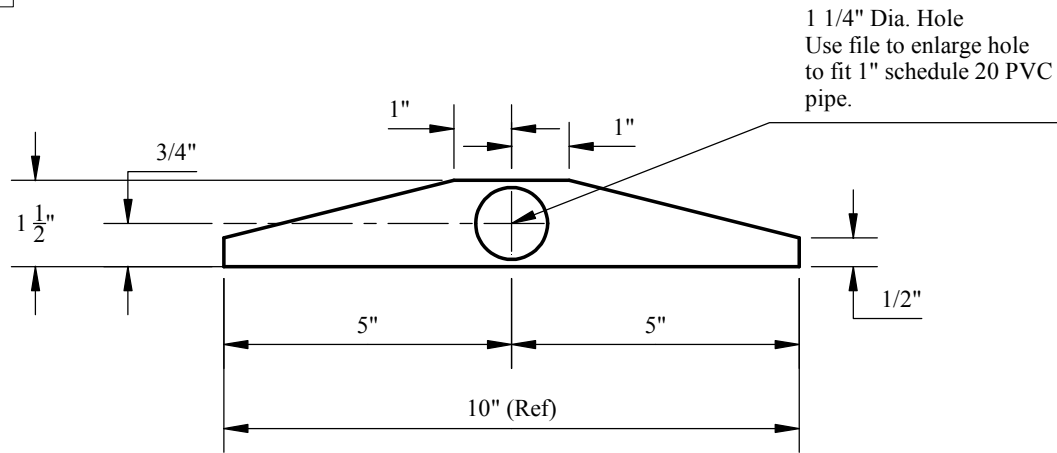


1

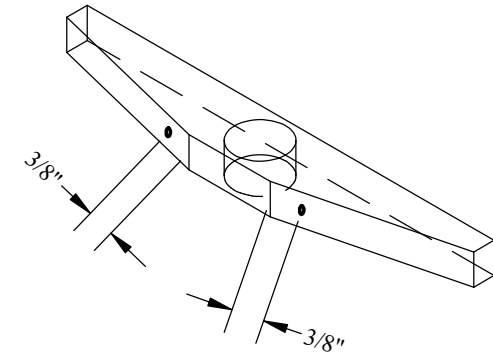


2



Note:
Drill the hole and enlarge it to fit the PVC pipe
before cutting the foot from the board.
Drilling after will tend to split the wood.

3



Drill 2 pilot holes 1/16" Dia. 1/4" deep.
These will be used to mount decorative
legs.

Foot Plate Detail

Material: 3/4" x 5 1/2" x 12" Pine Board