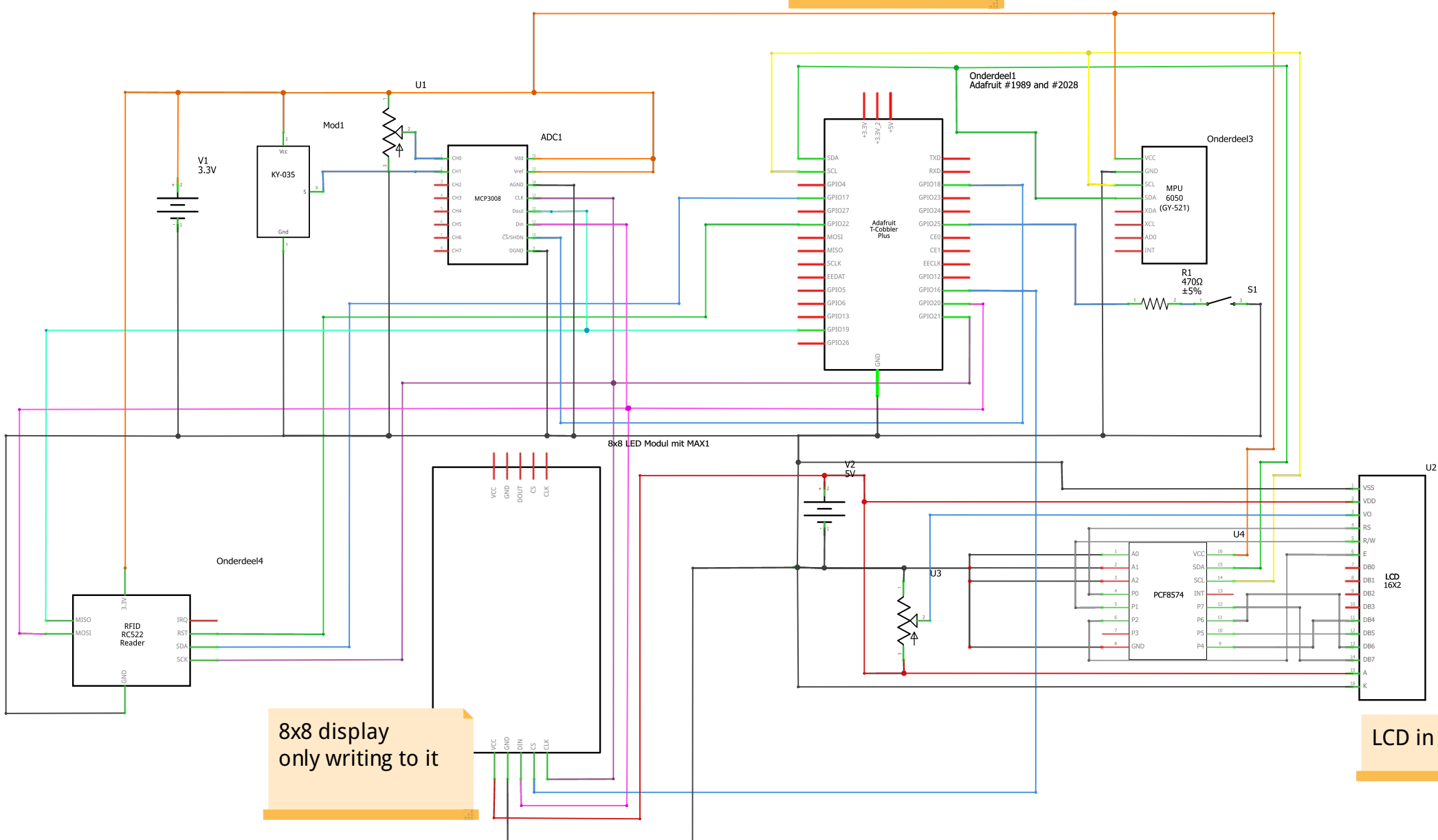


with SPI1:
 GPIO 16 = CE2
 GPIO 17 = CE1
 GPIO 18 = CE0
 GPIO 19 = MISO
 GPIO 20 = MOSI
 GPIO 21 = SPCLK

SCLK = GPIO 11
 MOSI = GPIO 10
 MISO = GPIO 9
 CE0 = GPIO 8
 CE1 = GPIO 7



8x8 display
 only writing to it

LCD in 4 bit mode