

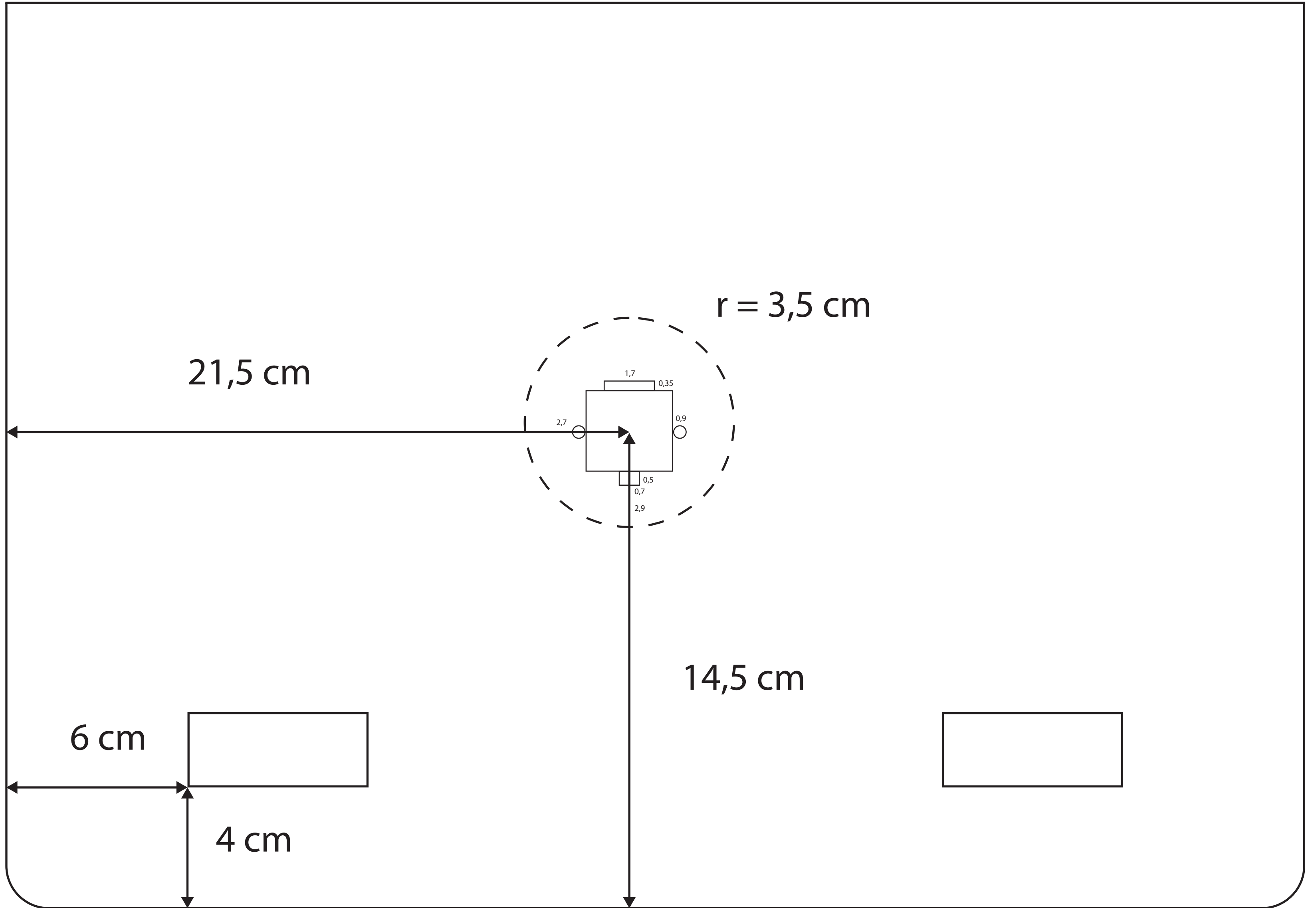
Front piece

leather thickness: 3-3,2

43 cm

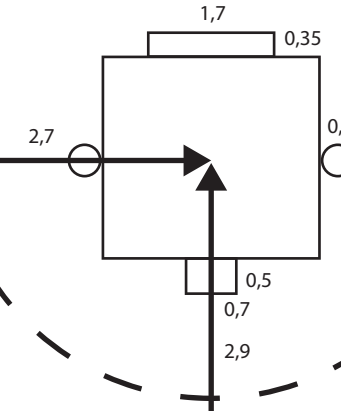


30 cm



21,5 cm

$r = 3,5$ cm



14,5 cm

6 cm

4 cm

$r = 1,4$