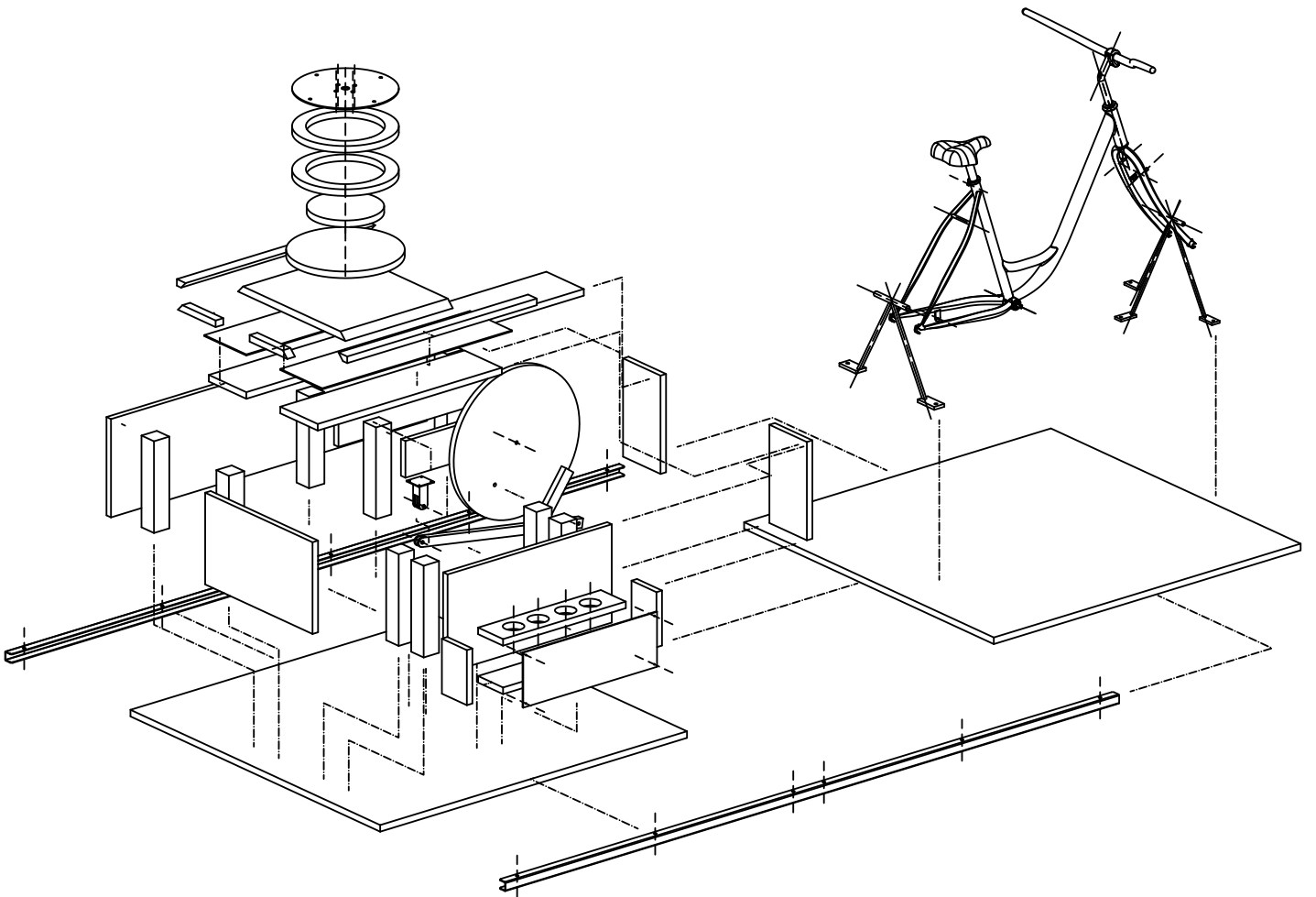


---

# Marble Painter

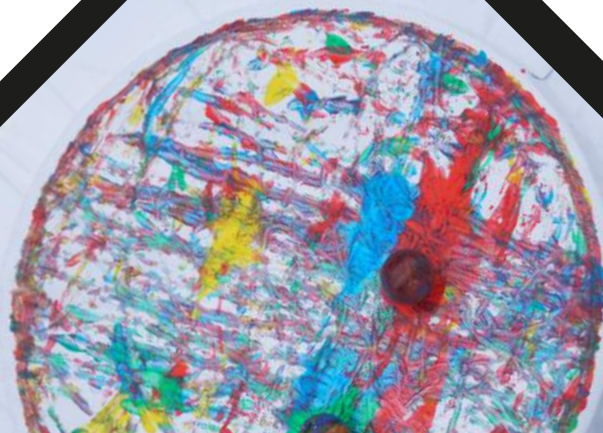
---



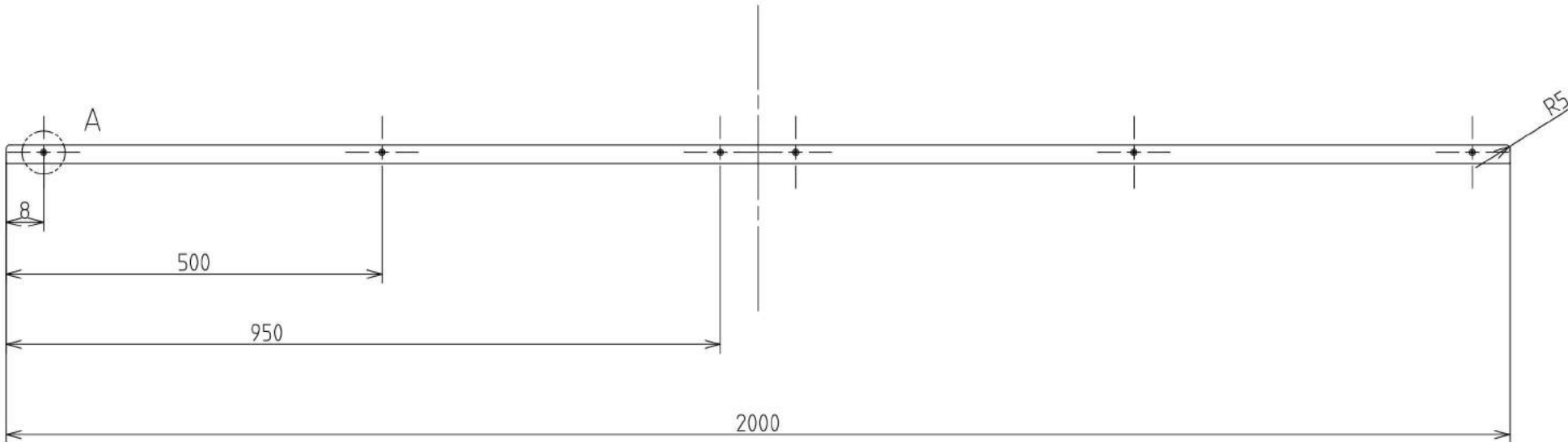
---

## U - Profile

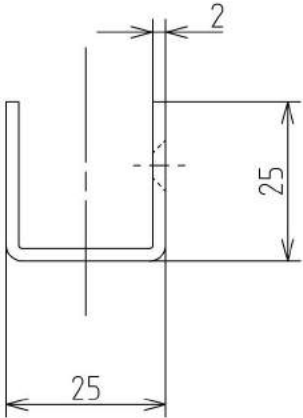
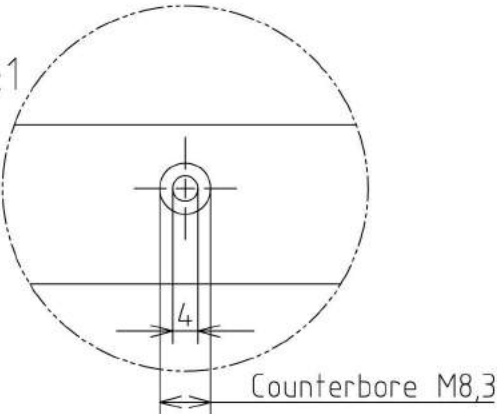
---

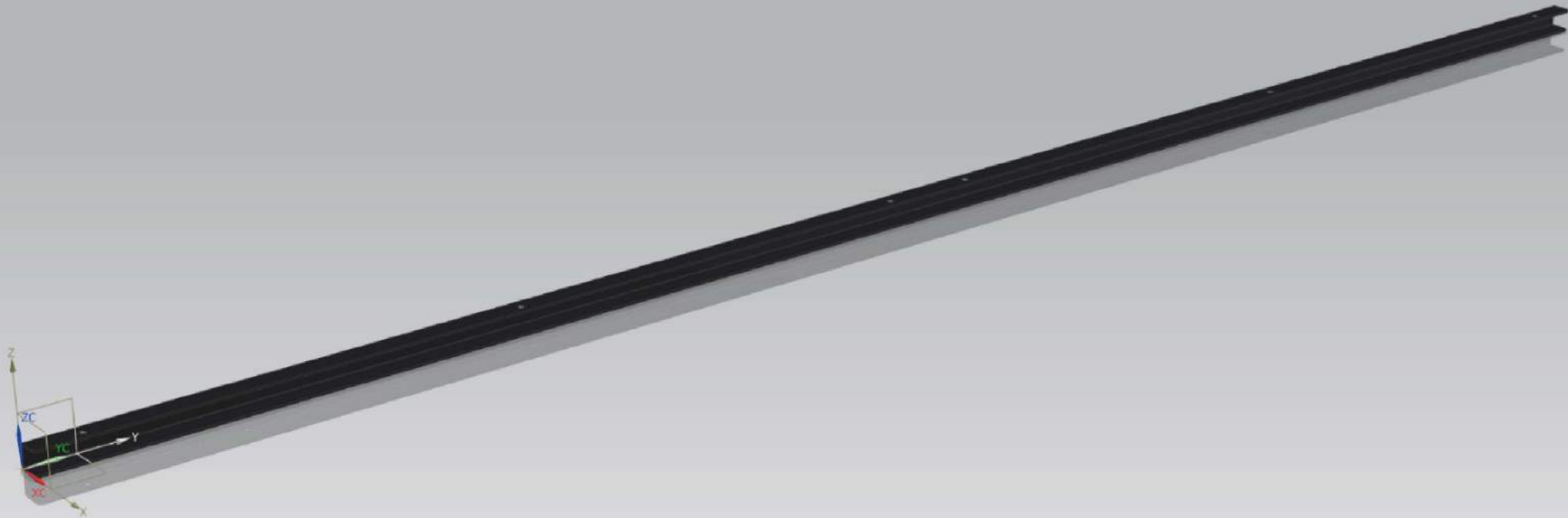


# Dimensions of the U profile



DETAIL A  
SCALE 1:1

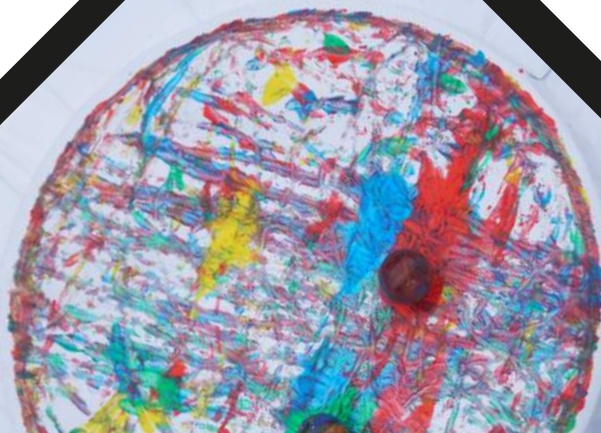




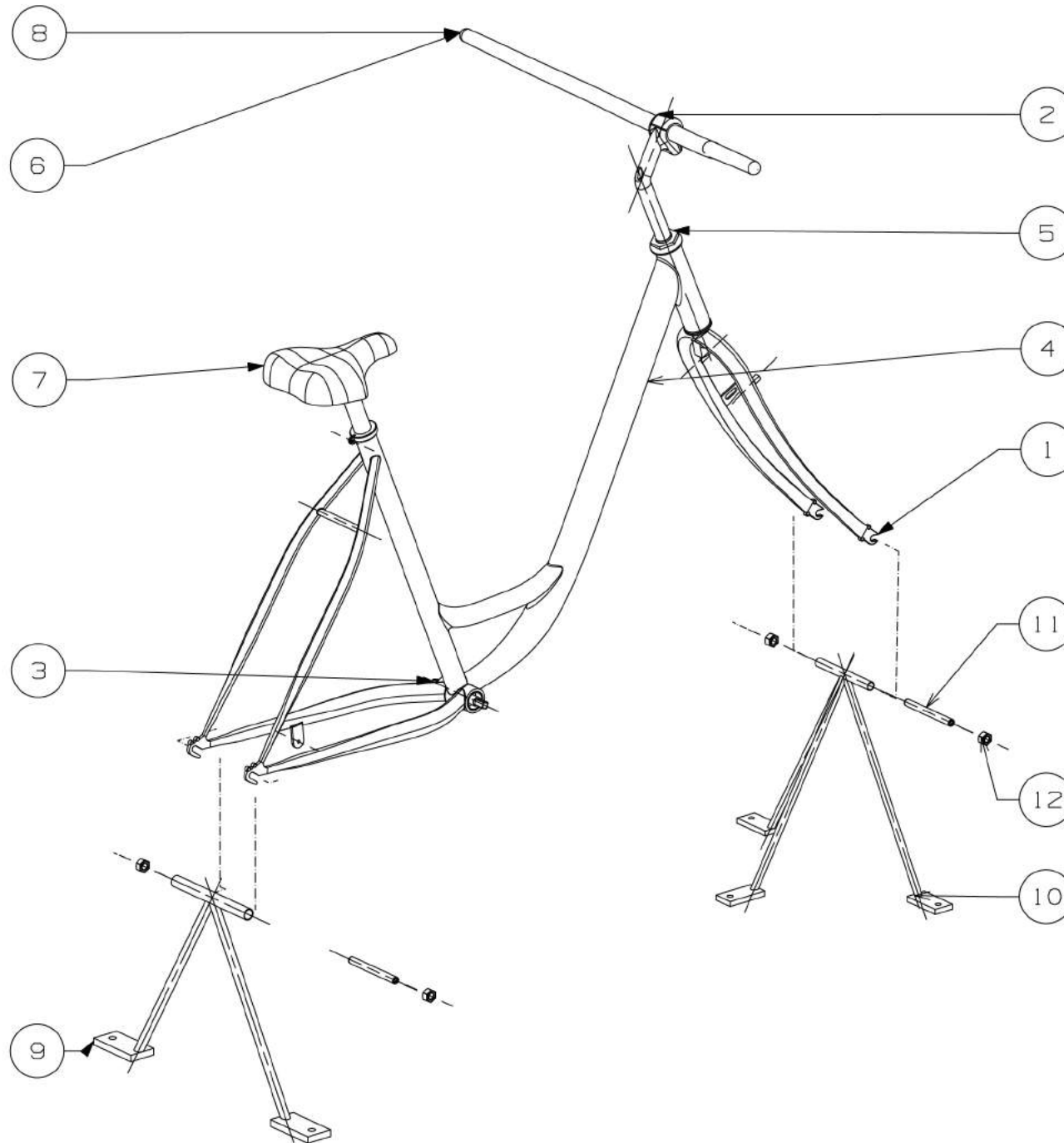
---

# Subassembly Bike

---



# Exploded View



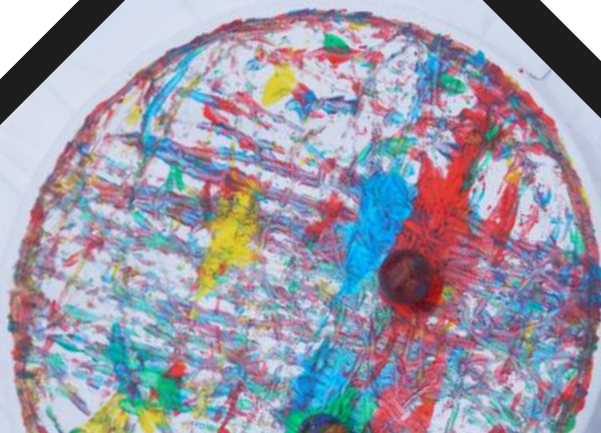
12	HEX NUT, 2 B, FINE THD, DIN, M8X1	4
11	FLAT PIN, CASE HARDENED STEEL, B, DIN, 8X80	2
10	FIETS STEUN VOORAAN	1
9	FIETS STEUN ACHTER	1
8	FIETS	1
7	SADEL	1
6	STYRET	1
5	STYRSTONGI	1
4	RAMFINAL	1
3	VEVLAGER	1
2	STYRSTOLPE	1
1	GAFFEL	1
PC NO	PART NAME	QTY



---

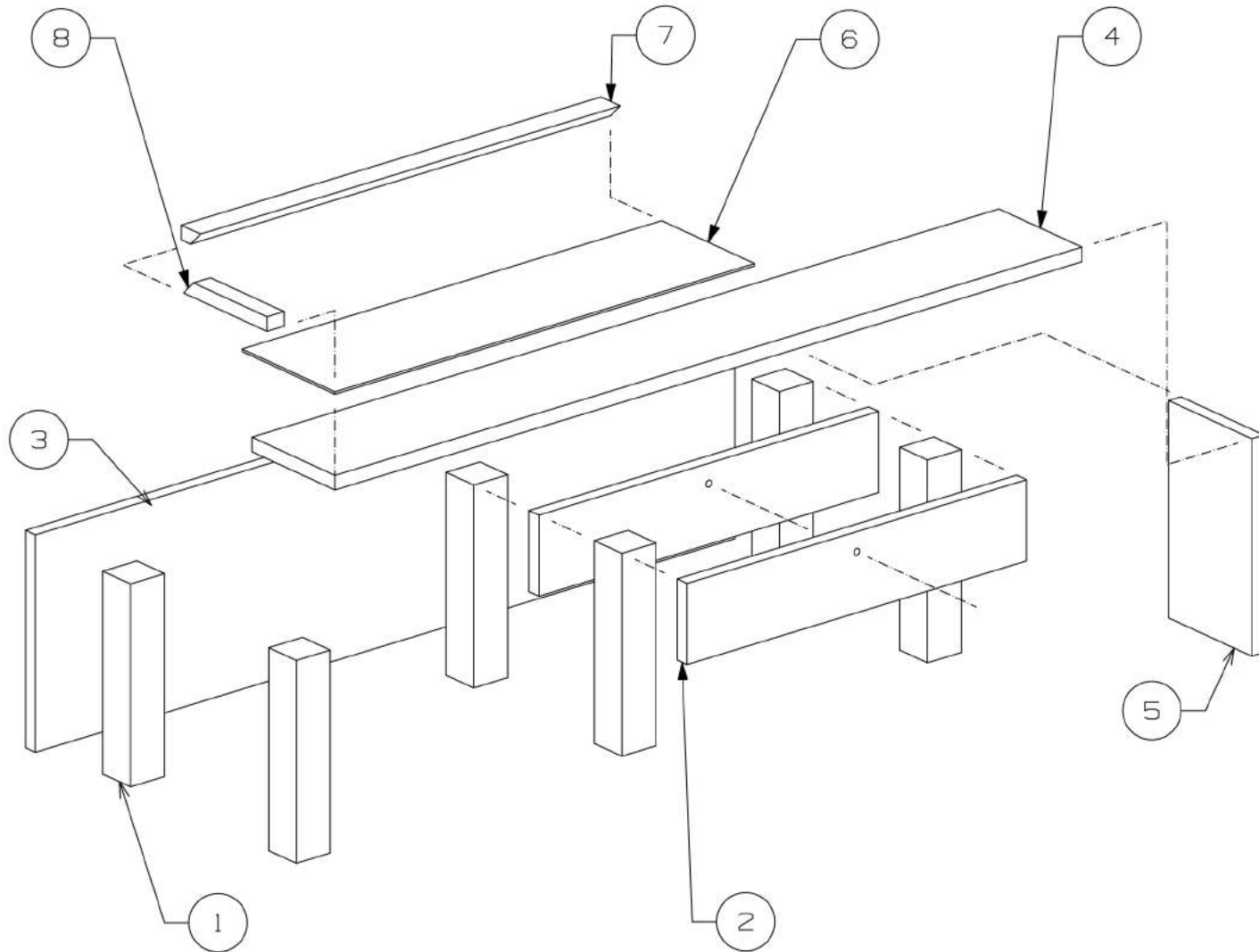
# Subassembly Wooden Frame Part 1

---

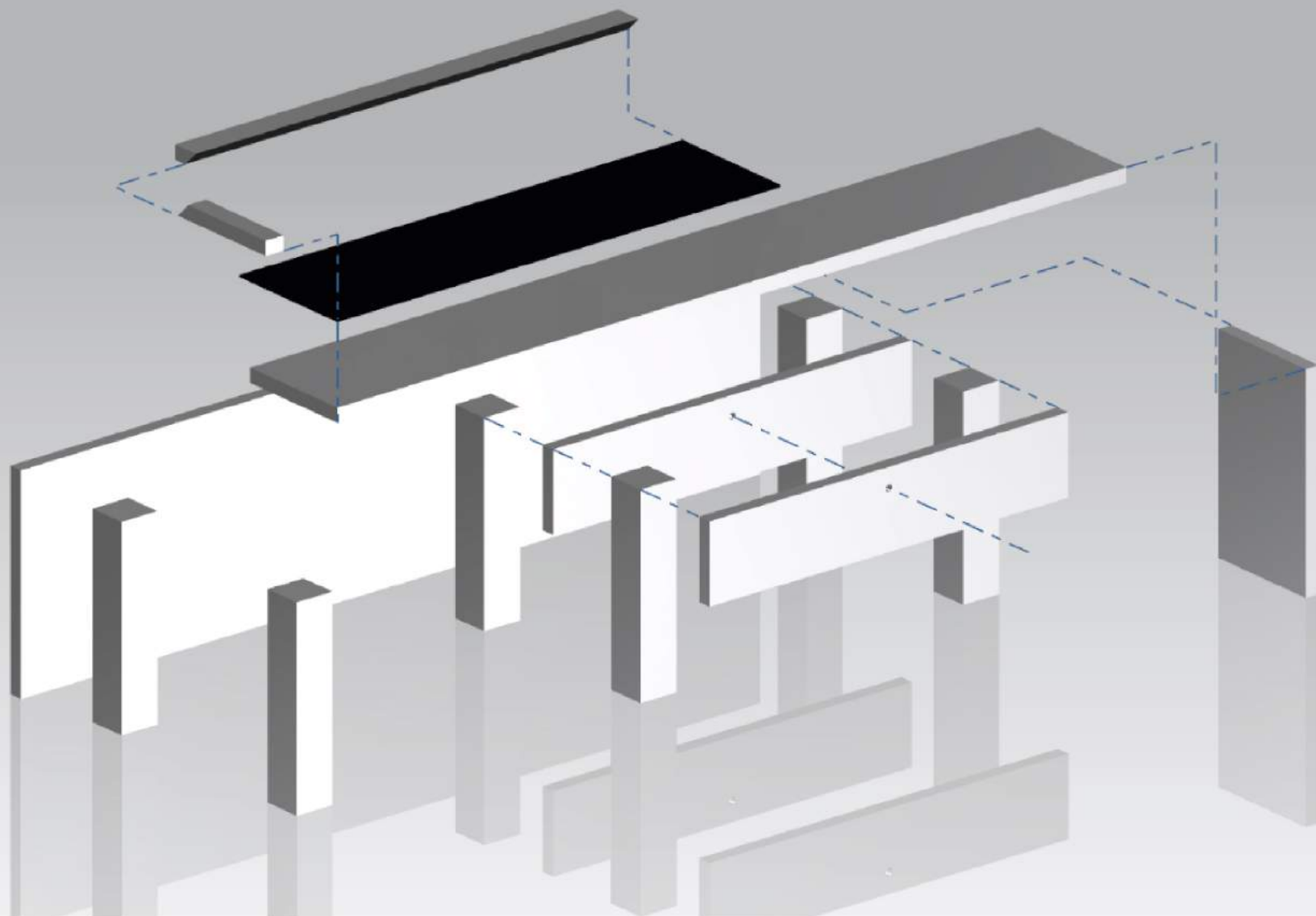


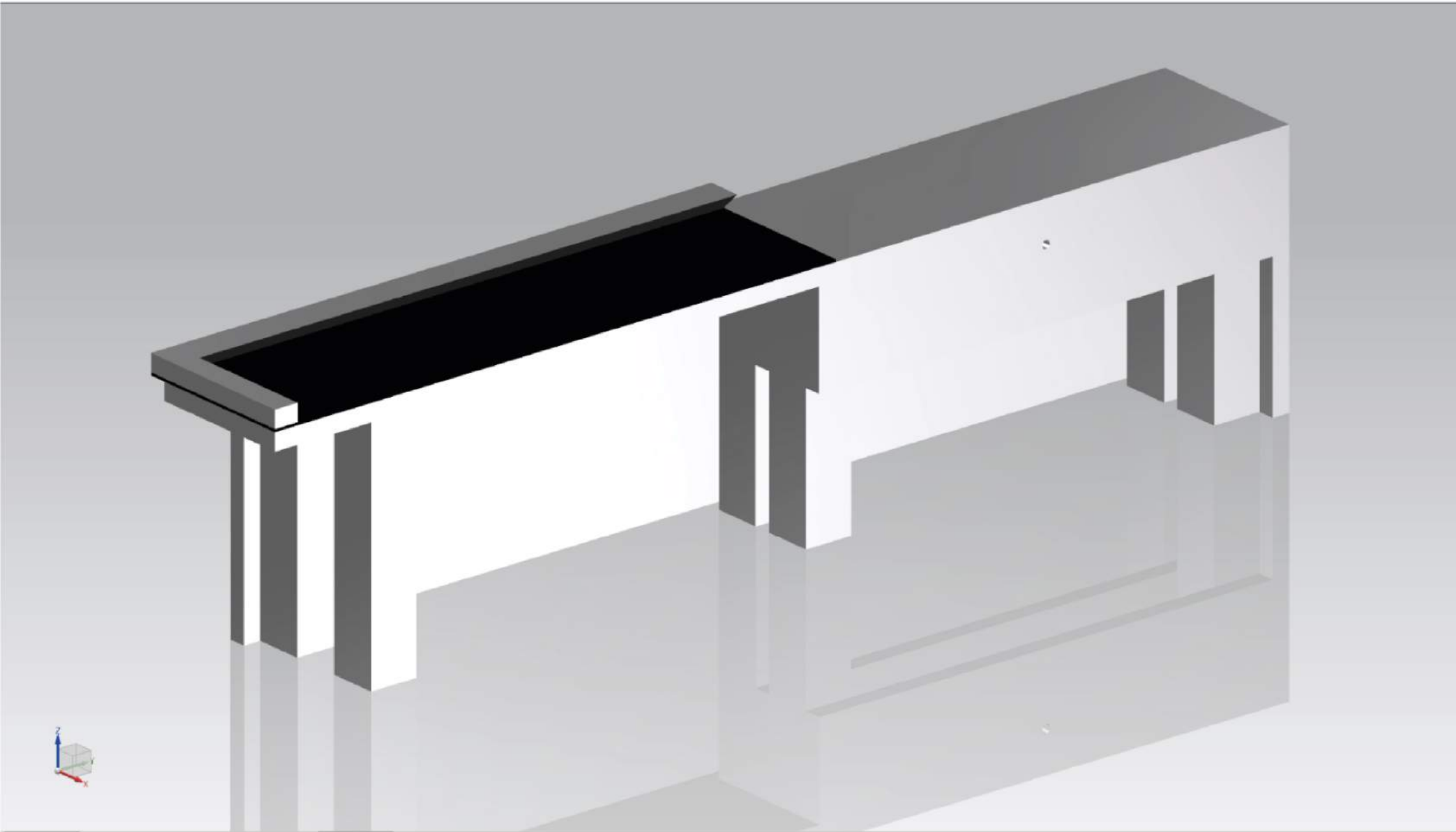


# Exploded View

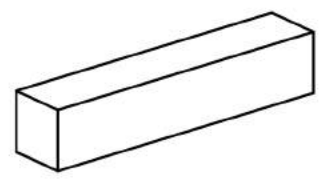
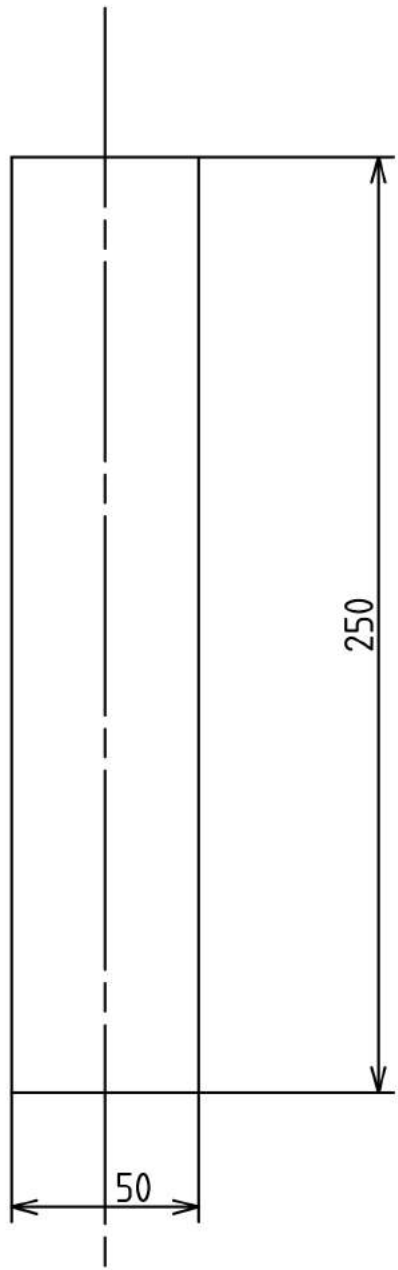


8	KORTE LATJES VERSTEK	1
7	LANGE_LATJES _VERSTEK	1
6	ABS PLAAT	1
5	ZIJKANTJES LINKS 2X	1
4	BOVENPLANK LINKS	1
3	ZIJPLANK LINKS	1
2	PLANK GELEIDER 2X	2
1	DENNEN_BLOKK EN	6
PC NO	PART NAME	QTY



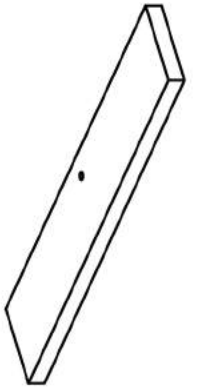
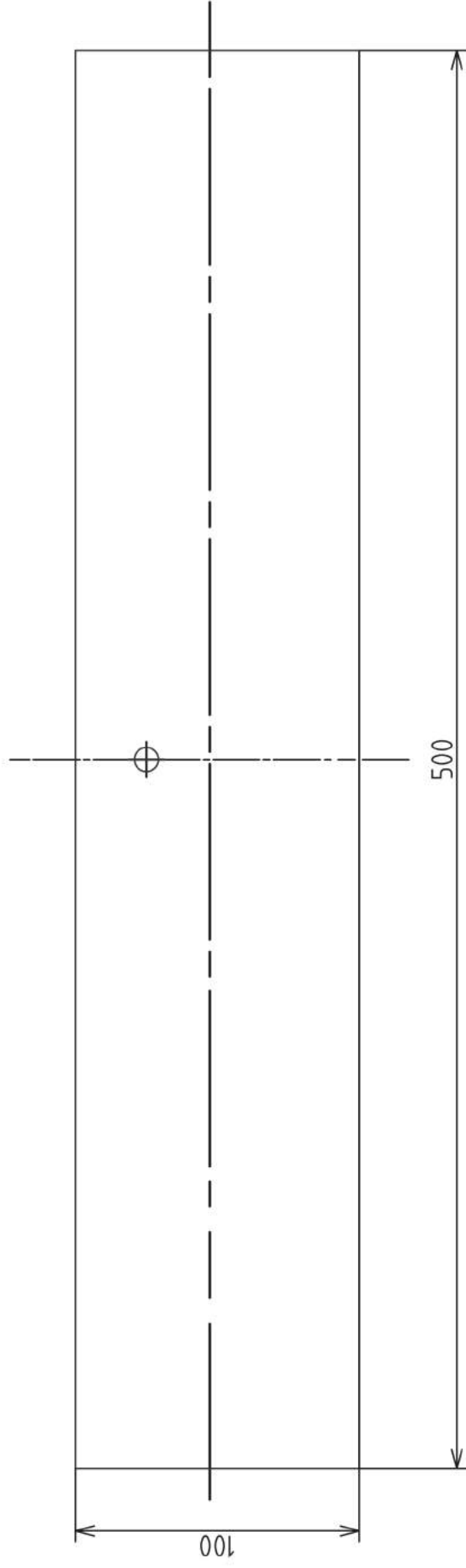


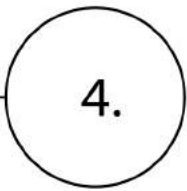
1.



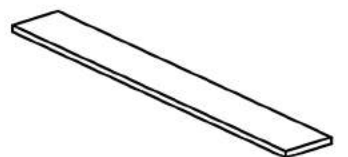
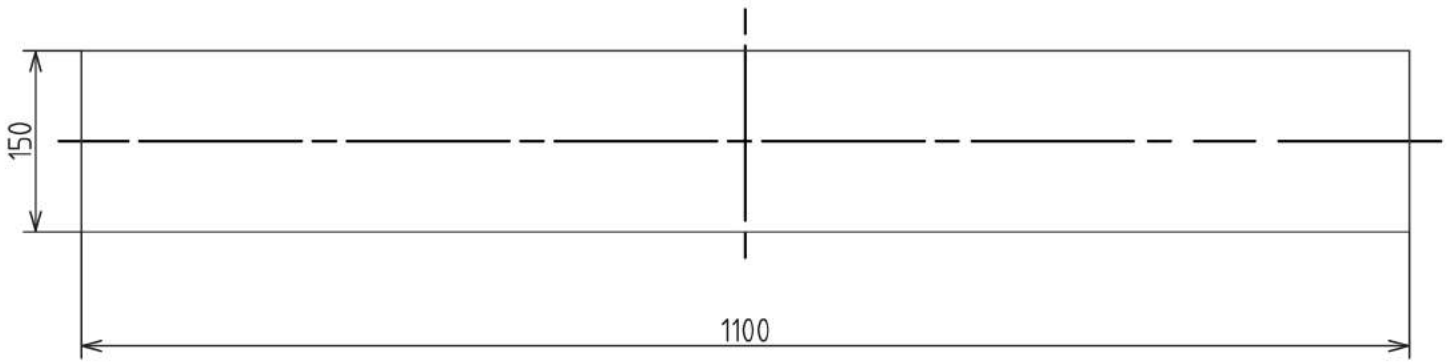
2.

Thickness 18



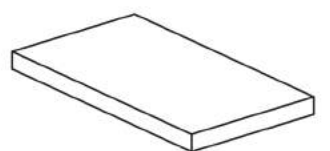
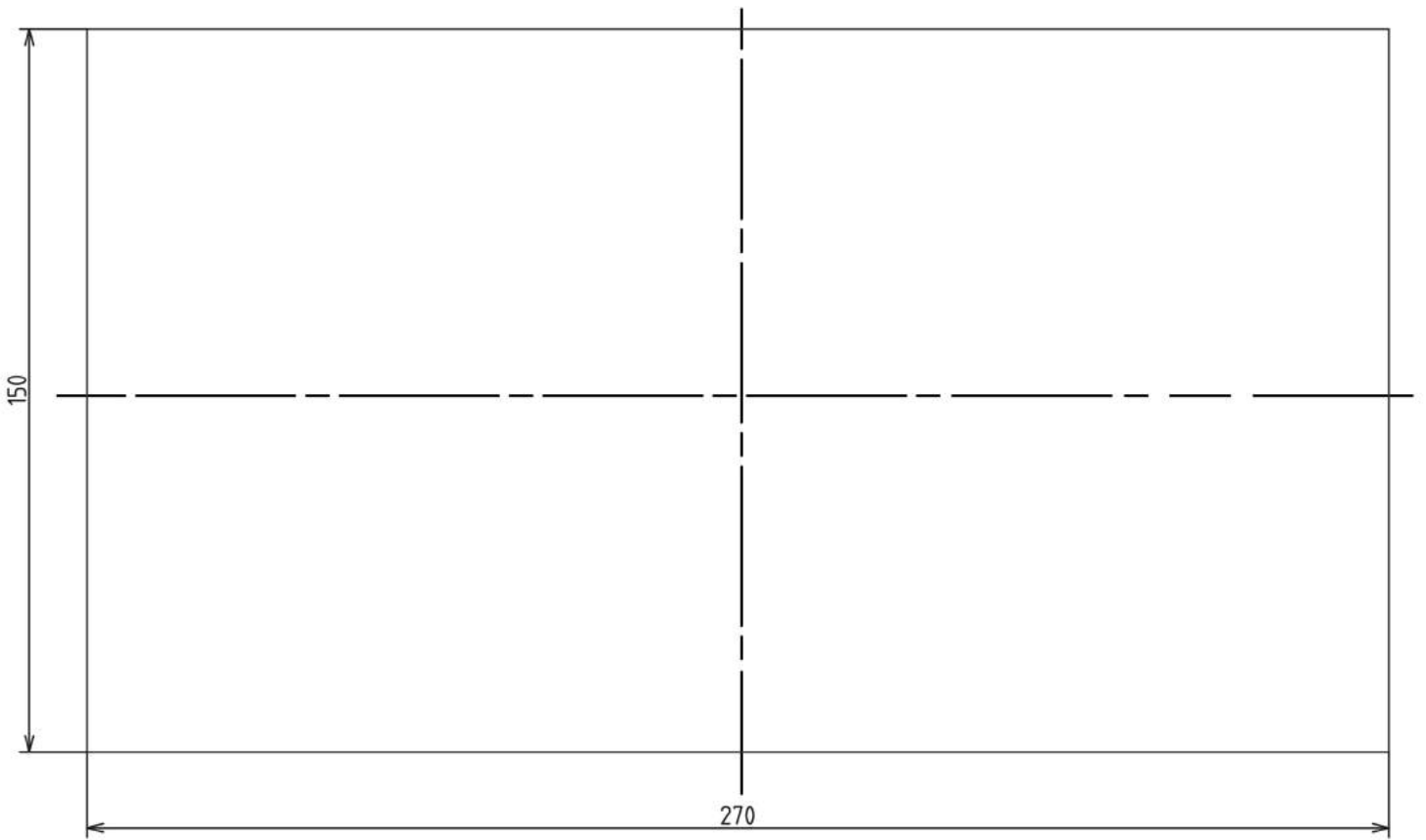


Thickness 18



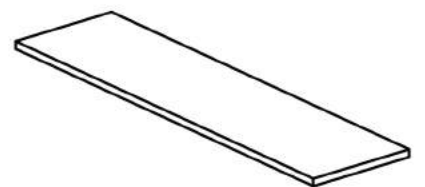
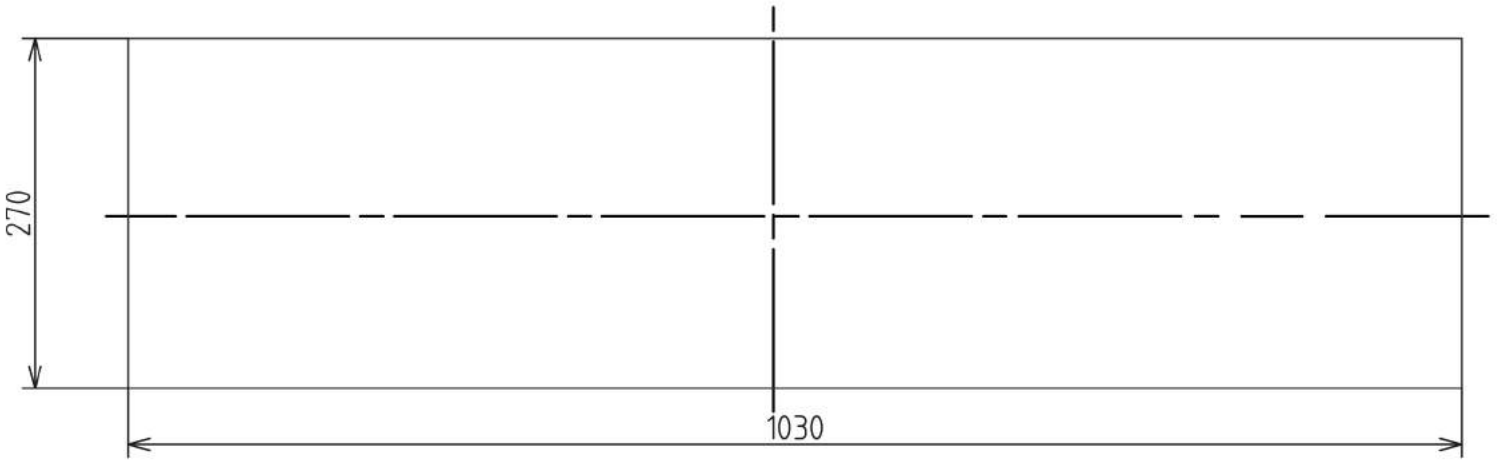
5.

Thickness 18



3.

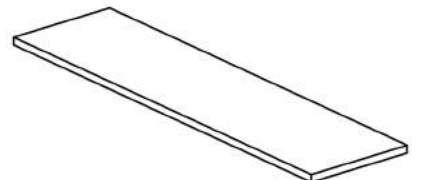
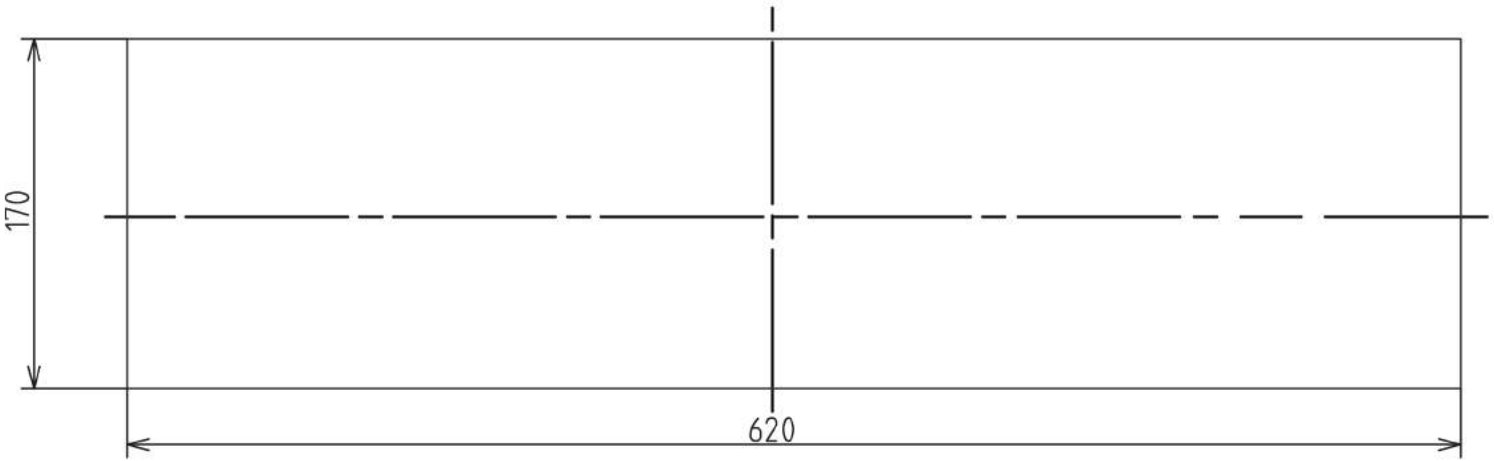
Thickness 18





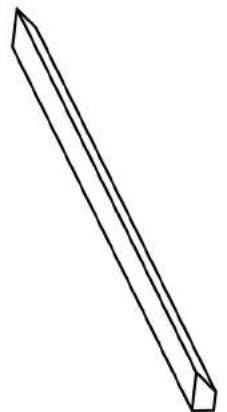
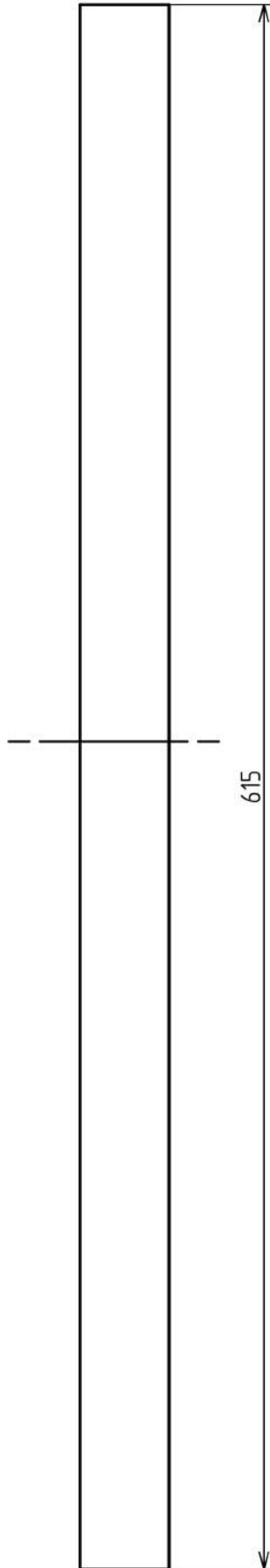
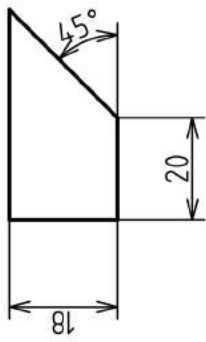
6.

Thickness 3



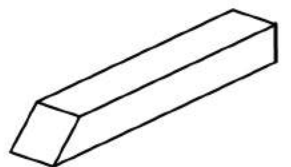
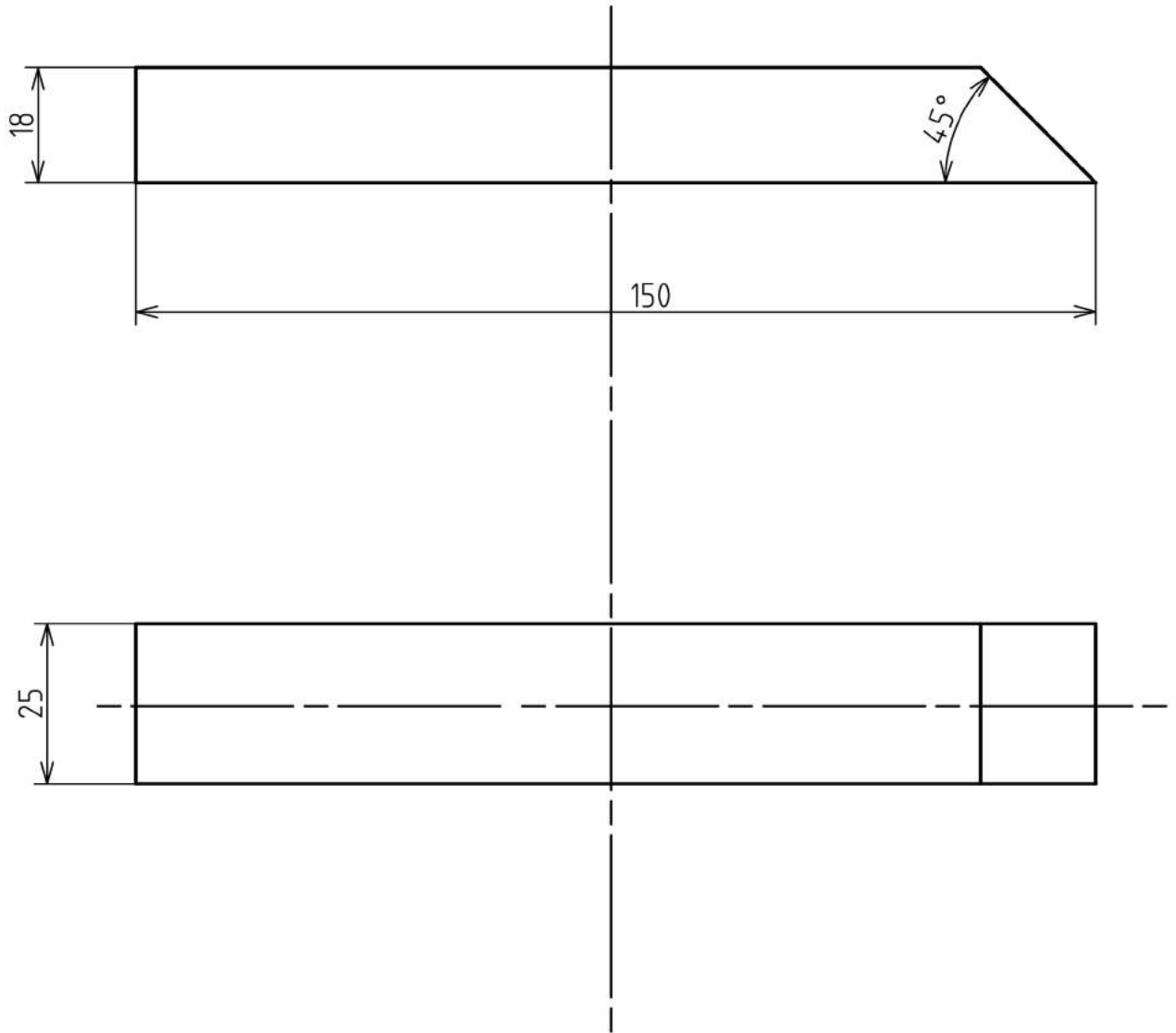
7.

Thickness 18



8.

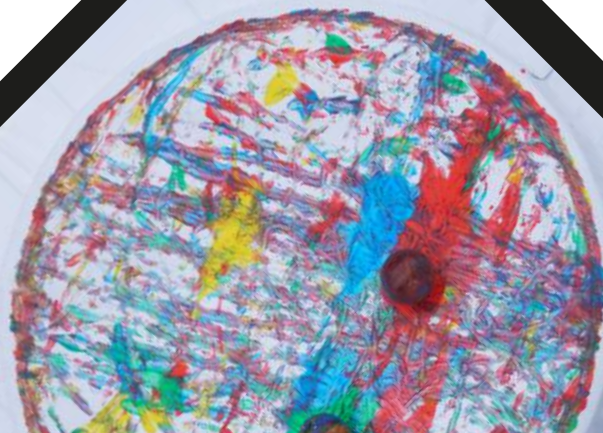
Thickness 18



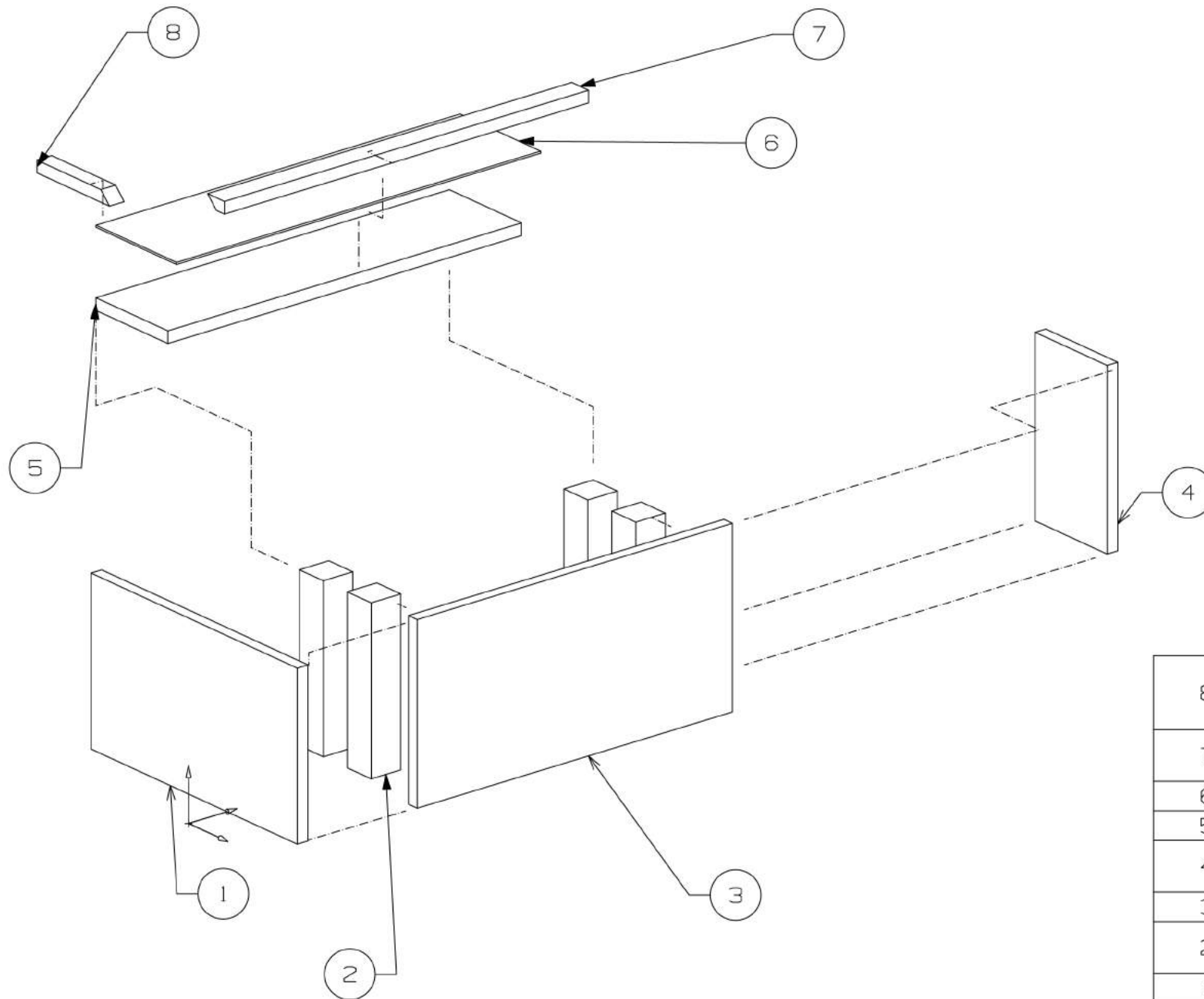
---

## Subassembly Wooden Frame Part 2

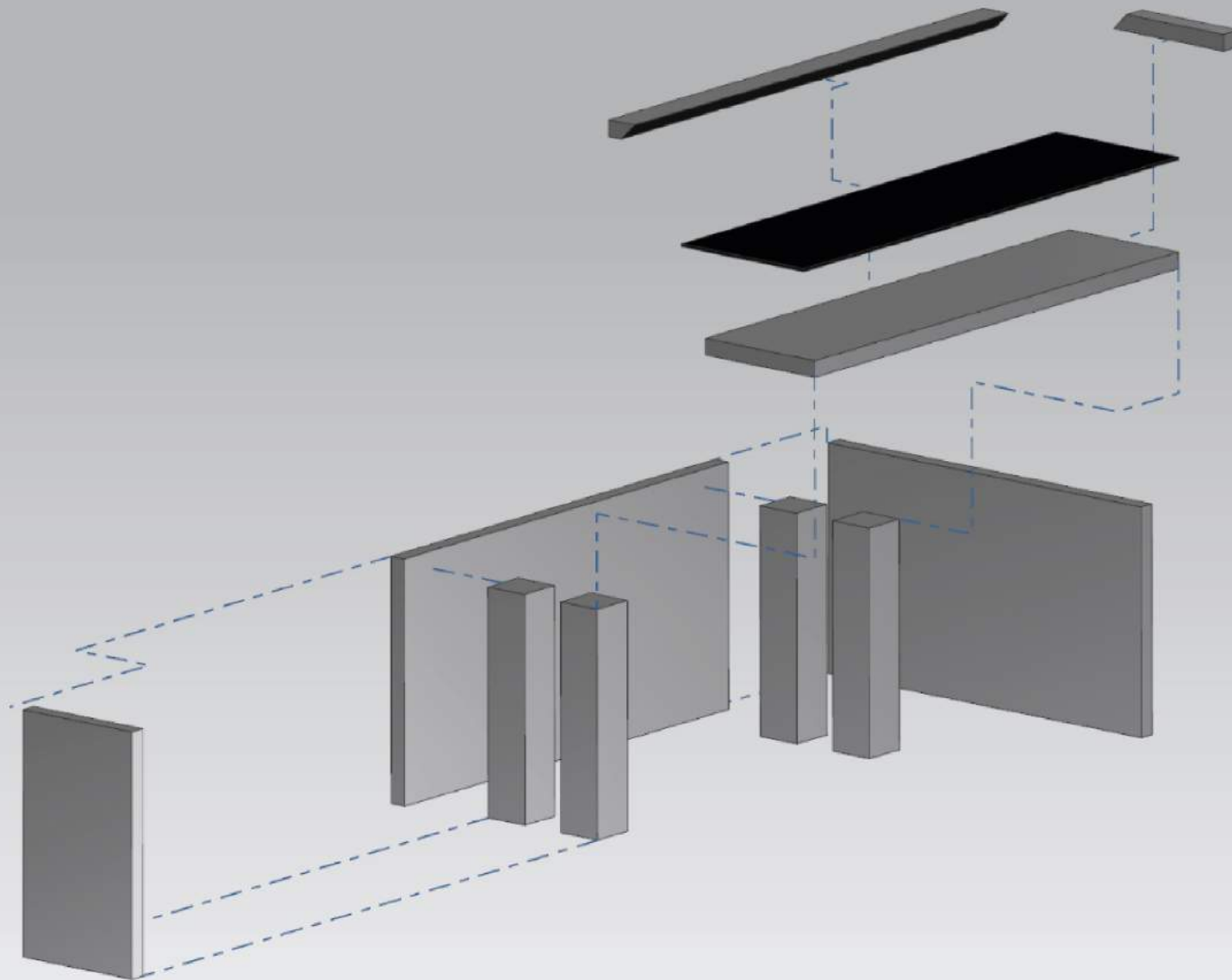
---

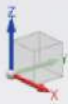


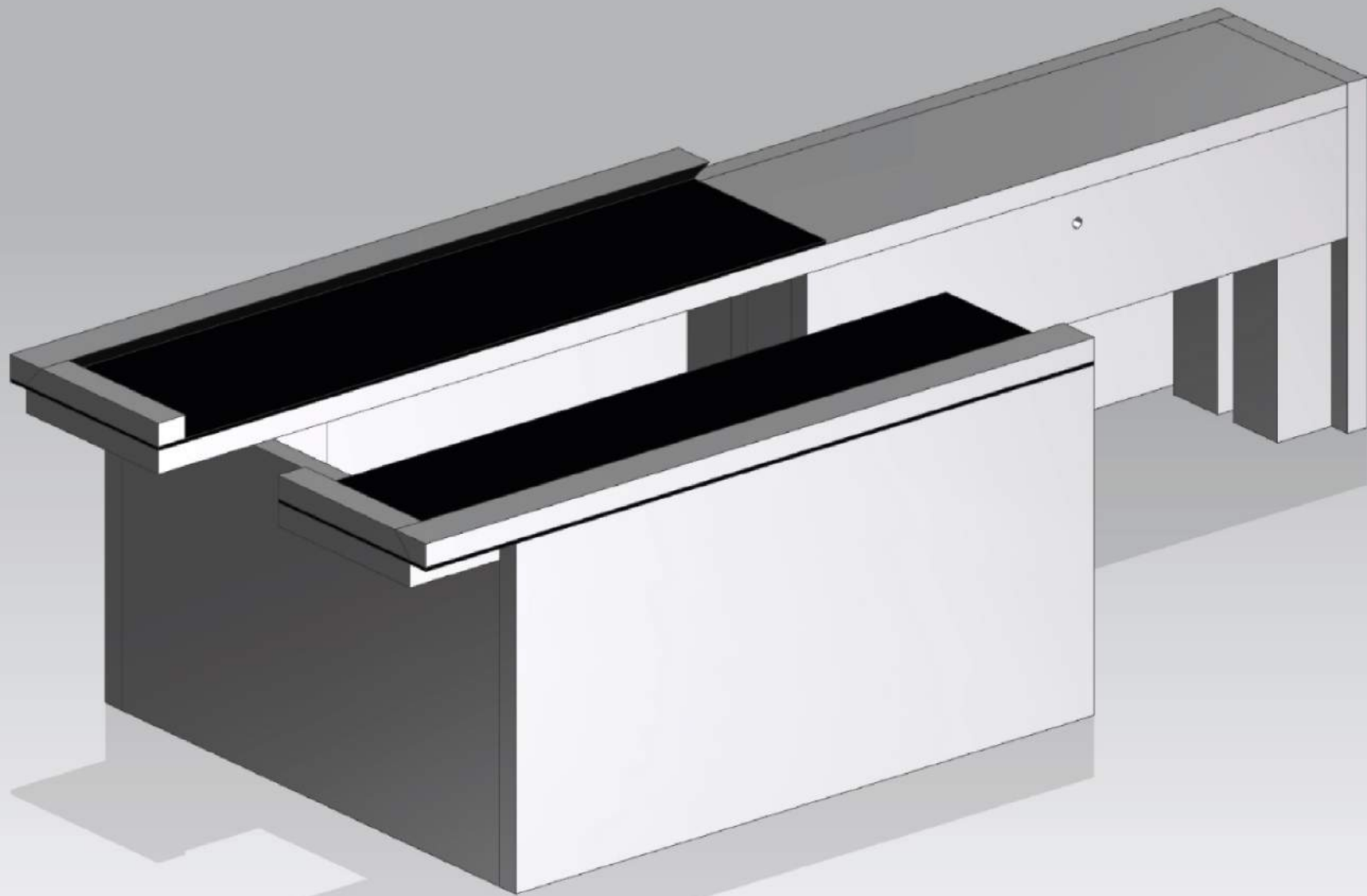
# Exploded View



8	KORTE LATJES VERSTEK	1
7	LANGE_LATJES _VERSTEK	1
6	ABS PLAAT	1
5	PLAAT 600MM	1
4	ZIJKANTJES LINKS 2X	1
3	PLAAT 535 MM	1
2	DENNEN_BLOKK EN	4
1	PLAAT 430MM	1
PC NO	PART NAME	QTY

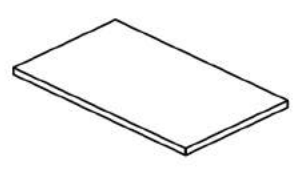
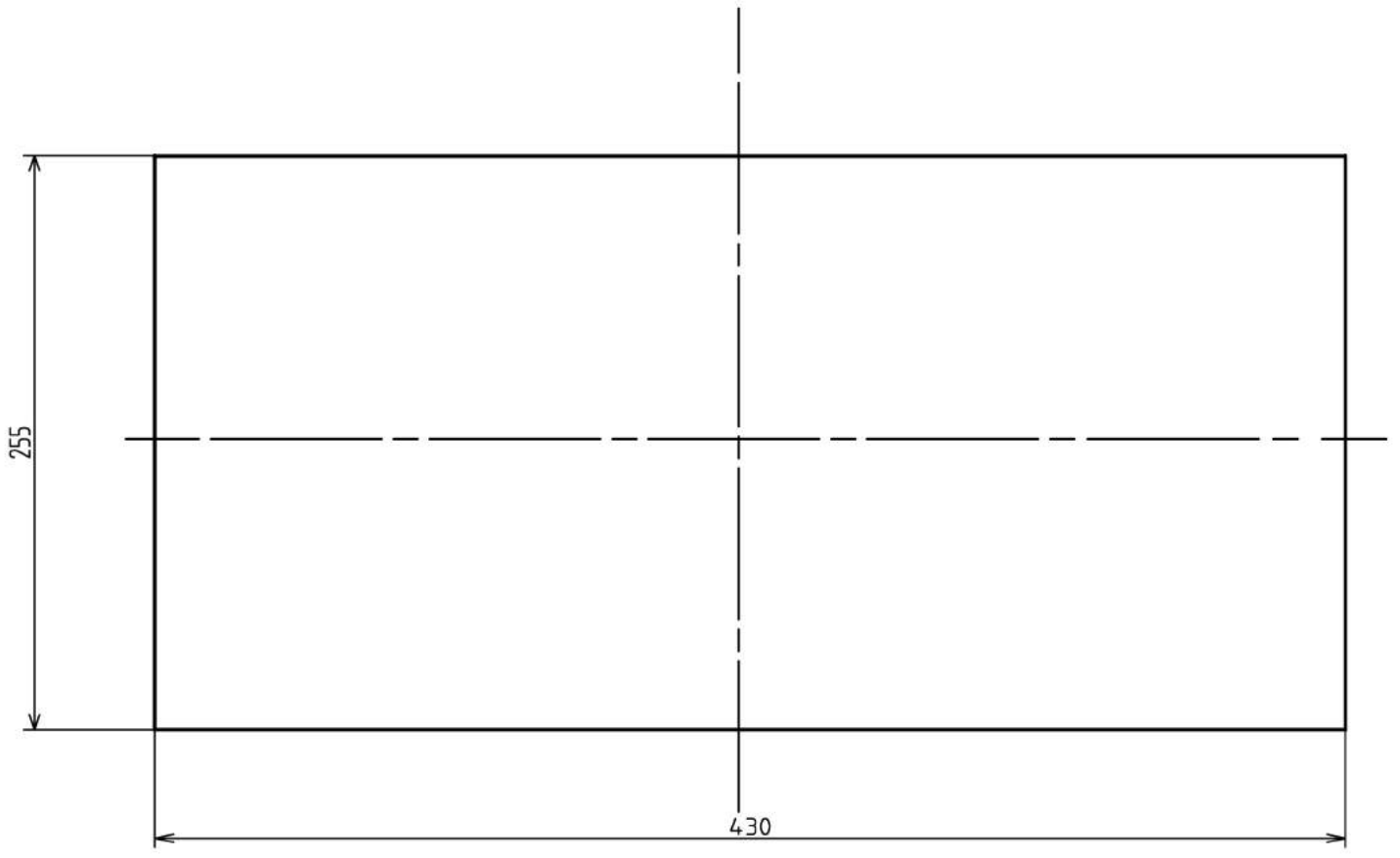






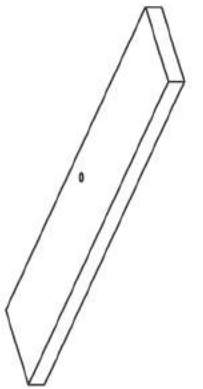
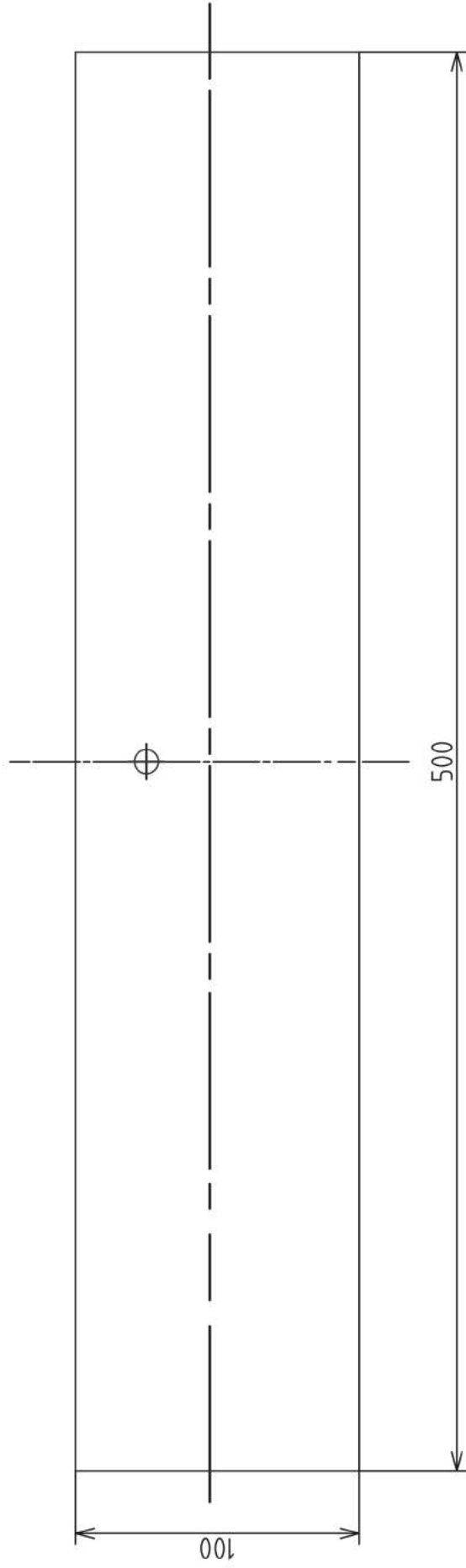


1.



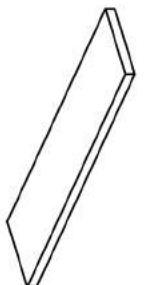
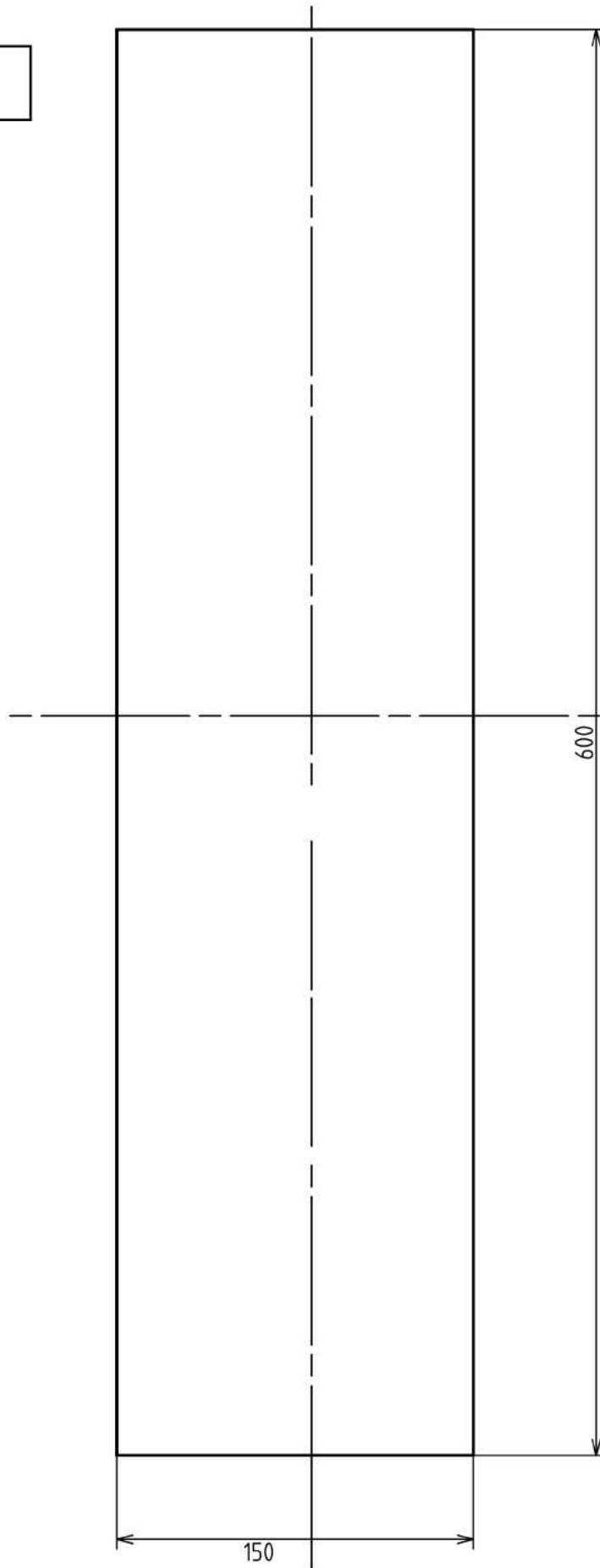
2.

Thickness 18



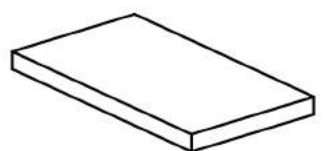
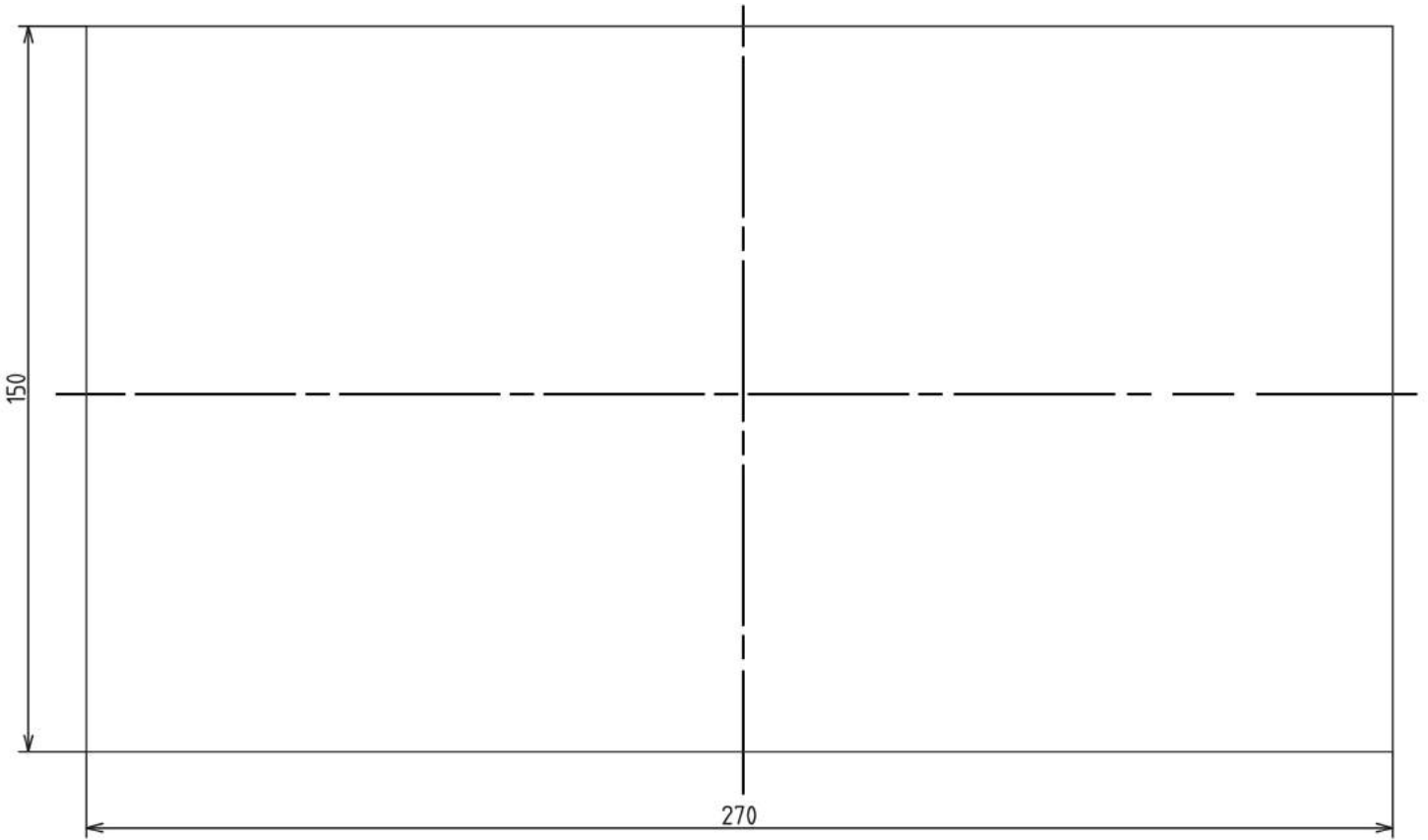
5.

Thickness 18



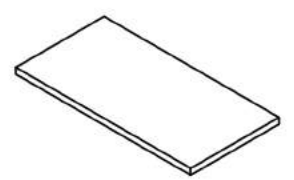
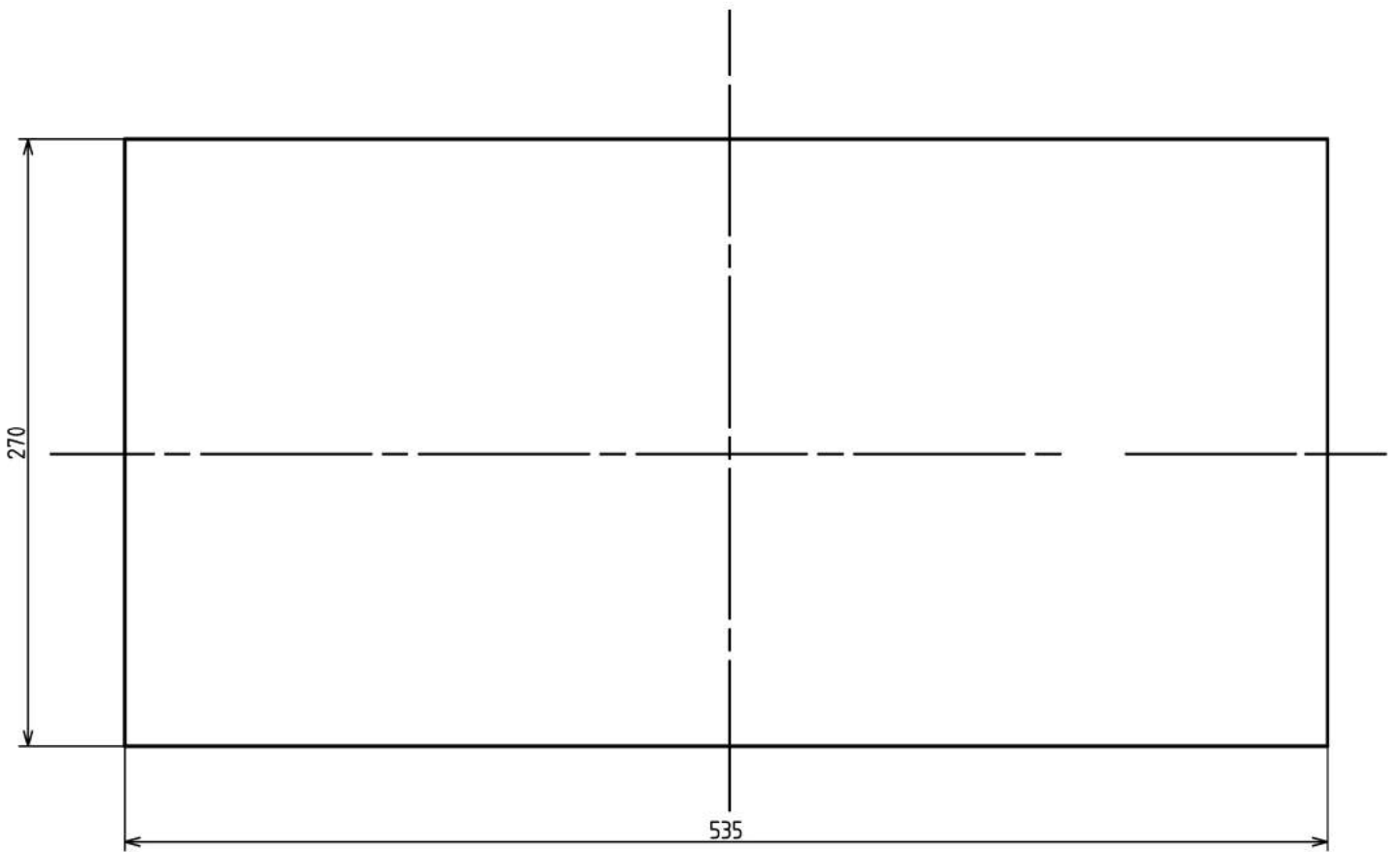
4.

Thickness 18



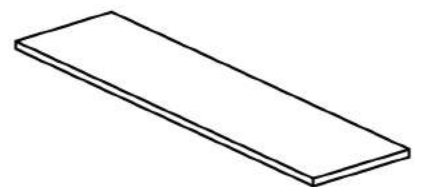
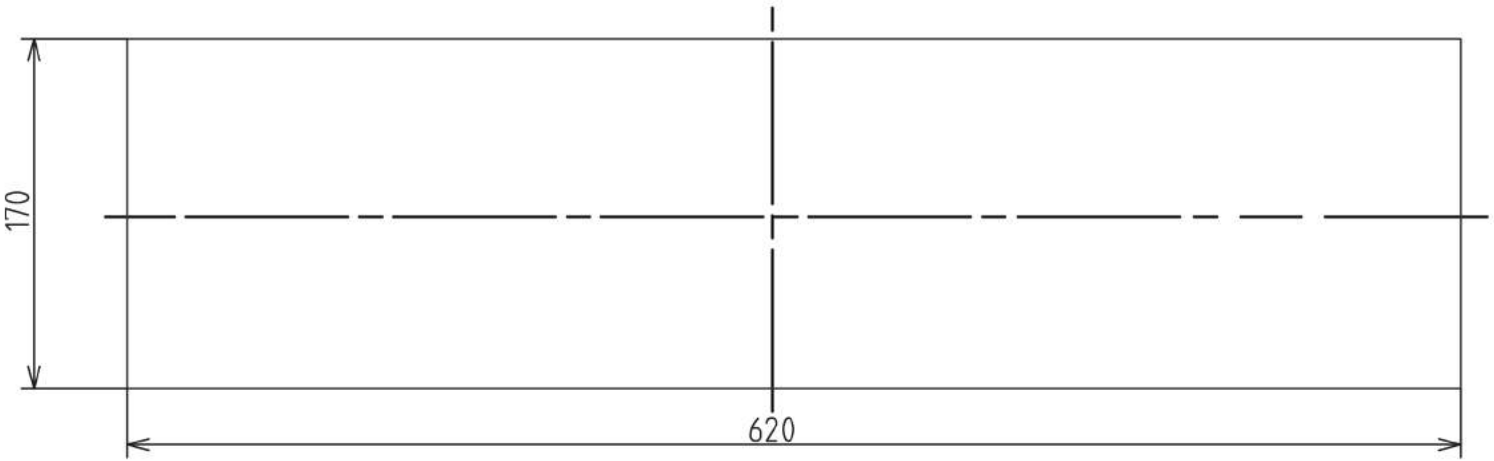
3.

Thickness 18



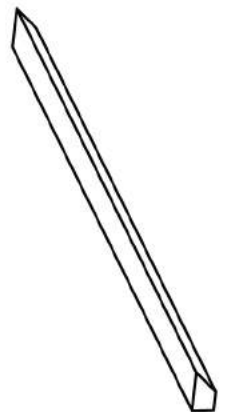
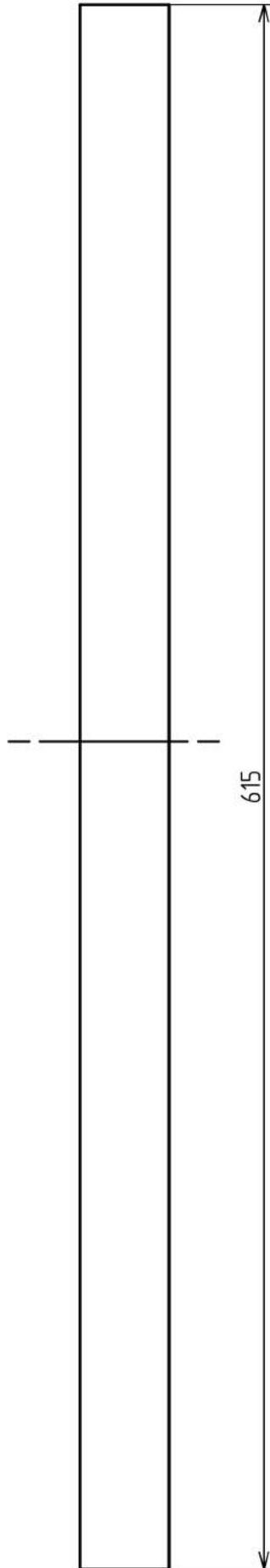
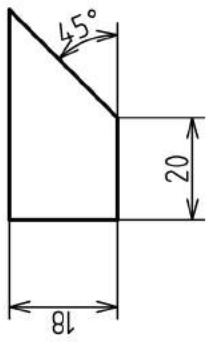
6.

Thickness 3



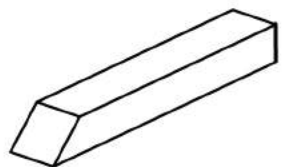
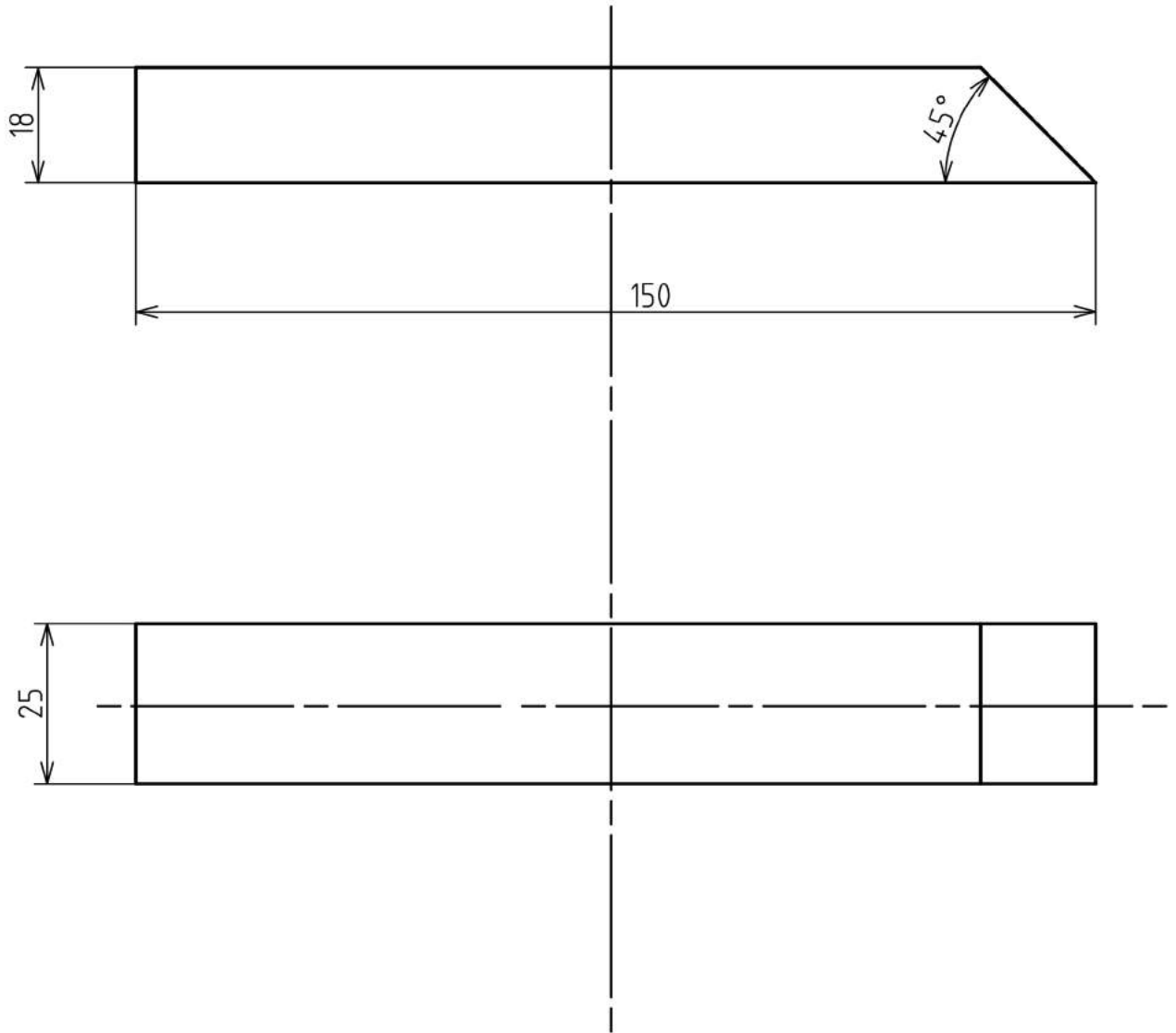
7.

Thickness 18



8.

Thickness 18

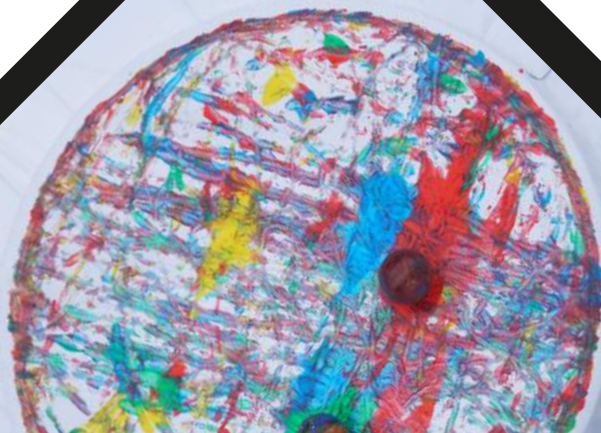




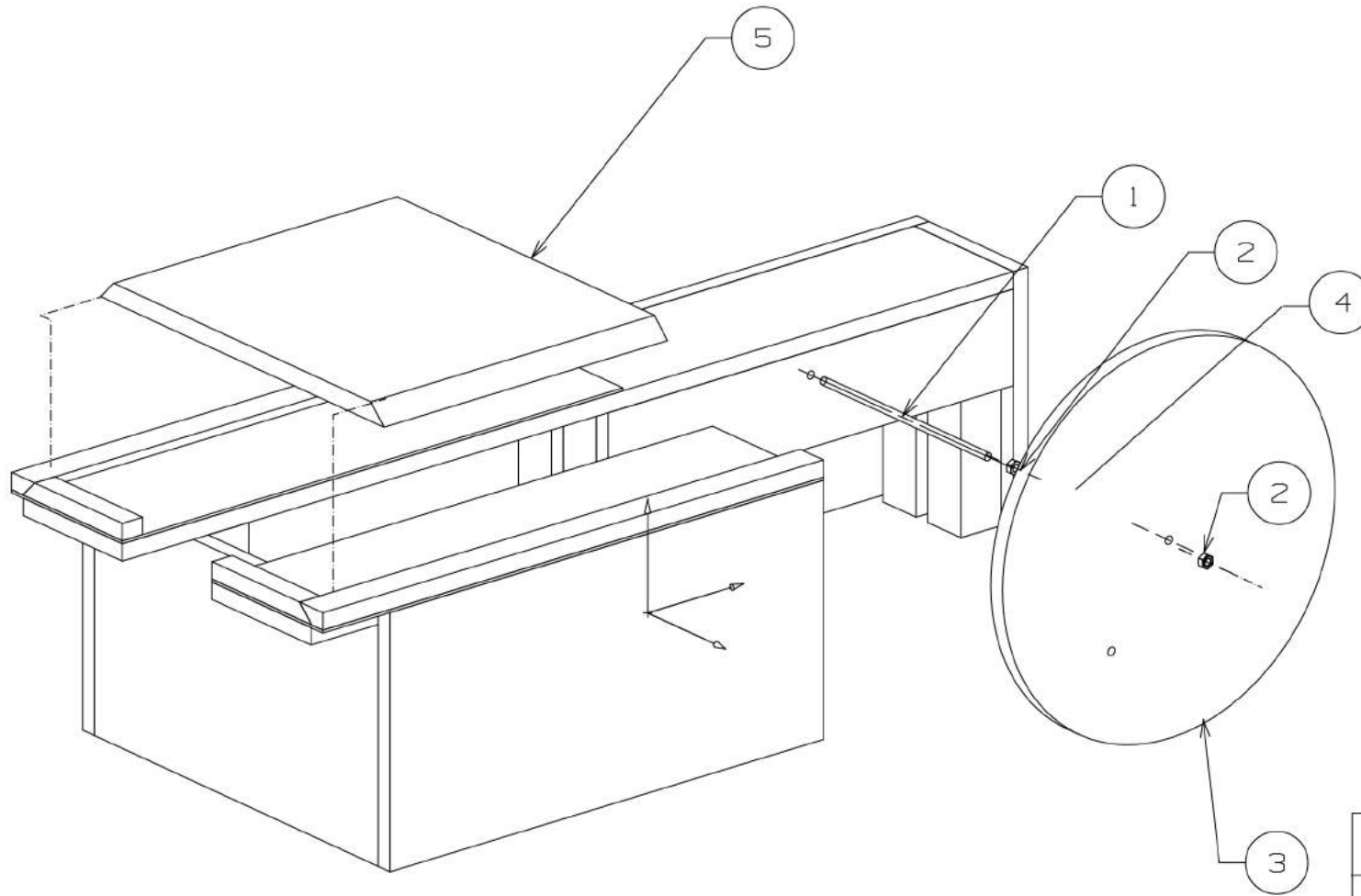
---

# Subassembly Rod & Extension Table

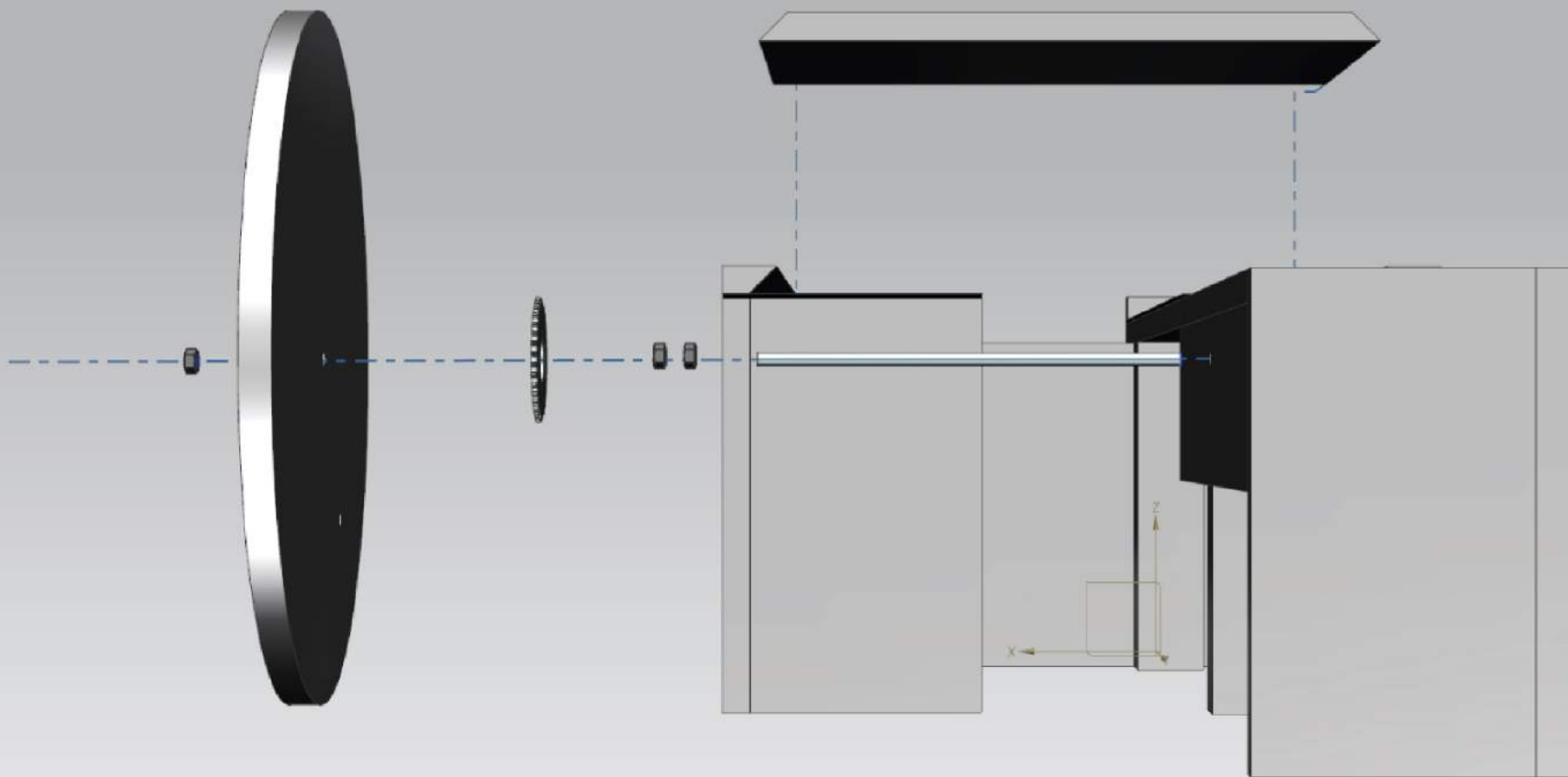
---

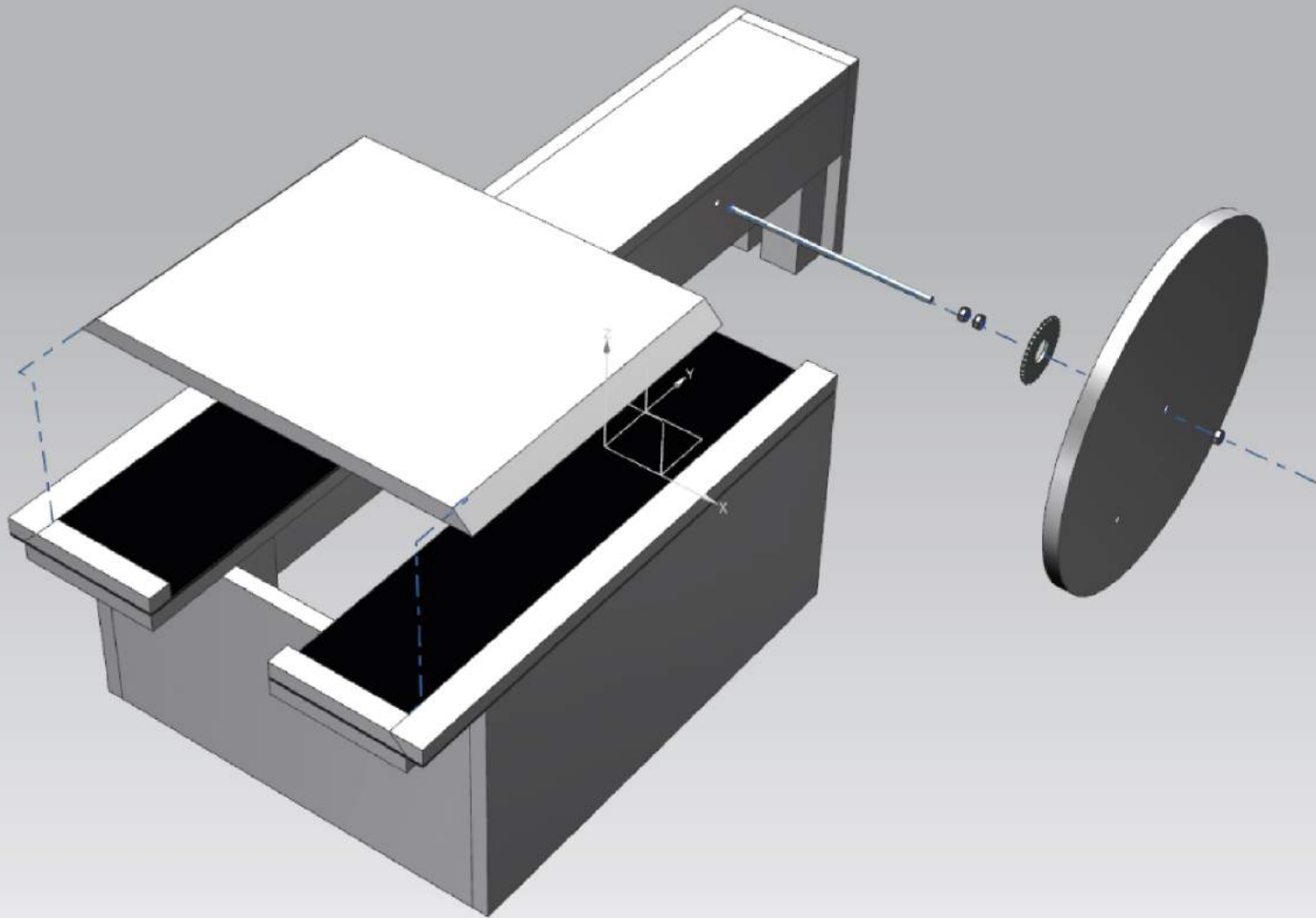


# Exploded View

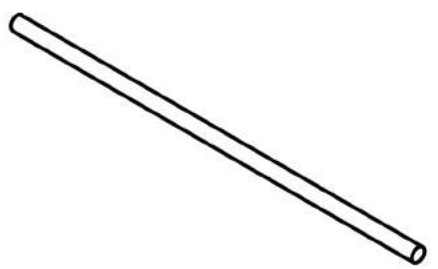
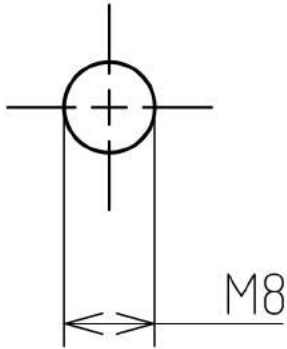
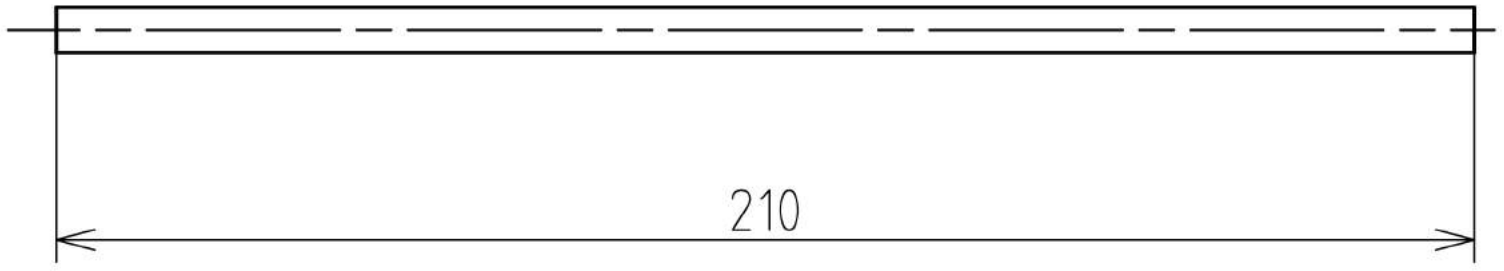


5	SCHUIFPLAAT SJABLOON	1
4	2299K350_MAC HINABLE - BORE FLAT SPROCKET_SLD PPT	1
3	PLAAT	1
2	HEX NUT, 1 B, FINE THD, DIN, M8X1	3
1	DRAADSTANG	1
PC NO	PART NAME	QTY



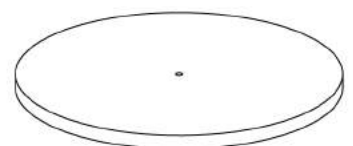
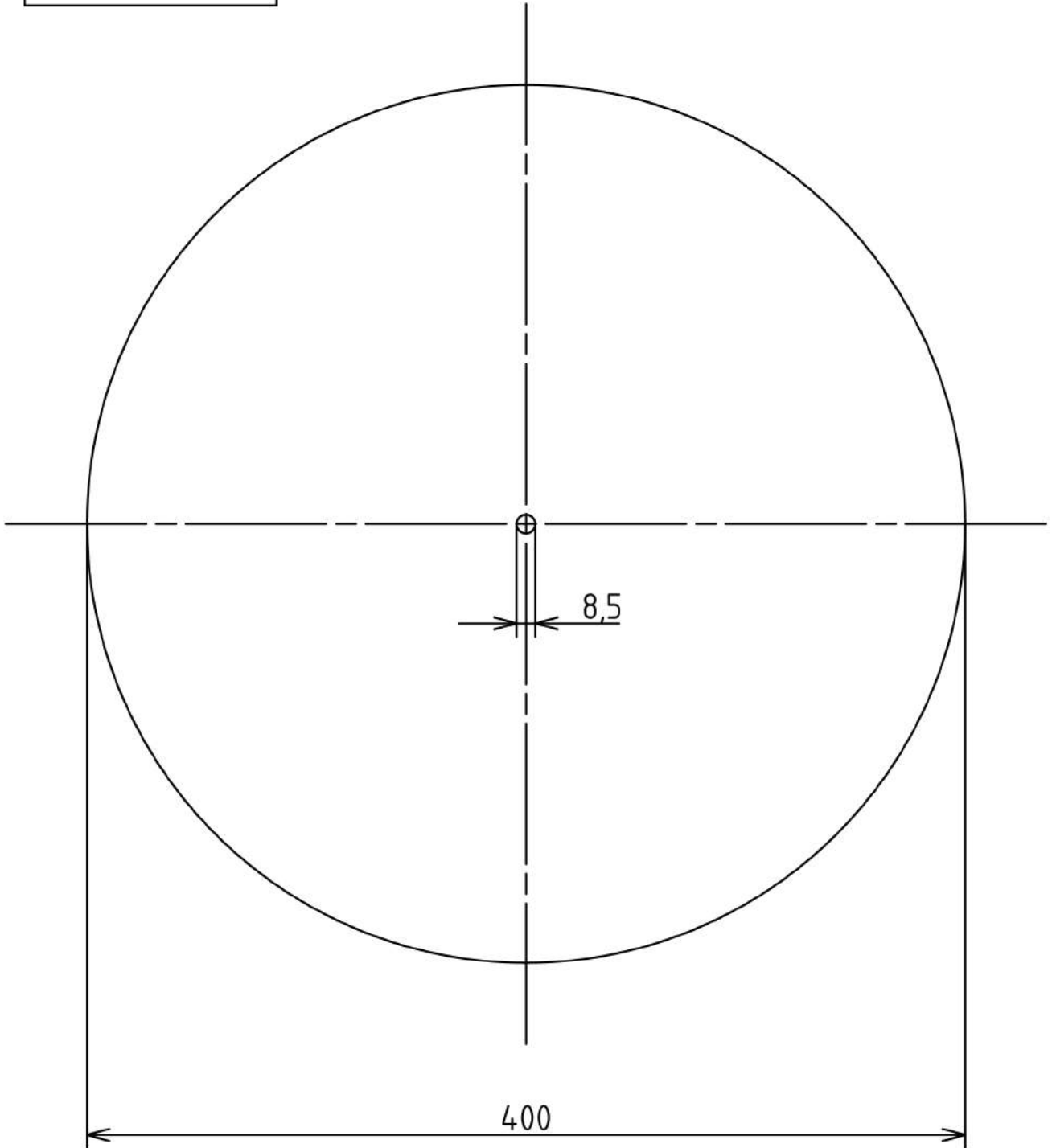


1.



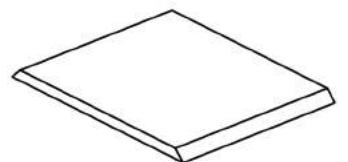
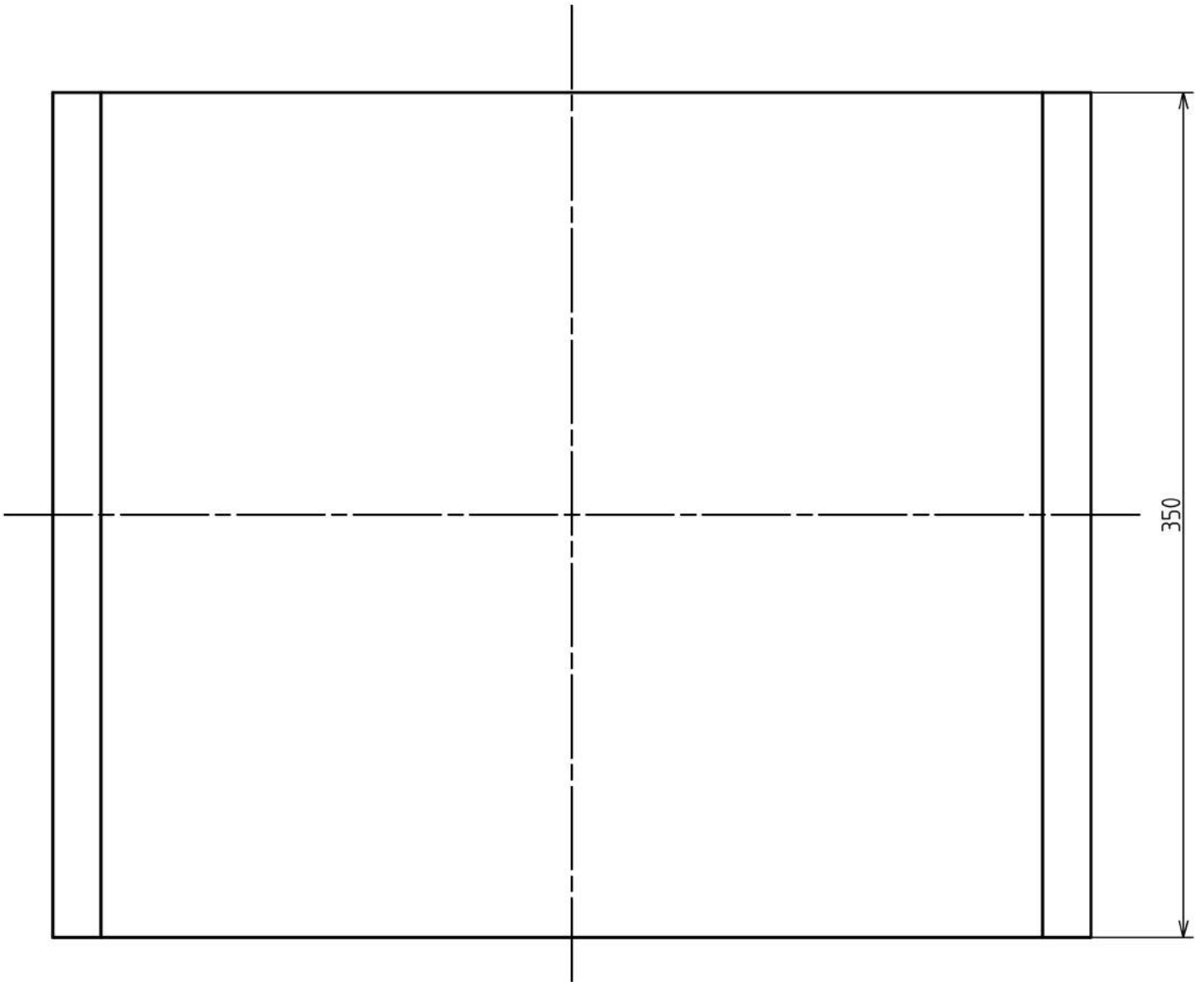
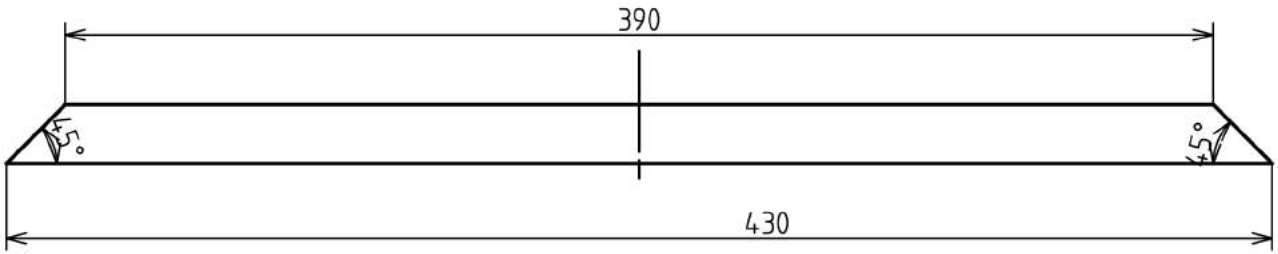
3.

Thickness 18



5.

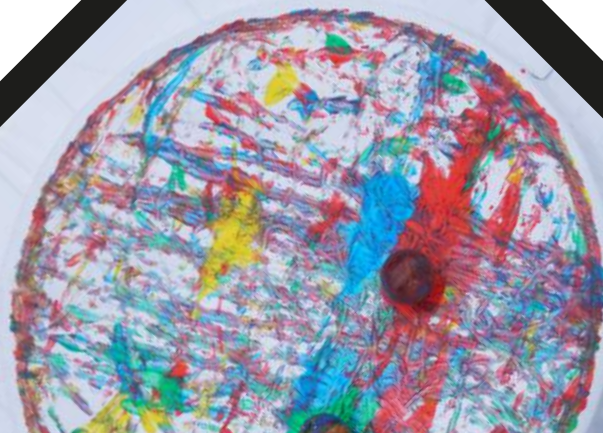
Thickness 18



---

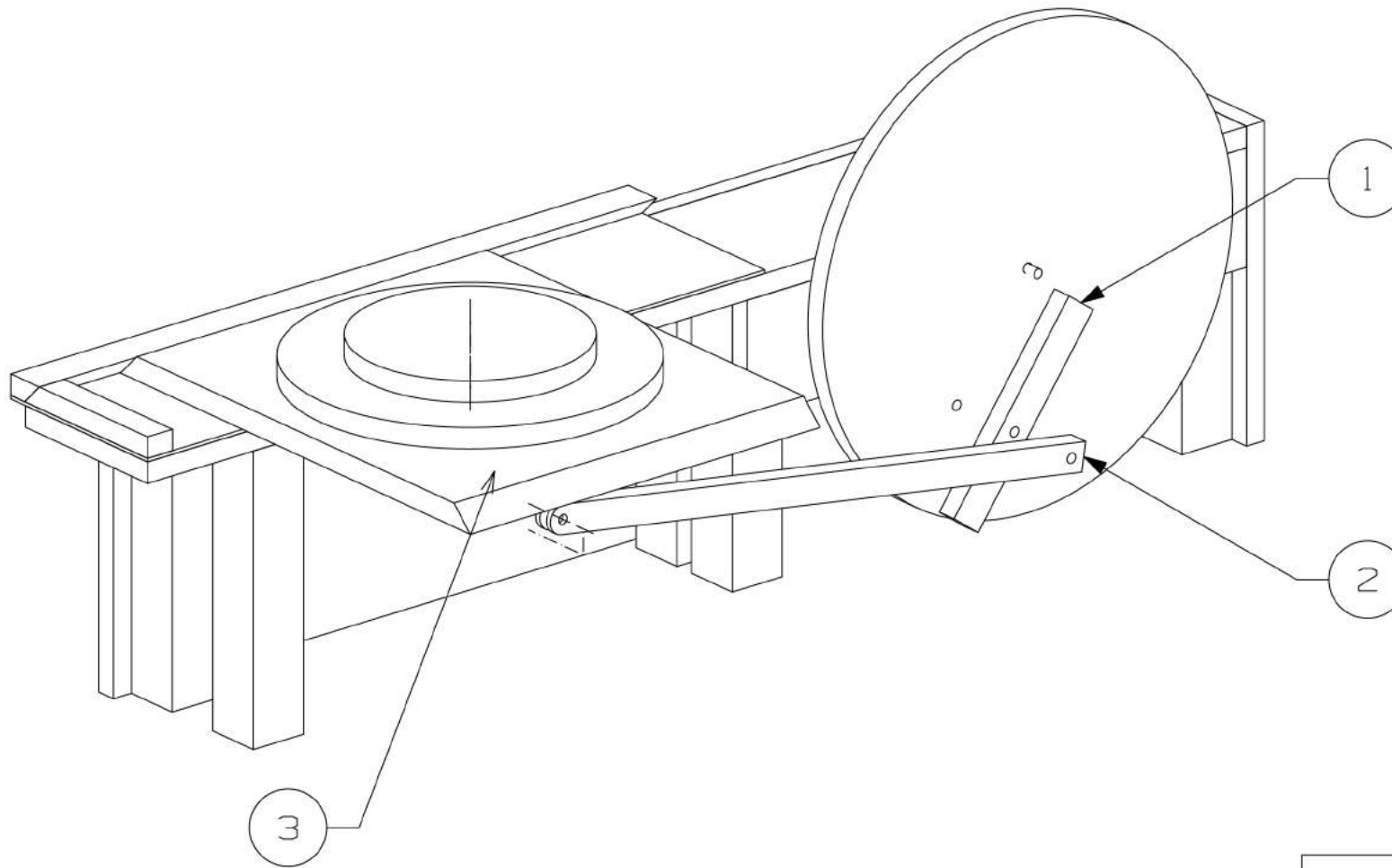
# Subassembly Rod & Circular Stencils

---

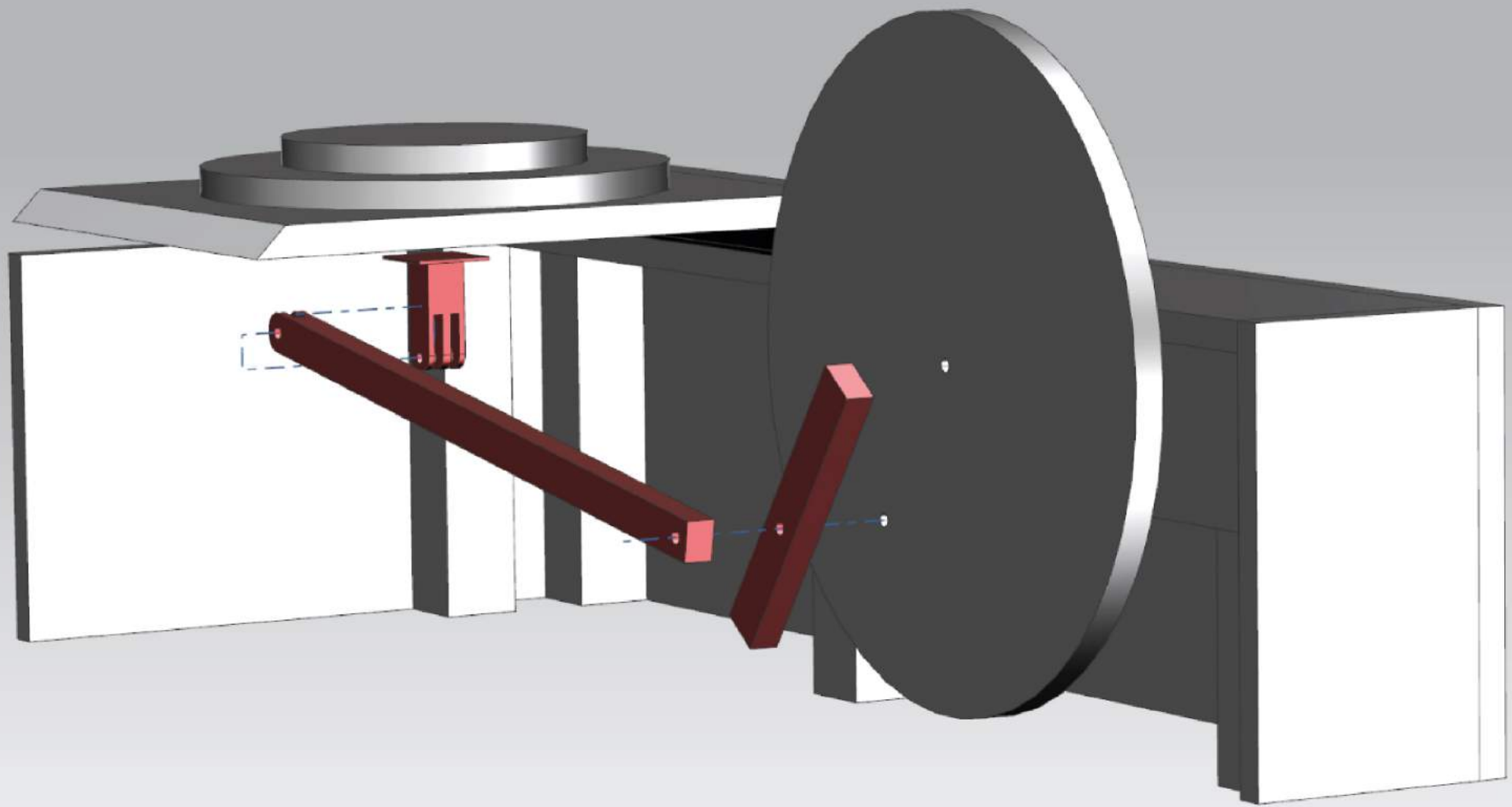


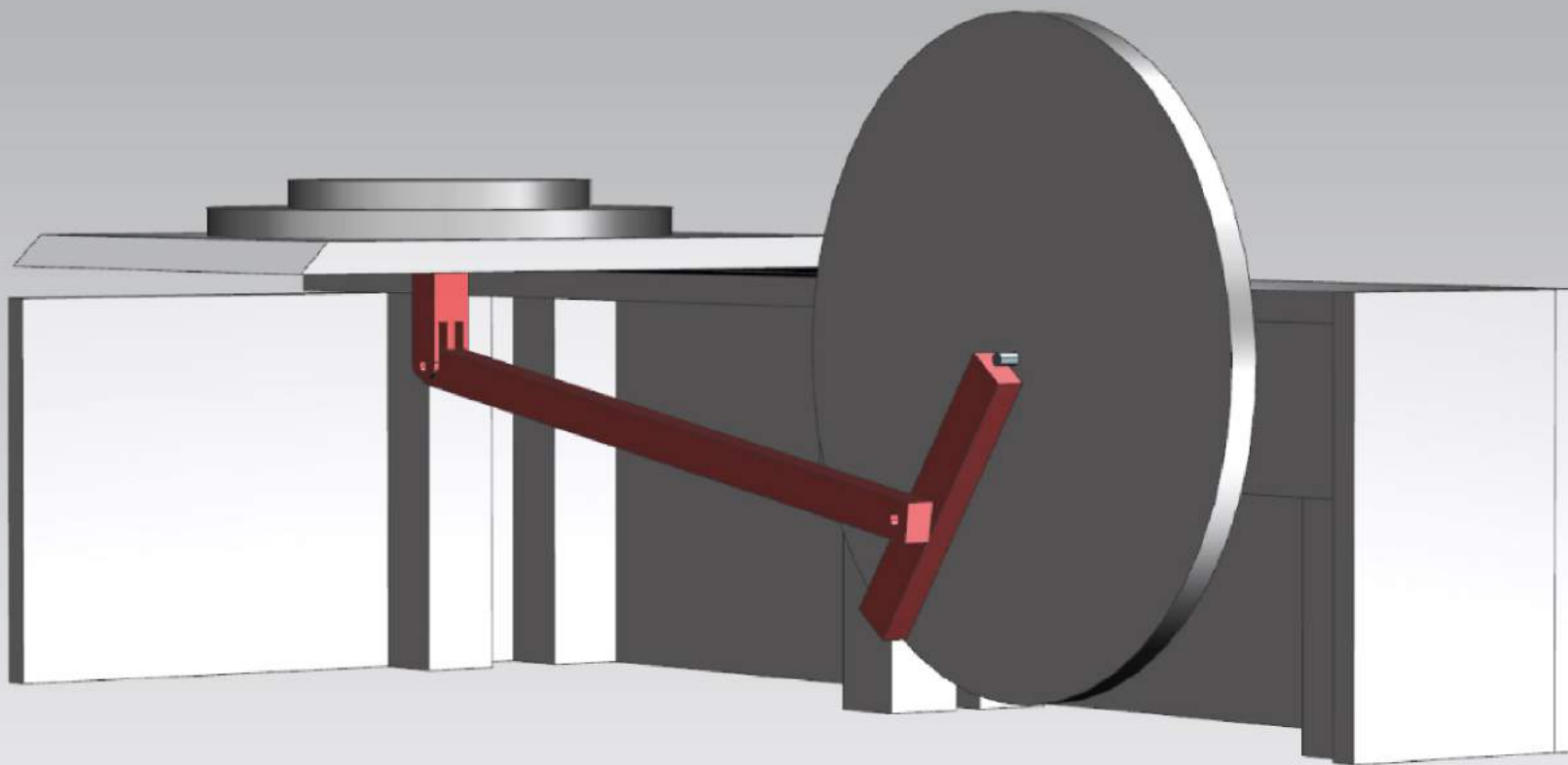


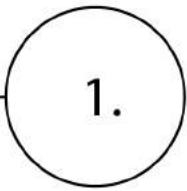
# Exploded View



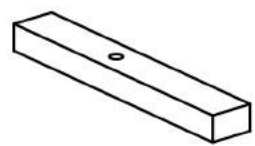
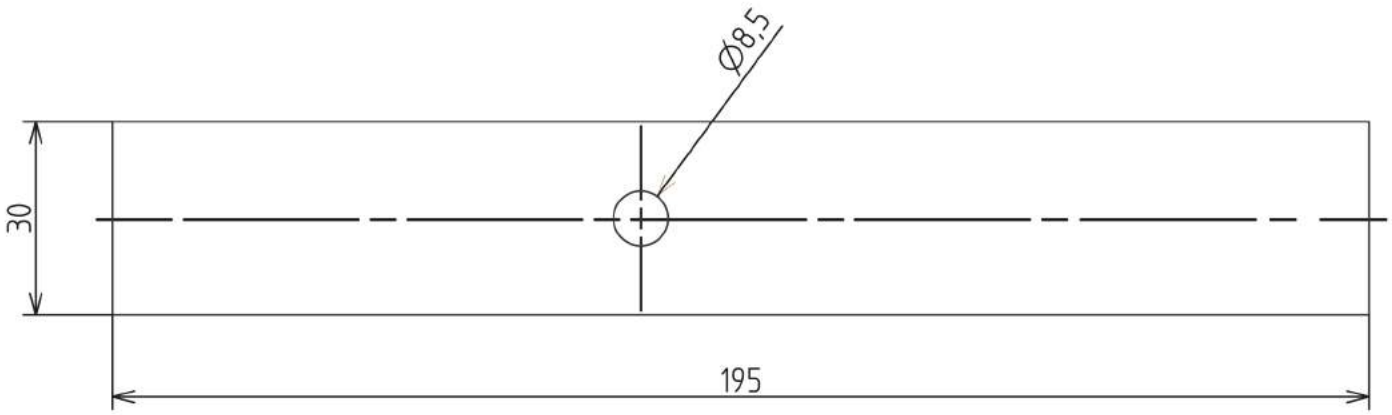
3	STUK - VOOR - KR UK - SLEUF	1
2	DRIJFSTANG	1
1	BLOKJE DRIJFSTANG	1
PC NO	PART NAME	QTY





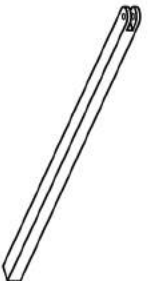
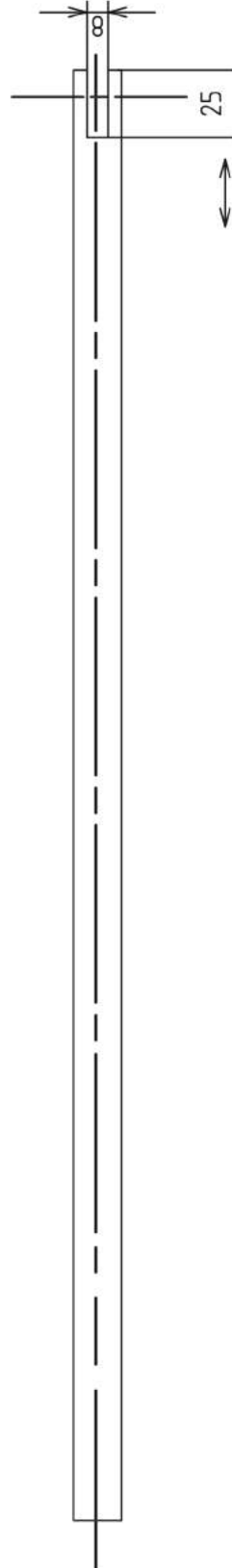
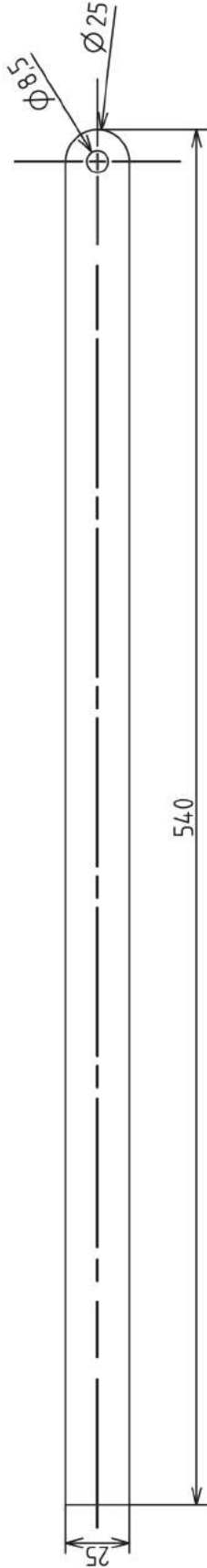


Thickness 18

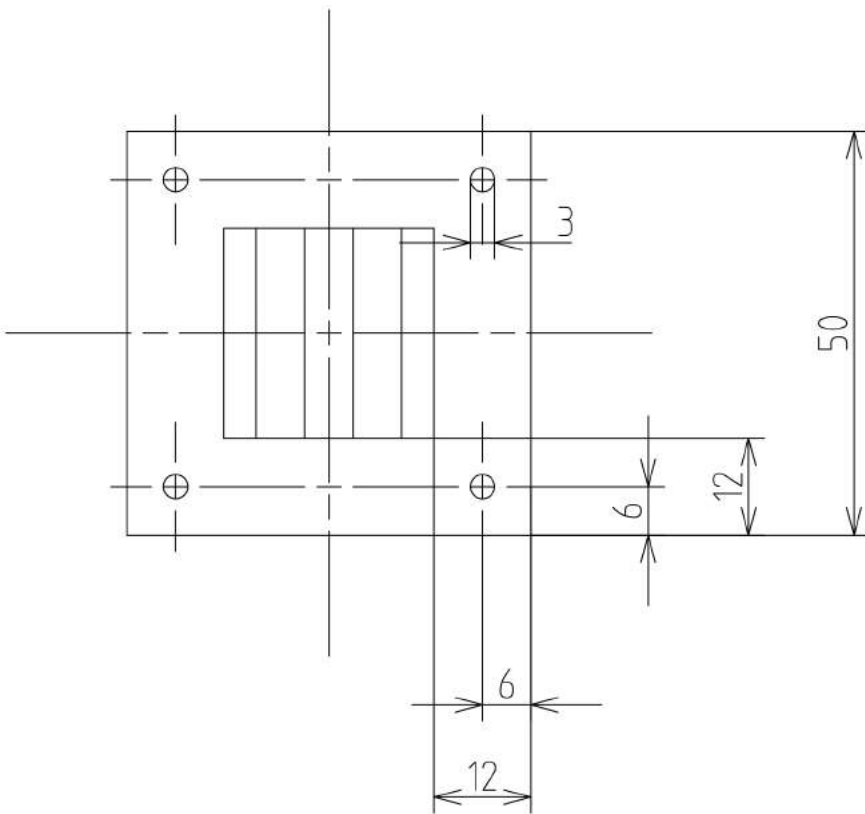
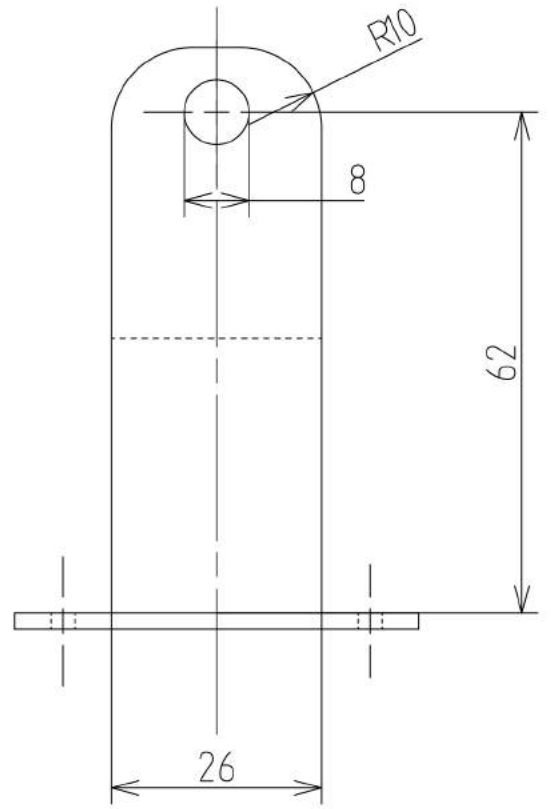
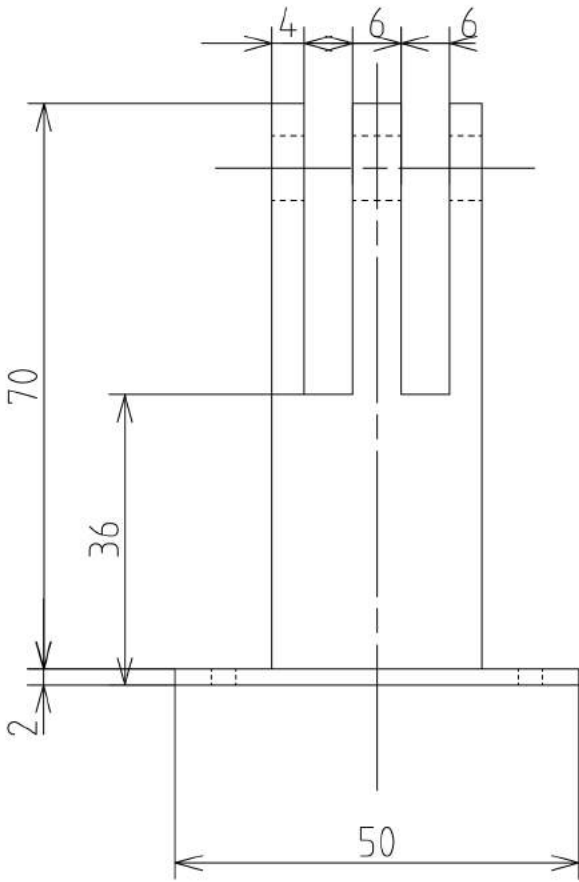


2.

Thickness 18



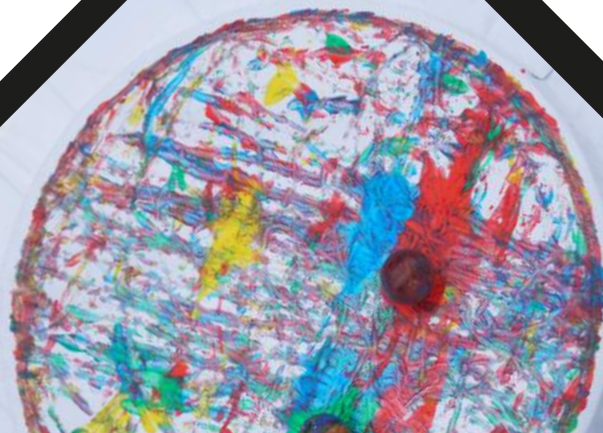
3.



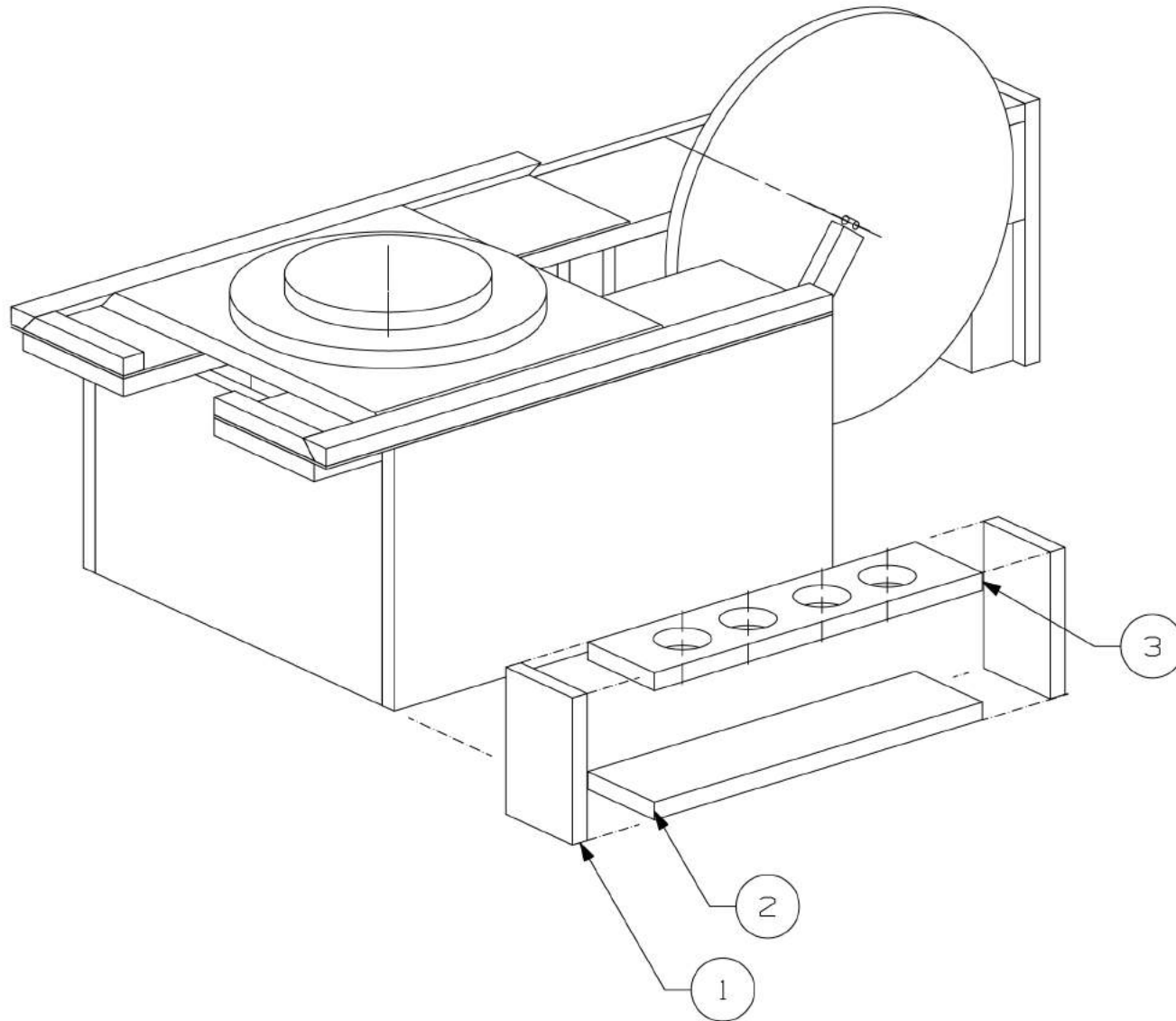
---

# Subassembly Paint Rack

---



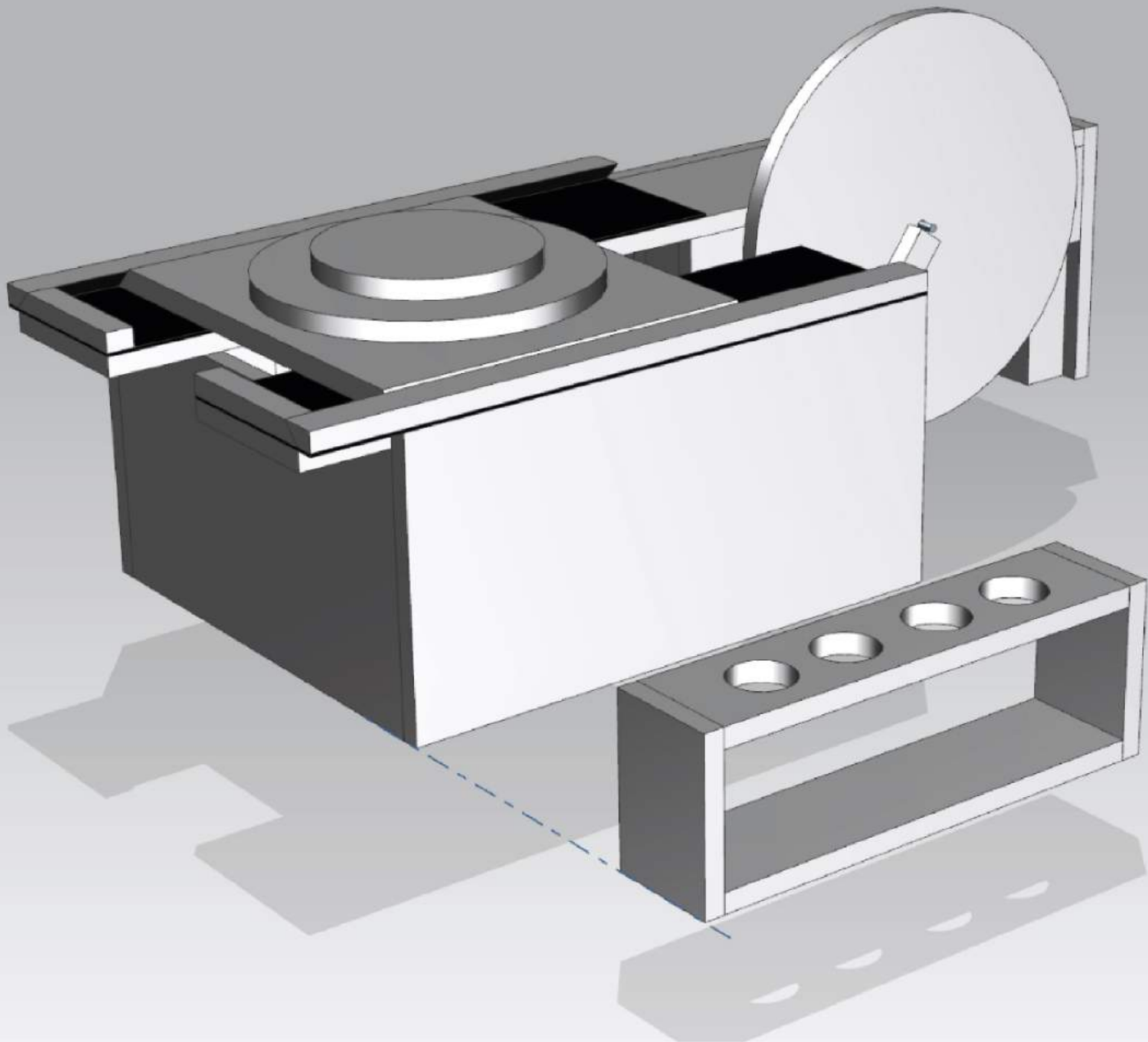
# Exploded View

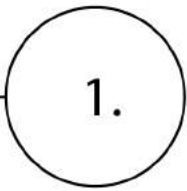


3	VERFREK_PLAA T MET GATEN	1
2	VERFREK_ONDE RPLAAT	1
1	VERFREK_ZIJP LATEN	2
PC NO	PART NAME	QTY

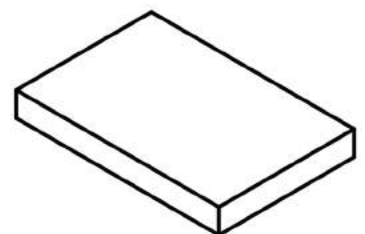
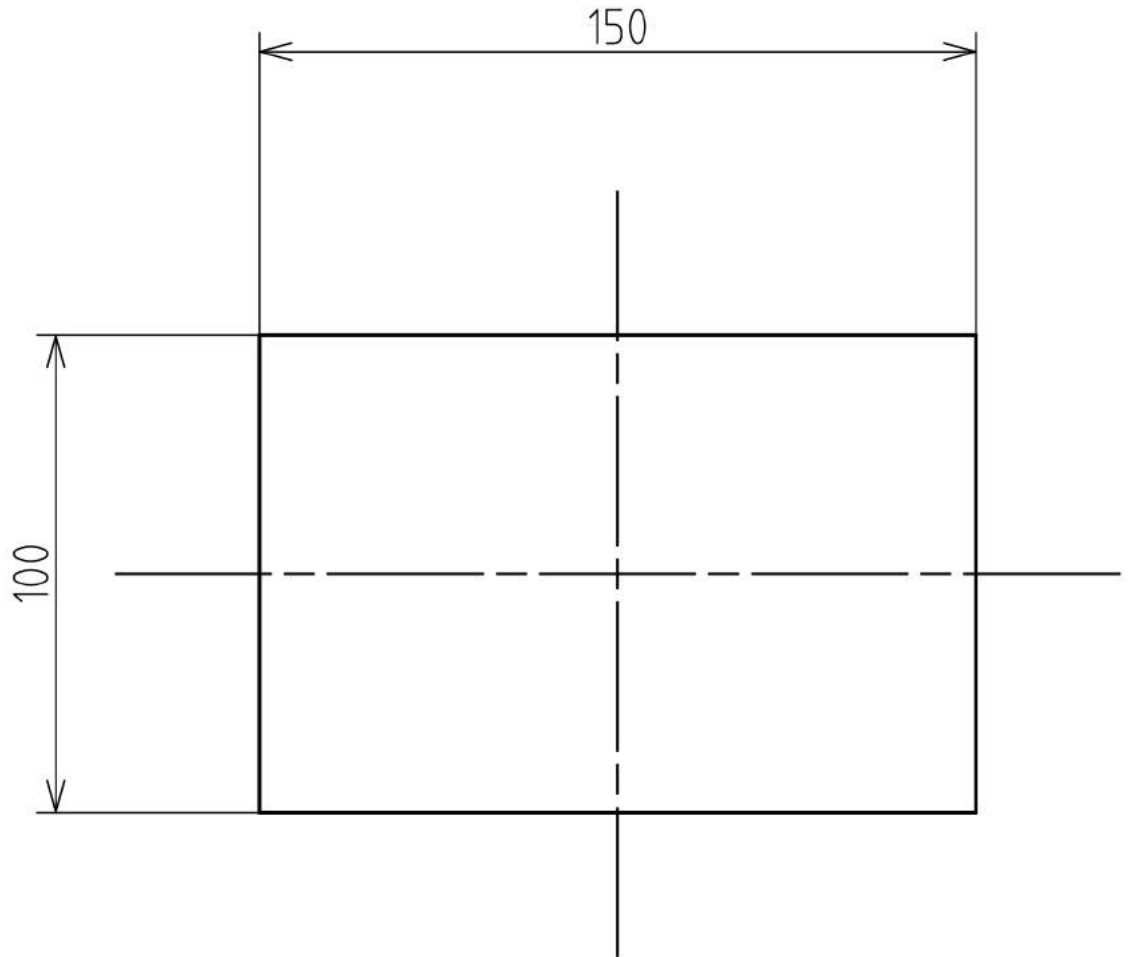






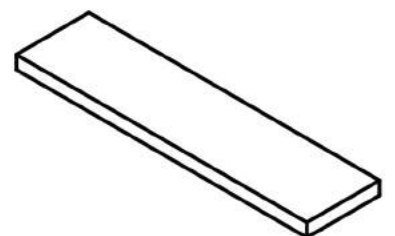
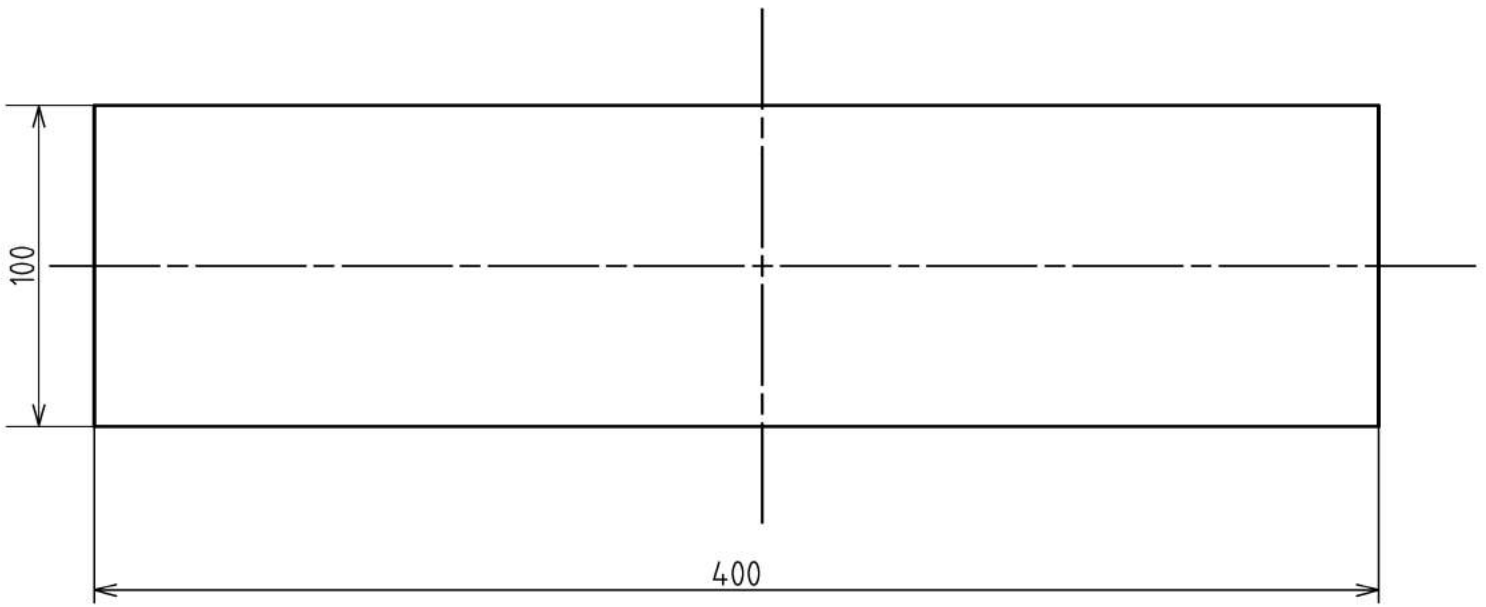


Thickness 18

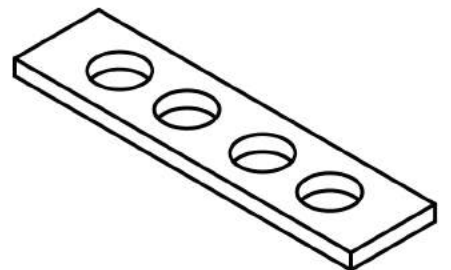
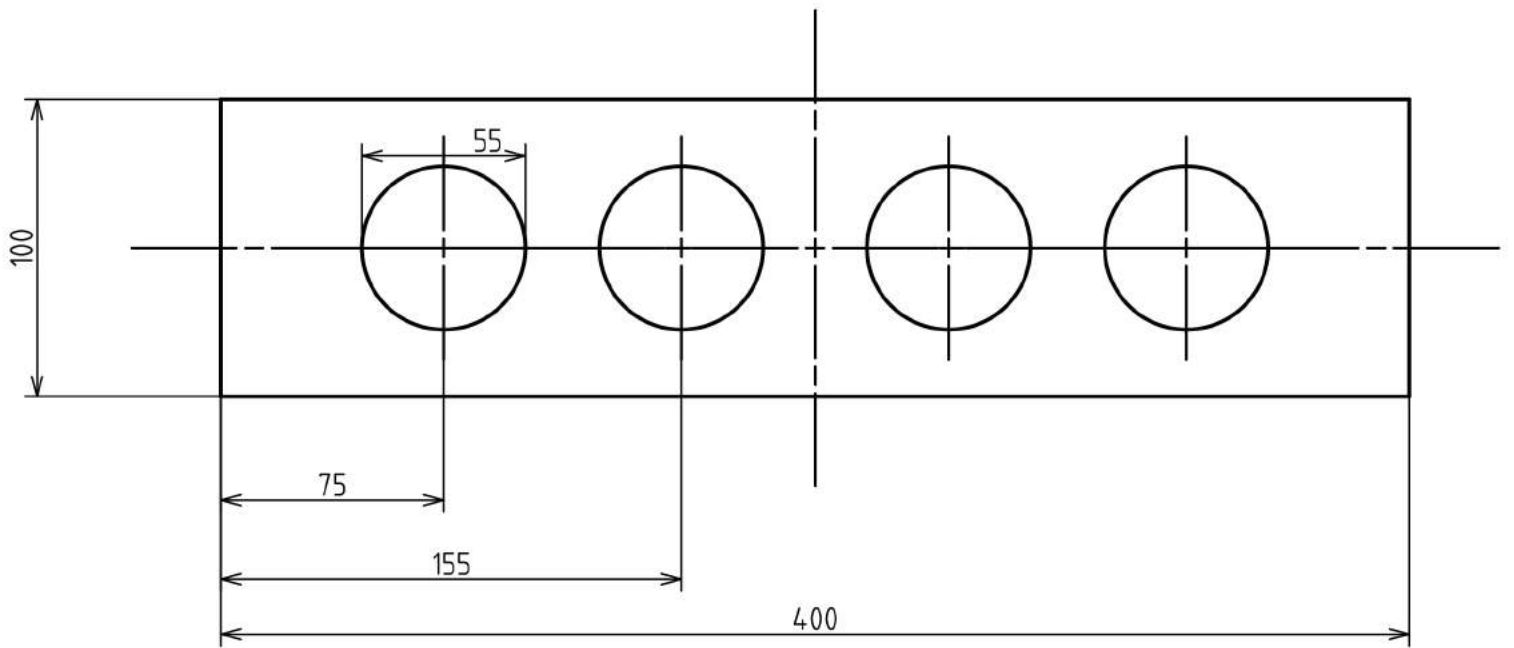


2.

Thickness 18



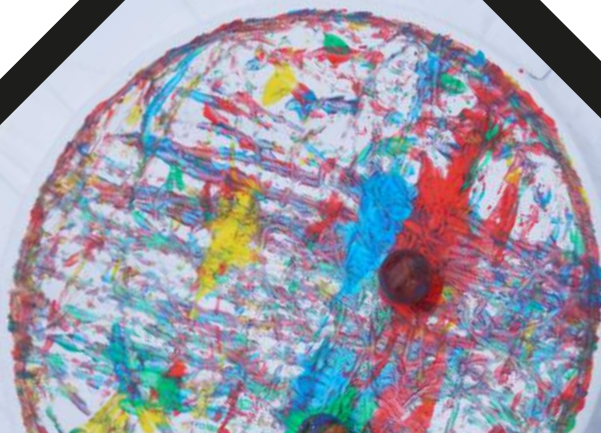
3.



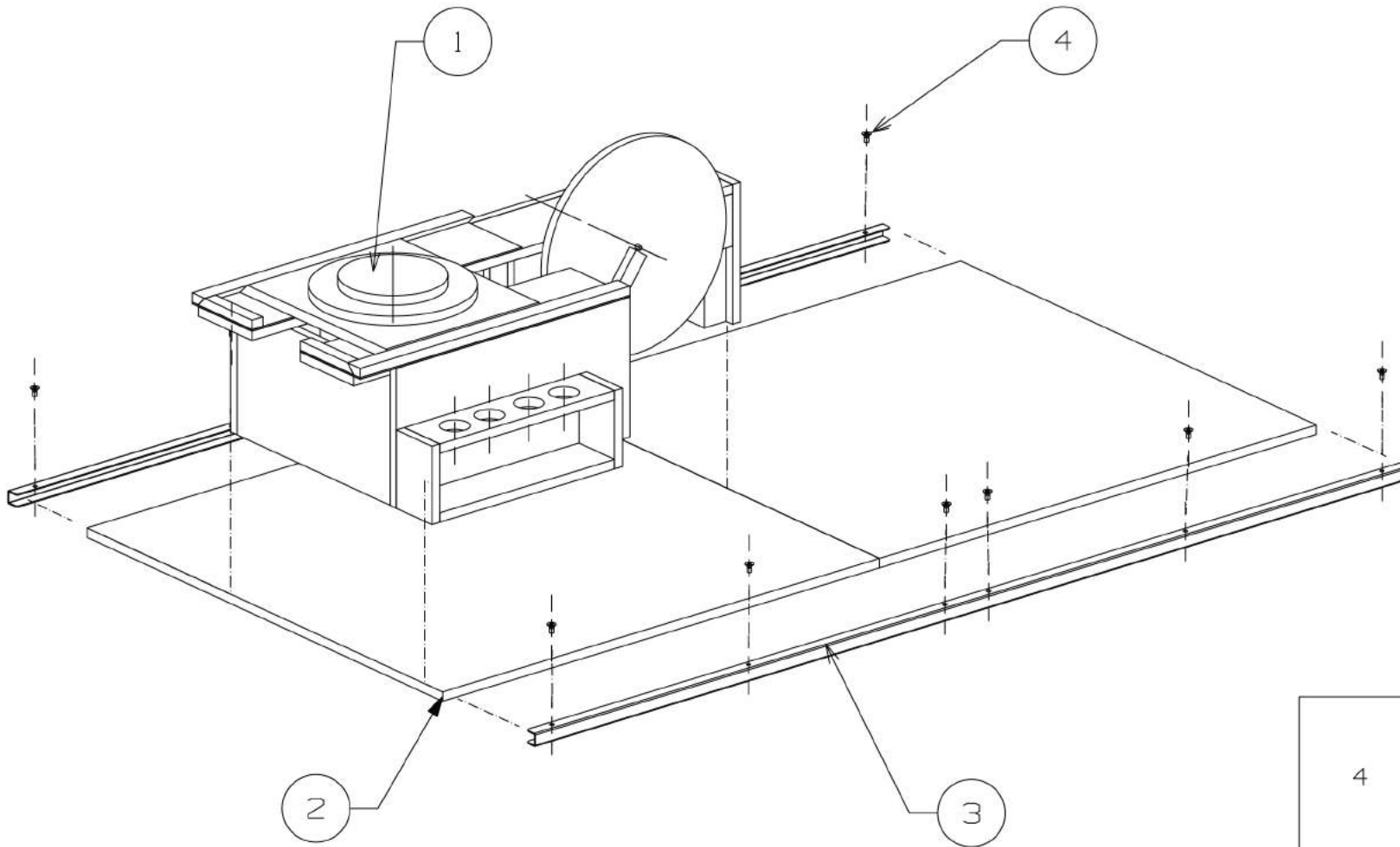
---

## Assembly Profile - Rod & Ground Plate

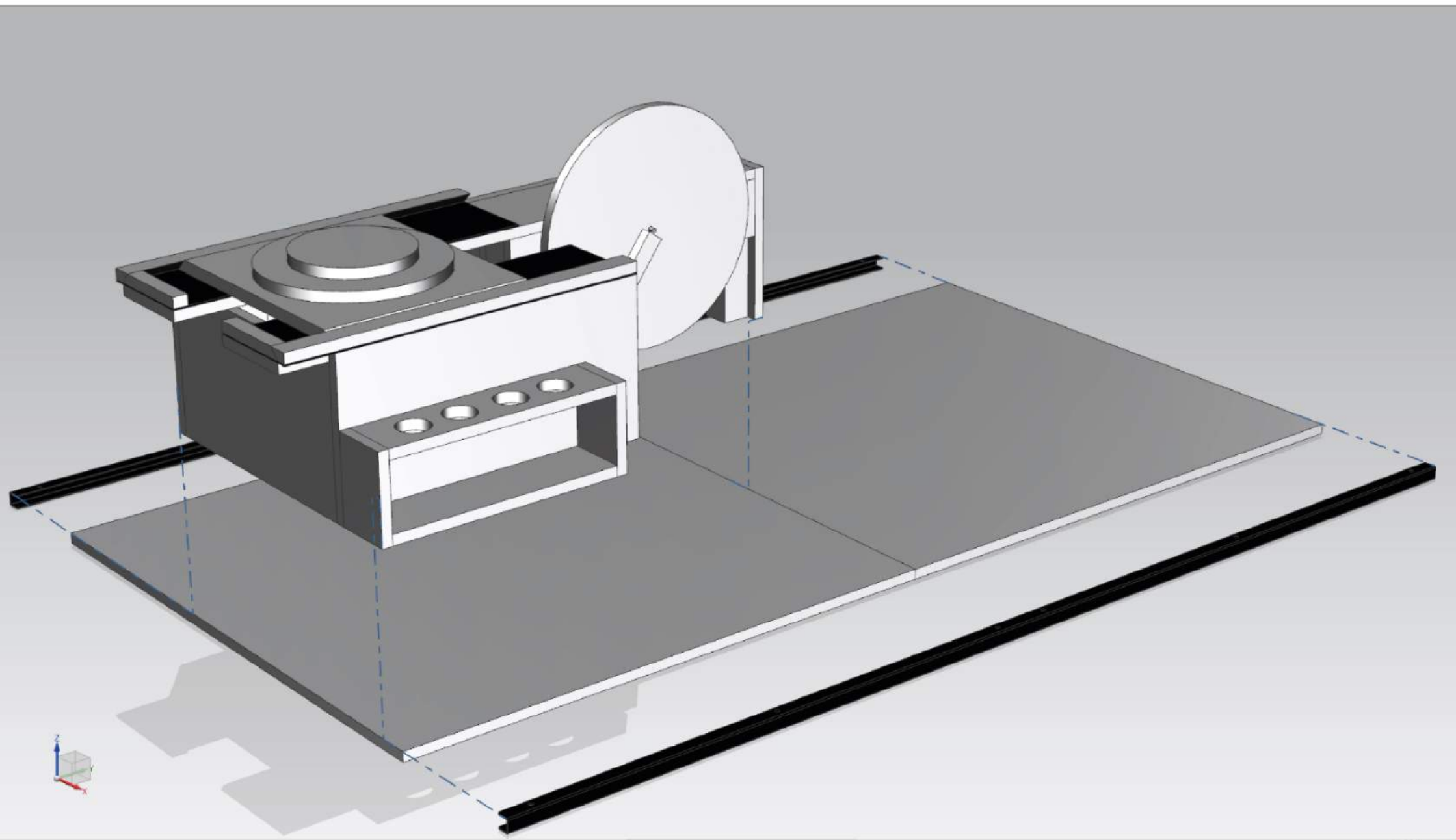
---



# Exploded View

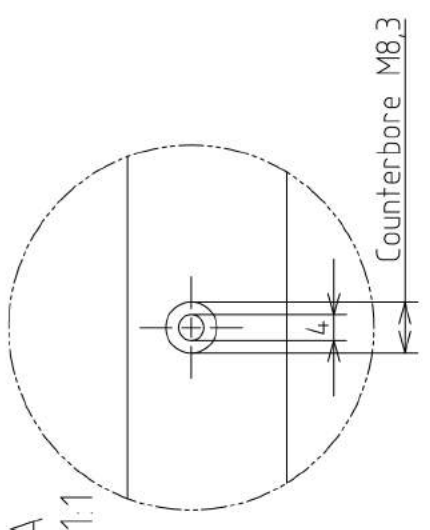
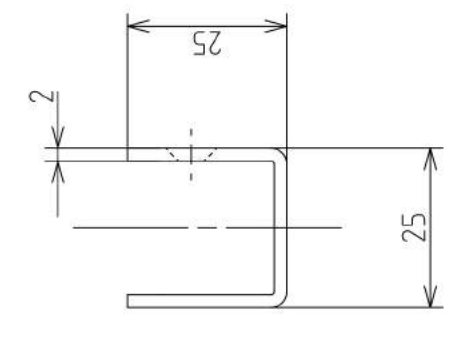
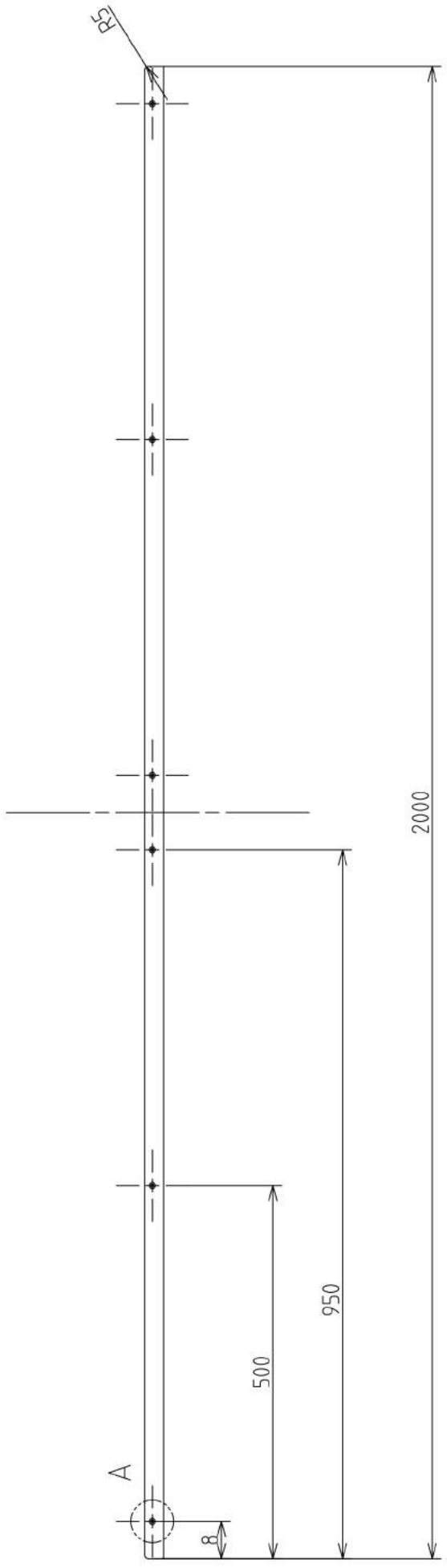


4	C-REC C-SUNK FLAT HEAD SCREW, H SHALLOW, FULL THD, DIN, M8X16	12
3	U-PROFIEL	2
2	GRONDPLAAT	2
1	Dr i jfstang systeem	1
PC NO	PART NAME	QTY





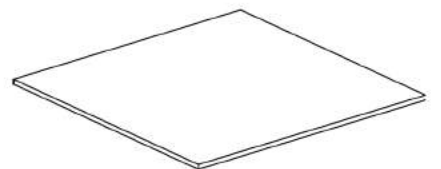
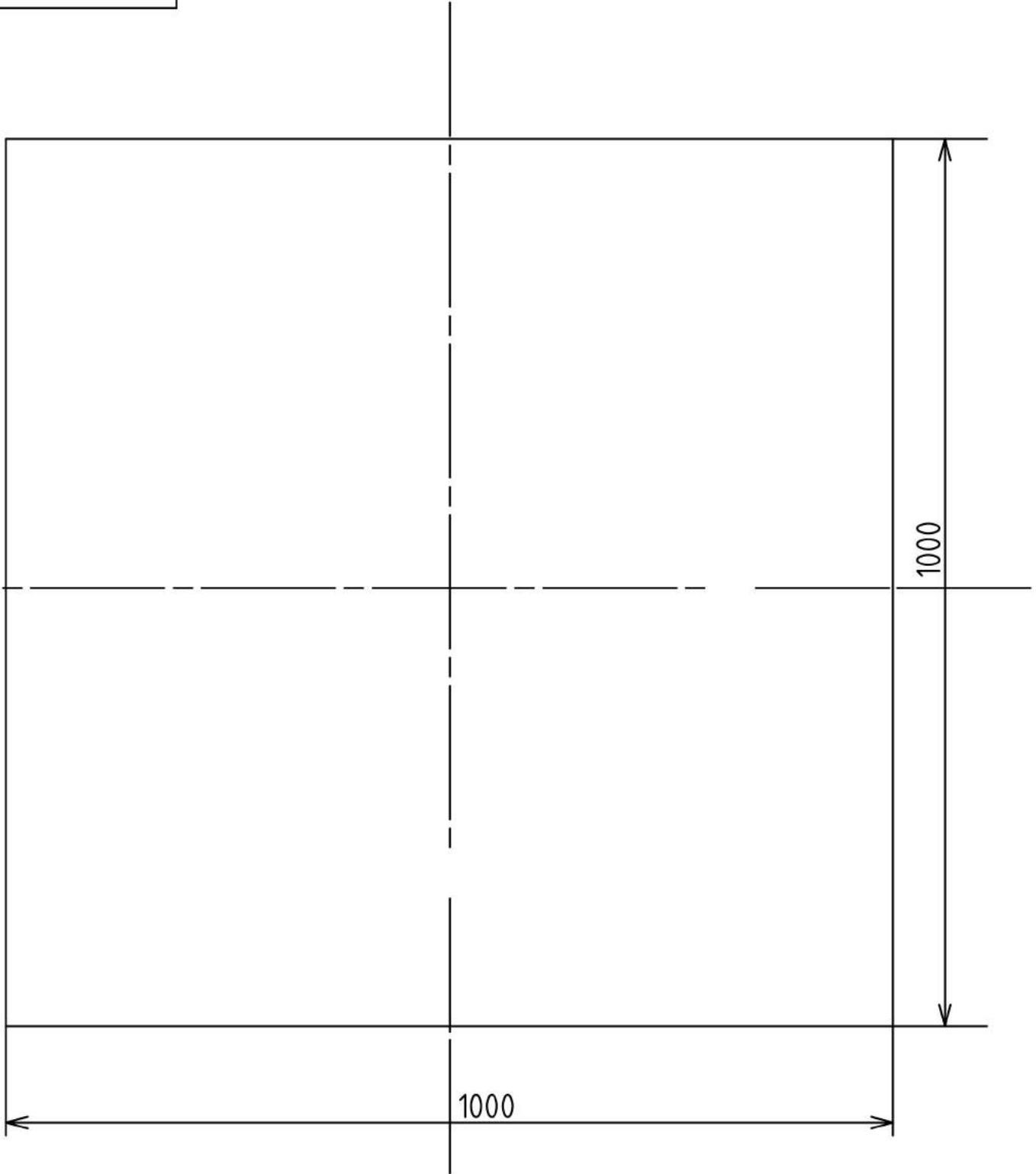
2.



DETAIL A  
SCALE 1:1

3.

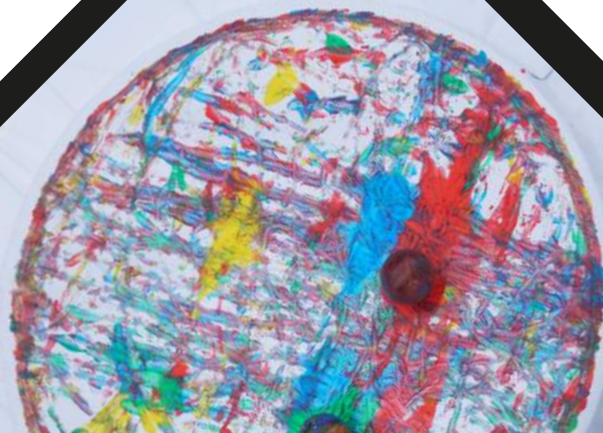
Thickness 18



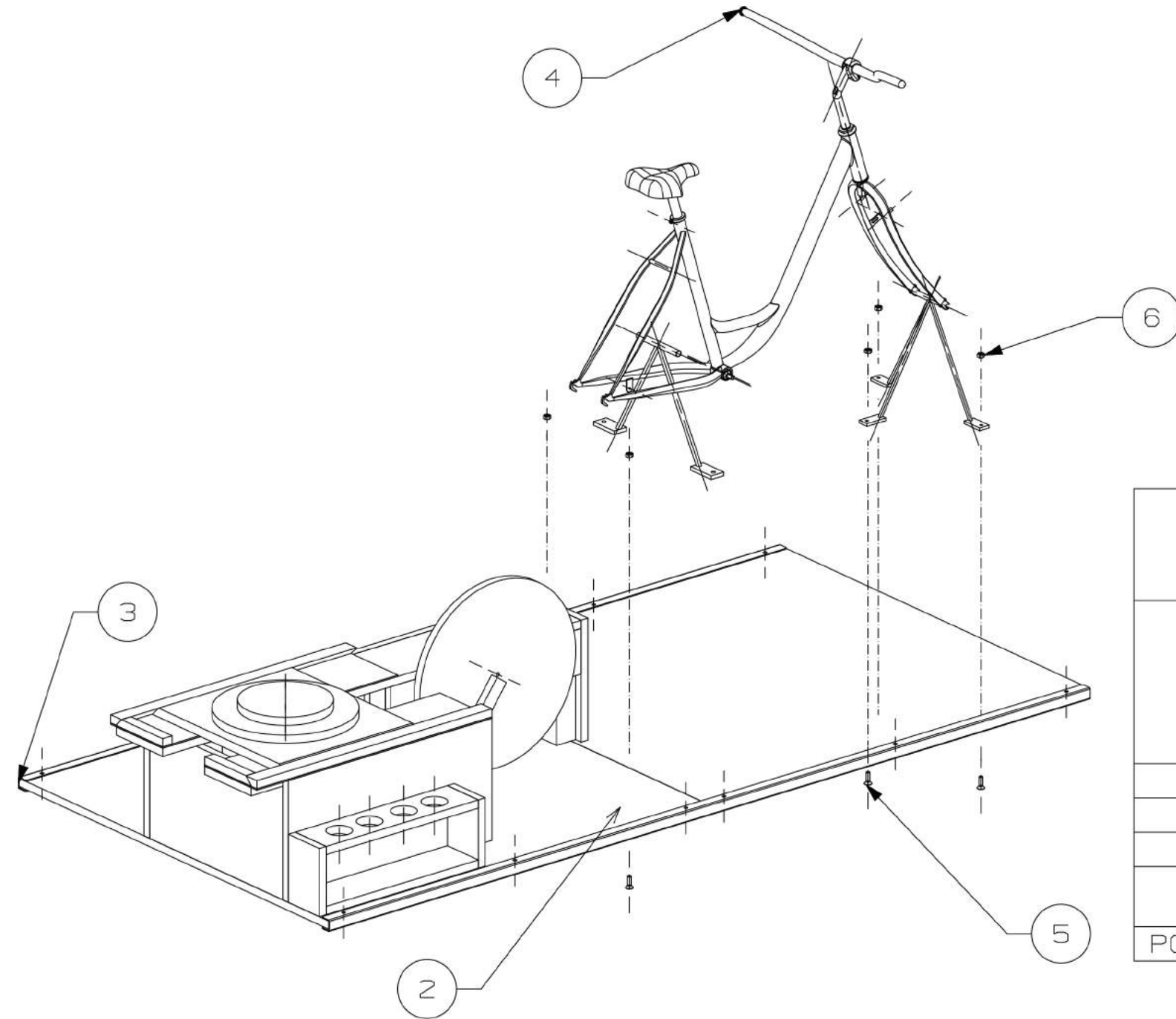
---

# Assembly Bike & Ground Plate

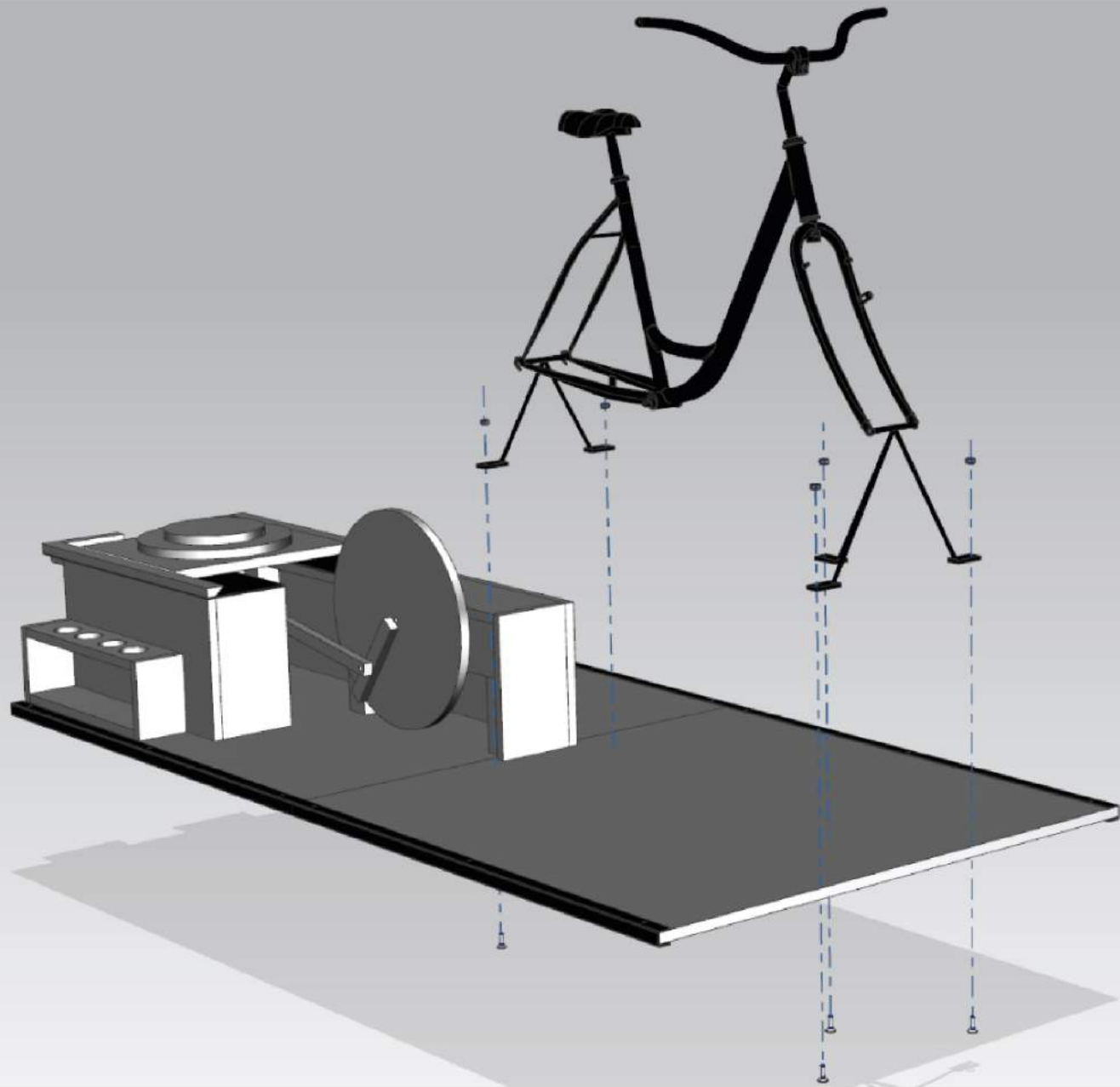
---



# Exploded View



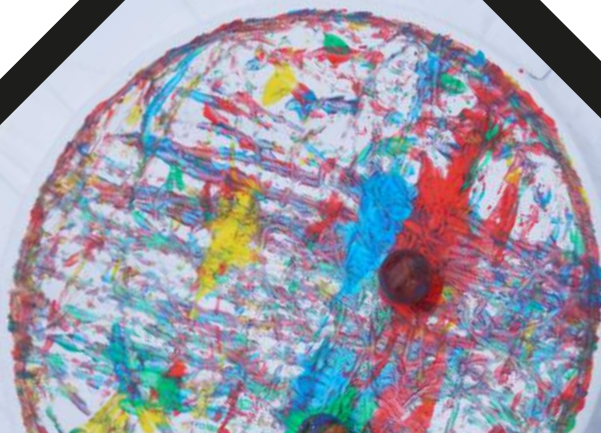
6	HEX NUT, 1 B, FINE THD, DIN, M8X1	5
5	C-REC C-SUNK FLAT HEAD SCREW, H, FULL THD, DIN, M8X25	5
4	FIETS	1
3	U-PROFIEL	2
2	GRONDPLAAT	2
1	Fixatie Fiets	2
PC NO	PART NAME	QTY



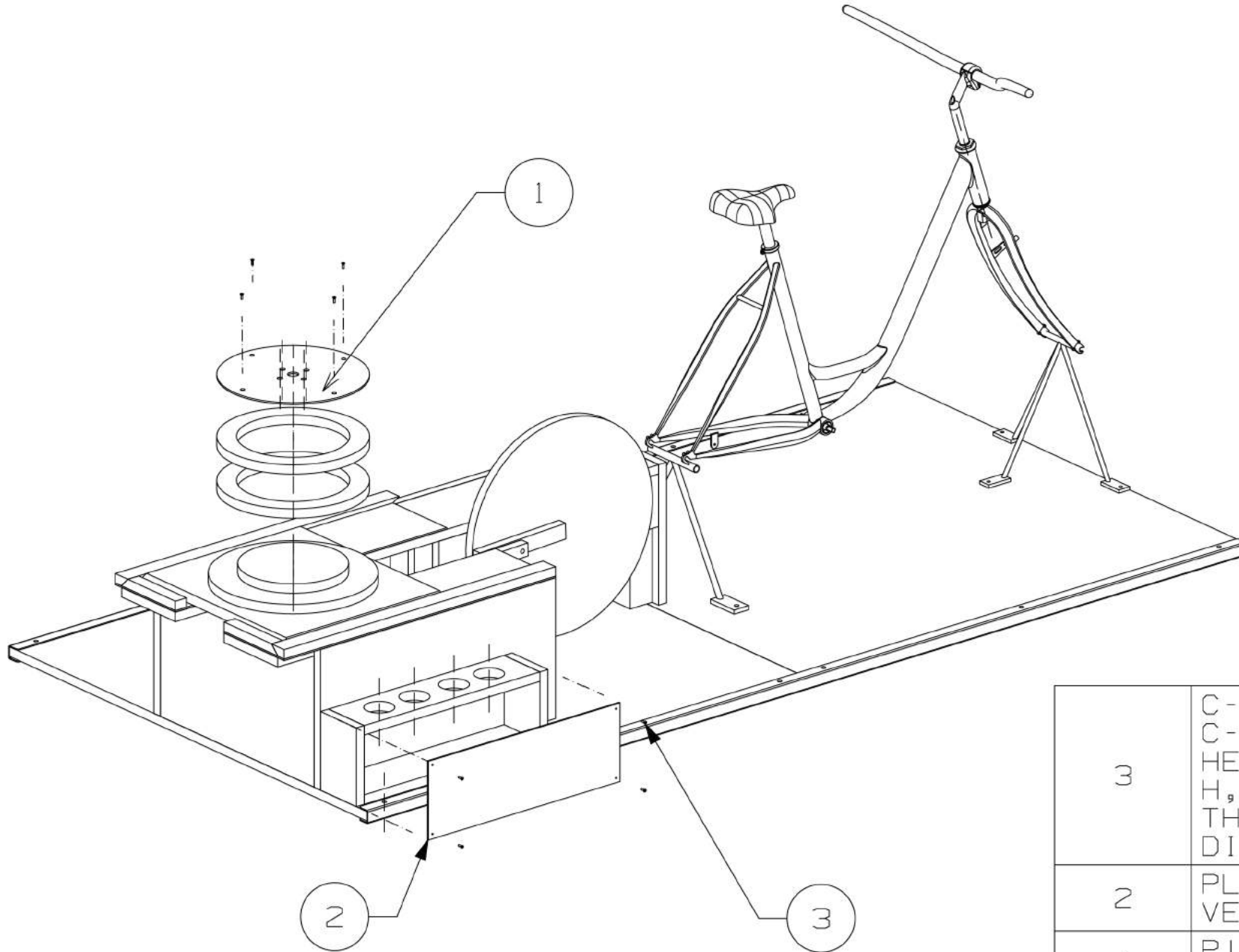
---

# Plexi Pieces

---



# Exploded View



3	C-REC C-SUNK FLAT HEAD SCREW, H, FULL THD, DIN, M3X10	8
2	PLEXI VERFREK	1
1	Plexi sjabloon	1
PC NO	PART NAME	QTY

