

G300

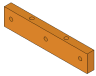
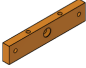


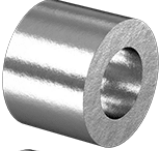



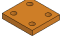
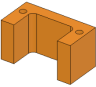
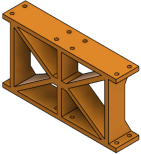
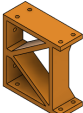
openbom

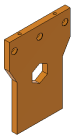
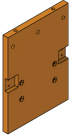
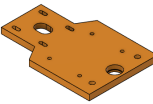
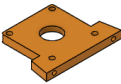
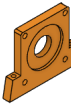
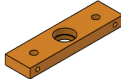
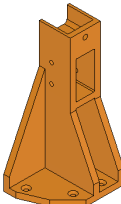
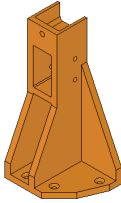
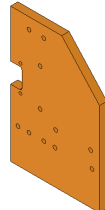
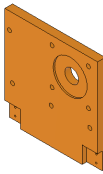



Bill of materials

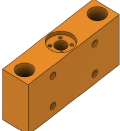
Flattened

3D Printed Parts

Part Number	Quantity	Thumbnail image	Note
Carriage Bottom A.stl	5		20-25g
Carriage Bottom B.stl	1		20-25g
Spacer 20mm	2		
Spacer 23mm	4		2g
Spacer 4.8mm slim	4		
Spacer 6mm	36		
Spacer 9mm	6		
Tensioner A.stl	6		7-10g
Tensioner B.stl	6		2-3g
Tensioner C.stl	2		9-11g
X Bracing C	1		120-130g
X Bracing L	2		65-75g

X Carriage A.stl	1		95-105g
X Carriage B.stl	1		115-130g
X Carriage C.stl	1		105-120g
X Carriage D.stl	1		20g
X Carriage E.stl	1		20-25g
X Carriage F.stl	1		25-30g
Y Base Left.stl	2		80-90g
Y Base Right.stl	2		80-90g
Y Carriage LA.stl	1		115-125g
Y Carriage LB.stl	1		85-95g
Y Carriage RA.stl	1		115-125g

Y Carriage RB.stl	1		85-95g
-------------------	---	---	--------

Z Cart.stl	1		60-70g
------------	---	---	--------

OPTIONAL

Rail Support Y.stl	2		
--------------------	---	---	--

Rail Support X.stl	2		
--------------------	---	--	--

Rail Fix X.stl	1		
----------------	---	---	--

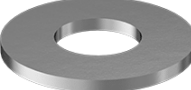
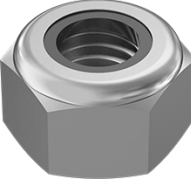


Spindle 52mm A.stl	1		50-60g
--------------------	---	---	--------

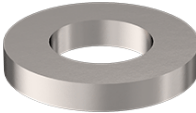
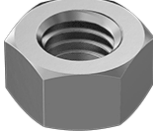




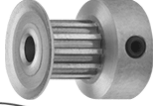
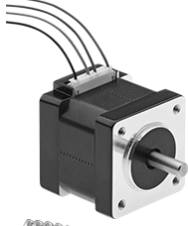







Spindle 52mm B.stl	1		27-35g
--------------------	---	---	--------

Spindle 65mm A.stl	1		50-60g
--------------------	---	---	--------

Spindle 65mm B.stl	1		27-35g
--------------------	---	---	--------

Hardware




Part Number	Quantity	Thumbnail image	Note
M4x25 Hex Head	24		
M4 Washer	68		
M4 Nut	36		
M5x45 Hex Head	6		
M5 Oversize Washer	38		
M5 Locknut	46		
Screw 4x20	16		
2040 profile	4		
M4 T-nut	48		
M4x12 Round Hex	48		
Tensioner Pin D3 L8	8		I used a piece of nail, M3 can also work
GT2 Belt 10mm	3		
M5x55 Round Hex	20		

M5 Washer	54		
M5 Nut	6		
M5x30 Round Hex	12		
M5x75 Rod	16		
625ZZ V-Slot Wheel	24		
Pulley 20T W10 D5 idler	6		
Pulley 20T W10 D8	5		
Nema 23	4		
M2.5x10 plastic screw	12		
M4 Oversize Washer	32		
M6x40 Hex Head	4		ference with router
M6 Washer	4		
M6 Nut	4		
M3x8 Philips	12		
LM8UU	4		

nut 8mm pitch 2mm lead	1	
M3x14 Philips	5	
8mm shaft L200mm	1	
608ZZ	2	
lead screw D8 P2 L220m	1	
2 Closed Belt 10mm 300	1	
M5x45 Round Hex	4	
M4x35 Hex Head	4	
M4 Locknut	4	
M5x70 Countersunk	4	
M5x110 Rod	2	
M5x20 Round Hex	4	
8mm shaft collar	1	

OPTIONAL

Aluminum L20x20x1	4
-------------------	---

iiin 20x40 (external), Rad	2	
M3x8 Countersunk	8	
M4x20 Philips	12	

Electronics

Part Number	Quantity	Thumbnail image	Note
ARDUINO UNO/NANO	1		
TB6600	4		
24VDC 10A Power Supply	1		
Noise filter for limit switch	1		
Limit Switch	7	