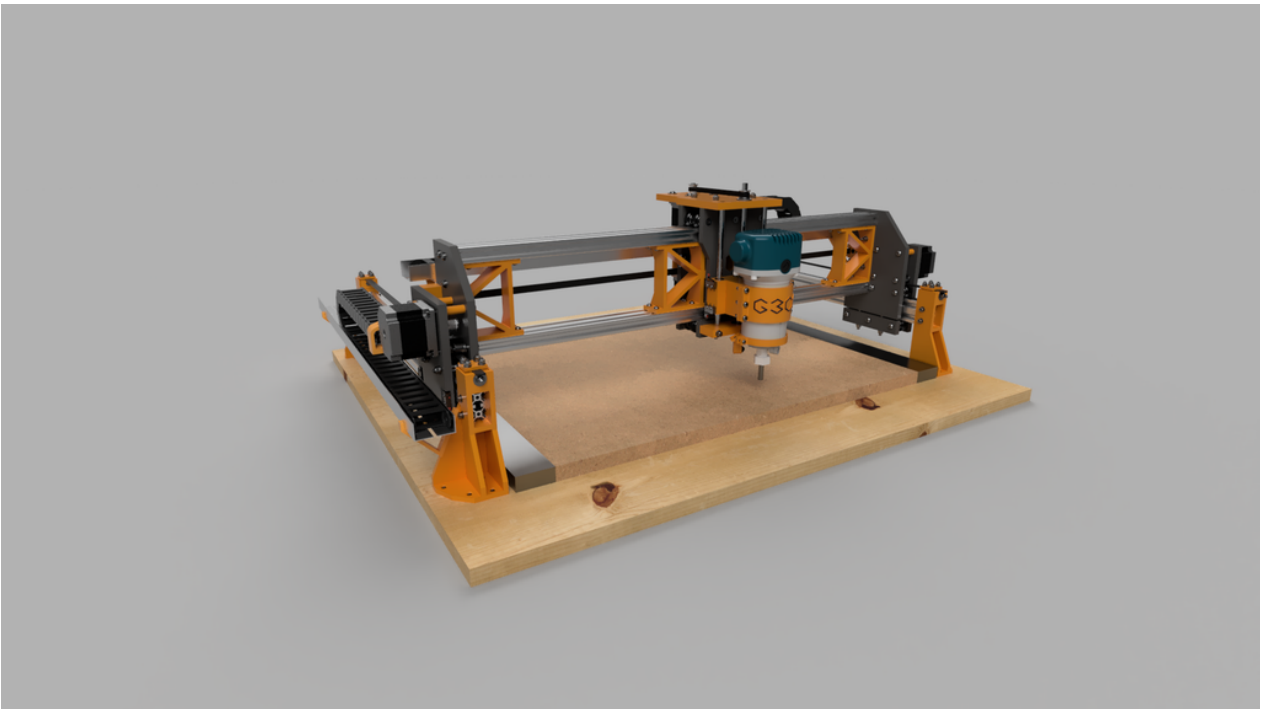


G300

openbom



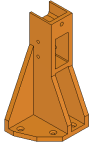
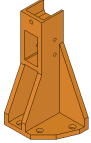

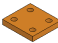
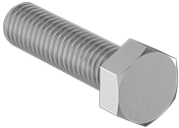
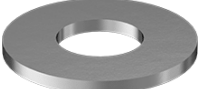
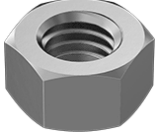
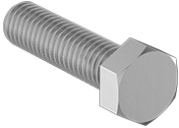
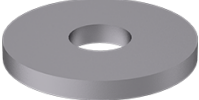
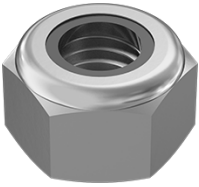


Bill of materials

Multi Level

Made by Grimmjow

Rev. 1.1 27/05/2021

Y Rails (x2)

Part Number	Quantity	Thumbnail image	Note
Y Base Left.stl	1		80-90g
Y Base Right.stl	1		80-90g
Tensioner A.stl	2		7-10g
Tensioner B.stl	2		2-3g
M4x25 Hex Head	8		
M4 Washer	8		
M4 Nut	8		
M5x45 Hex Head	2		
M5 Oversize Washer	2		
M5 Locknut	2		
Screw 4x20	8		
2040 profile	1		

M4 T-nut

8



M4x12 Round Hex

8



M4 Washer


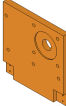
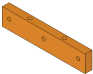


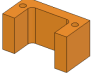

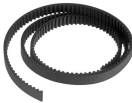


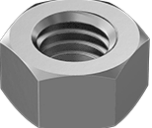
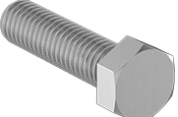
8



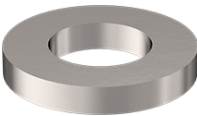
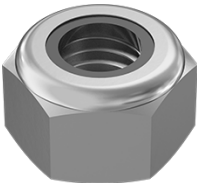



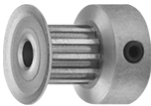

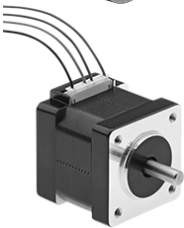


X Rail

Part Number	Quantity	Thumbnail image	Note
2040 profile	2		
X Bracing L	2		65-75g
X Bracing C	1		120-130g
M4x12 Round Hex	32		
M4 Oversize Washer	32		
M4 T-nut	32		
M5 Oversize Washer	4		
M5 Locknut	4		


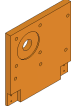
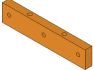


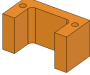

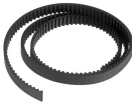
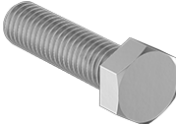

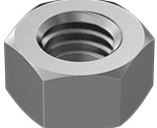
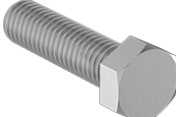
Y Carriage left

Part Number	Quantity	Thumbnail image	Note
Y Carriage LA.stl	1		115-125g
Y Carriage LB.stl	1		85-95g
Carriage Bottom A.stl	2		20-25g
Tensioner A.stl	1		7-10g
Tensioner B.stl	1		2-3g
Tensioner C.stl	1		9-11g
Tensioner Pin D3 L8	4		I used a piece of nail, M3 can also work
GT2 Belt 10mm	1		
M4x25 Hex Head	4		
M4 Washer	4		
M4 Nut	4		
M5x45 Hex Head	1		

M5 Oversize Washer	1		
M5 Locknut	1		
M5x55 Round Hex	4		
M5 Oversize Washer	4		
M5 Washer	2		
M5 Nut	2		
M5x30 Round Hex	6		
M5 Oversize Washer	6		
Spacer 23mm	2		2g
M5x75 Rod	4		
M5 Washer	4		
M5 Locknut	4		
M5x55 Round Hex	6		

M5 Washer	12	
M5 Locknut	6	
625ZZ V-Slot Wheel	6	
Spacer 6mm	12	
Pulley 20T W10 D5 idler	2	
Pulley 20T W10 D8	1	
Spacer 4.8mm slim	2	
Nema 23	1	
Limit Switch	2	
M2.5x10 plastic screw	4	


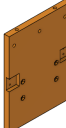
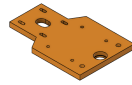
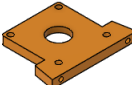
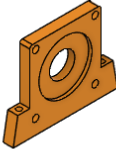
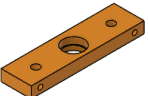
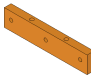
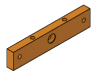


Y Carriage right

Part Number	Quantity	Thumbnail image	Note
Y Carriage RA.stl	1		115-125g
Y Carriage RB.stl	1		85-95g
Carriage Bottom A.stl	2		20-25g
Tensioner A.stl	1		7-10g
Tensioner B.stl	1		2-3g
Tensioner C.stl	1		9-12g
Tensioner Pin D3 L8	4		I used a piece of nail, M3 work fine
GT2 Belt 10mm	1		
M4x25 Hex Head	4		
M4 Washer	4		
M4 Nut	4		
M5x45 Hex Head	1		

M5 Oversize Washer	1		
M5 Locknut	1		
M5x55 Round Hex	4		
M5 Oversize Washer	4		
M5 Washer	2		
M5 Nut	2		
M5x30 Round Hex	6		
M5 Oversize Washer	6		
Spacer 23mm	2		2g
M5x75 Rod	4		
M5 Washer	4		
M5 Locknut	4		
M5x55 Round Hex	6		

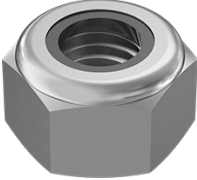
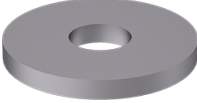

M5 Washer	12		
M5 Locknut	6		
625ZZ V-Slot Wheel	6		
Spacer 6mm	12		
Pulley 20T W10 D5 idler	2		
Pulley 20T W10 D8	1		
Spacer 4.8mm slim	2		1g
Nema 23	1		

X Carriage

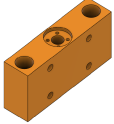
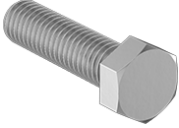
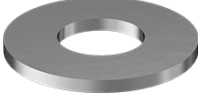








Part Number	Quantity	Thumbnail image	Note
X Carriage A.stl	1		95-105g
X Carriage B.stl	1		115-130g
X Carriage C.stl	1		105-120g
X Carriage D.stl	1		20g
X Carriage E.stl	1		20-25g
X Carriage F.stl	1		25-30g
Carriage Bottom A.stl	1		20-25g
Carriage Bottom B.stl	1		20-25g
8mm shaft L200mm	1		
608ZZ	2		

Lead screw D8 P2 L220mm	1	
Nema 23	2	
! Closed Belt 10mm 300	1	
GT2 Belt 10mm	1	
Pulley 20T W10 D8	3	
Pulley 20T W10 D5 idler	2	
Spacer 20mm	2	
M5 Washer	6	
M5 Nut	2	
M5x45 Round Hex	4	
M4x35 Hex Head	4	
M4 Washer	4	

M4 Locknut	4	
Limit Switch	2	
M2.5x10 plastic screw	4	
625ZZ V-Slot Wheel	12	
Spacer 6mm	12	
Spacer 9mm	6	
M5x70 Countersunk	4	
M5x110 Rod	2	
M5 Washer	8	
M5 Locknut	8	
M5x75 Rod	8	
M5 Oversize Washer	4	
M5 Washer	4	

M5 Locknut	8	
M5 Oversize Washer	4	
M5x20 Round Hex	4	

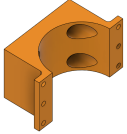
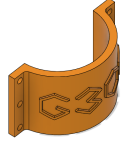

Z Carriage

Part Number	Quantity	Thumbnail image	Note
Z Cart.stl	1		60-70g
M6x40 Hex Head	4		check interference with router
M6 Washer	4		
M6 Locknut	4		
M3x8 Philips	1		
LM8UU	4		
Brass nut 8mm pitch 2mm lead 2mm	1		
M3x14 Philips	4		
Limit Switch	2		
M2.5x10 plastic screw	4		
8mm shaft collar	1		

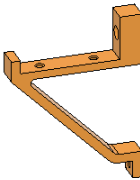
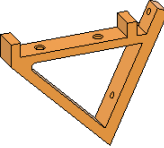
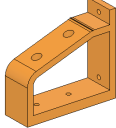
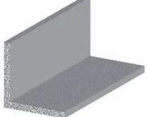


Attachment 1: 52mm Spindle holder

Part Number	Quantity	Thumbnail image	Note
Spindle 52mm A.stl	1		50-60g
Spindle 52mm B.stl	1		27-35g
M4x20 Philips	6		
M4 Washer	12		
M4 Nut	6		

Attachment 2: 65mm Spindle holder

Part Number	Quantity	Thumbnail image	Note
Spindle 65mm A.stl	1		50-60g
Spindle 65mm B.stl	1		27-35g
M4x20 Philips	6		
M4 Washer	12		
M4 Nut	6		

Attachment 3: Cable chain

Part Number	Quantity	Thumbnail image	Note
Rail Support Y.stl	2		
Rail Support X.stl	2		
Rail Fix X.stl	1		
Aluminum L20x20x1	4		
in 20x40 (external), Rad	2		
M3x8 Countersunk	8		
M3x8 Philips	10	