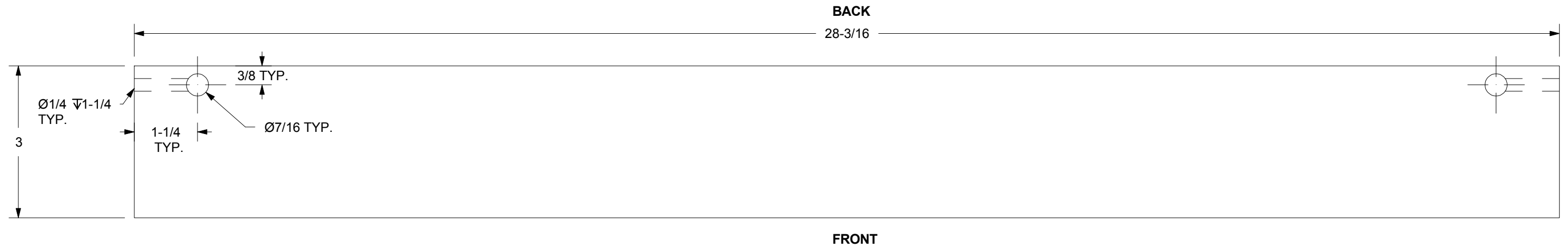


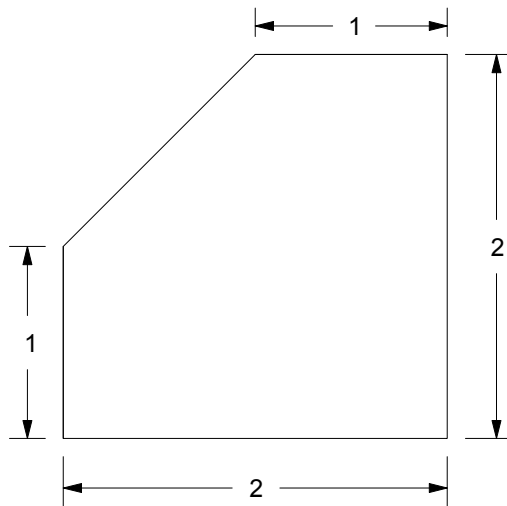
NOTES:
MATERIAL 18MM BIRCH PLY

PART NAME:		GANTRY ASSEMBLY	
DRAWN BY: NC		NO. REQ: 1	
DATE: 21/4/2012		UNITS: INCHES	
SCALE: 1/2" = 1"		SHT: 1 OF 4	
SIZE: TABLOID		REV: 0	



NOTES:
MATERIAL 18MM BIRCH PLY

PART NAME:		GANTRY ASSEMBLY	
DRAWN BY: NC		NO. REQ: 1	
DATE: 21/4/2012		UNITS: INCHES	
SCALE: 1/2" = 1"		SHT: 2 OF 4	
SIZE: TABLOID		REV: 0	

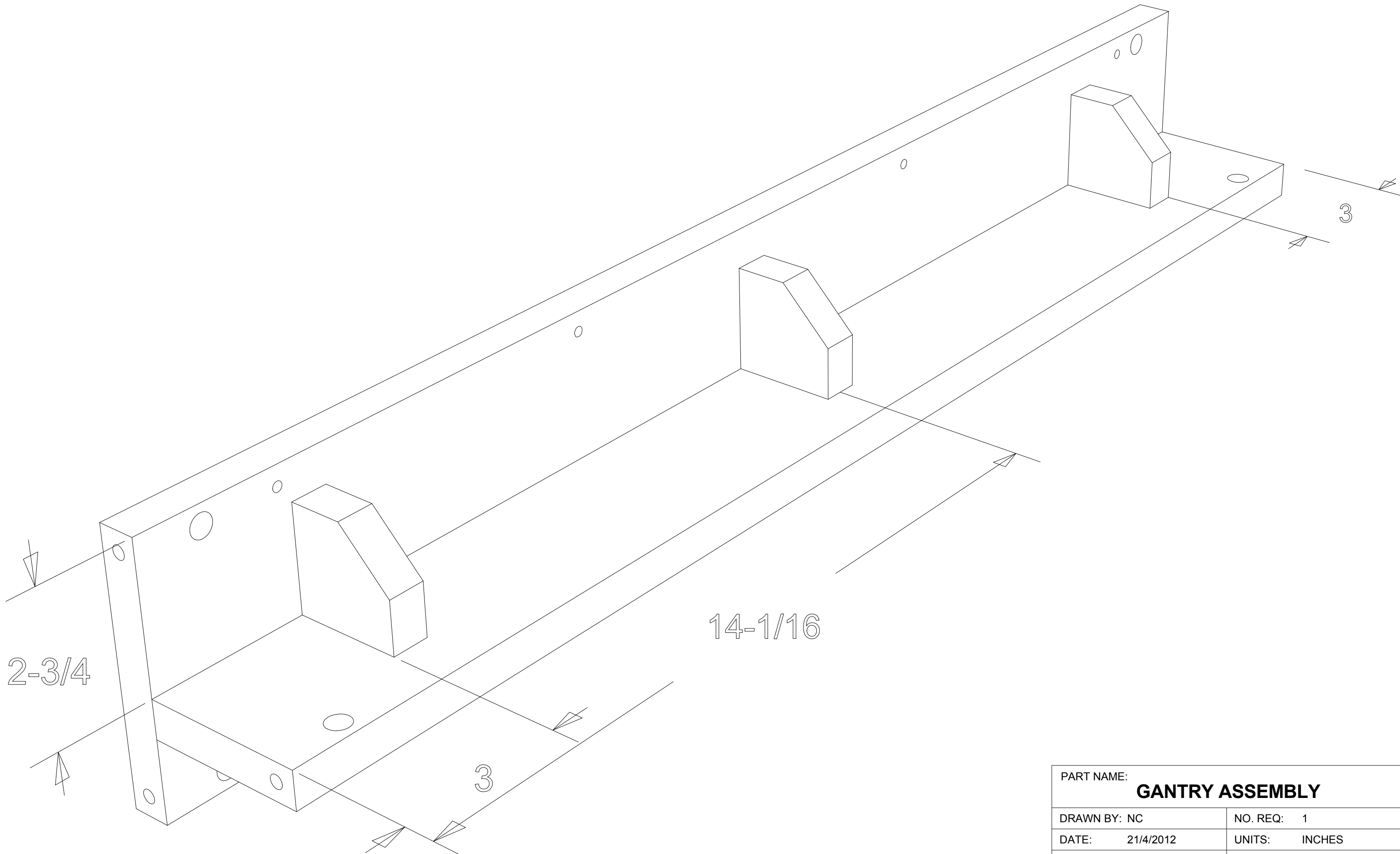


NOTES:
 MATERIAL 18MM BIRCH PLY

PART NAME:

GANTRY ASSEMBLY

DRAWN BY: NC	NO. REQ: 3
DATE: 21/4/2012	UNITS: INCHES
SCALE: 1" = 1"	SHT: 3 OF 4
SIZE: LETTER	REV: 0



PART NAME:		GANTRY ASSEMBLY	
DRAWN BY:	NC	NO. REQ:	1
DATE:	21/4/2012	UNITS:	INCHES
SCALE:	1/2" = 1"	SHT:	2 OF 4
SIZE:	TABLOID	REV:	0