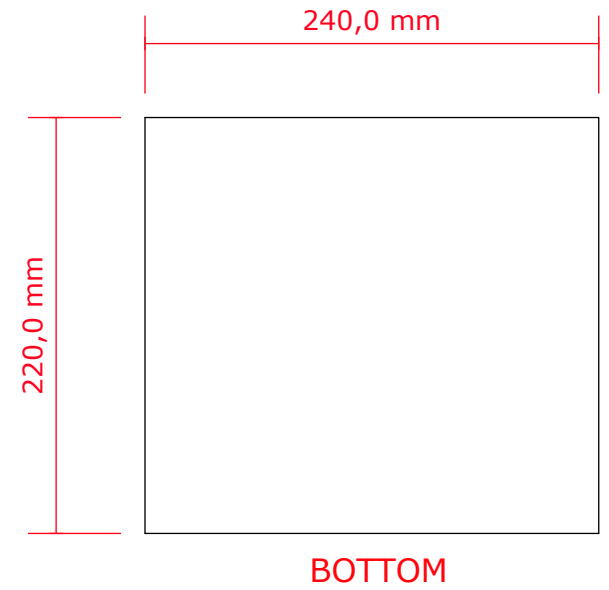
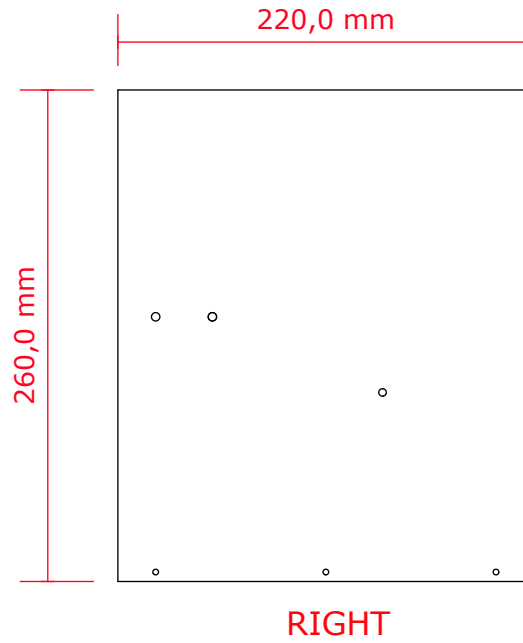
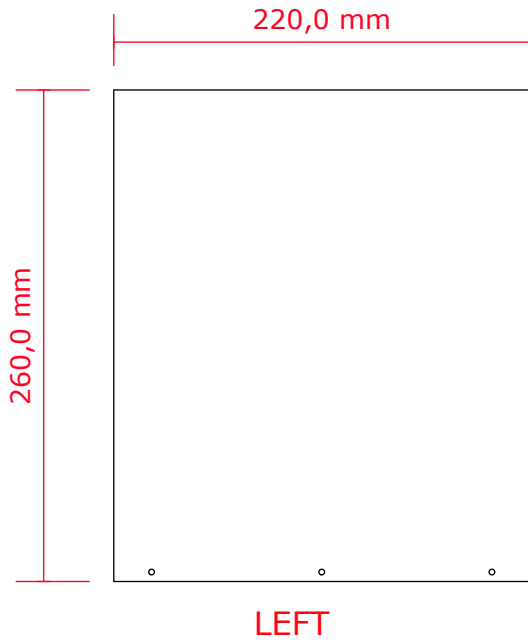
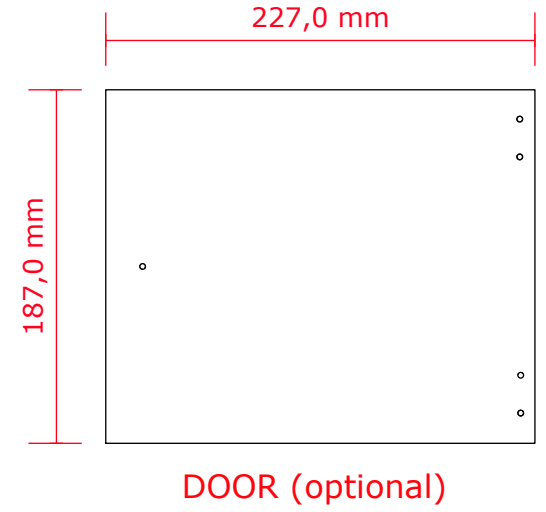
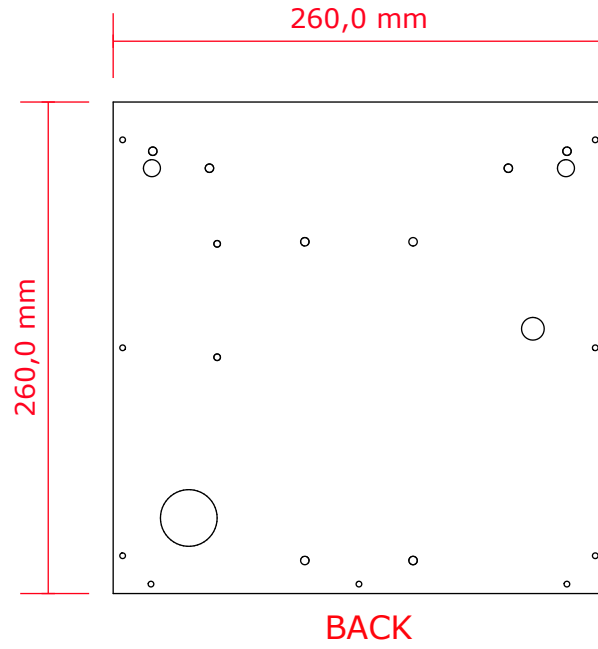
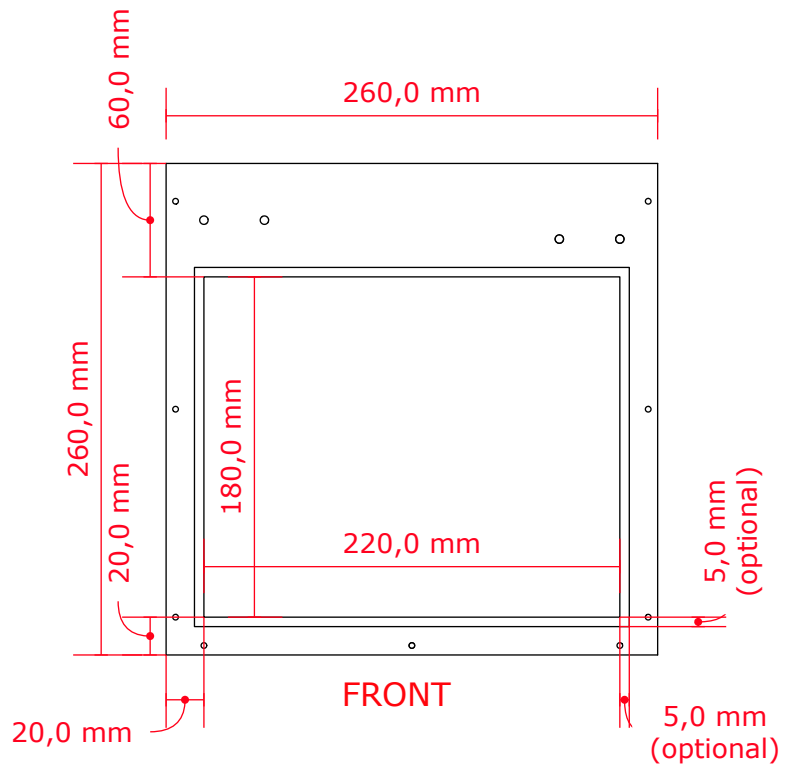


GreenCoreXY

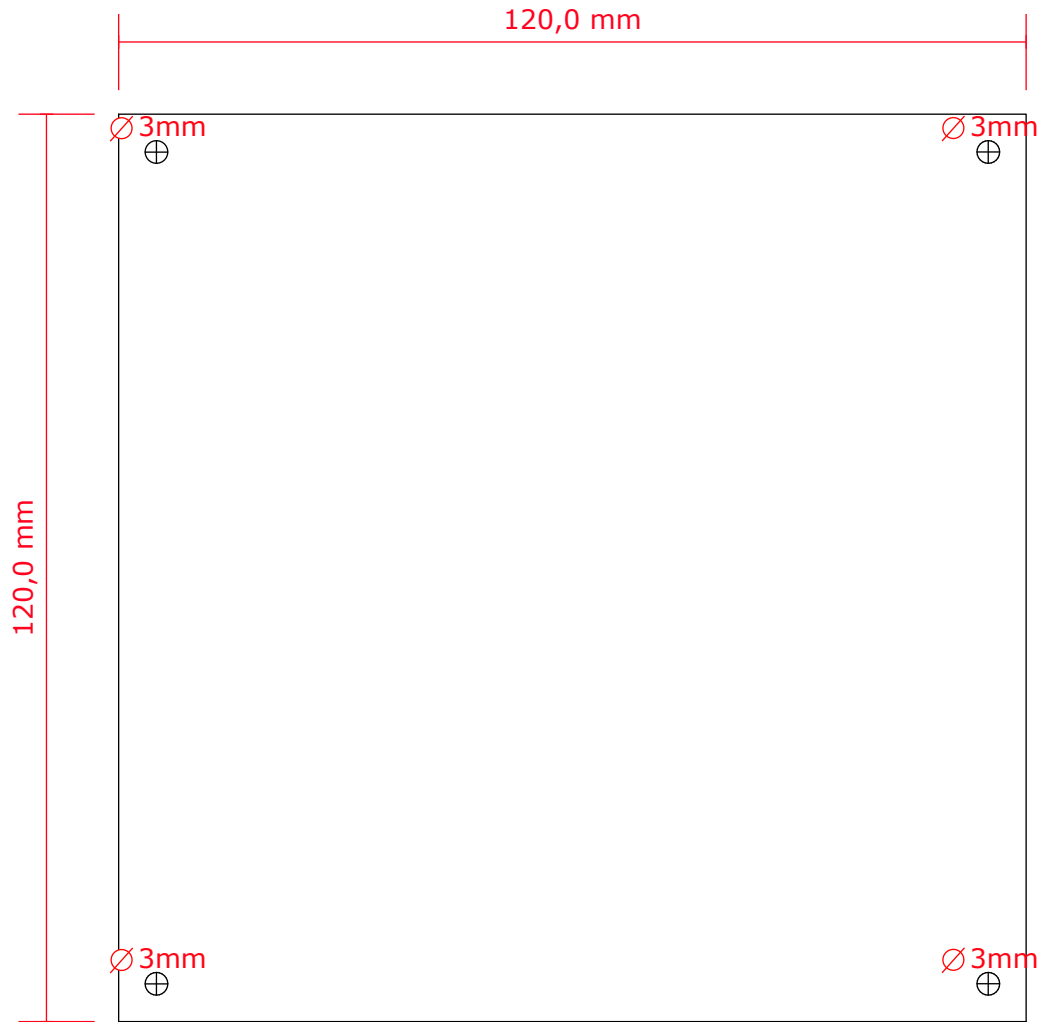
WOOD PARTS



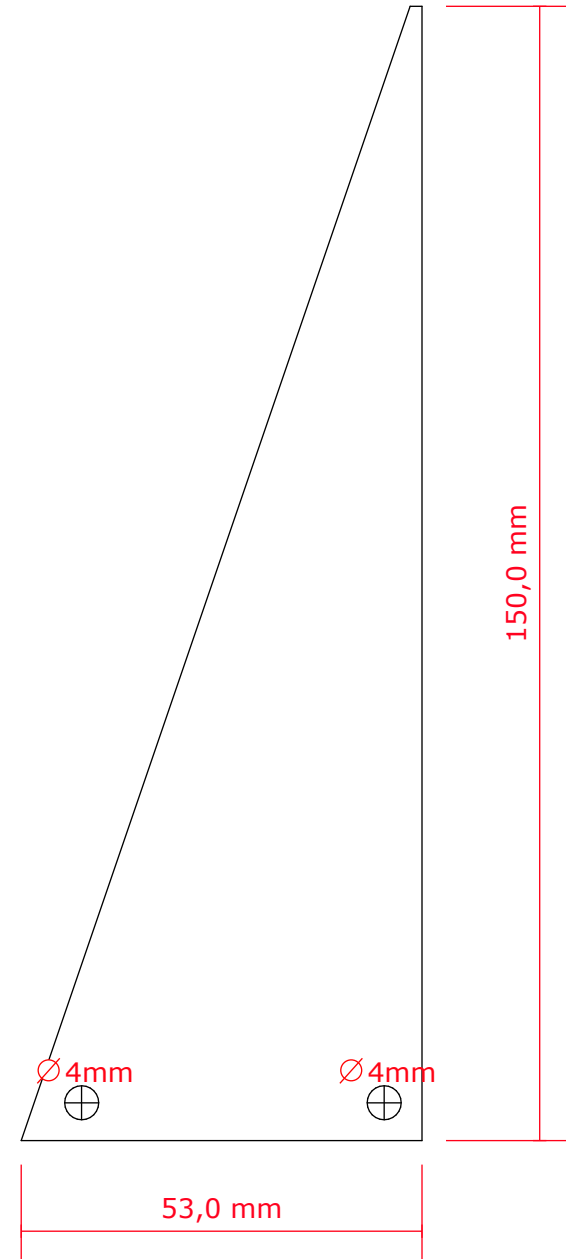
THICKNESS : 10mm



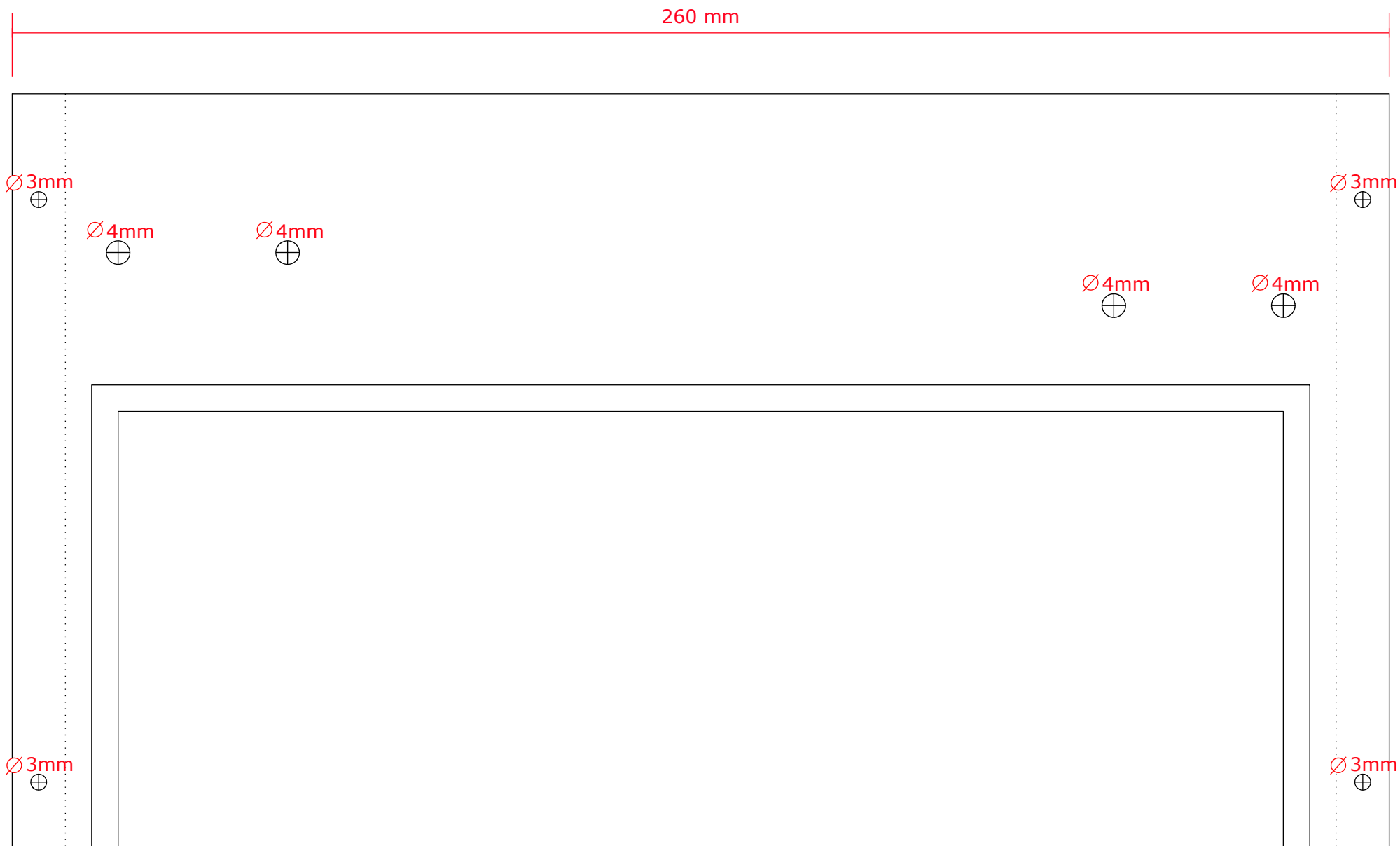
**THICKNESS : 5mm**



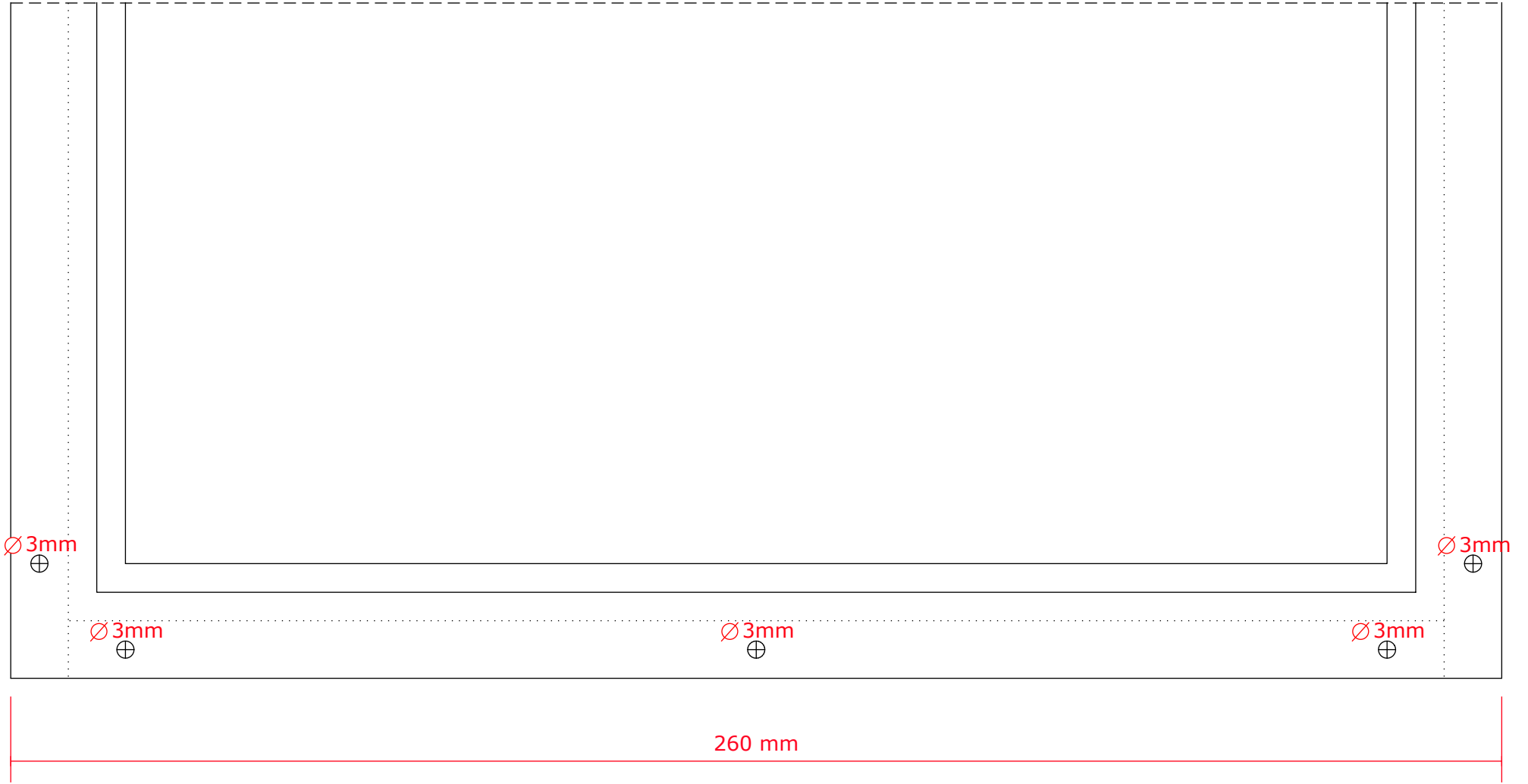
**PRINT BED & BED SUPPORT 100%**



**BED SUPPORT  
LEFT & RIGHT 100%**



FRONT (UP) 100%



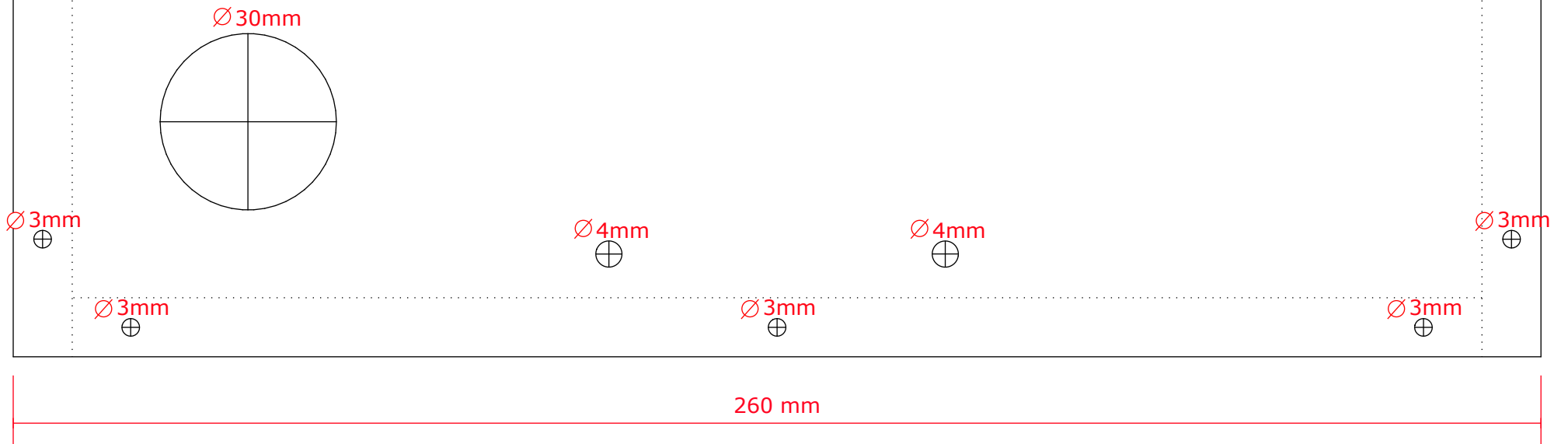
FRONT (DOWN) 100%

260 mm

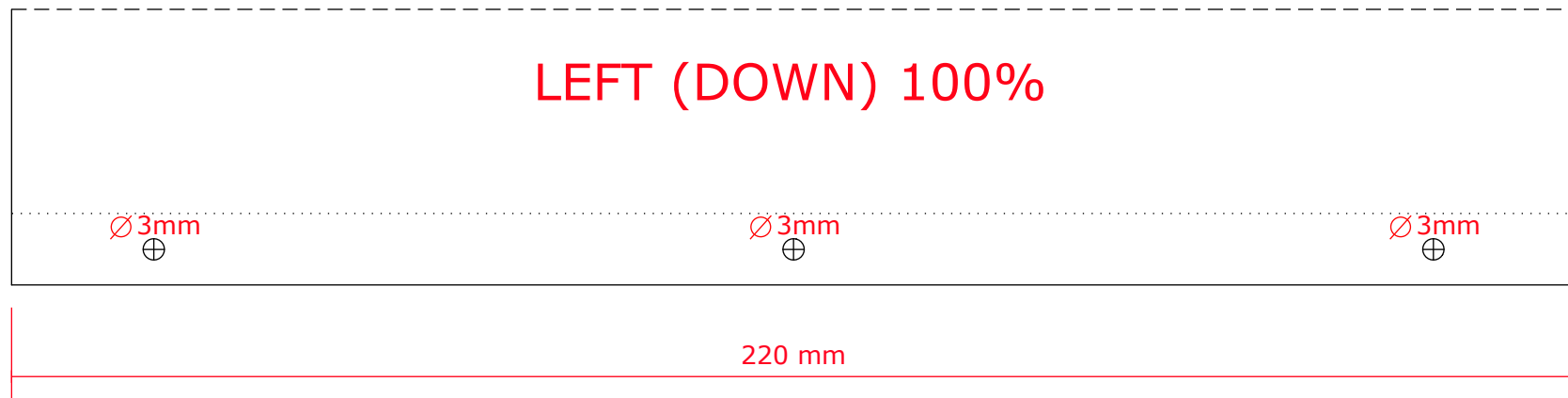


BACK (UP) 100%

# BACK (DOWN) 100%



# LEFT (DOWN) 100%





$\varnothing 3\text{mm}$   
⊕

$\varnothing 3\text{mm}$   
⊕

$\varnothing 3\text{mm}$   
⊕

$\varnothing 4\text{mm}$   
⊕  
(Optional)

$\varnothing 4\text{mm}$   
⊕  
(Optional)

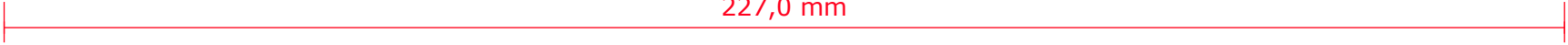
$\varnothing 4\text{mm}$   
⊕  
(Optional)

RIGHT (DOWN) 100%

220 mm



227,0 mm



Ø 3mm  
⊕

Ø 3mm  
⊕

Ø 3mm  
⊕

Ø 3mm  
⊕

Ø 3mm  
⊕

DOOR (optional) 100%