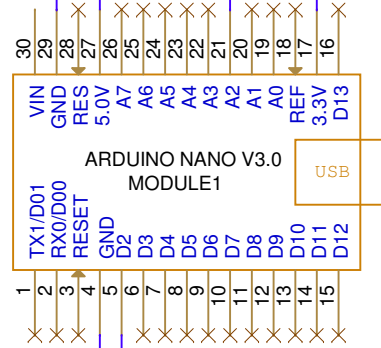
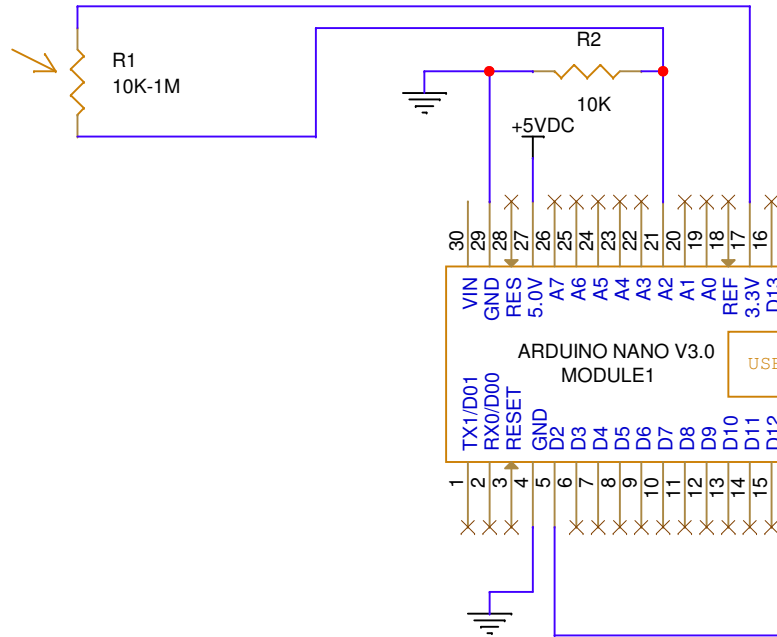
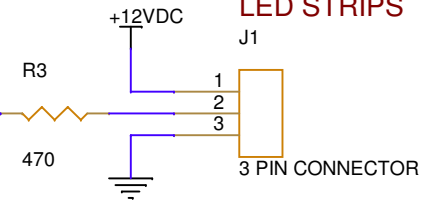


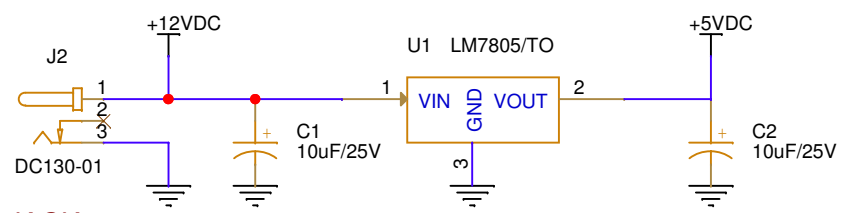
AMBIENT LIGHT SENSOR
SIMILAR TO A GL5528



SIGNALS TO THE
LED STRIPS



12VDC TO 5VDC VOLTAGE REGULATOR



BARREL JACK

NOTES:

- 1) MAKE SURE THAT THE 12VDC WIRE AND THE GROUND WIRE FROM THE BARREL JACK TO THE LED STRIP IS AT LEAST 24AWG.
- 2) SIZE THE TWO CAPACITORS AT THE VOLTAGE REGULATOR ARE THE VALUES REQUIRED BY THE REGULATOR YOU CHOOSE.

Title		
Colorful NeoPixel LED Hexagon -- Kevin Fischer		
Size	Document Number	Rev
A	HEXAGON37	0
Date:	Thursday, June 27, 2024	Sheet 1 of 1