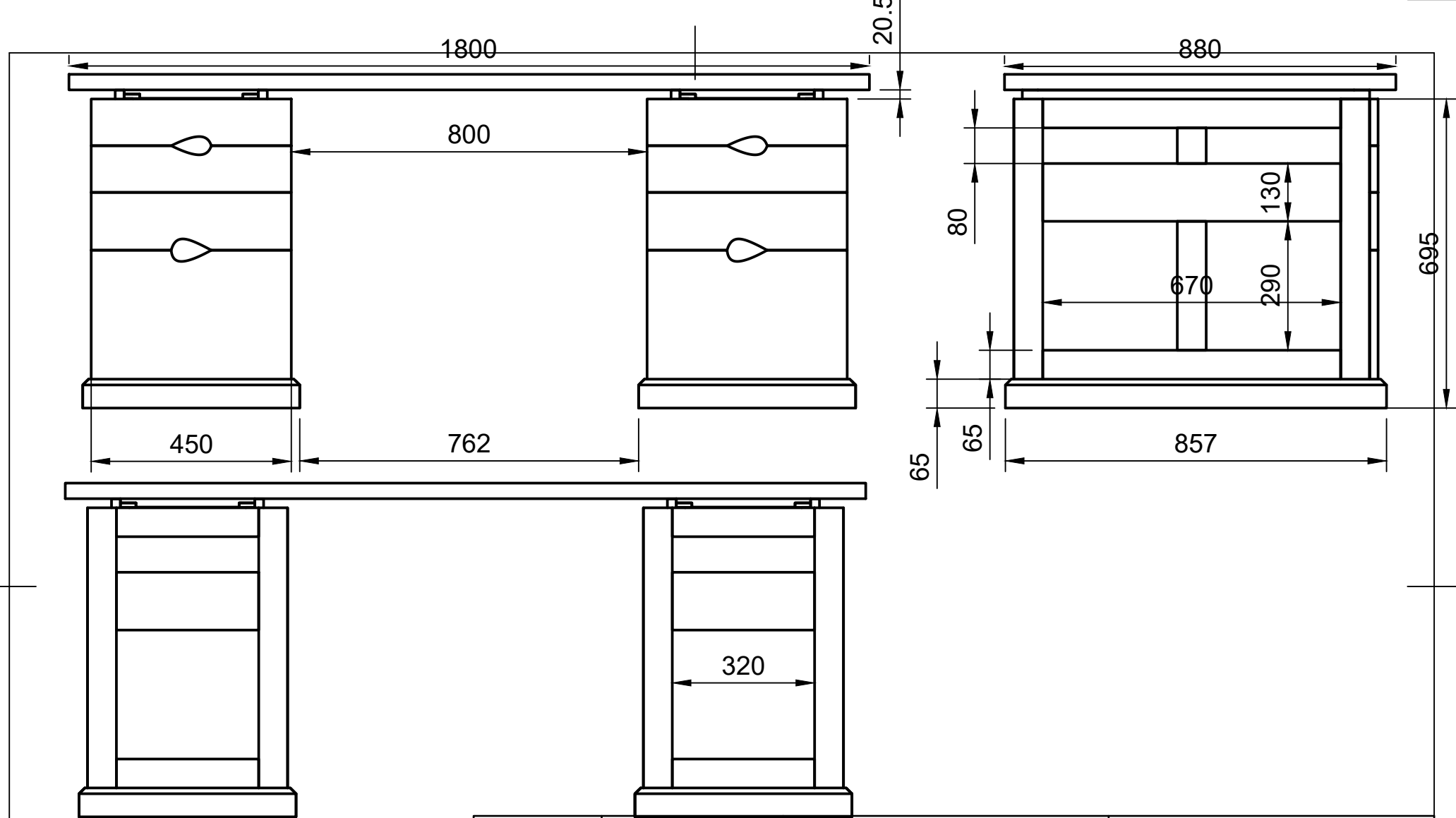
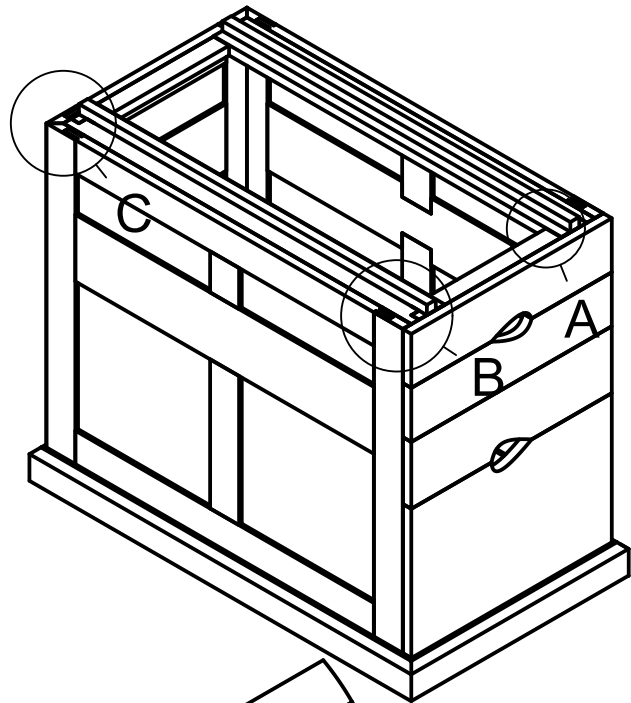


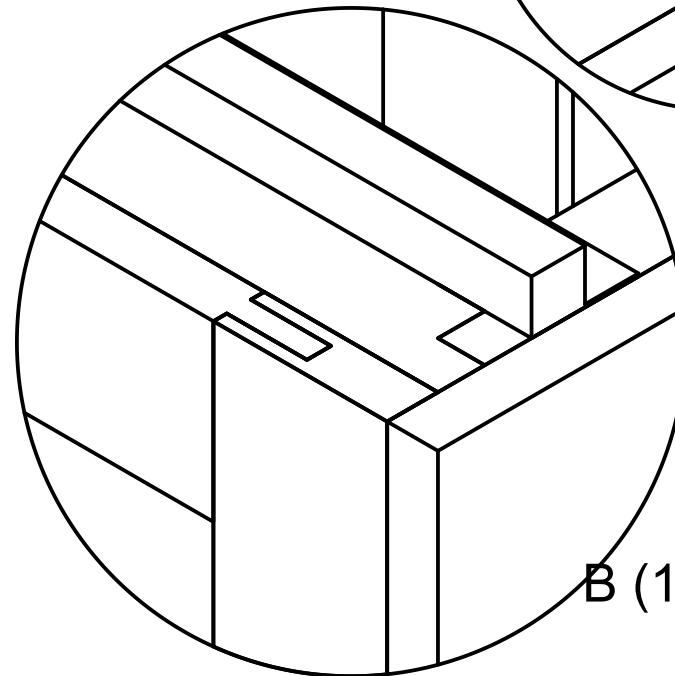
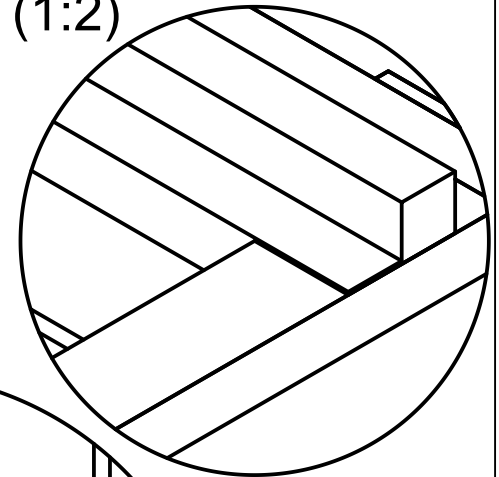
Dept.	Technical reference	Created by Christopher Richard 15/08/2018	Approved by	
		Document type	Document status	
		Title Desk 1	DWG No.	
		Rev.	Date of issue	Sheet 1/3



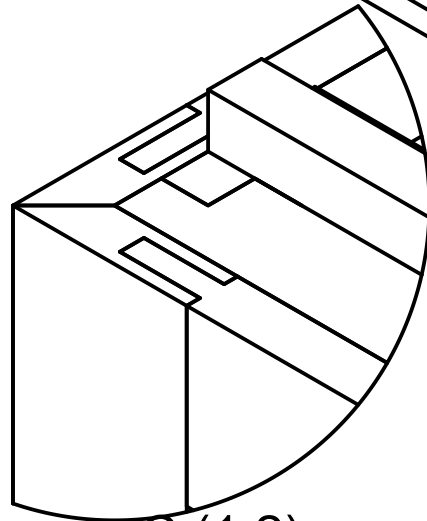
Dept.	Technical reference	Created by Christopher Richard 15/08/2018	Approved by	
		Document type	Document status	
		Title Desk 1	DWG No.	
		Rev.	Date of issue	Sheet 2/3



A (1:2)



B (1:2)



C (1:2)

Dept.	Technical reference	Created by Christopher Richard 15/08/2018	Approved by	
		Document type	Document status	
		Title Desk 1	DWG No.	
		Rev.	Date of issue	Sheet 3/3