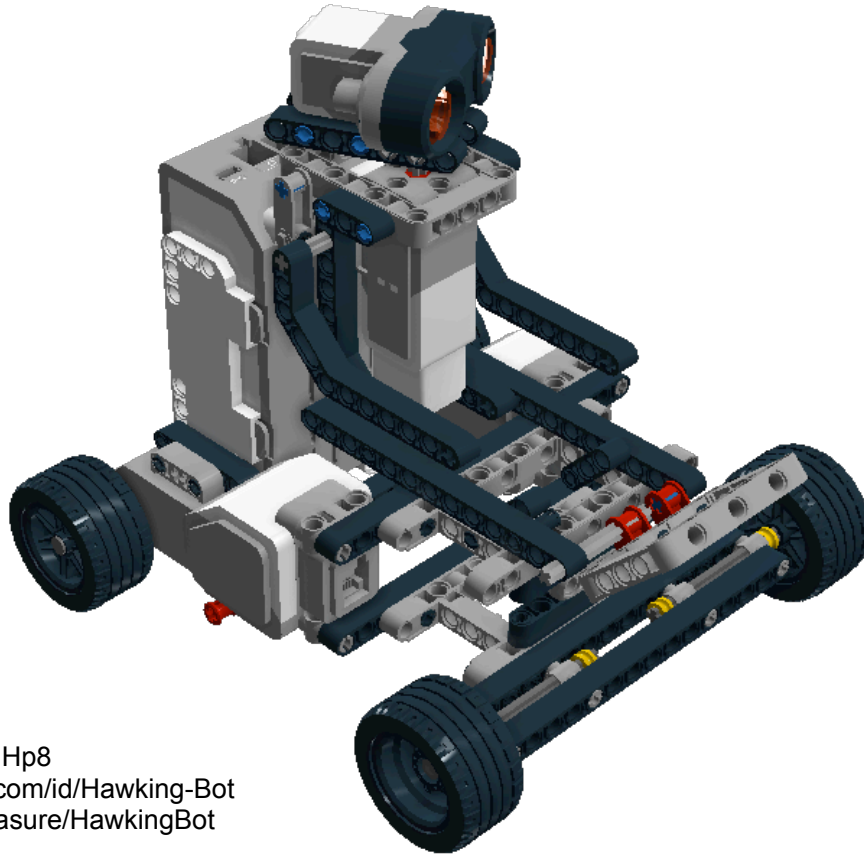


Model Name:
Hawking Bot

Number of Bricks: 105



<https://youtu.be/nnCas87dHp8>
<https://www.instructables.com/id/Hawking-Bot>
<https://github.com/EyeTreasure/HawkingBot>

Step 1 of 38



Step 2 of 38

1 x



1 x



Step 3 of 38

1 x



1 x



1 x



1 x



Step 4 of 38

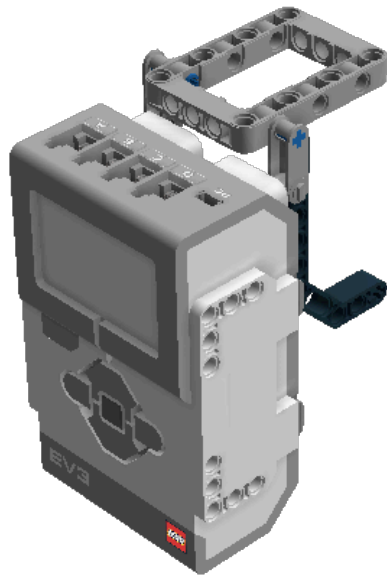
1 x



1 x



1 x



Step 5 of 38

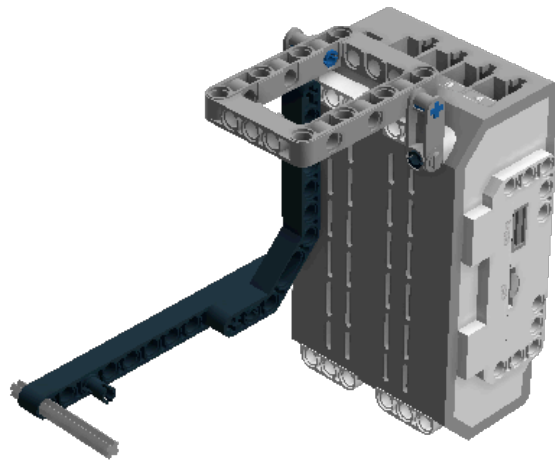
1 x



2 x



1 x

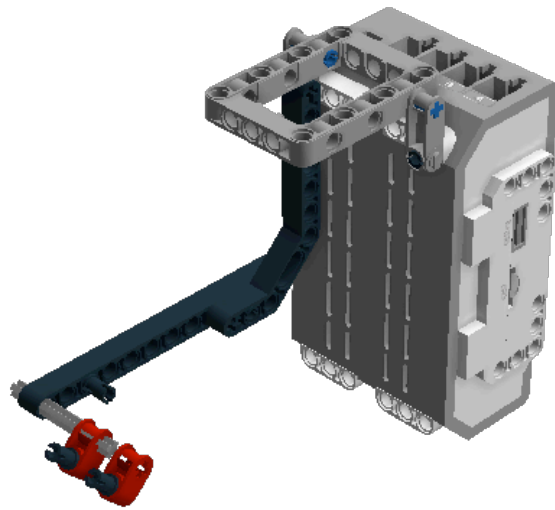


Step 6 of 38

2 x



2 x



Step 7 of 38

1 x



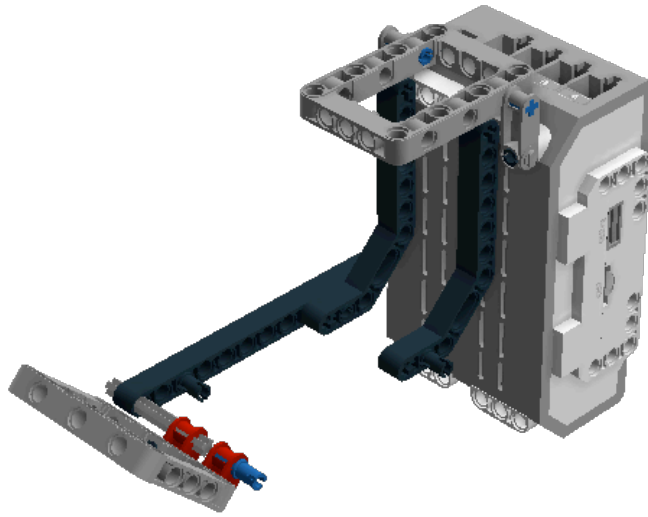
1 x



1 x



1 x



Step 8 of 38

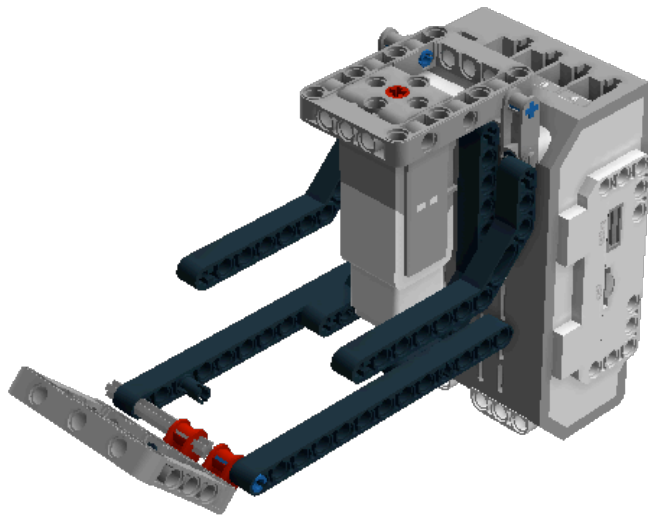
1 x



1 x

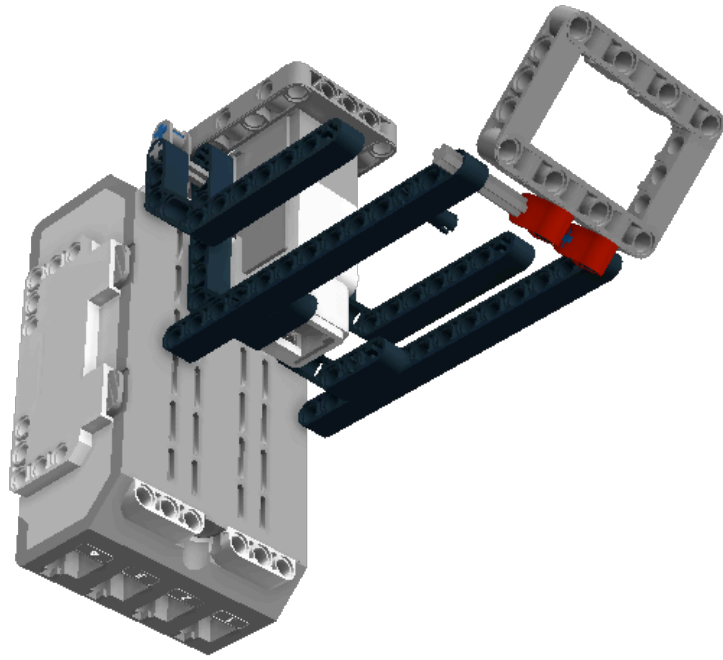


2 x



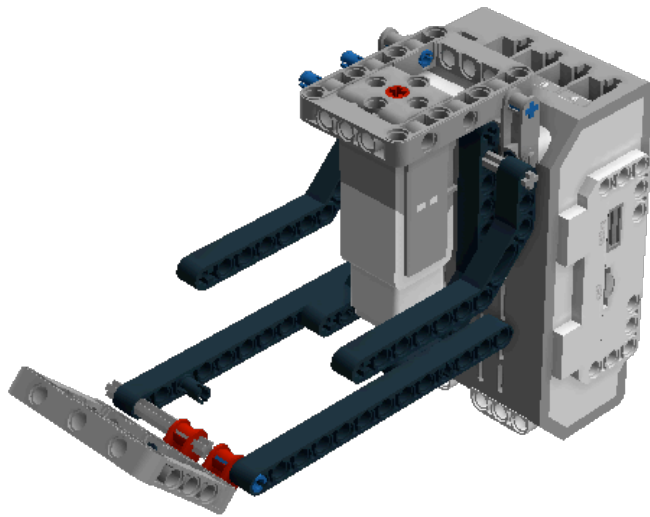
Step 9 of 38

1 x



Step 10 of 38

2 x

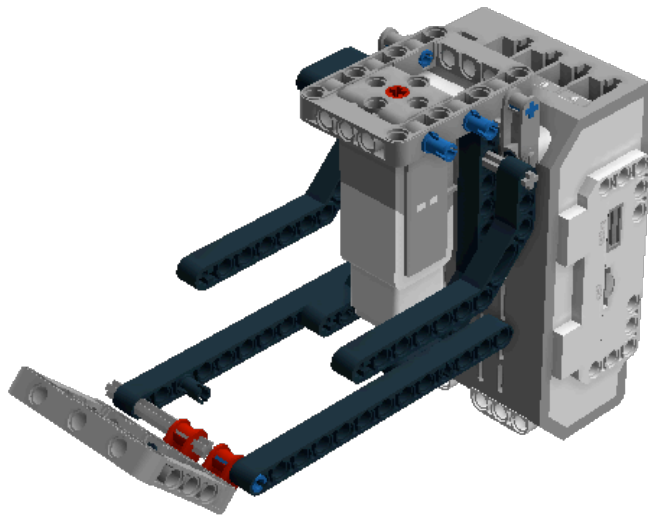


Step 11 of 38

1 x



2 x



Step 12 of 38

1 x



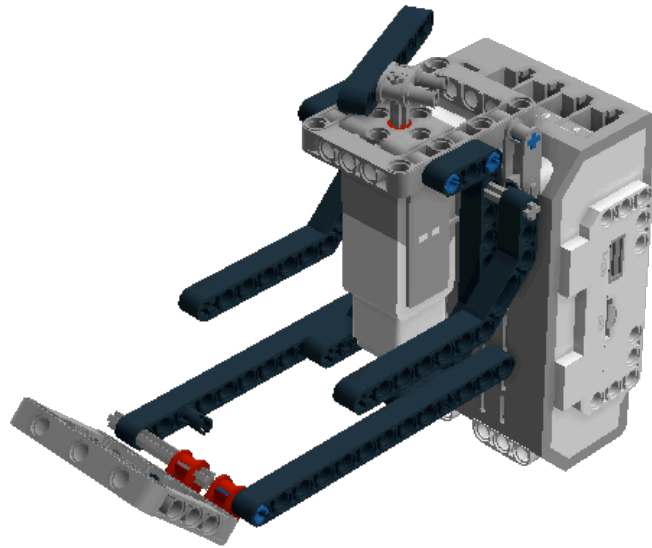
1 x



1 x



1 x



Step 13 of 38

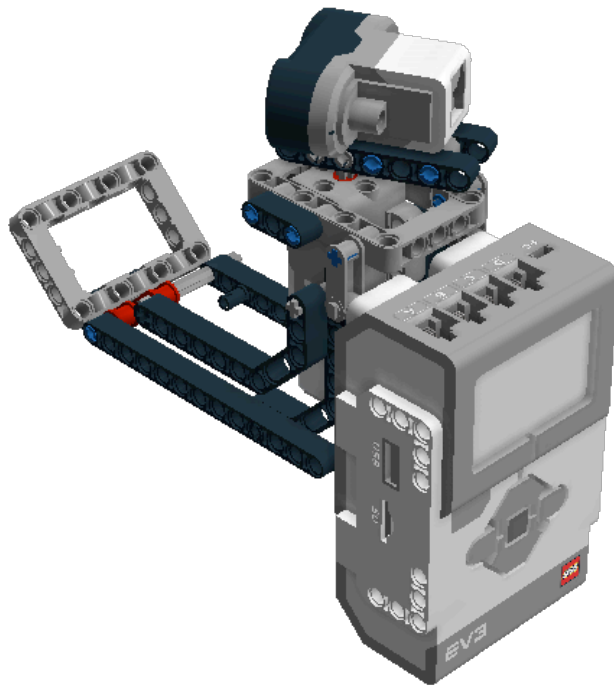
1 x

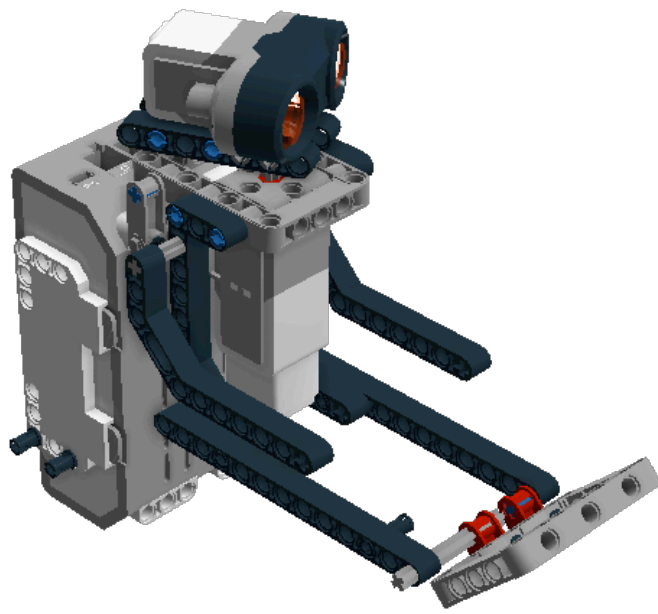


1 x



2 x





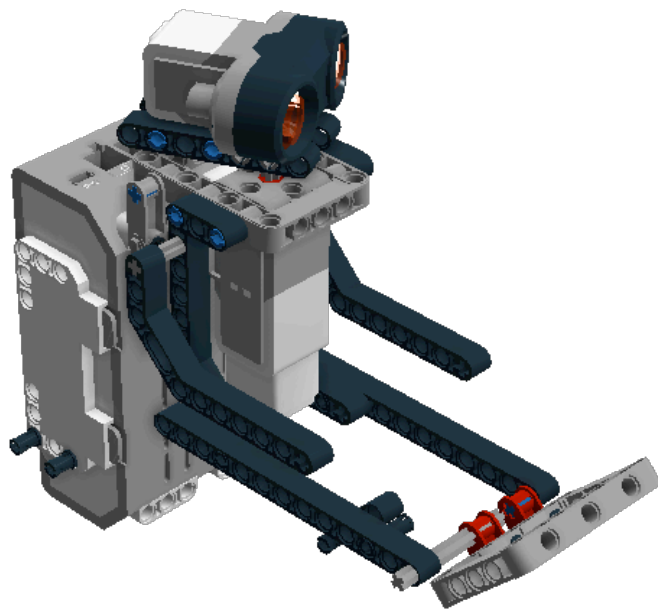
Step 15 of 38

1 x



1 x





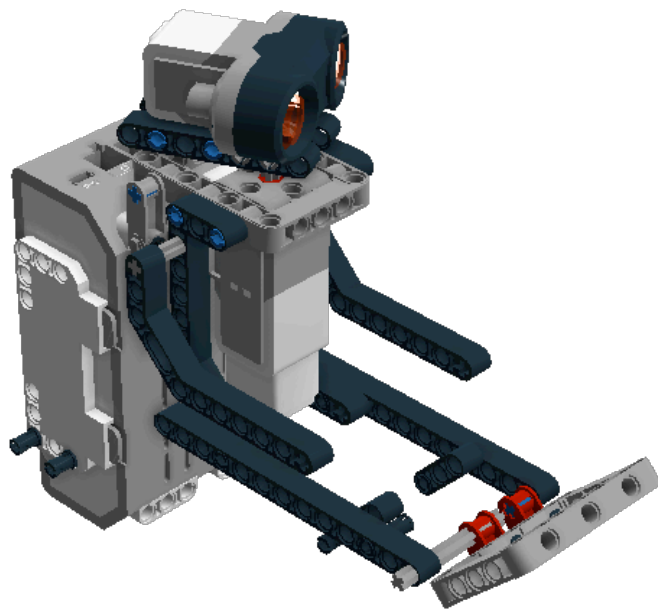
Step 17 of 38

1 x



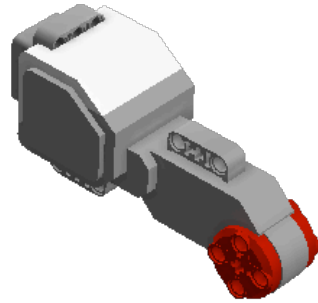
1 x





Step 19 of 38

1 x



Step 20 of 38

1 x



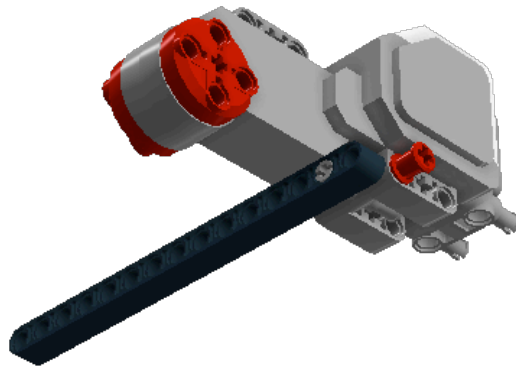
1 x



1 x



1 x



Step 21 of 38

1 x



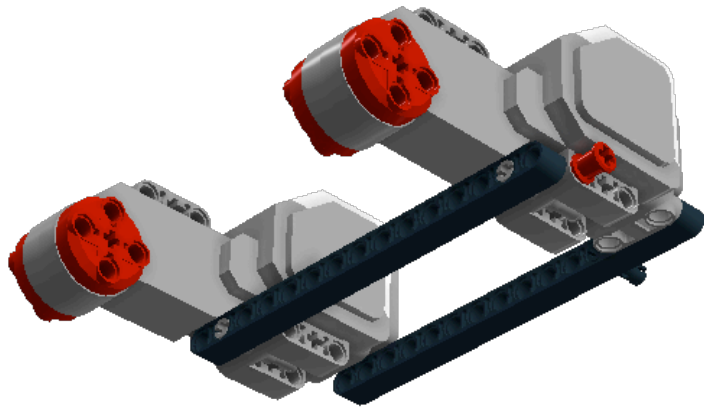
1 x



1 x



1 x



1 x



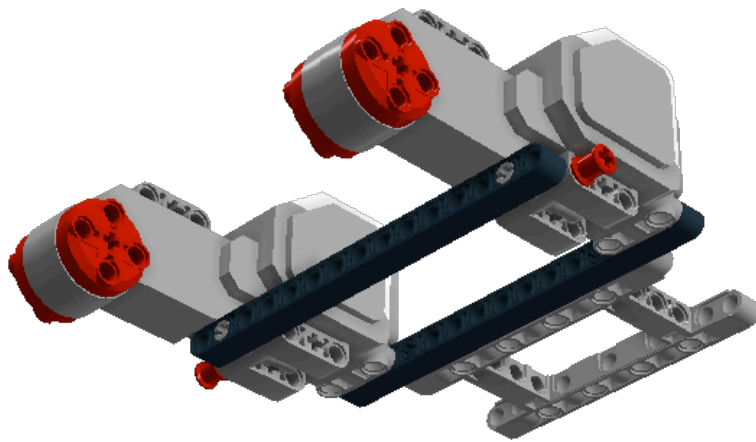
1 x



1 x



1 x

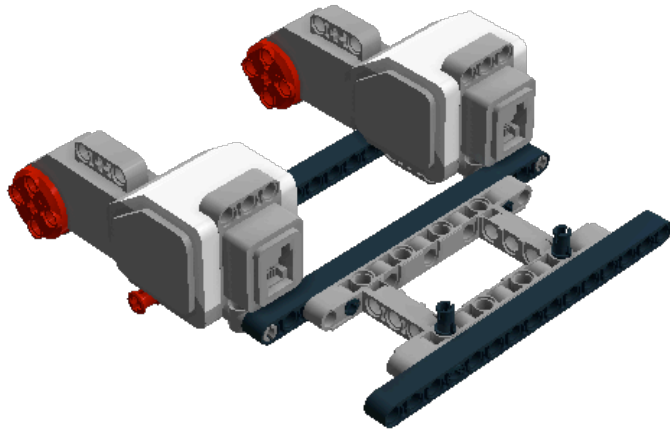


Step 23 of 38

1 x



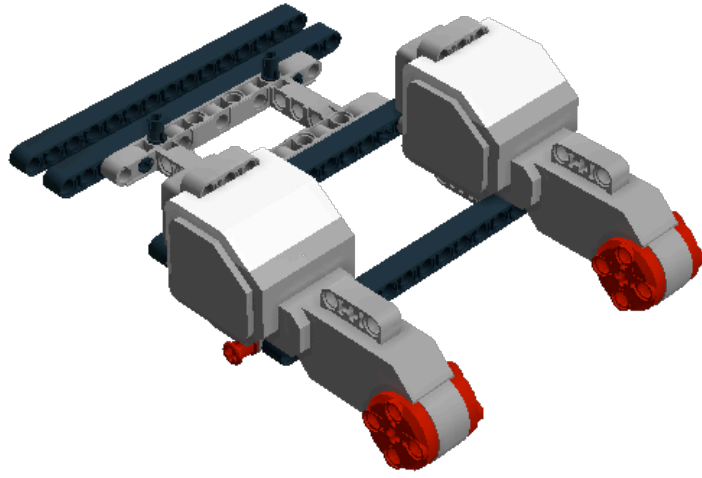
3 x



1 x



1 x



Step 25 of 38

1 x



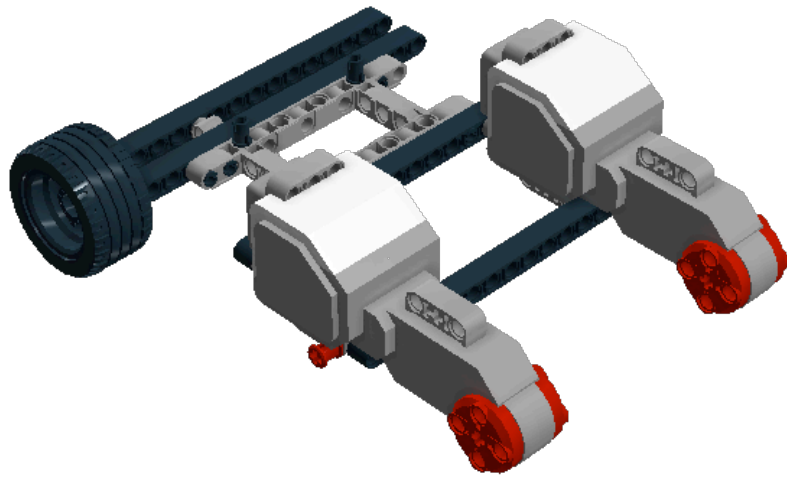
1 x



1 x



1 x



Step 26 of 38

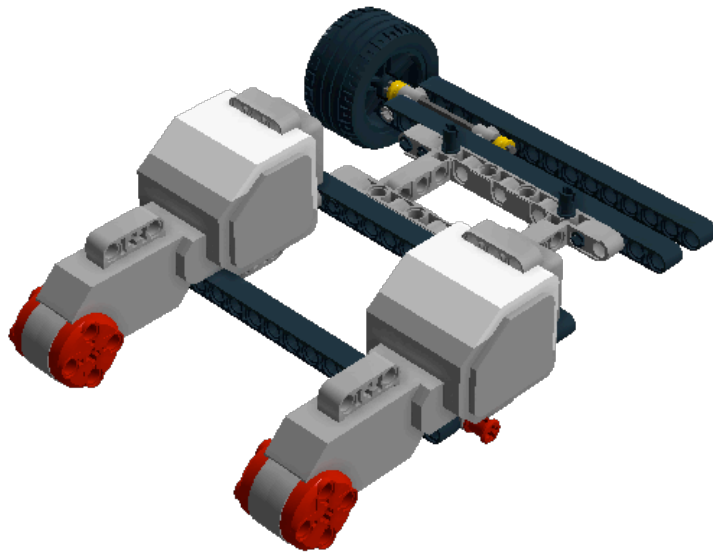
2 x



1 x



1 x



Step 27 of 38

1 x



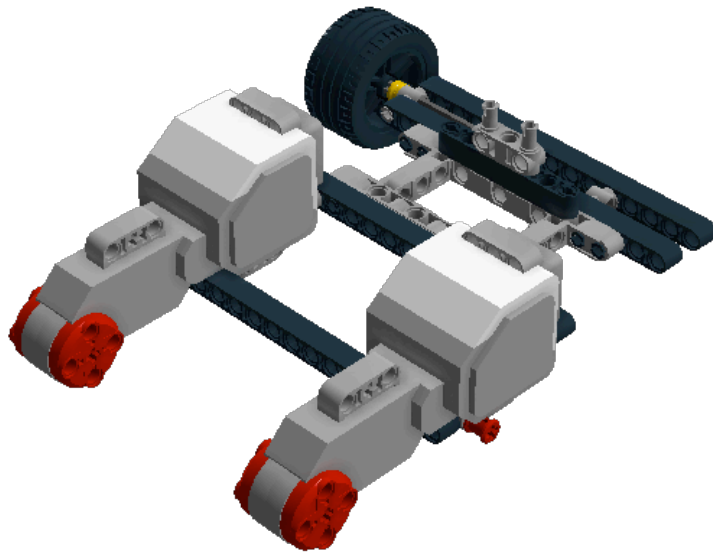
1 x



1 x



1 x



Step 28 of 38

1 x



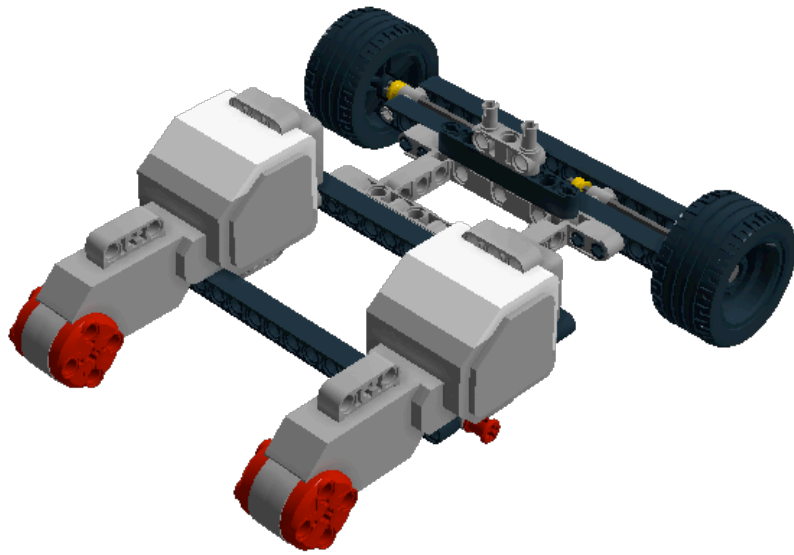
1 x



1 x



1 x



Step 29 of 38

1 x



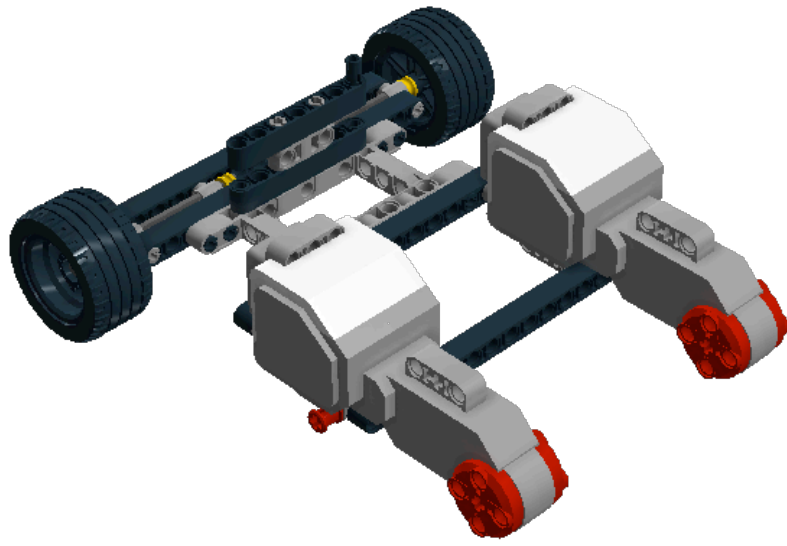
1 x



1 x



1 x



Step 30 of 38

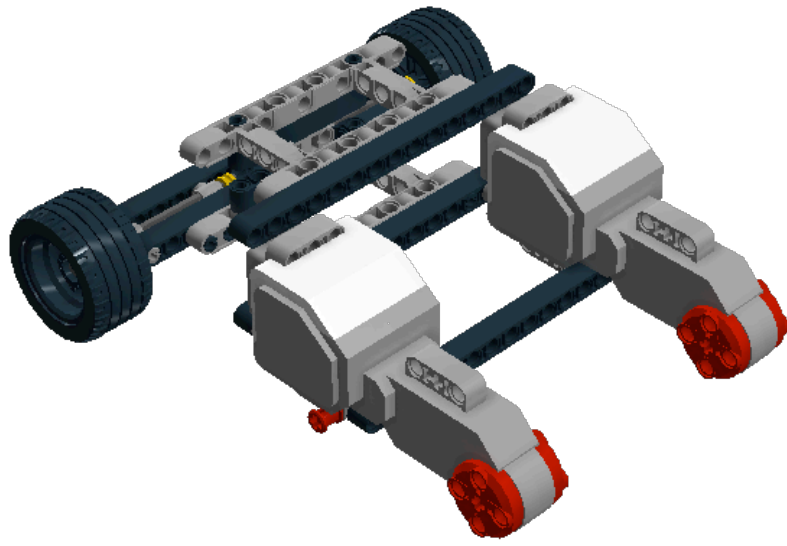
1 x



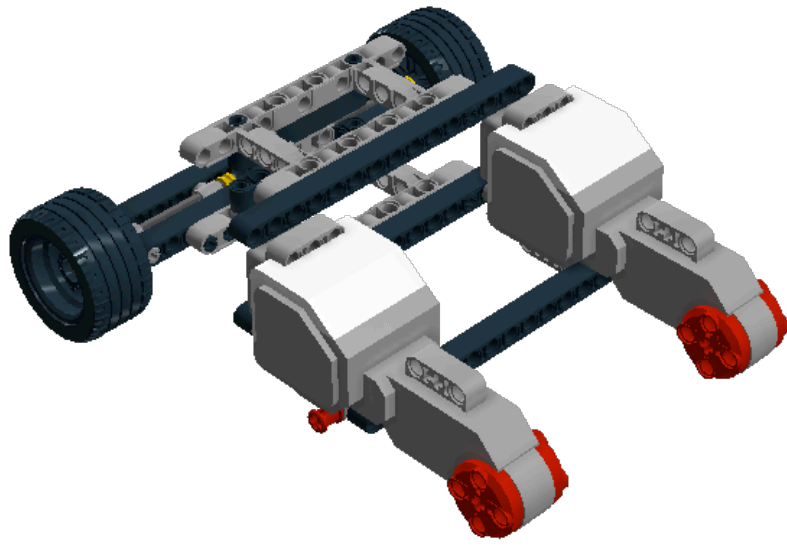
1 x



1 x



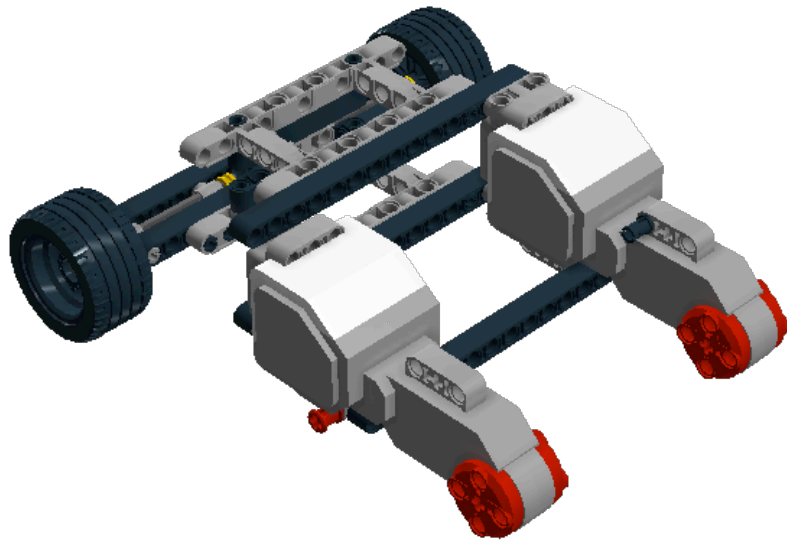
1 x



1 x



1 x



Step 33 of 38

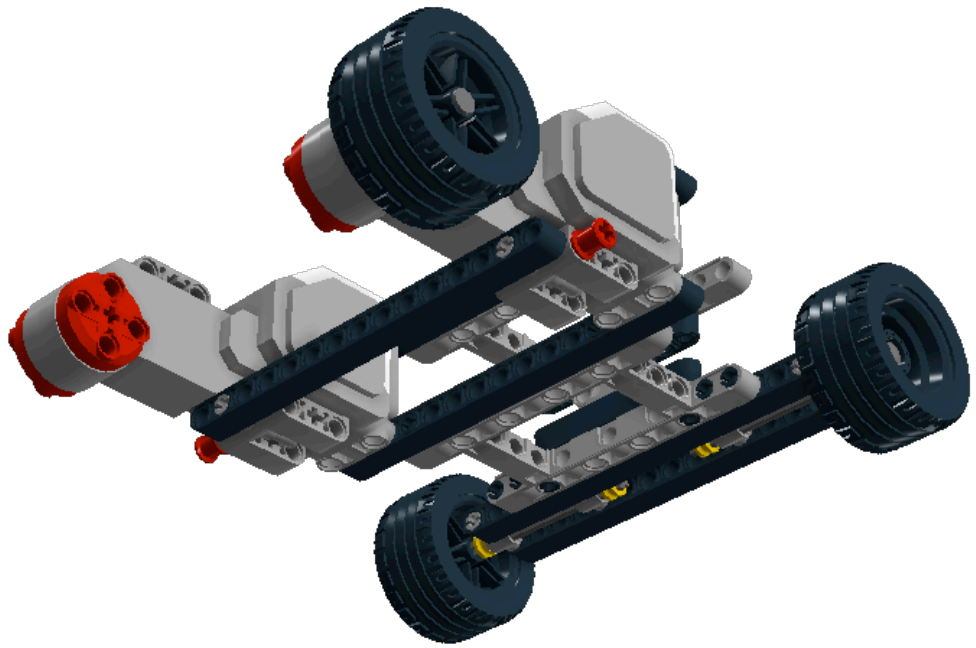
1 x



1 x



1 x



1 x



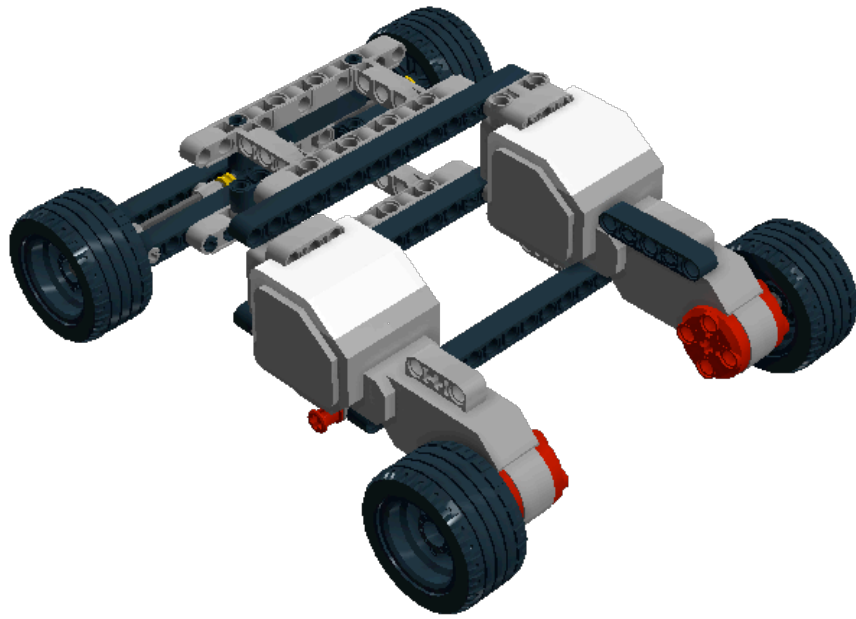
1 x



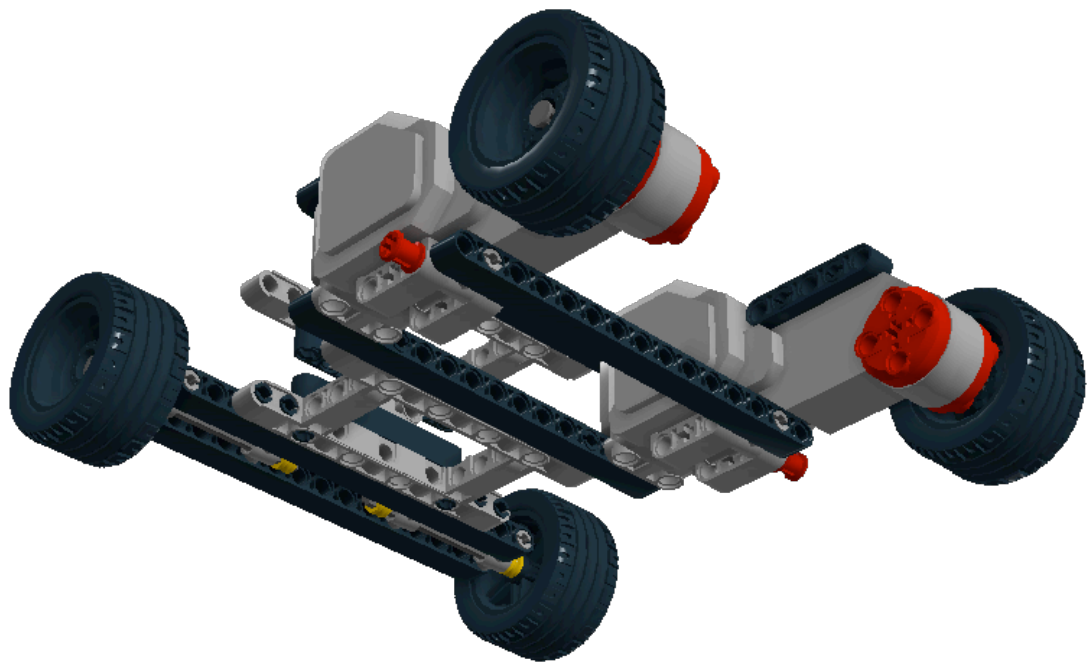
1 x



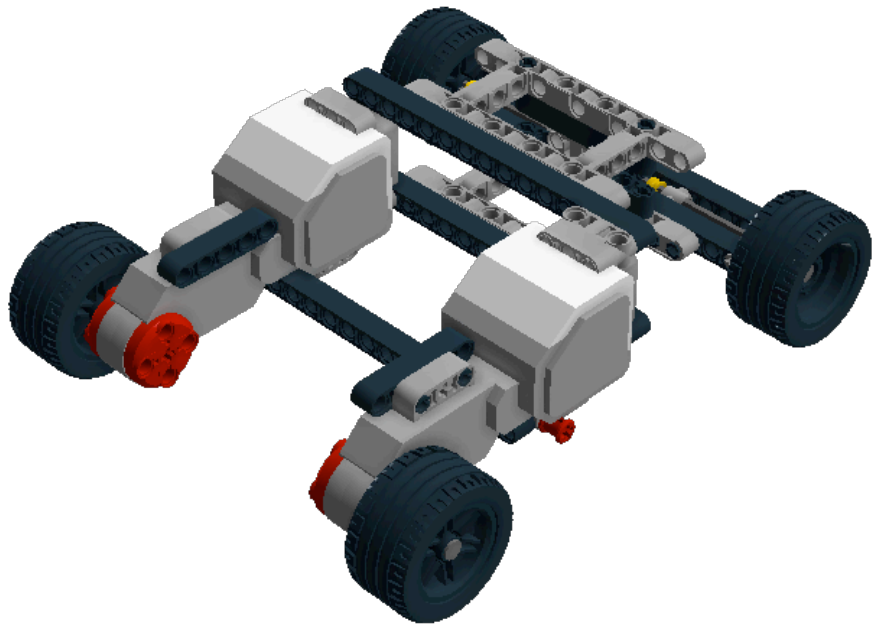
1 x



1 x



1 x

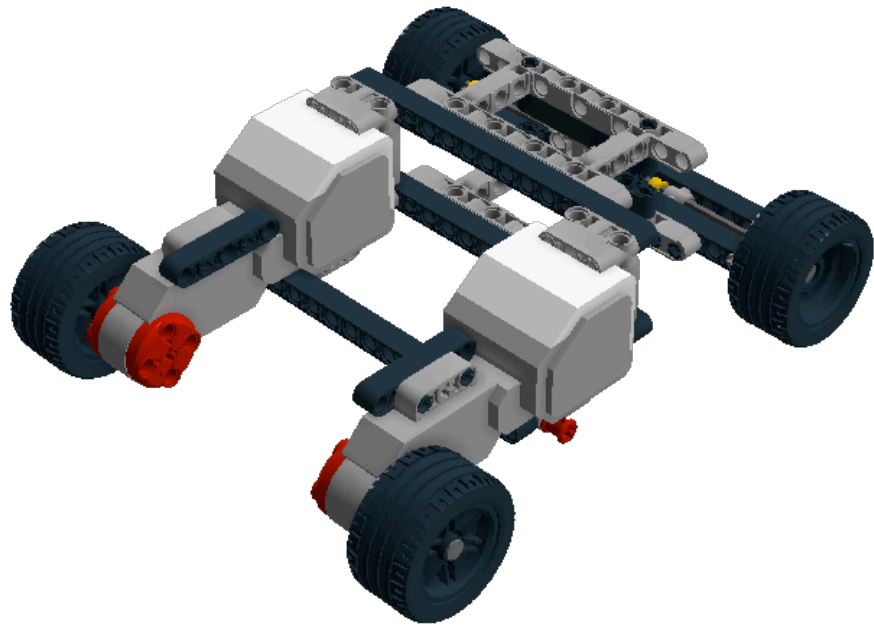


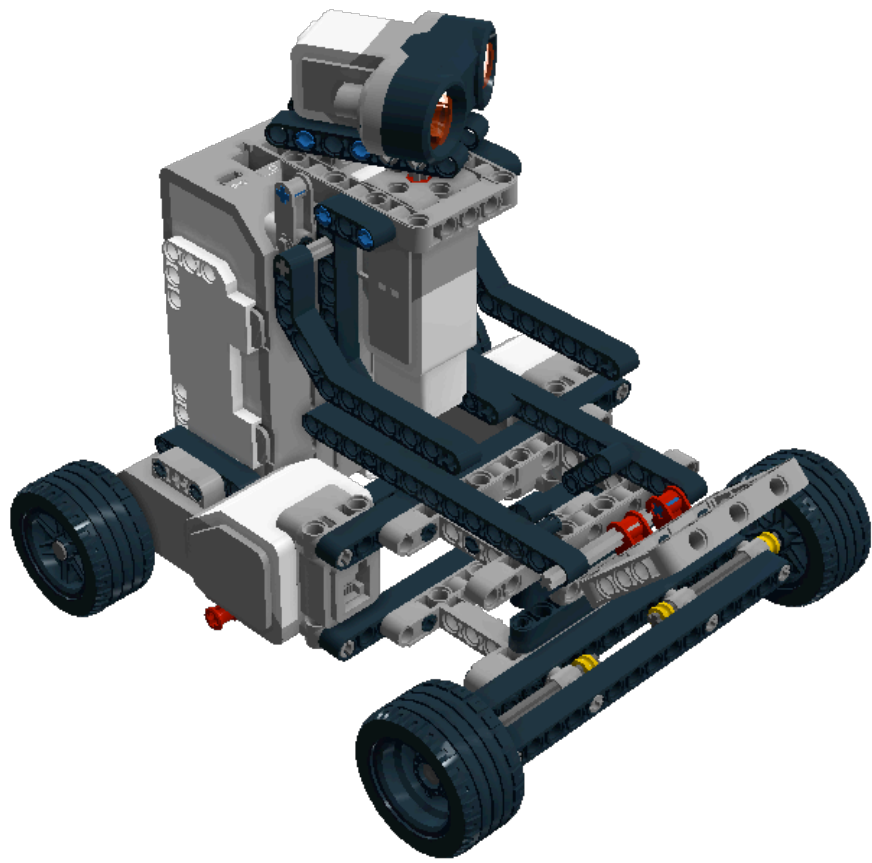
Step 37 of 38

3 x




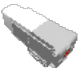
1 x








4 x  4299389 RIM WIDE W.CROSS 30x20 - Black

4 x  4184286 TYRE NORMAL WIDE Ø43,2 X 22 - Black

1 x  6008577 SMALL MOTOR - White, Bright Red, Medium Stone Grey, Silver Metallic

1 x  6063629 MS-EV3, ULTRASONIC SENSOR - White, Black, Tr. Red, Medium Stone Grey, Silver Metallic


2 x  6057952 MS 2013 ENGINE - White, Bright Red, Medium Stone Grey


1 x  6009996 MS-EV3, P-BRICK - White, Transparent, Medium Stone Grey, Dark Stone Grey, Silver Metallic


4 x  4142822 TECHNIC 3M BEAM - Black


2 x  4142135 TECHNIC 5M BEAM - Black


4 x  4495935 TECHNIC 7M BEAM - Black


2 x  4522933 TECHNIC 13M BEAM - Black


5 x  4542573 TECHNIC 15M BEAM - Black

4 x  4111998 DOUBLE ANGULAR BEAM 3X7 45° - Black


4 x  4239601 1/2 BUSH - Bright Yellow


29 x  4121715 CONNECTOR PEG W. FRICTION - Black

1 x  4211815 CROSS AXLE 3M - Medium Stone Grey

3 x  4206482 CONN.BUSH W.FRIC./CROSSALE - Bright Blue


6 x  4514553 CONNECTOR PEG W. FRICTION 3M - Bright Blue


1 x  4211639 CROSS AXLE 5M - Medium Stone Grey

2 x  4188298 CROSS BLOCK 90° - Bright Red


2 x  6083620 CROSS AXLE 4M WITH END STOP - Dark Stone Grey


2 x  4140806 2M FRIC. SNAP W/CROSS HOLE - Bright Red


6 x  4560175 DOUBLE BUSH 3M Ø4.9 - Medium Stone Grey

1 x  4535768 CROSS AXLE 9M - Medium Stone Grey


2 x  6013936 TECHNIC STEERING-GEAR 3M - Medium Stone Grey

2 x  4499858 CROSS AXLE 8M WITH END STOP - Dark Stone Grey

1 x  4211888 MODULE BUSH - Medium Stone Grey

5 x  4225033 BEAM 3 M. W/4 SNAPS - Medium Stone Grey

2 x  4539880 BEAM FRAME 5X7 Ø 4.85 - Medium Stone Grey

2 x  4540797 BEAM H. FRAME 5X11 Ø4.85 - Medium Stone Grey

