



External AC Mains dual 18650 Charger



Momentary SPST Button



1 Ohm 5 Watt Power Resistor



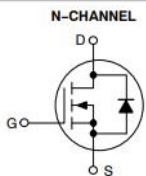
White LED

RCA Female Port

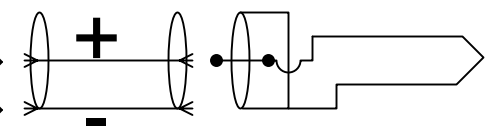
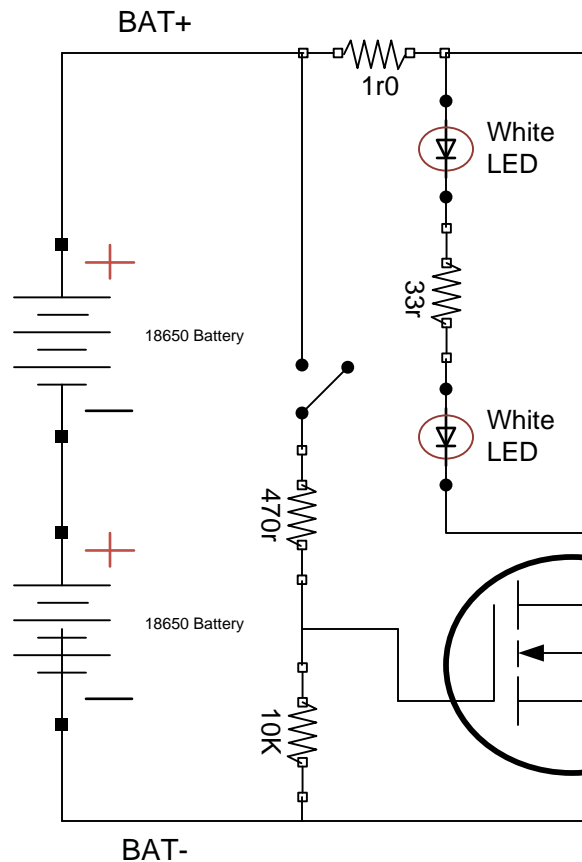
Weller BP1 Tip



45 AMPERES, 25 VOLTS  
 $R_{DS(on)} = 12.6 \text{ m}\Omega$  (Typ)



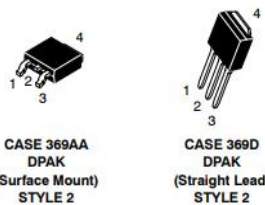
Dual Cell holder



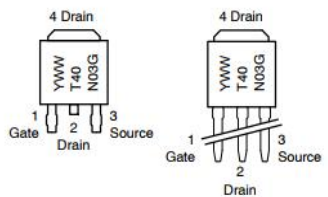
4 to 5 Vdc  
 ~6-8 Watts

Power MOSFET

T40N03  
 NT040N03R  
 25V 45A  
 N-channel  
 DPAK



MARKING DIAGRAM & PIN ASSIGNMENTS



Y = Year  
 WW = Work Week  
 T40N03 = Device Code  
 G = Pb-Free Package

4.2V max for each cell:  
 8.4V DC at 100%  
 > 2 Amp Hours



Two 18650 Batteries (Protected types, >2 Ah)



470 Ohm 1/4 Watt



10K Ohm 1/4 Watt



Any Power MOSFET N-channel

SCALE	DRAWN by	Revised by
Not to scale (yet)		-
TITLE		REVISED
Home Build II Battery Power Soldering Iron		10 JAN 2018