

FabCat House

HOW-TO



IF YOU'VE FABRICATED THIS OBJECT,
COULD YOU PLEASE FILL IN MY SURVEY?

● <https://goo.gl/forms/pIxbD7Gs2mIHflgnI>

SI VOUS AVEZ FABRIQUÉ CET OBJET,
POURRIEZ-VOUS S'IL VOUS PLAÎT REMPLIR MON SONDAGE ?

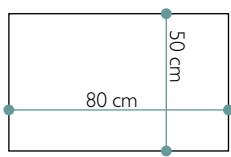
● <https://goo.gl/forms/CDCPbsdC4um07AtL2>

project : <http://FabCat.Gregor-Design.EU>

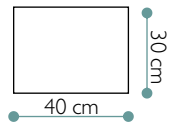
author : <http://Dalia.Gregor-Design.EU>

FabCat House - How to

WHAT DO YOU NEED?



6 planks of plywood (or other material)
- thickness **5mm**
- size **80x50cm** (31.5 x 19.7 inch)



1 plank of plywood (or other material)
- thickness **5mm**
- size **40x30cm** (15.75 x 11.8 inch)



Laser cutter

You need to cut the planks into the pieces using a laser cutter with working area min. **80x50cm** (31.5 x 19.7 inch). You can get an access to this machines in various places - fablabs, makerspaces, hackerspaces or commercial services like TechShop or others.

Map of fablabs: <https://www.fablabs.io/labs/map>

Map of fablabs and other labs: <http://www.makery.info/en/map-labs/>

Map of makerspaces: <http://themakermap.com/>

There's much more, not all of the places are listed in all maps, you can also try to research it by yourself.

OPTIONAL

For exterior use, or for a nicer finish and better stability of the object you can use this:



Varnish (marine or other)

Varnish is a great tool to make your object resistant to humidity or insects and give it a nice finish. Also, after assembling the object, it will glue it together and fill in small cracks.



Wood stain

Wood stain/finish can provide additional protection and a nice finish to your object. You can choose different types and colors.



Brush

Apply varnish and wood stain with a brush. Don't forget to wash it really good after each use.



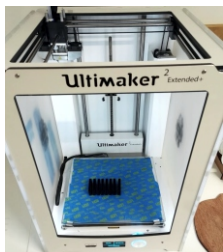
Transparent silicone glue

Multiple uses - you can use it to fix the leg protections so the water wont enter between the cracks. Or to fill some small holes that you'll find.



Cord & metal tent pegs

There are small 3mm holes at the bottom of the cut out ribs. If necessary, you can fix the house to the ground using a cord and metal tent pegs.



3D printer + 3D printed leg protection

If you want to use this object in exterior you need to protect its wooden legs against the humidity. One of the options is to print leg protection on a 3D printer.

This option can be useful also if you want to protect your floor. It is possible that the print will still be sharp so you will have to sand it on the edges.



Cork sheet/roll or insulation board

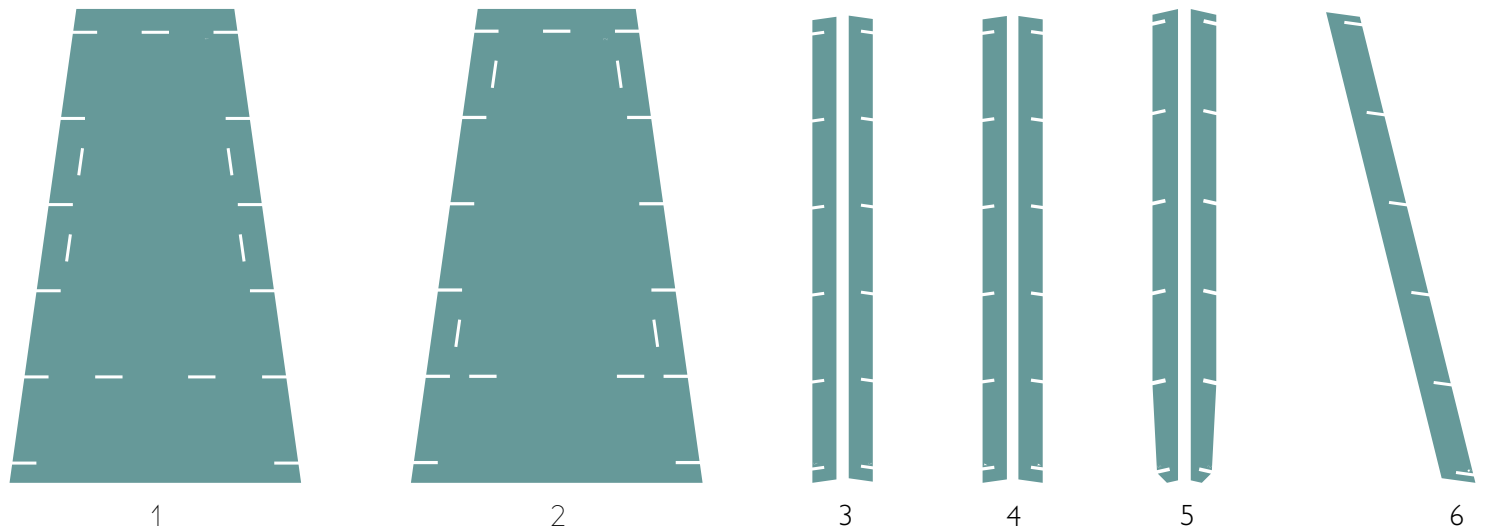
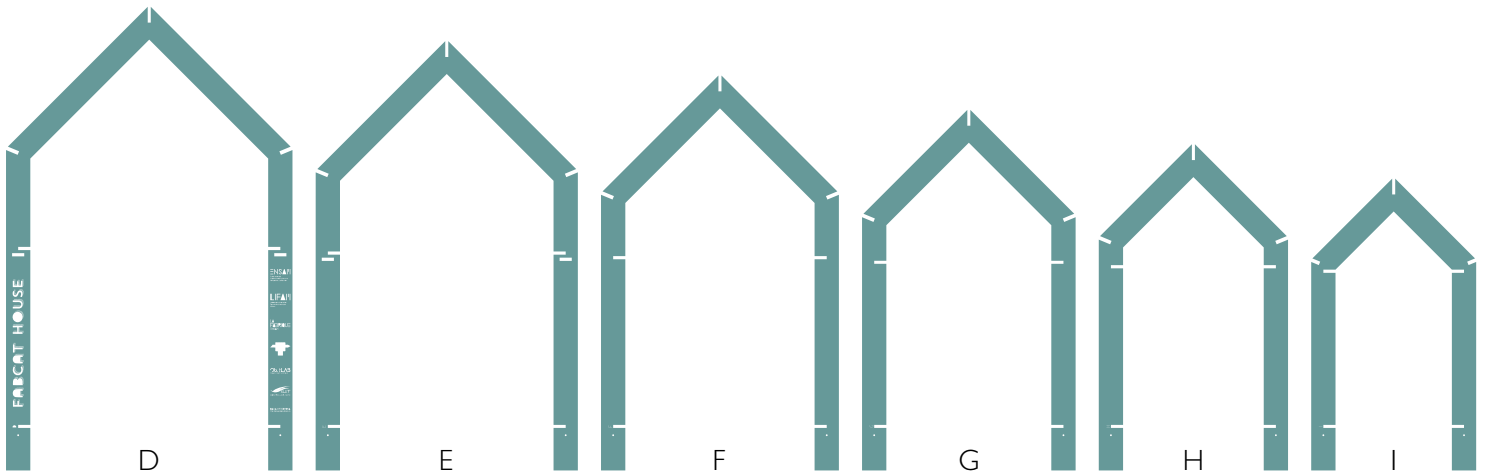
Depending on where you live, there's a possibility that you will want to protect cats from the cold weather. There are multiple options, for extreme cold you could install rigid insulation boards or cork sheets (2 or more mm)

Both are very easy to cut with scissors or cutter (cork even with laser cutter).

FabCat House - How to



Consider using wood stain and first varnish layer before the assembly



IF YOU'VE FABRICATED THIS OBJECT, COULD YOU PLEASE FILL IN MY SURVEY?

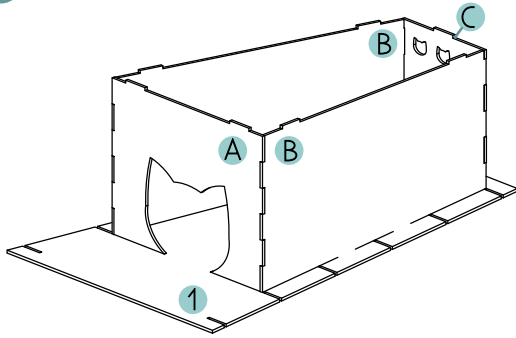
<https://goo.gl/forms/pIxbD7Gs2mIHfIgnI>

SI VOUS AVEZ FABRIQUÉ CET OBJET, POURRIEZ-VOUS S'IL VOUS PLAÎT
REEMPLIR MON QUESTIONNAIRE ?

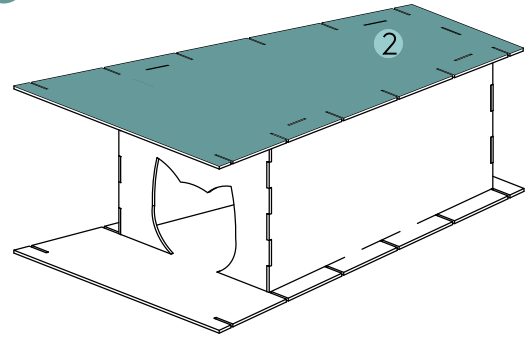
<https://goo.gl/forms/CDCPbsdC4um07AtL2>

FabCat House - Assembly

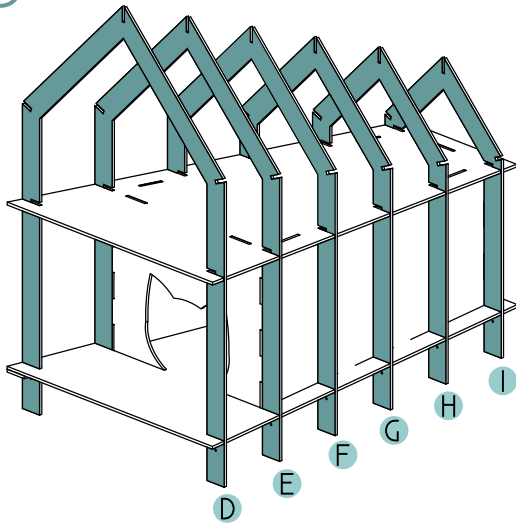
1.



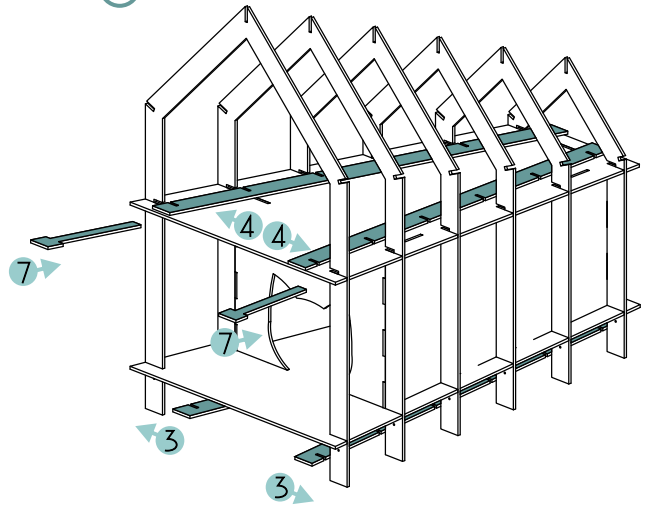
2.



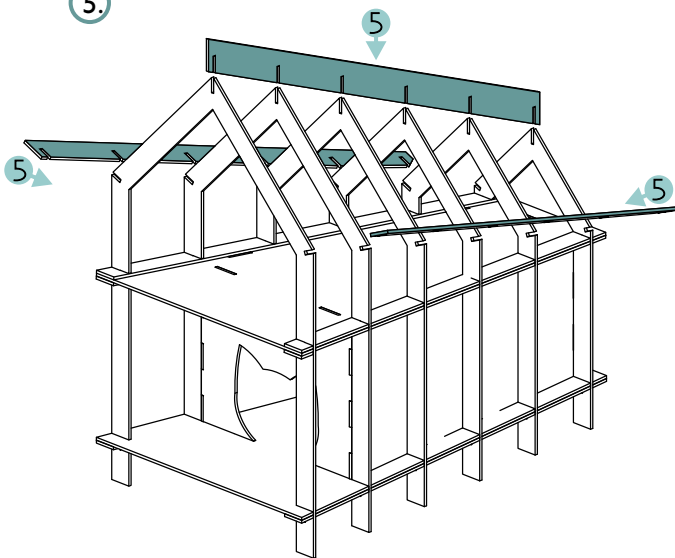
3.



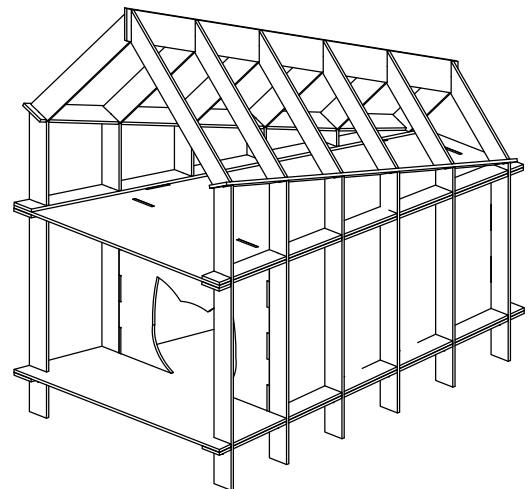
4.



5.



6.



IF YOU'VE FABRICATED THIS OBJECT, COULD YOU PLEASE FILL IN MY SURVEY?

<https://goo.gl/forms/pIxbD7Gs2mIHflgnI>

SI VOUS AVEZ FABRIQUÉ CET OBJET, POURRIEZ-VOUS S'IL VOUS PLAÎT
REEMPLIR MON QUESTIONNAIRE ?

<https://goo.gl/forms/CDCPbsdC4um07AtL2>