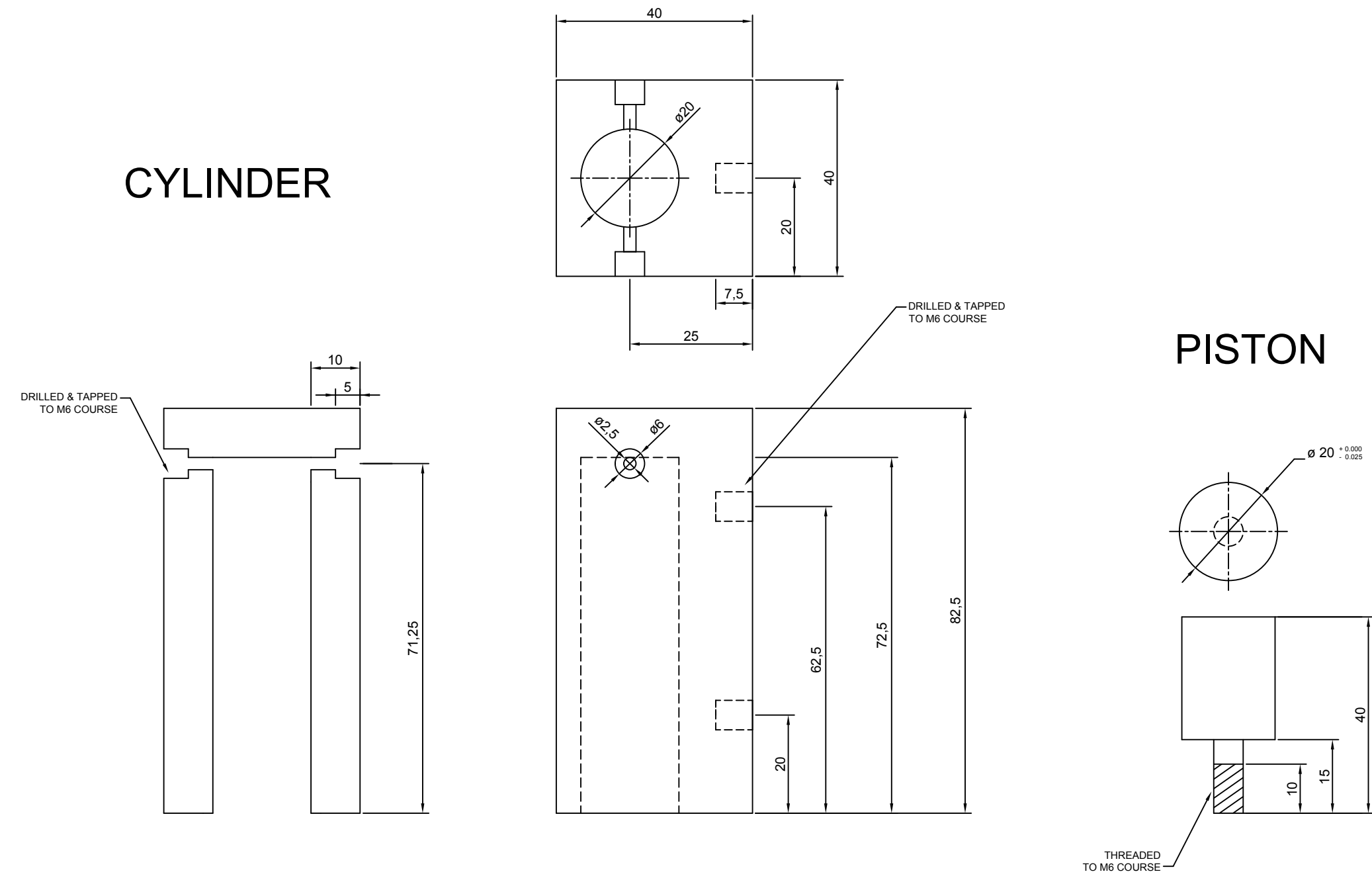
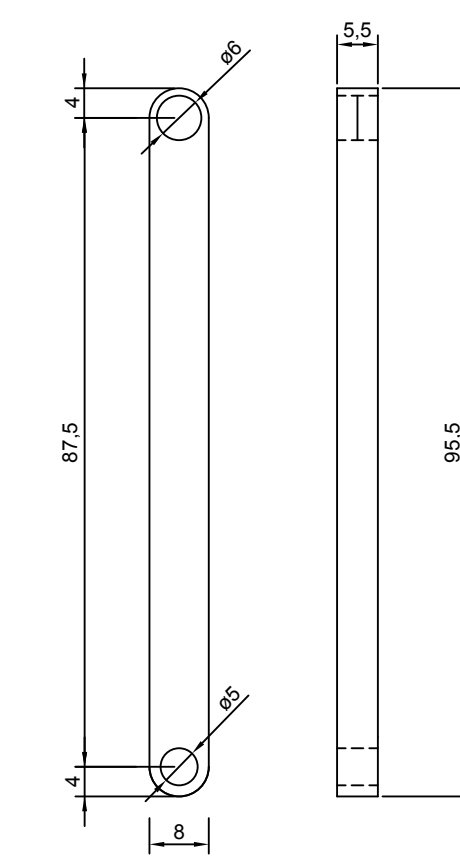


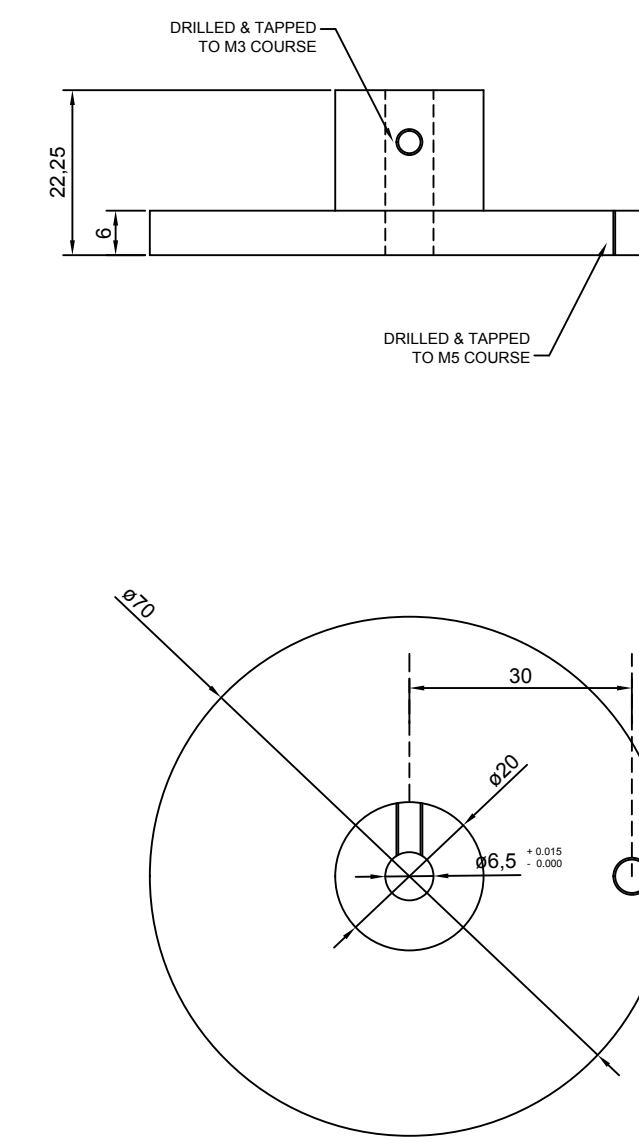
PISTON AND CYLINDER



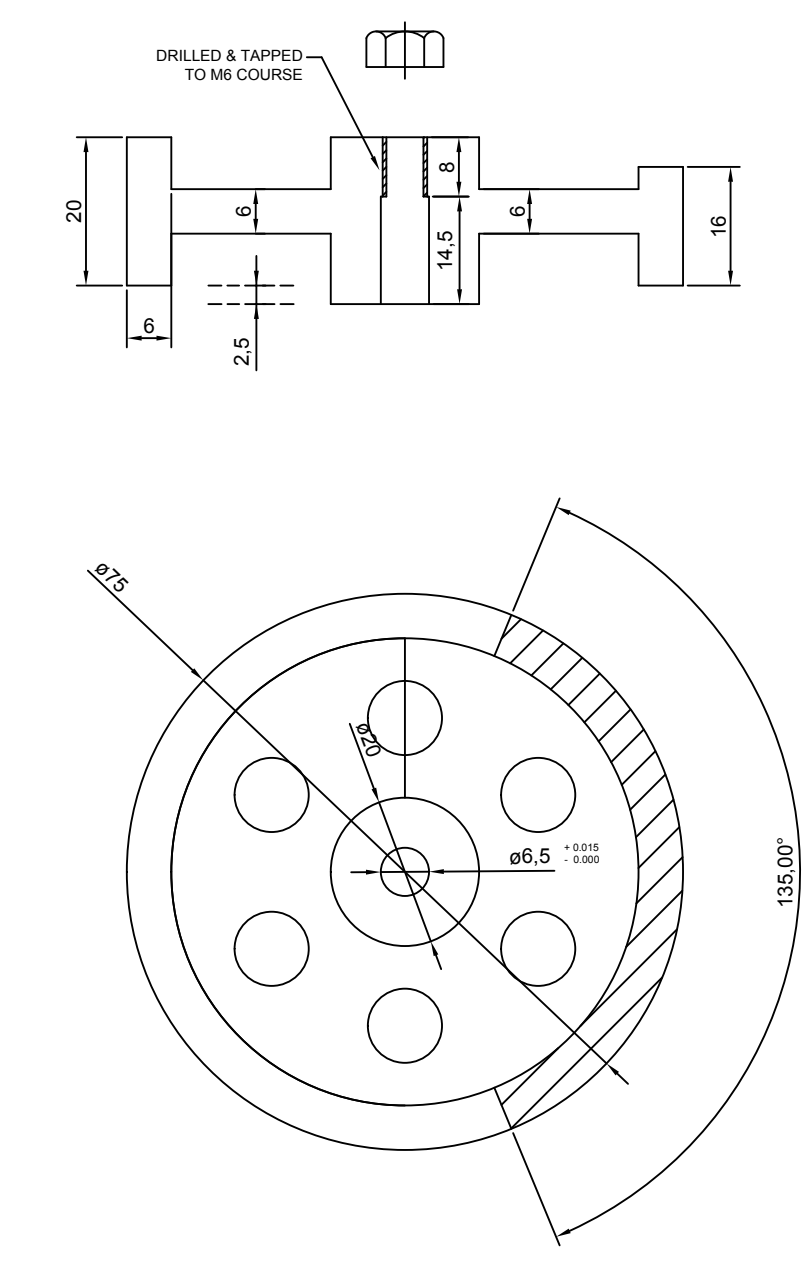
CONECTING ROD



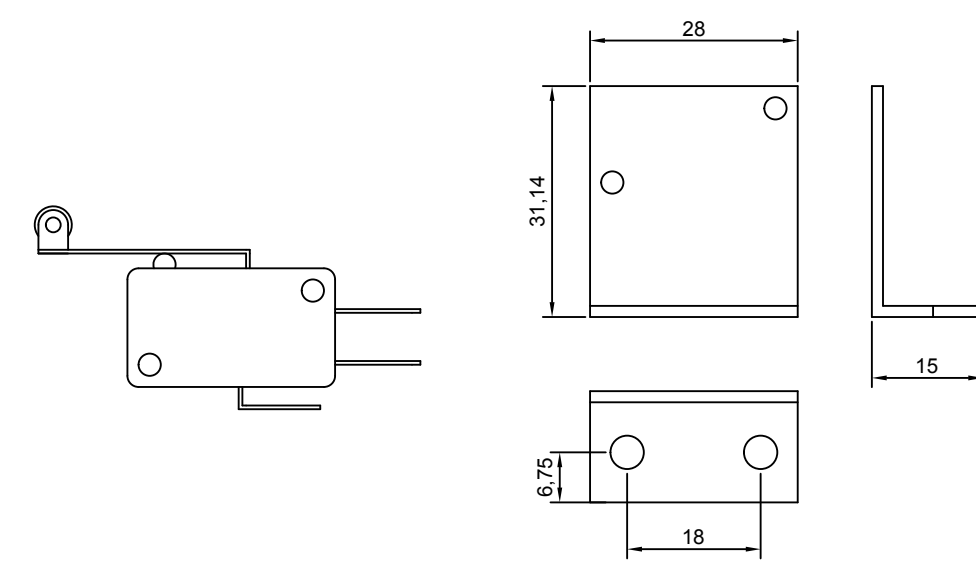
CRANK WHEEL



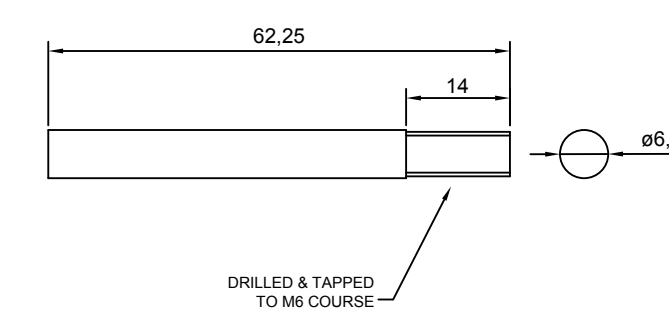
FLY WHEEL



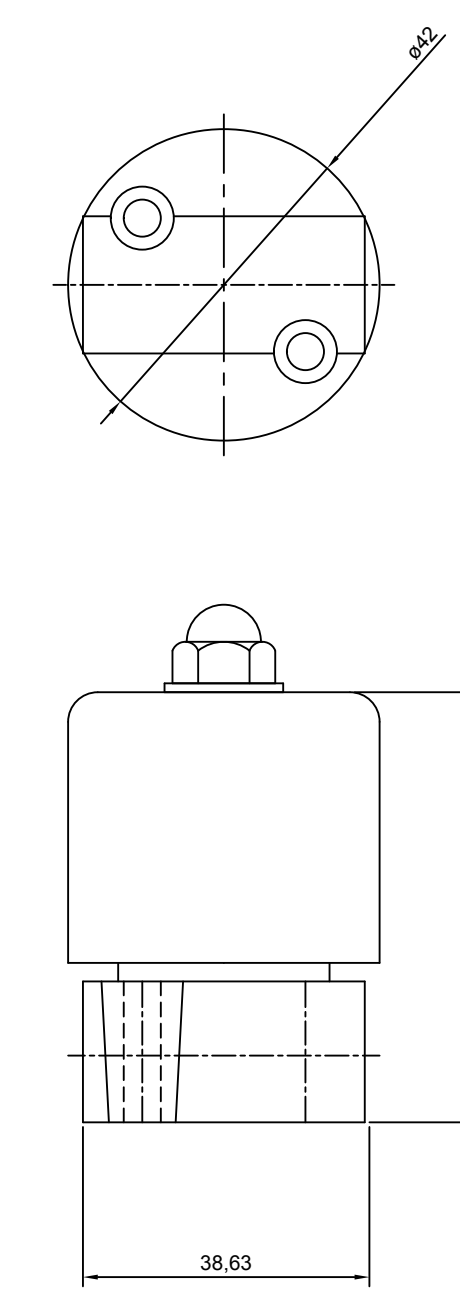
MICRO SWITCH & BRACKET



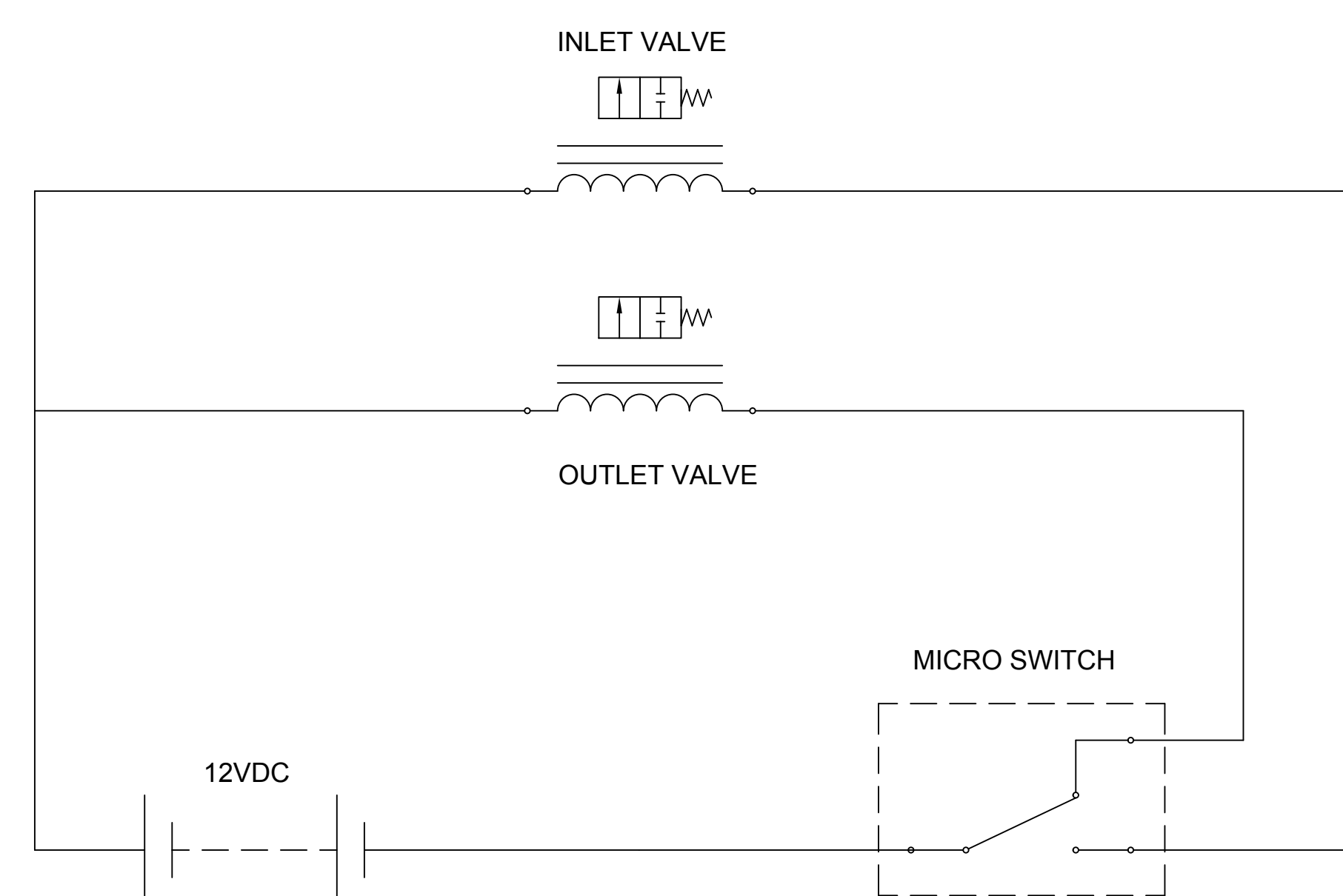
FLYWHEEL AXLE



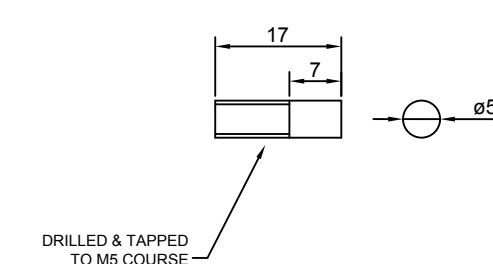
SOLENIOD VALVE




ELECTRICAL SCHEMATIC



CONNECTING ROD PIN "BIG END"



DO NOT SCALE

Designed by TP GOFF	Checked by TP GOFF	Approved by TP GOFF	Date 27/05/2015	Date 25/05/2014
 <p>ICENI ENGINEERING DESIGN LTD COMPANY NUMBER: 08343821</p>			ELECTROMECHANICAL ENGINE	
			PARTS DRAWING	Edition 1AB