

HOMEMADE LEG PRESS MACHINE

DRAWING TITLE

DIMENSIONED VIEWS

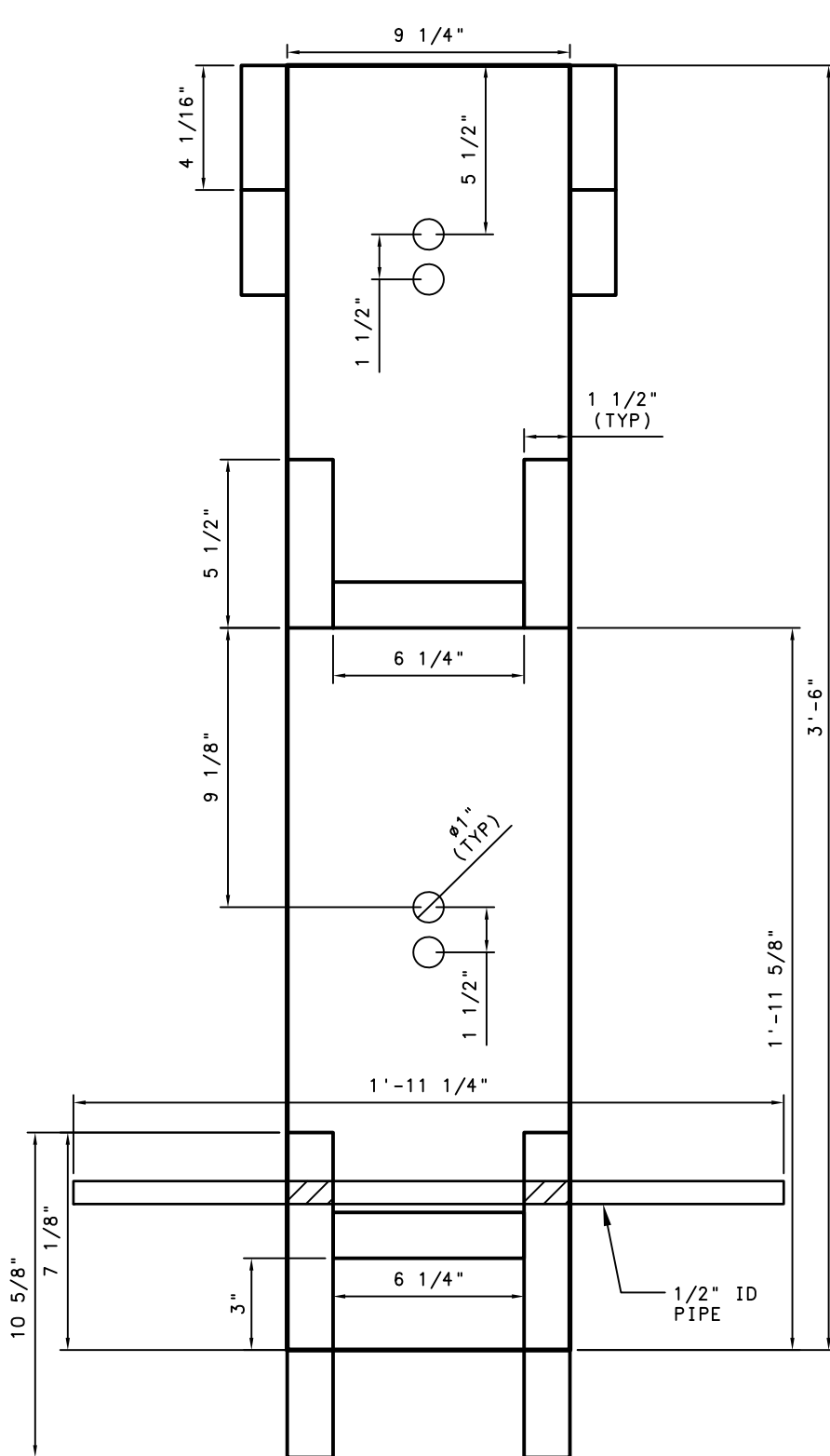
SCALE
TO SCALE

DRAWING NUMBER
IN-02-002-02

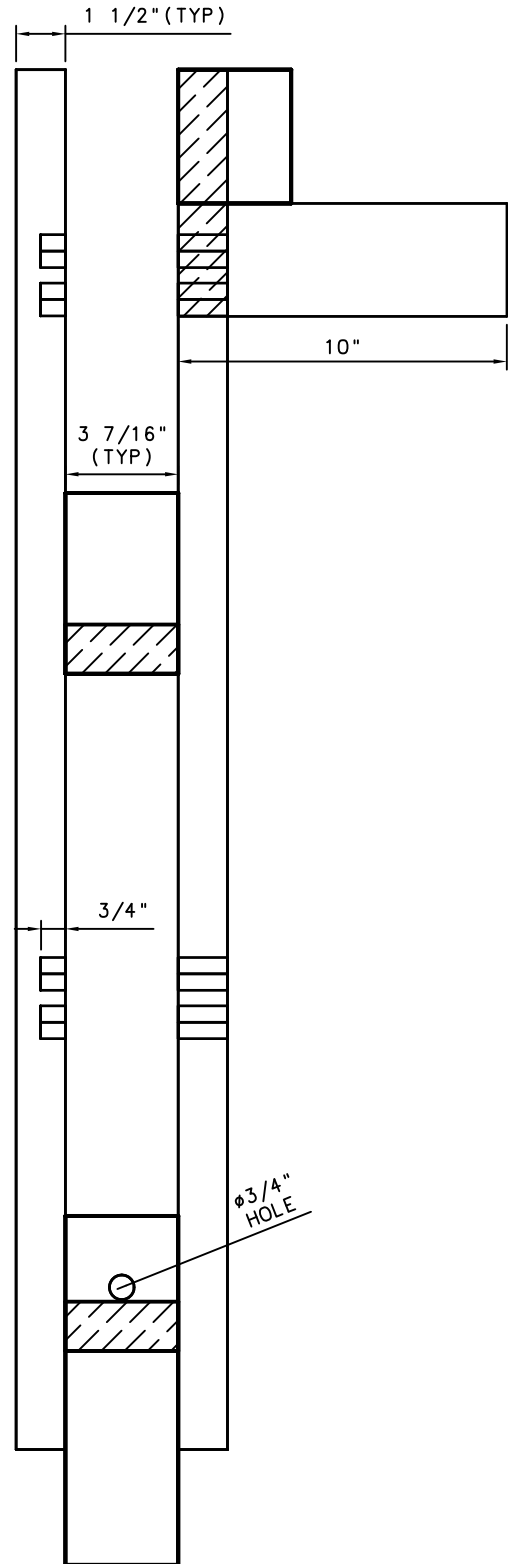
REV. #
1

DATE
08/20/2012

LOCATION OF PROJECT DIRECTIONS
www.instructables.com



FRONT VIEW



SIDE VIEW