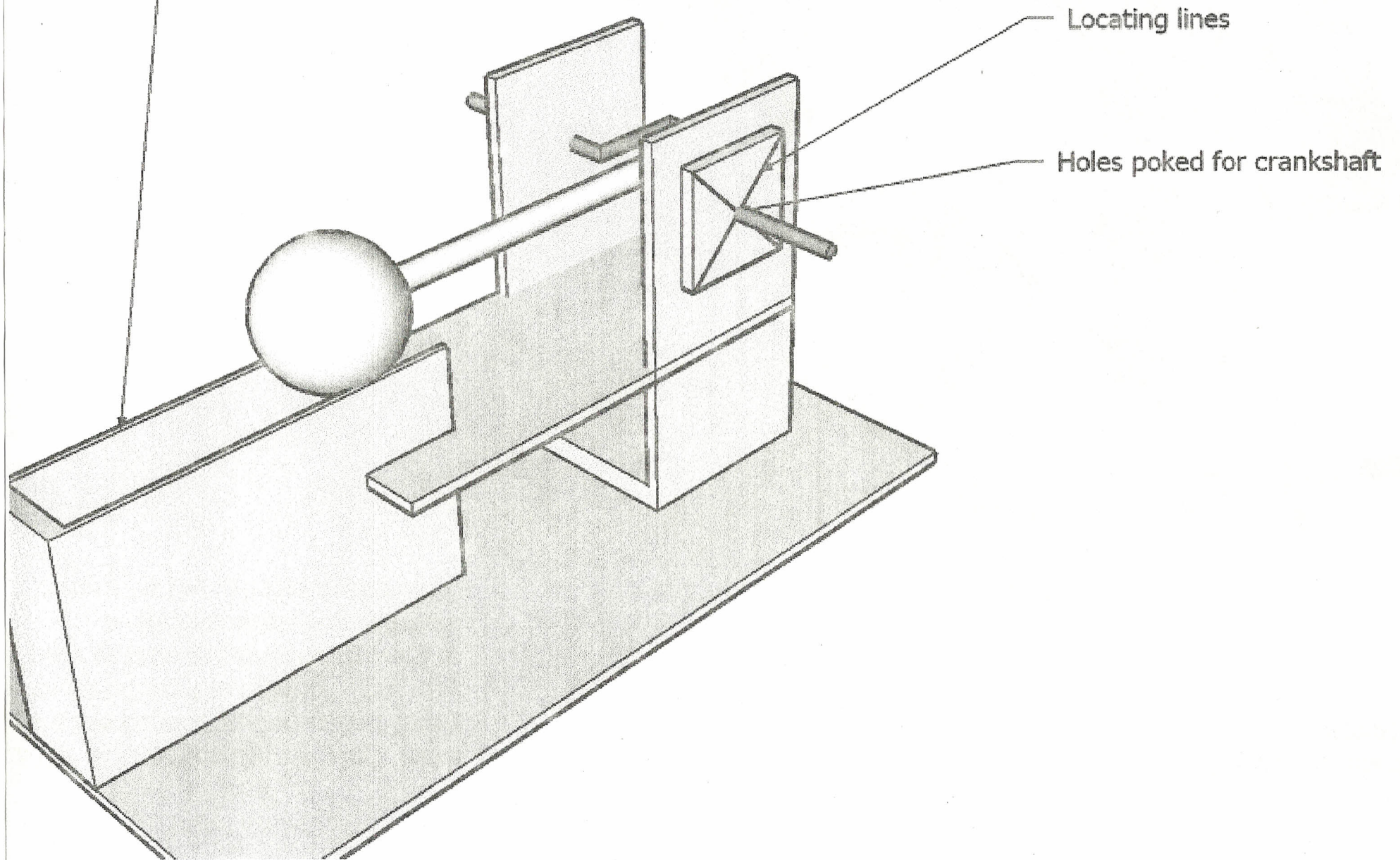
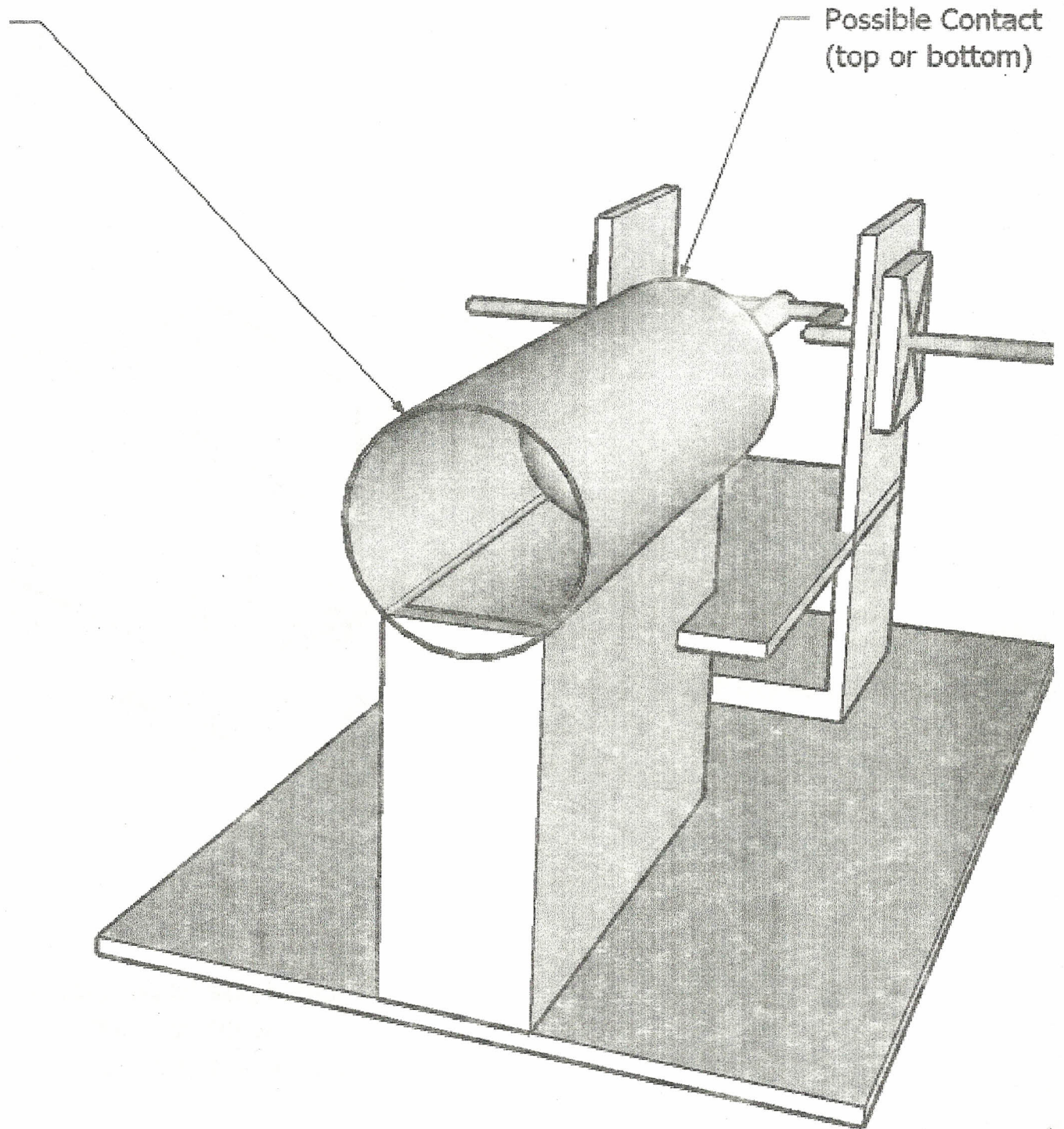
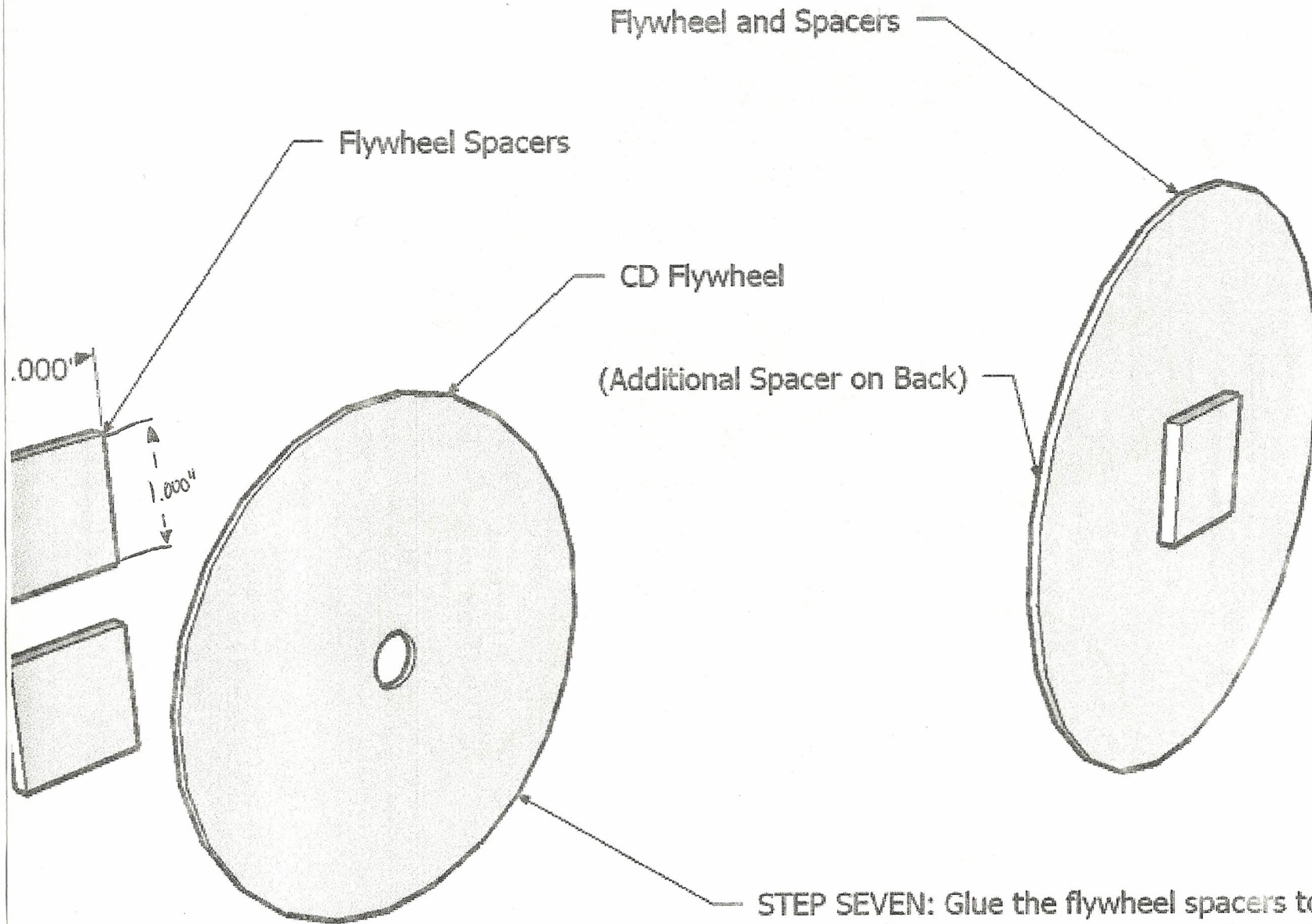


STEP FIVE: Find the center of the Crank Bearings by drawing two lines from corner to corner as shown. Poke holes in both sides, and insert the crankshaft.



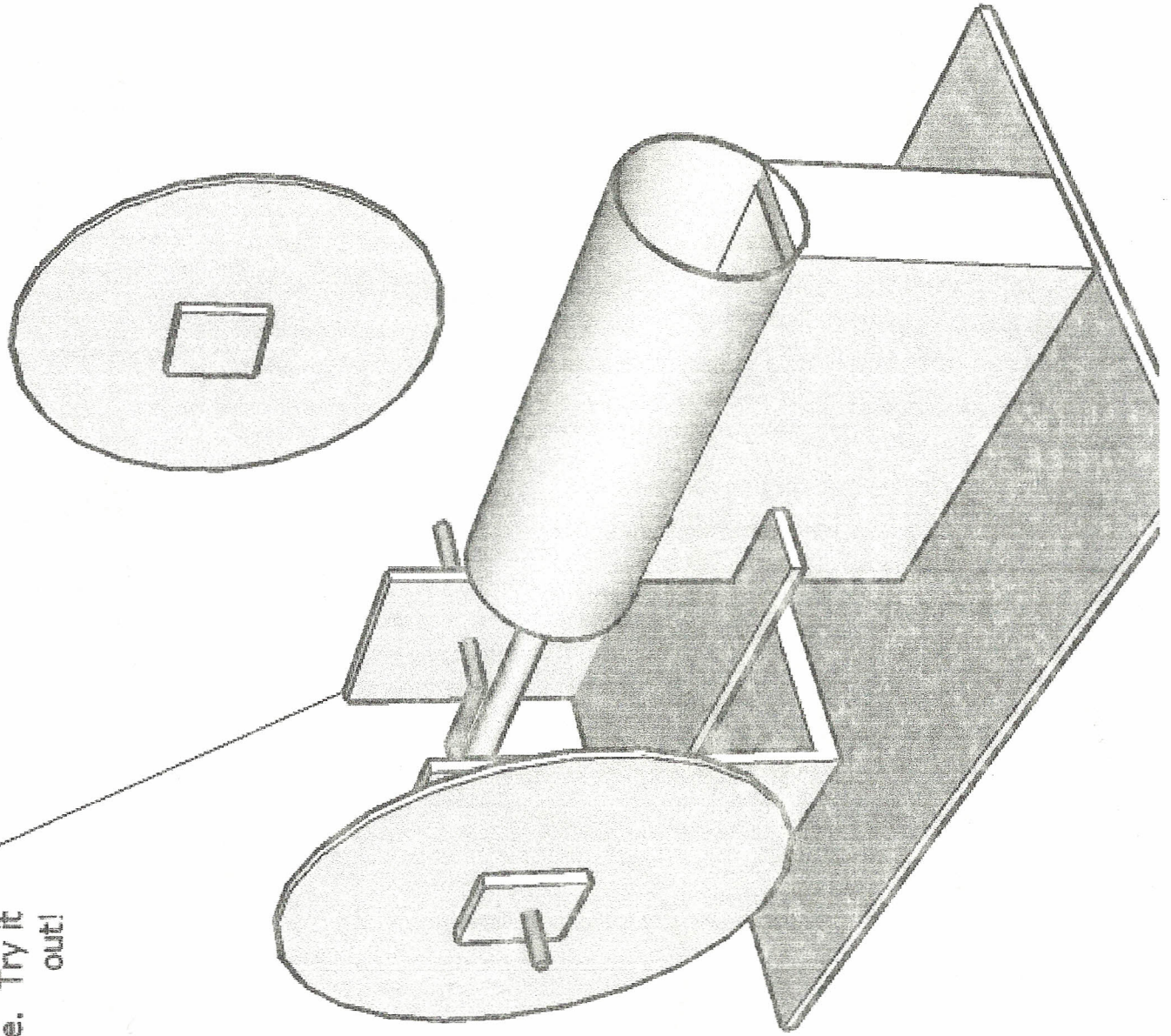
STEP SIX: Attach the cylinder. Make sure the connecting rod moves freely without hitting the cylinder. You may have to slide the cylinder forward to keep the connecting rod from contacting the cylinder at the back.

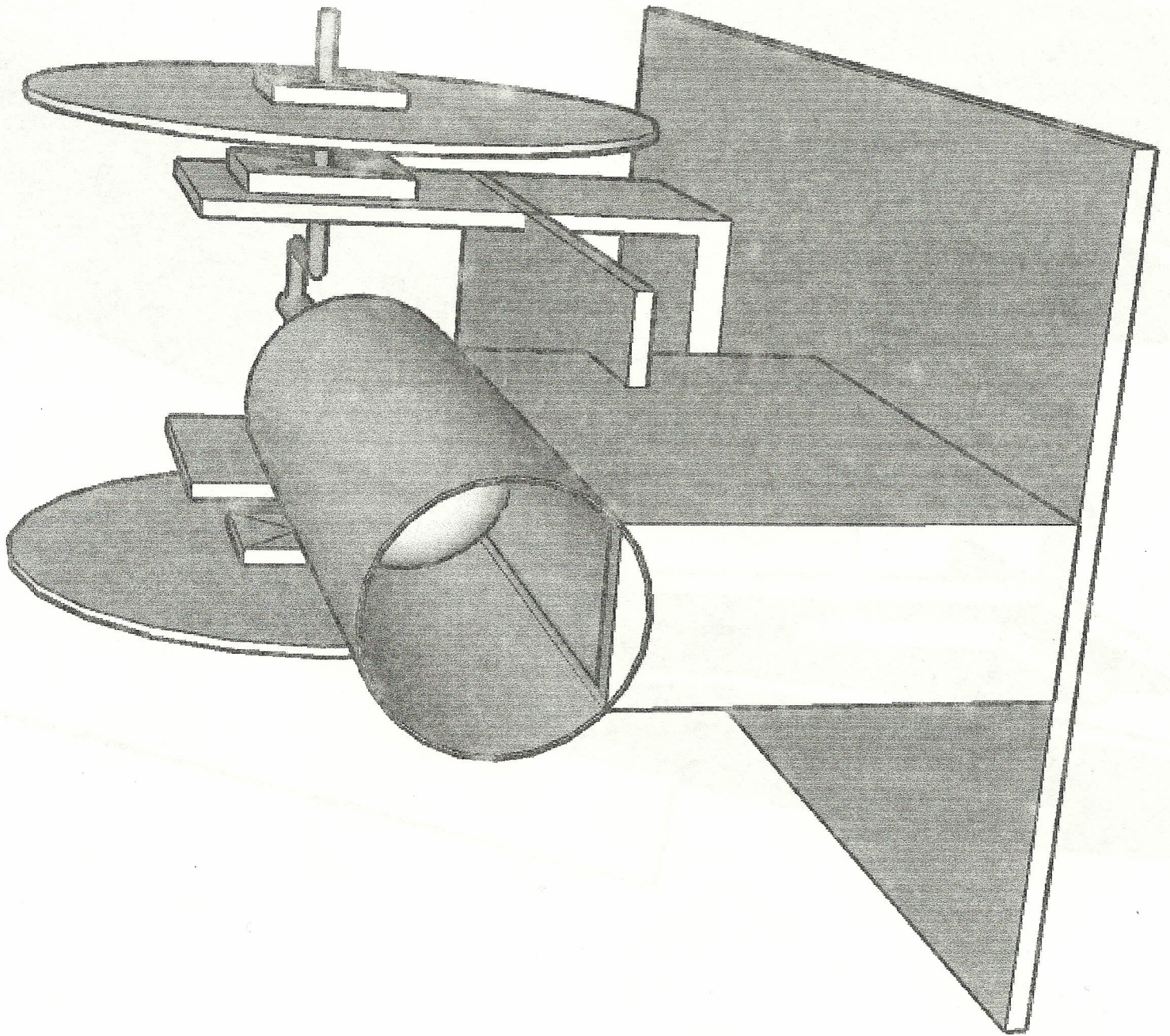


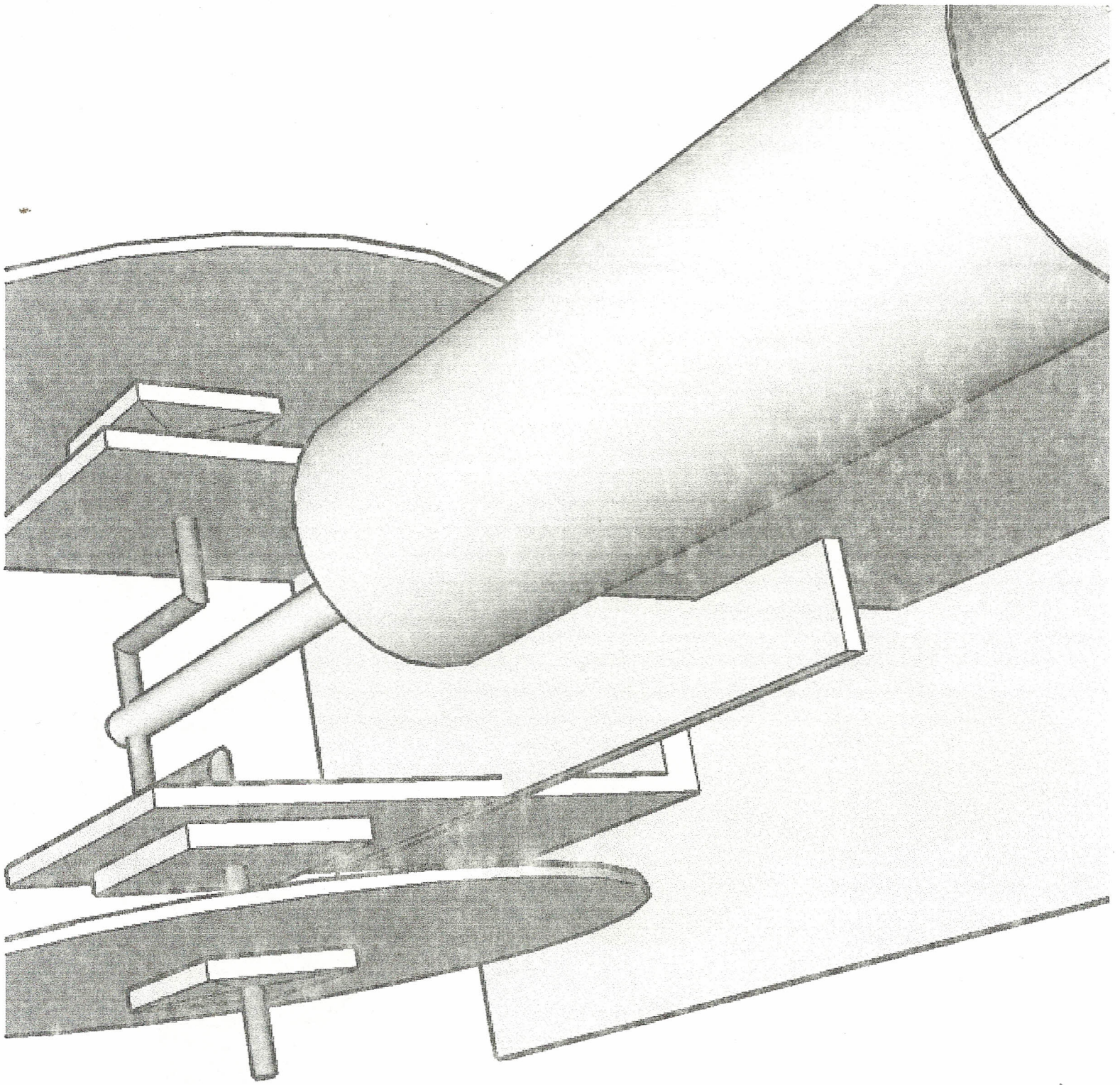


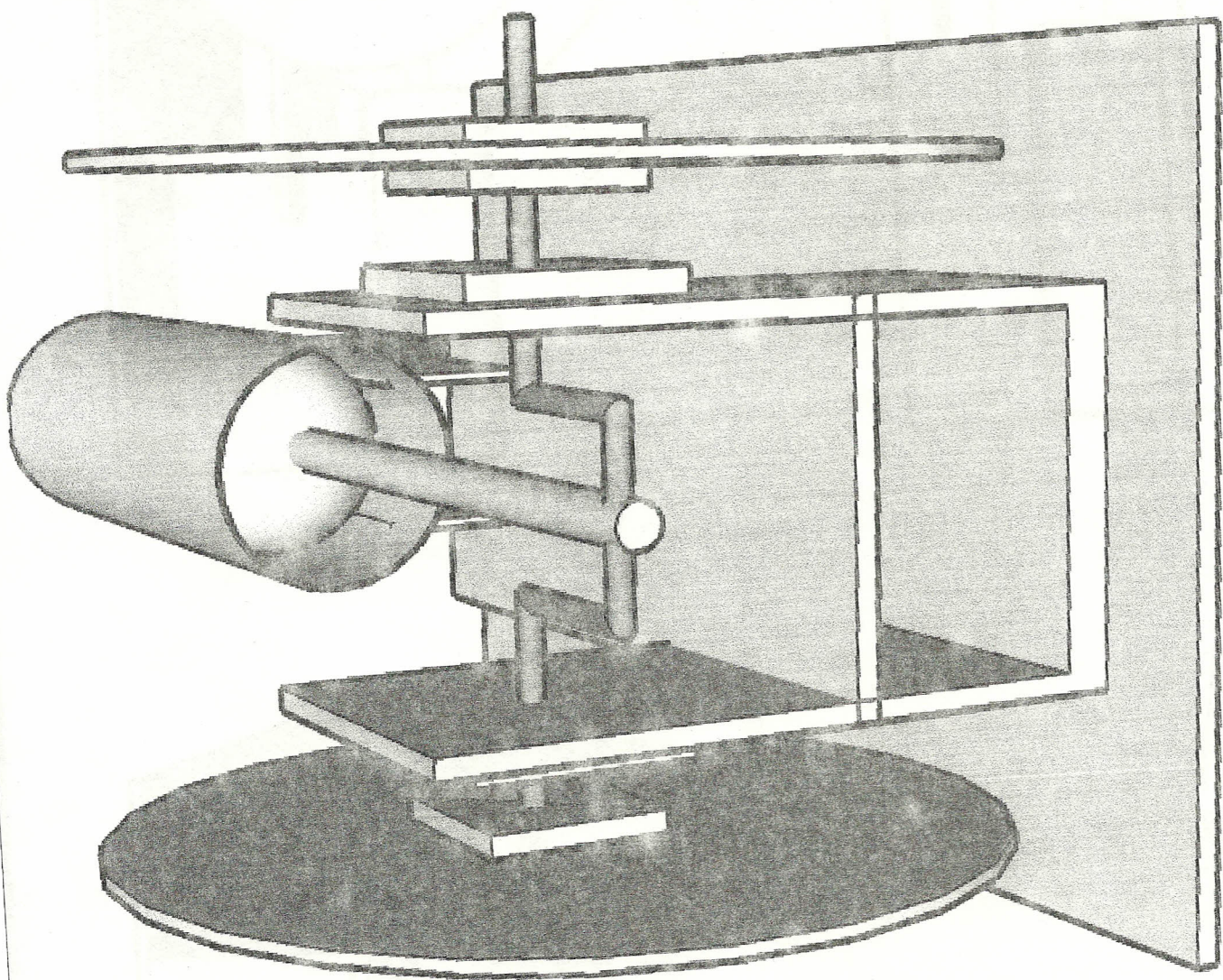
STEP SEVEN: Glue the flywheel spacers to the CD (one on each side!). Poke a small hole through the center of both spacers. Make TWO of these!

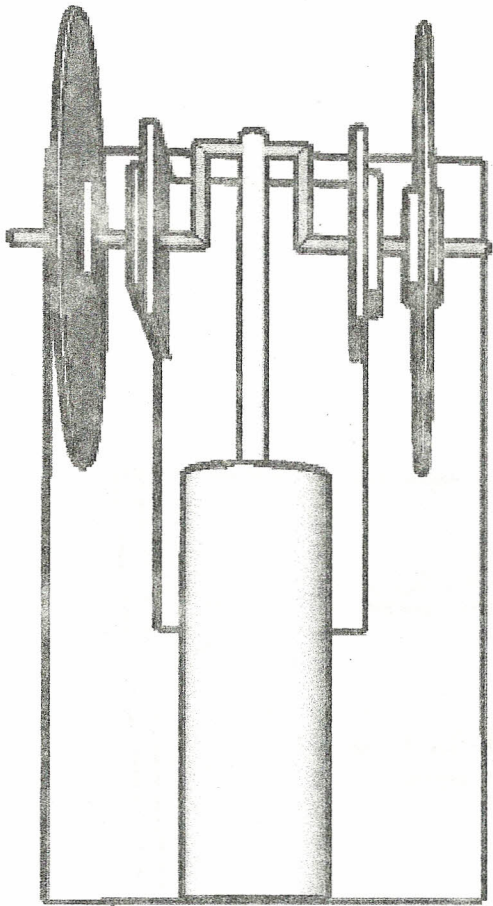
STEP EIGHT: Attach the two flywheels to the engine. Try it out!



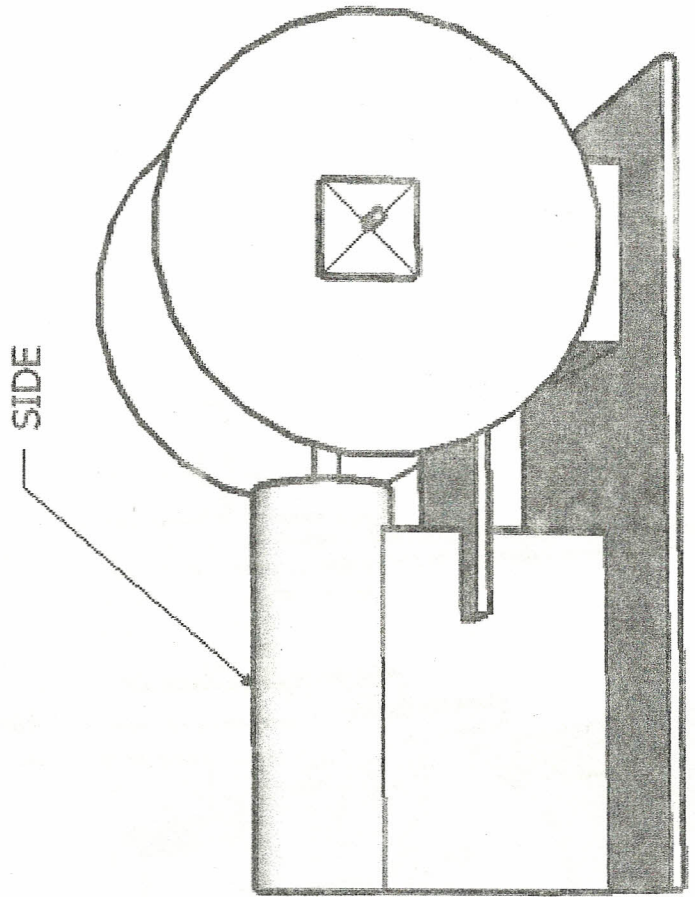




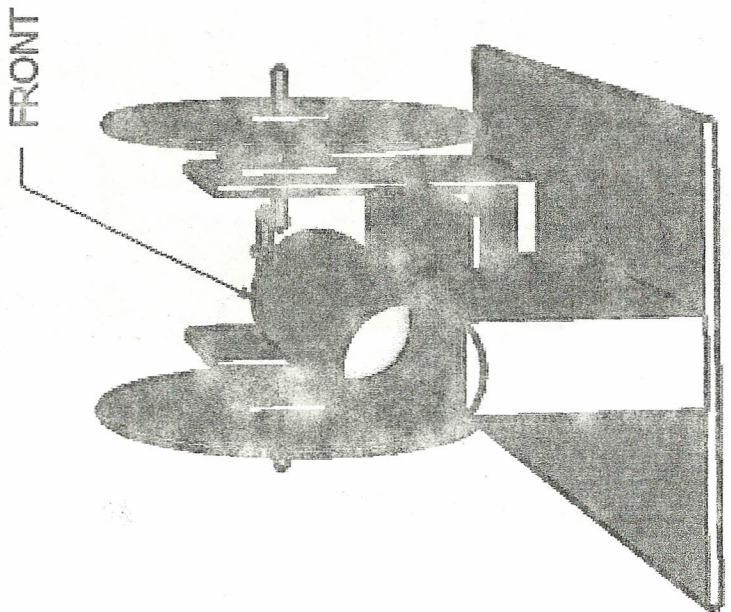




TOP



SIDE



FRONT