

INSTRUCTIONS

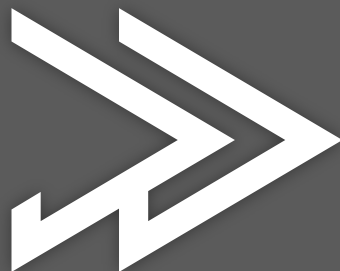
59.2cm/39.4cm

TESTAROSSA

PAPERCRAFT



Designed by Sergio Díaz

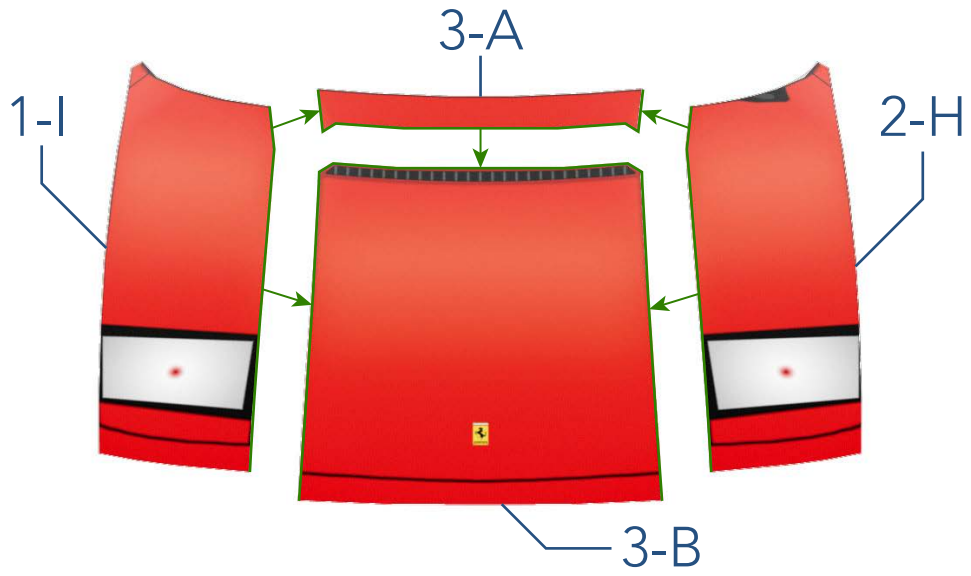


If you enjoyed the **TESTAROSSA** papercraft please support my efforts by making a donation of any amount at,

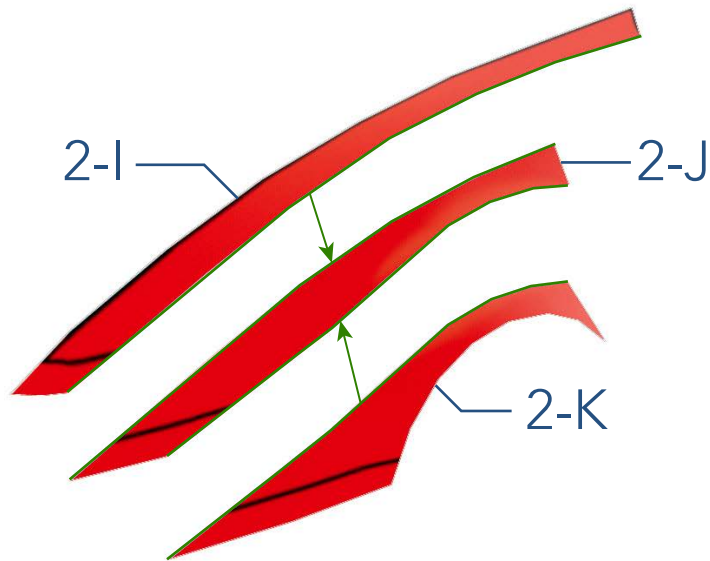
<https://sergiodanidiaz.wixsite.com/ddiaz-paper-design/>

Thank you!

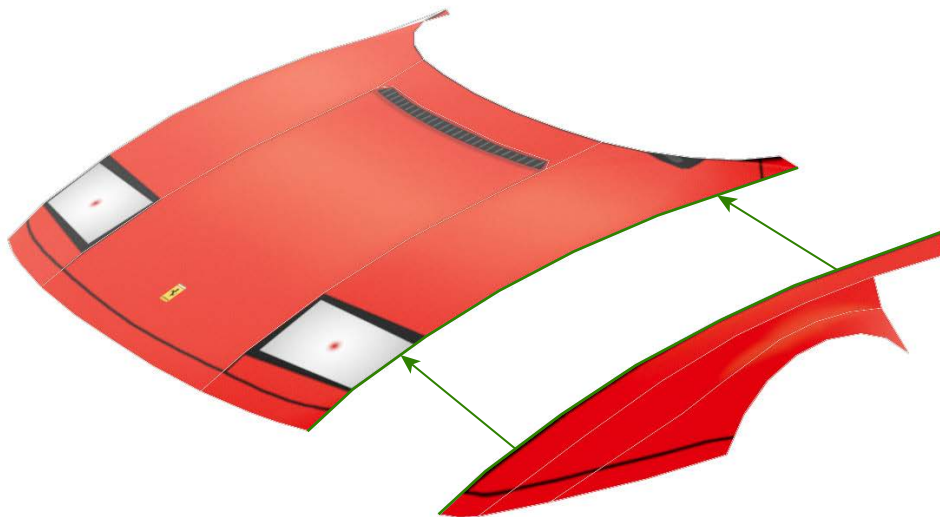
1



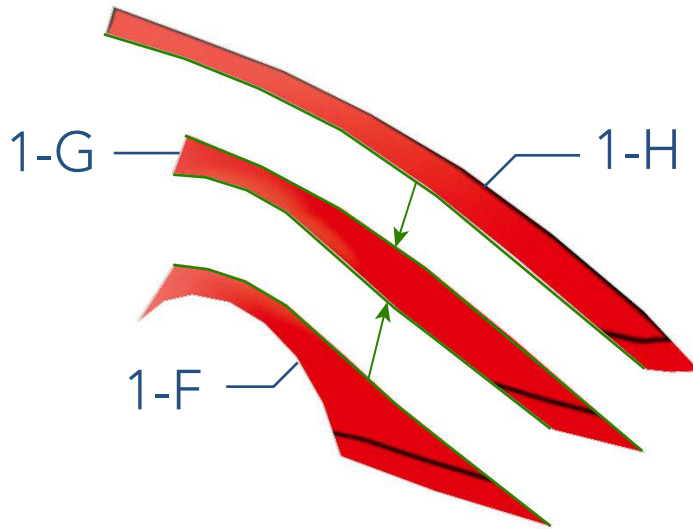
2



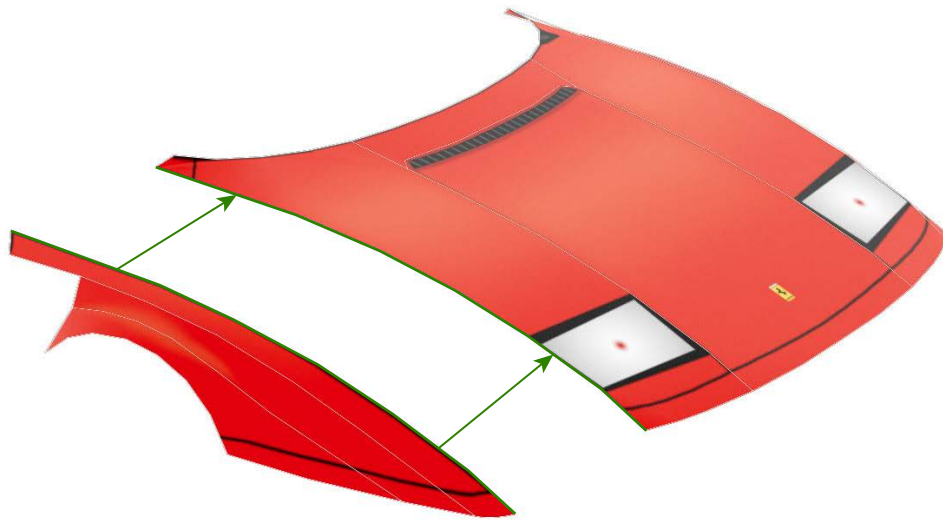
3



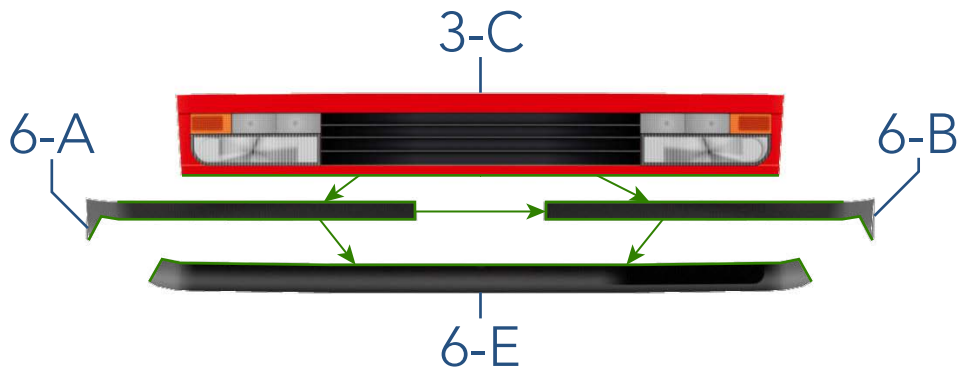
4



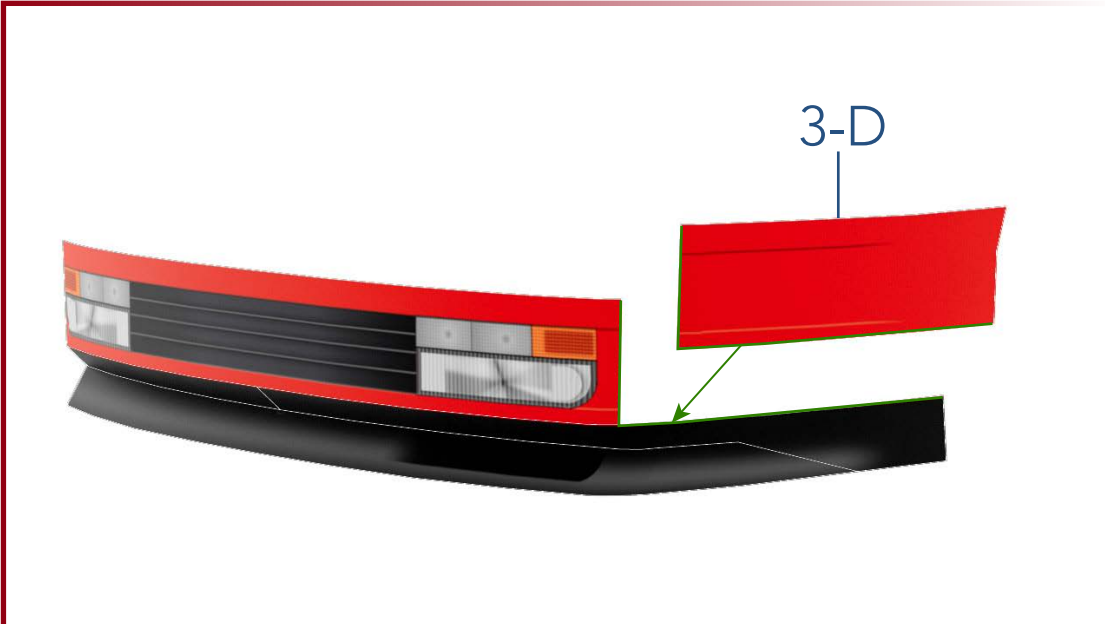
5



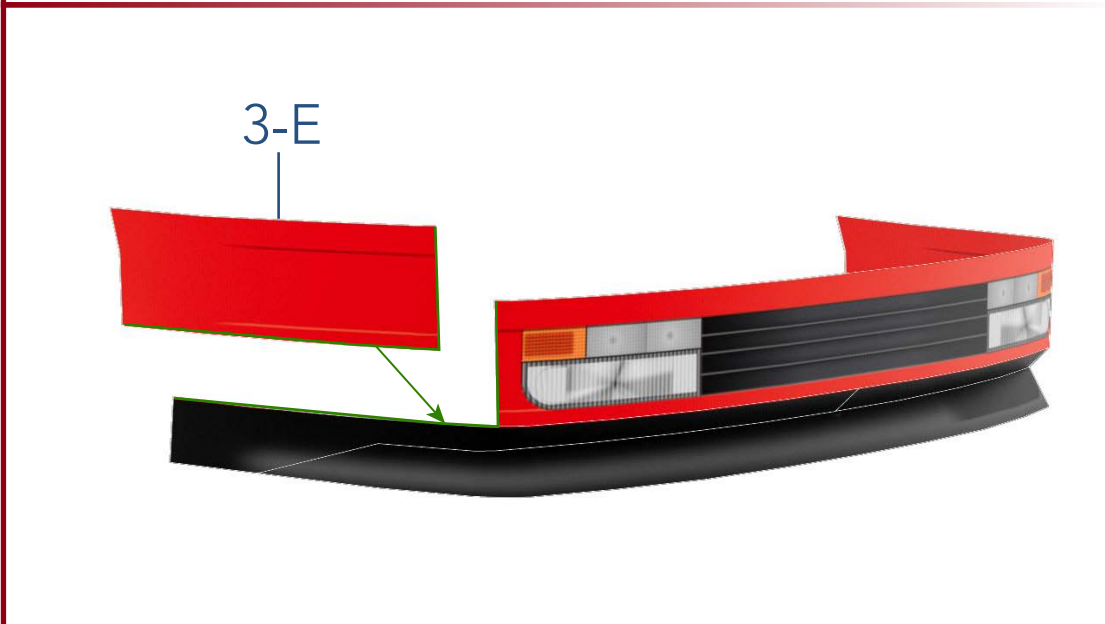
6



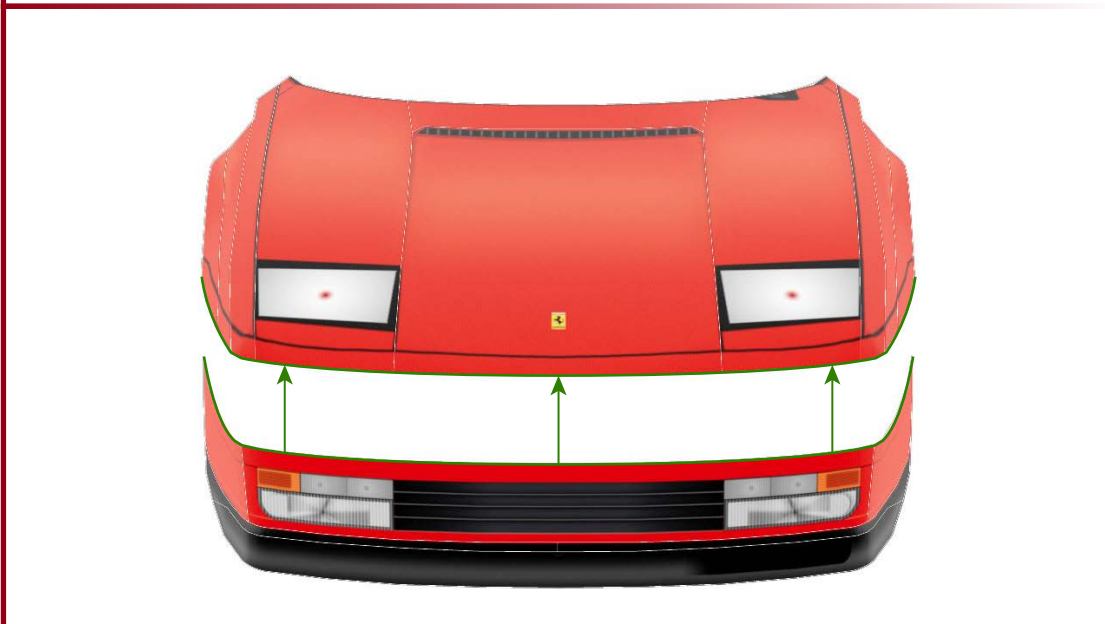
7



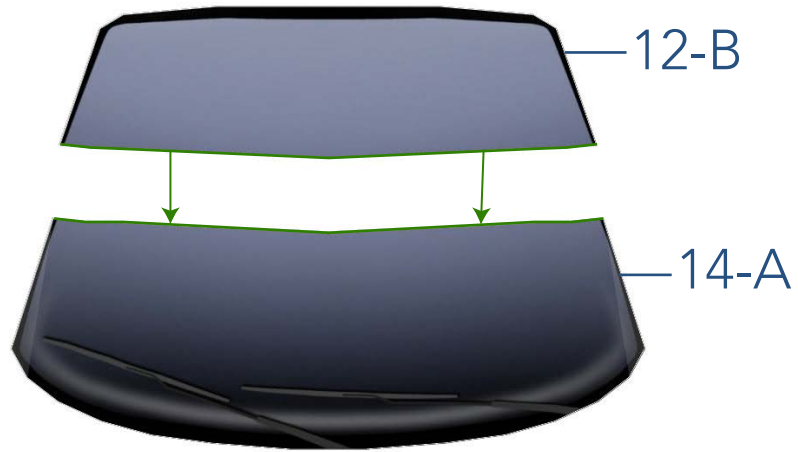
8



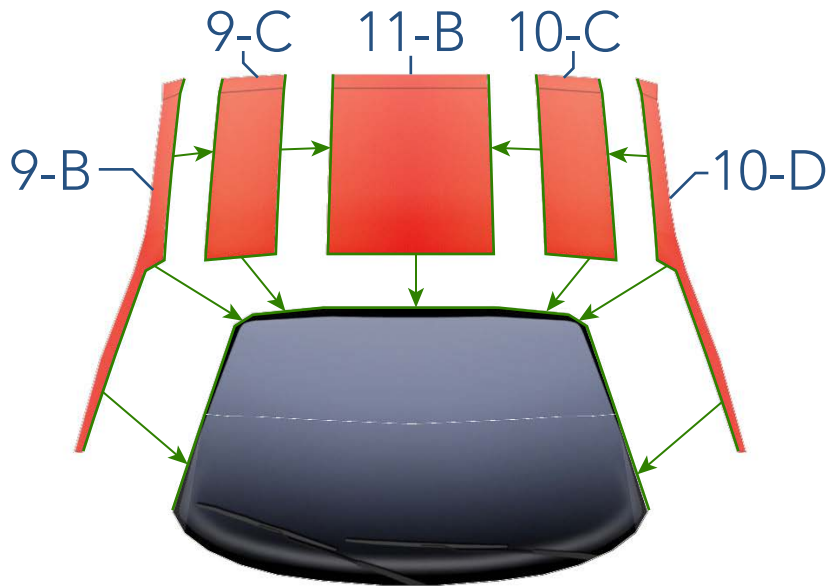
9



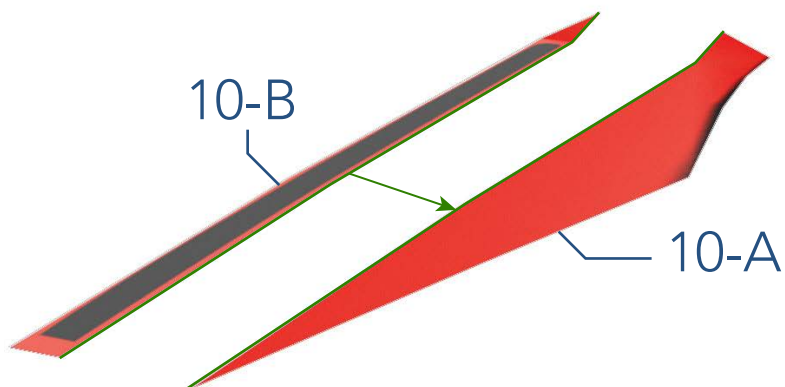
10



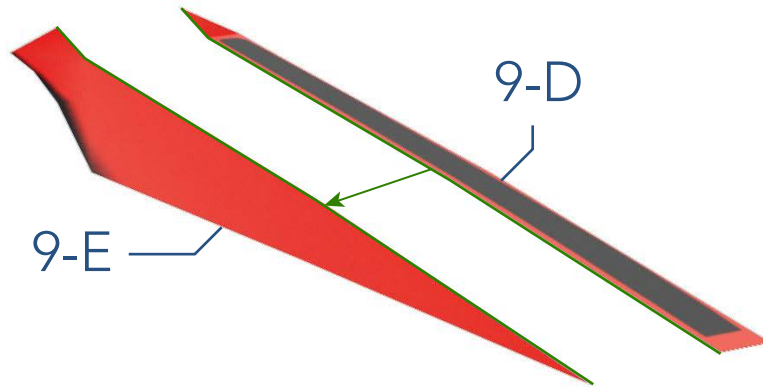
11



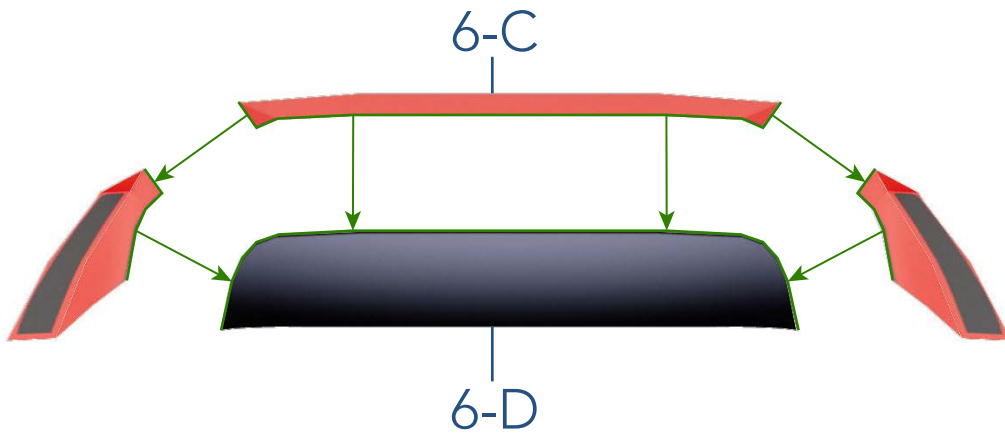
12



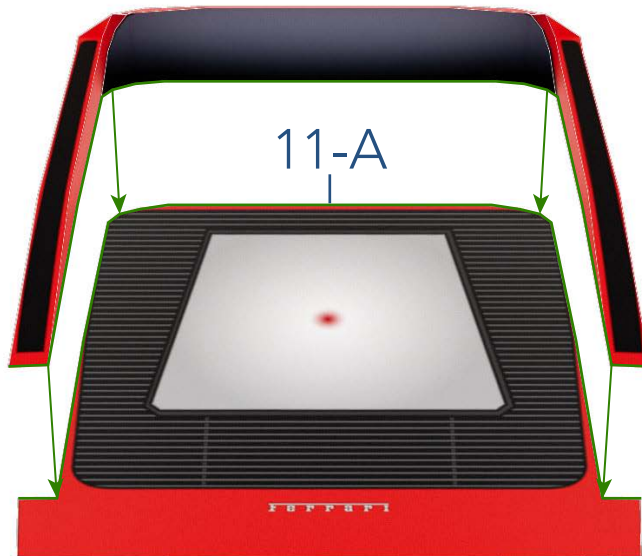
13



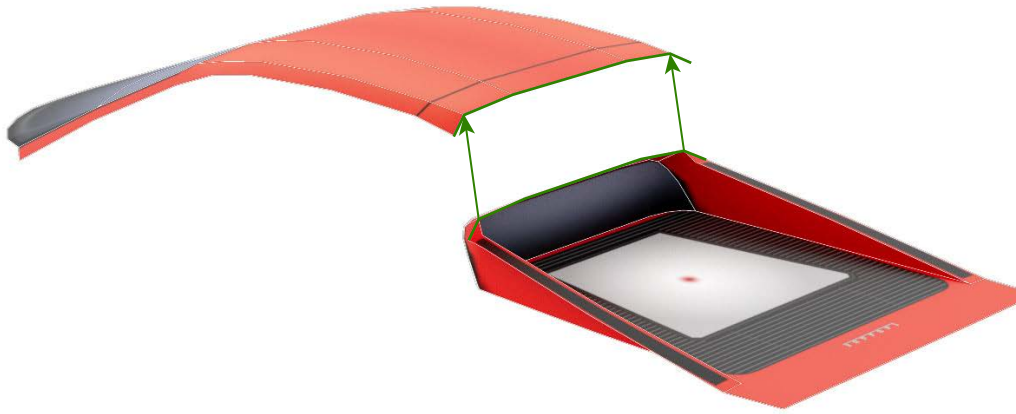
14



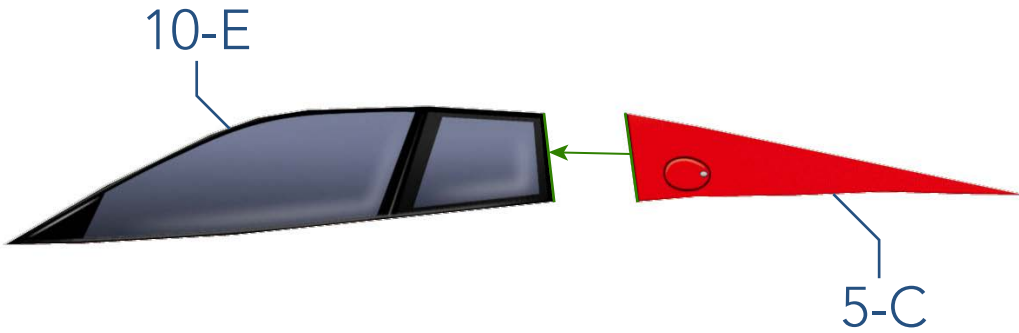
15



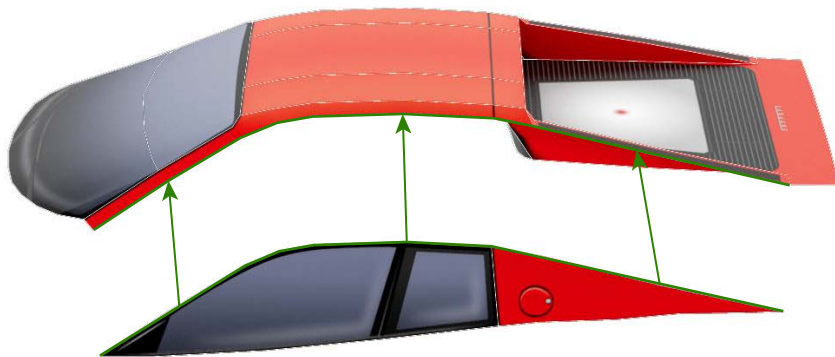
16



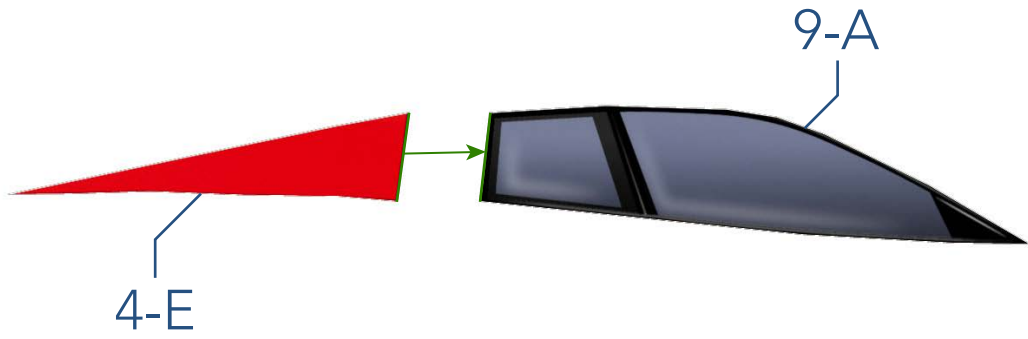
17



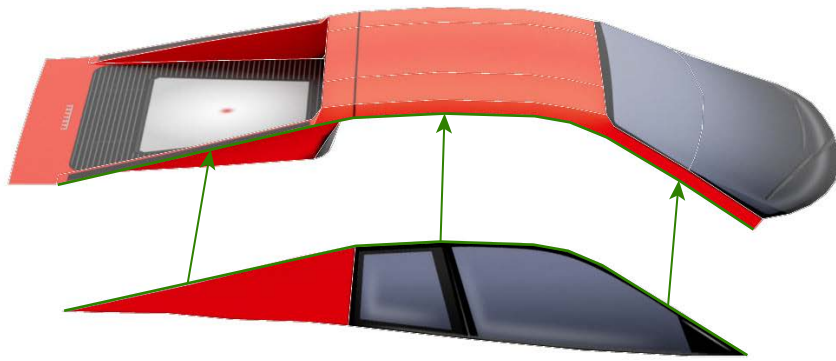
18



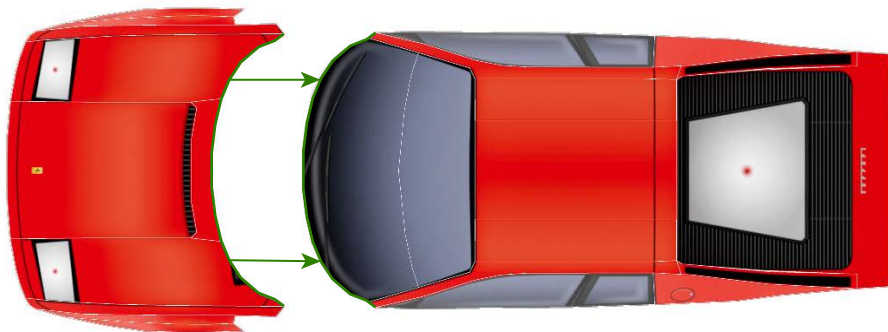
19



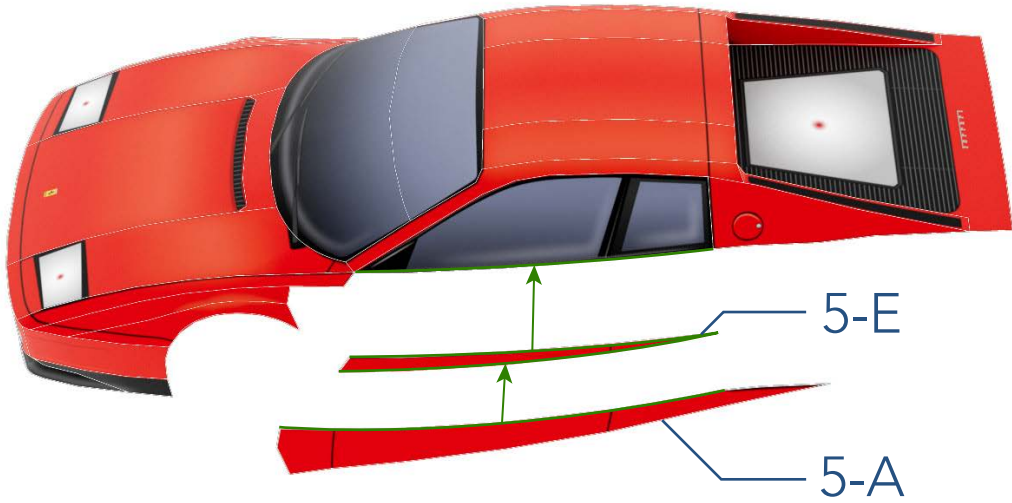
20



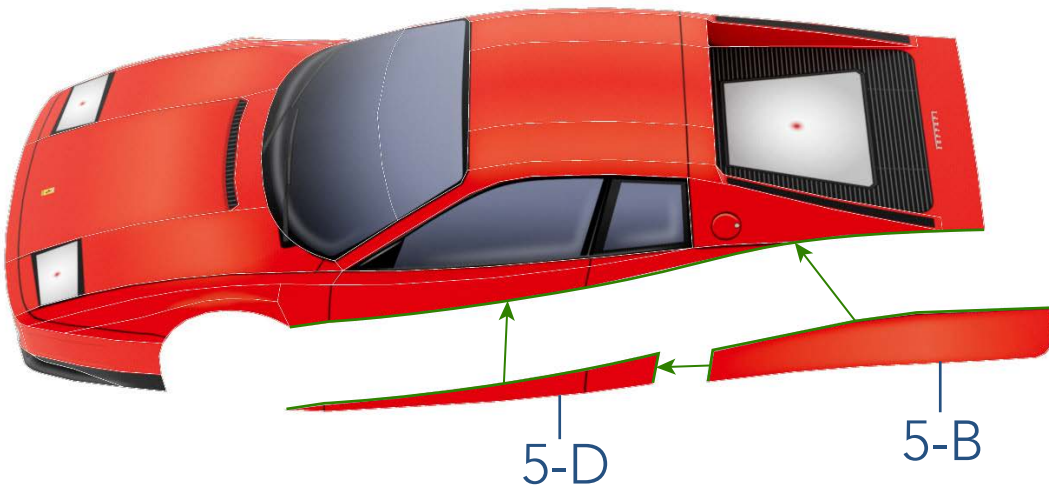
21



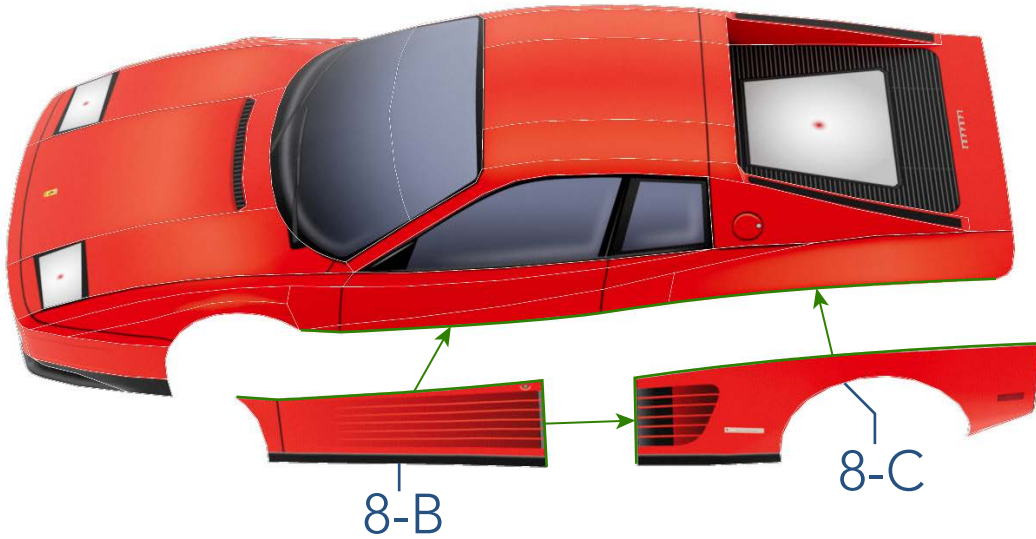
22



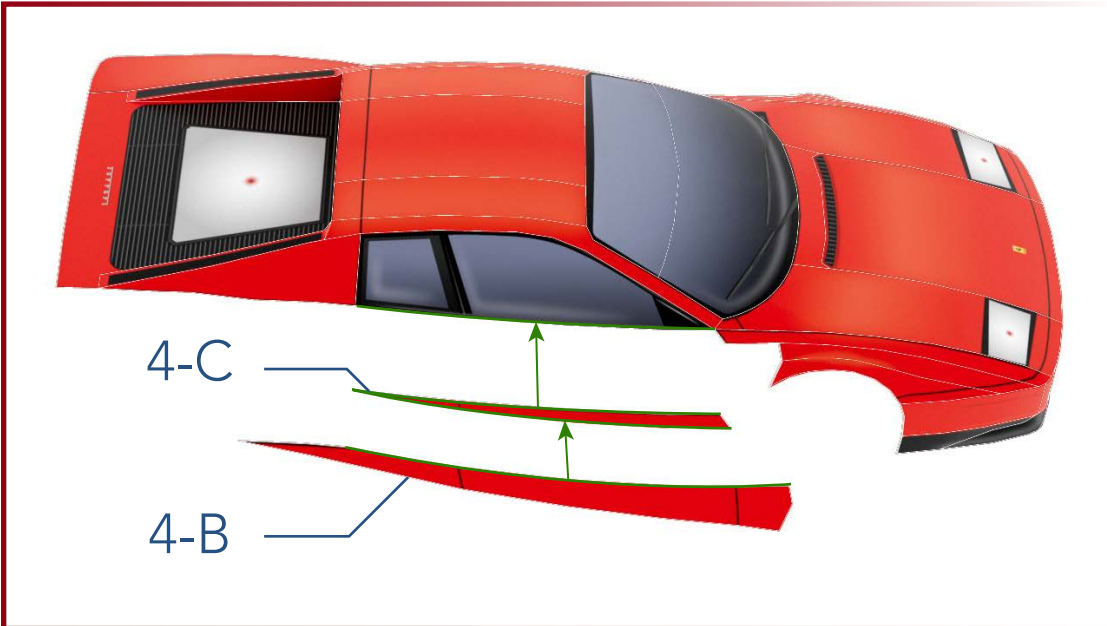
23



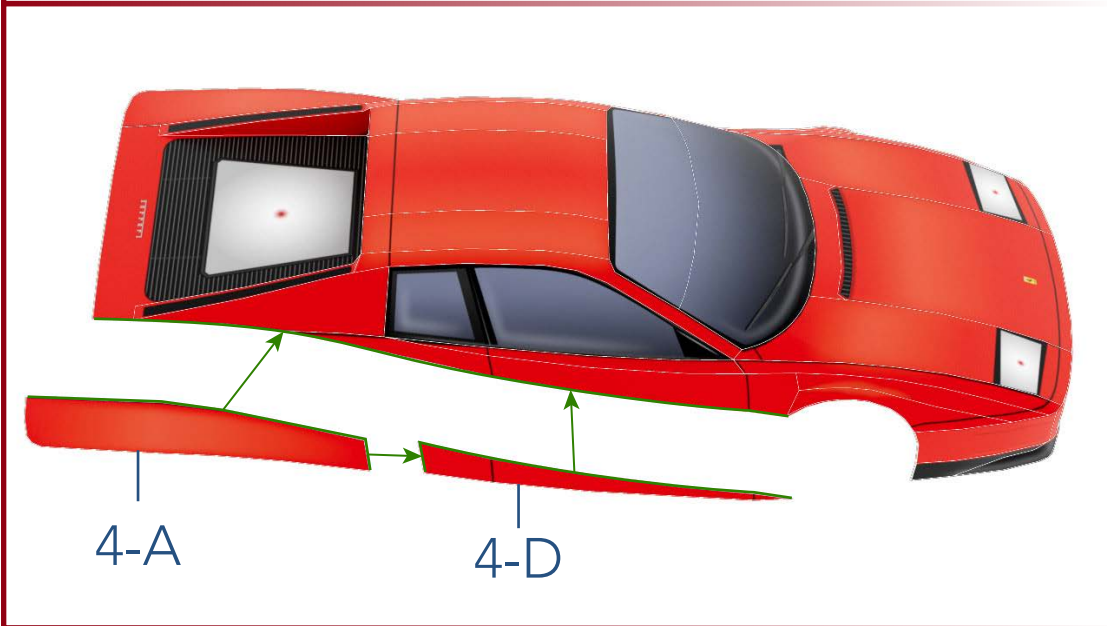
24



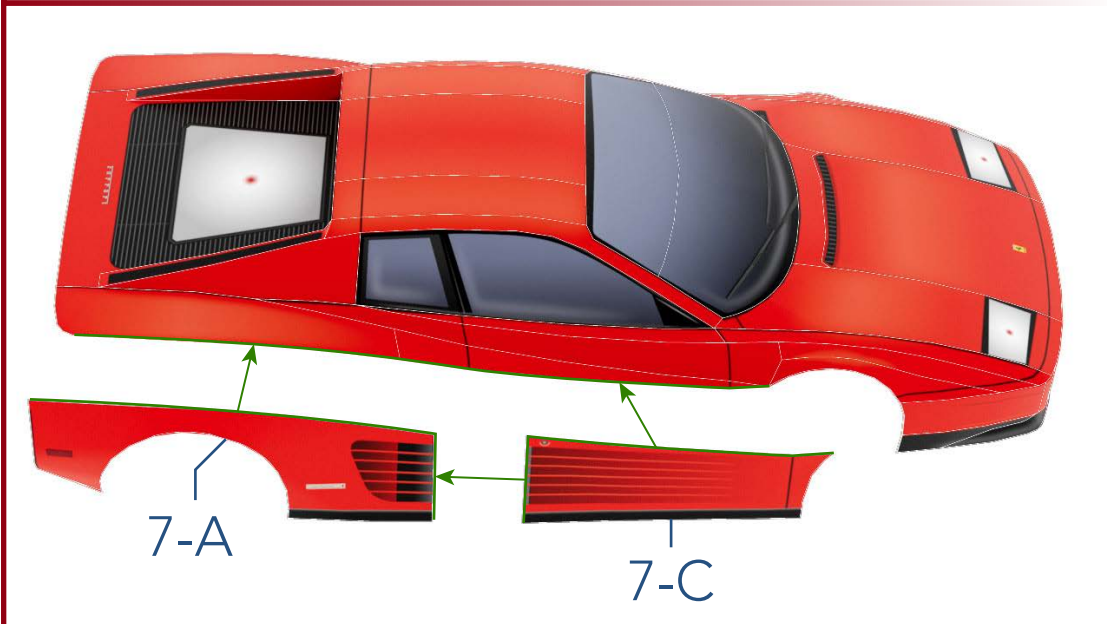
25



26



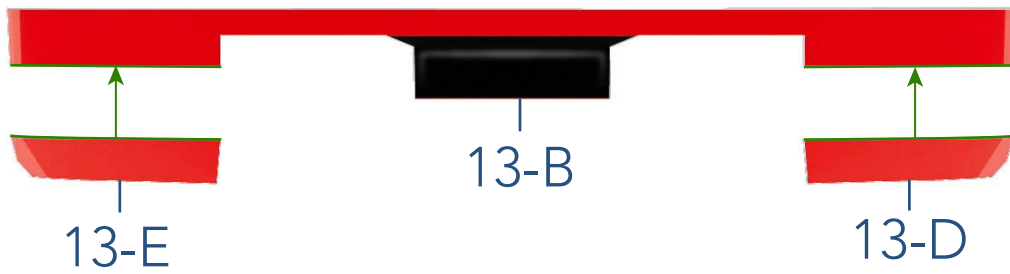
27



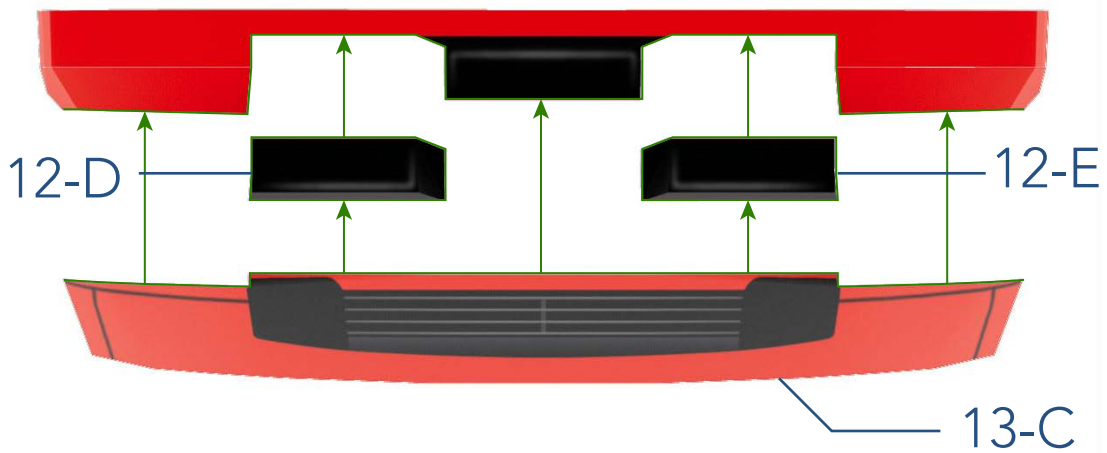
28



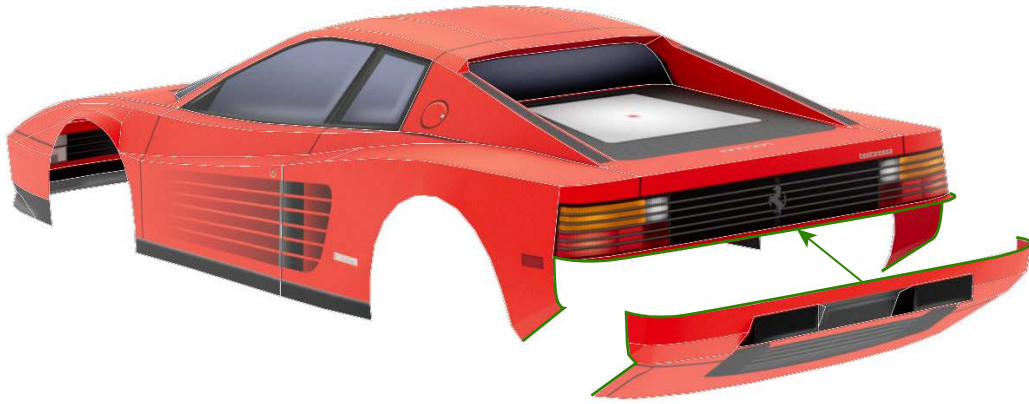
29



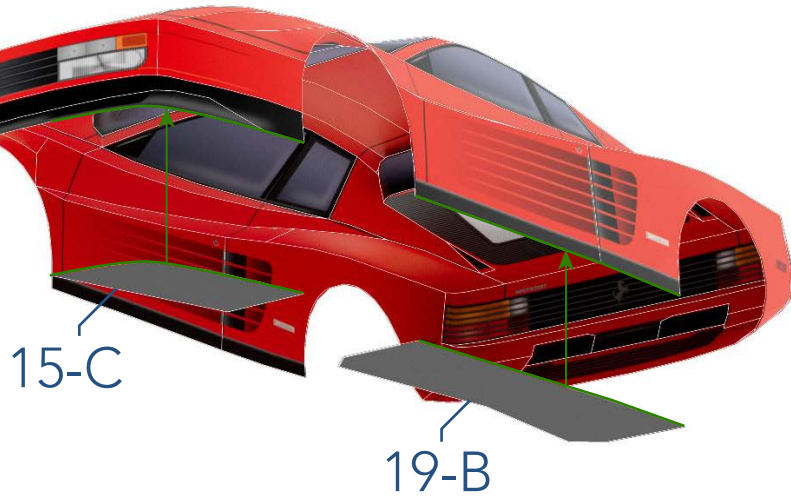
30



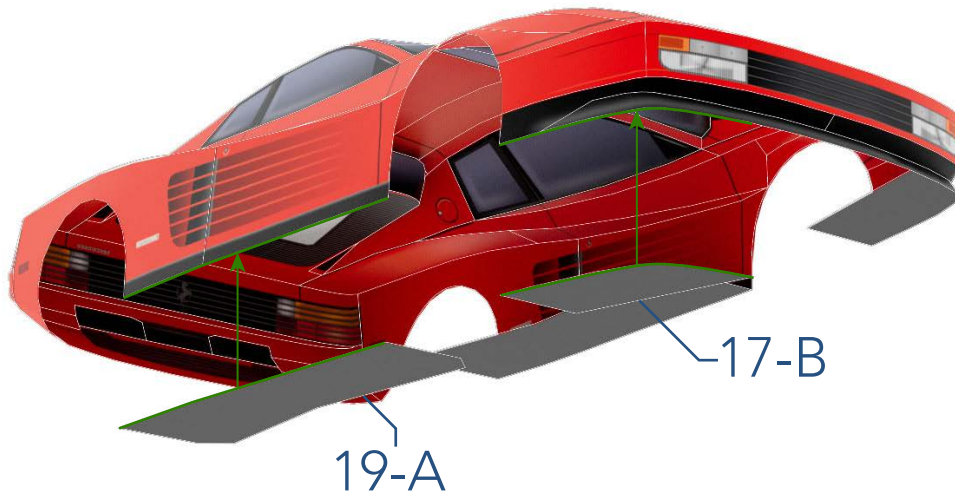
31



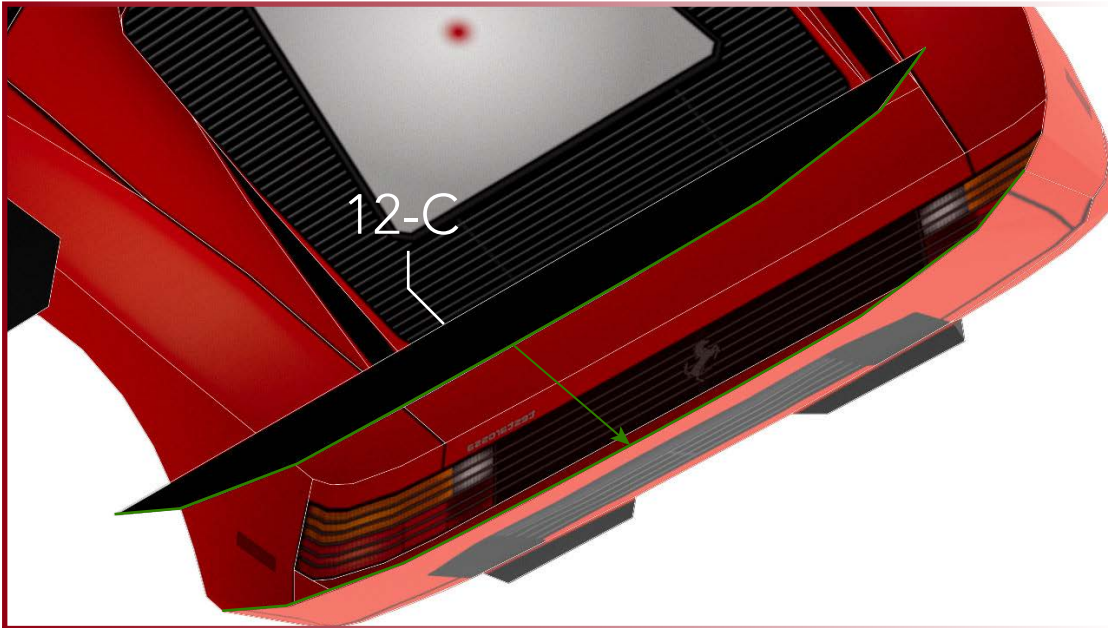
32



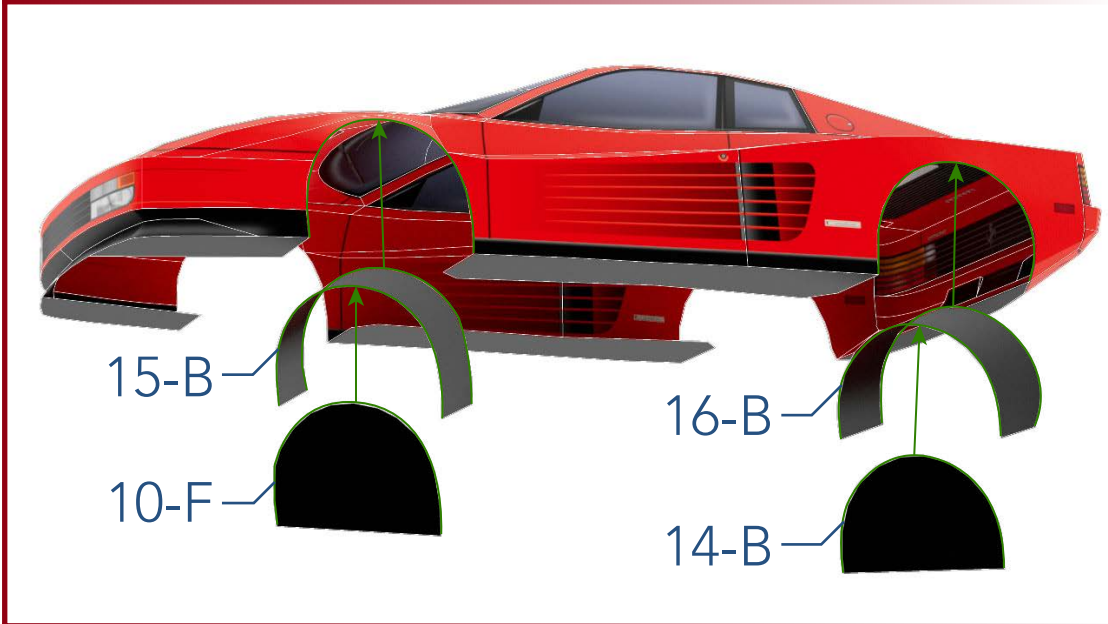
33



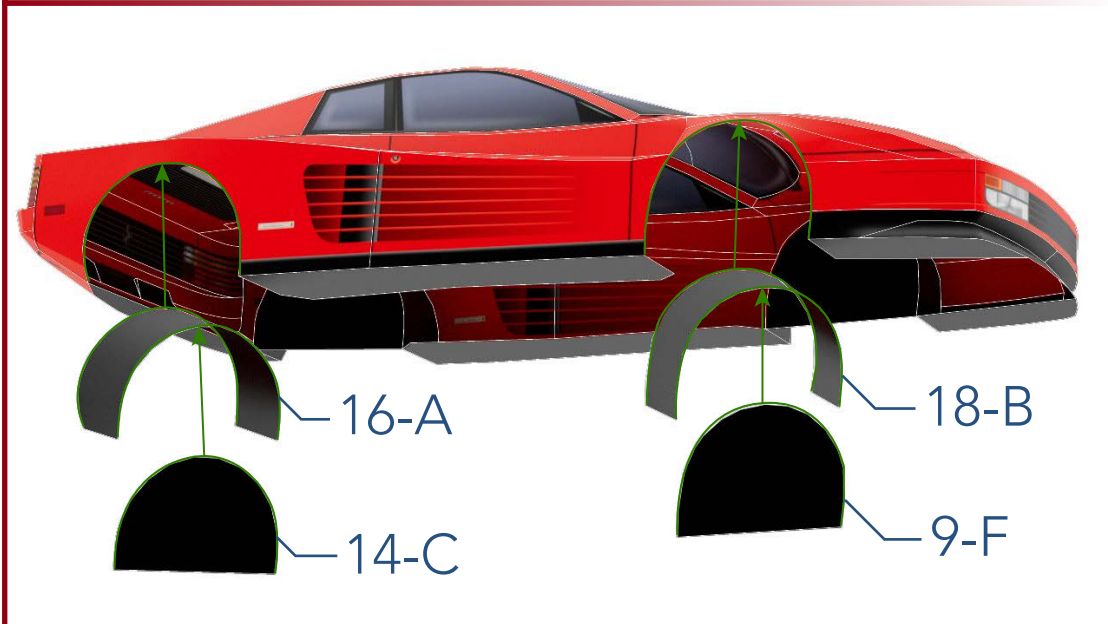
34



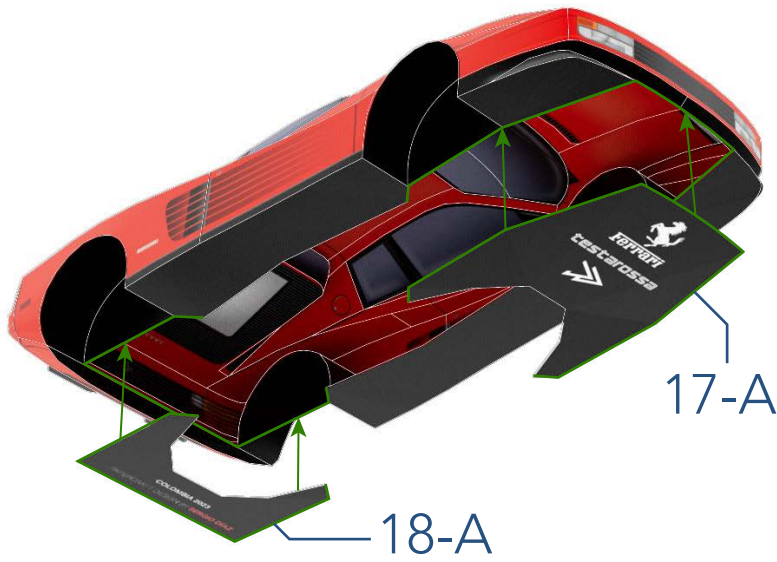
35



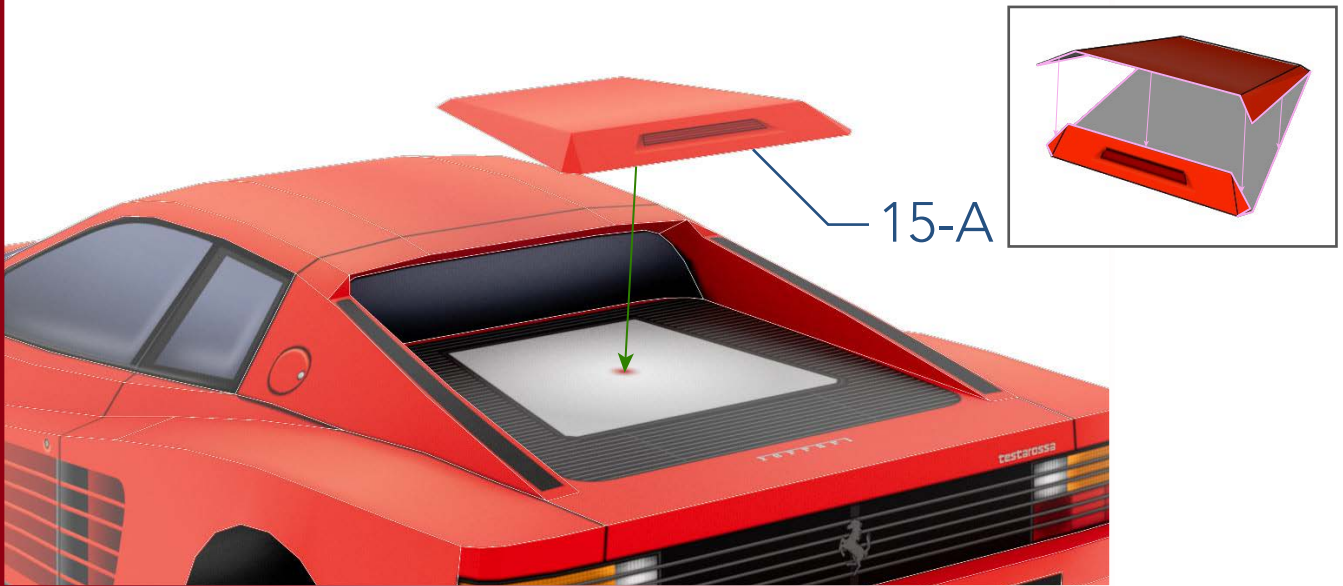
36



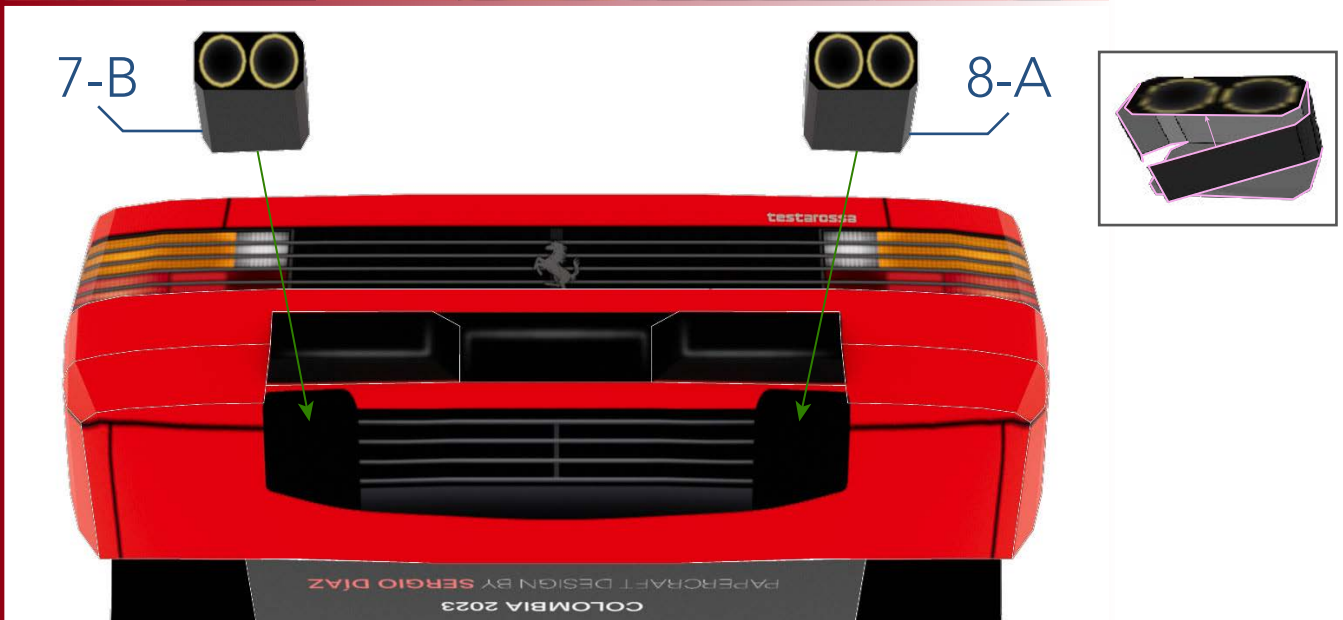
37



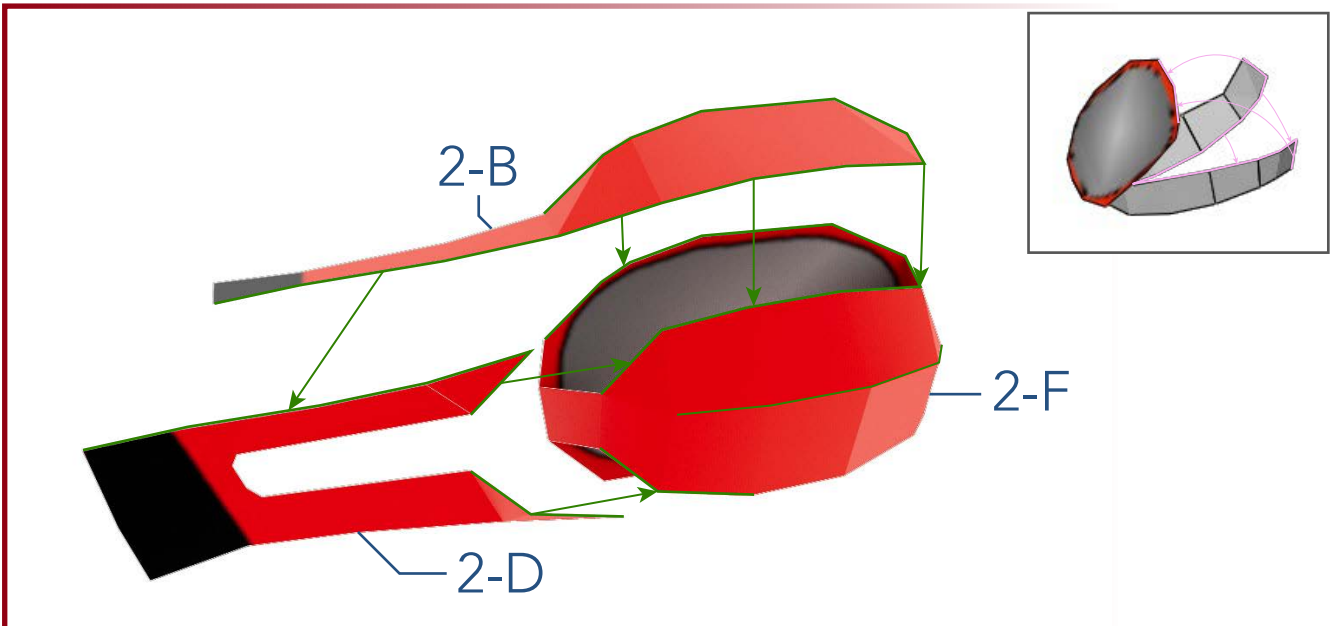
38



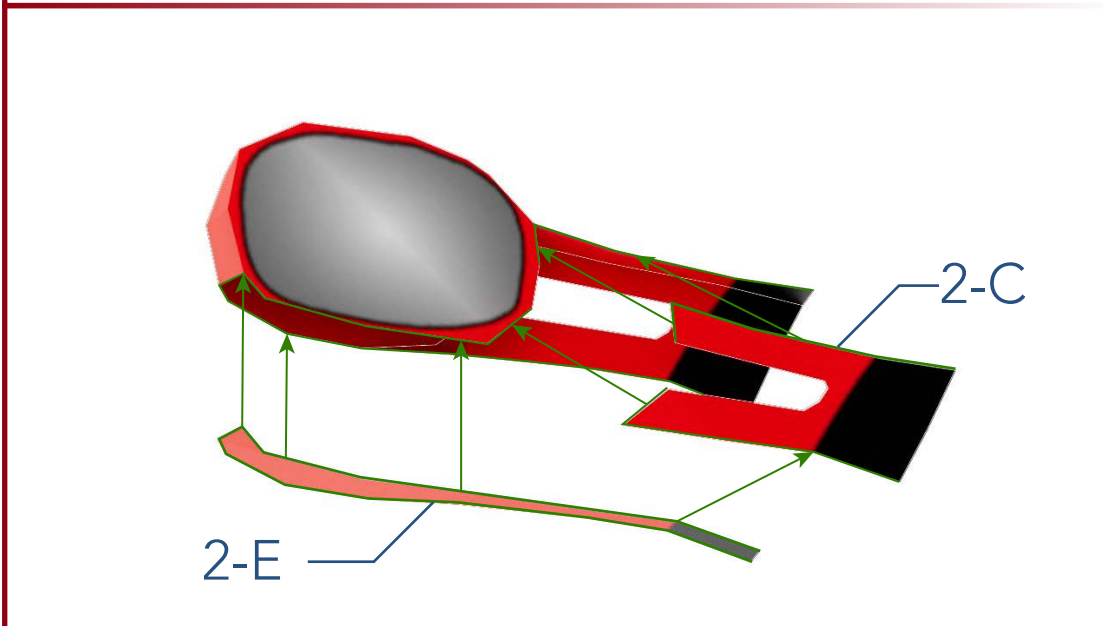
39



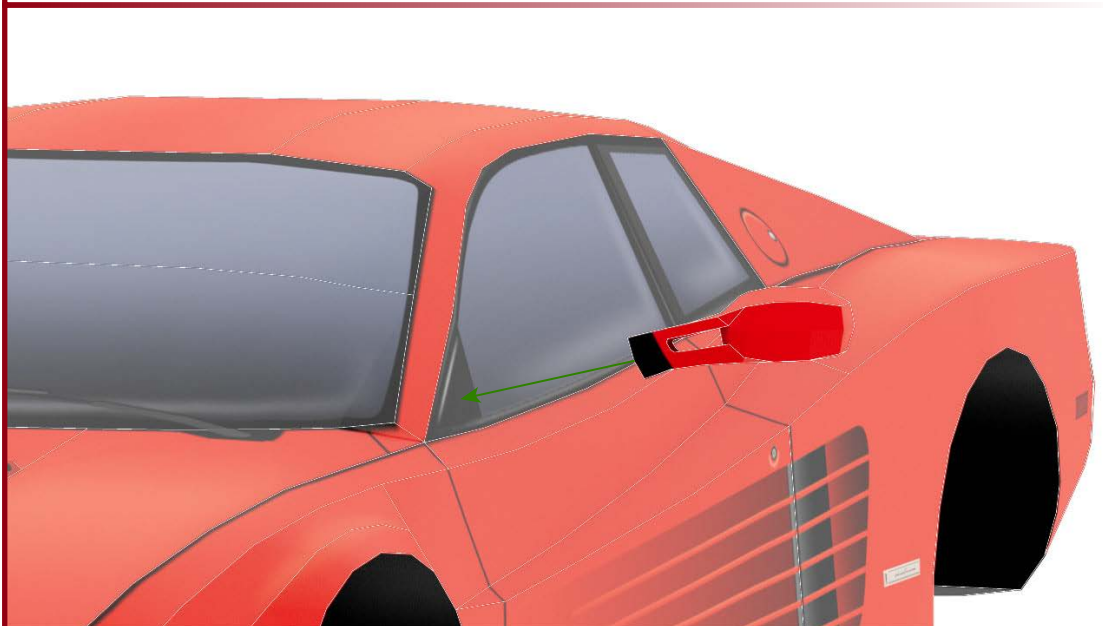
40



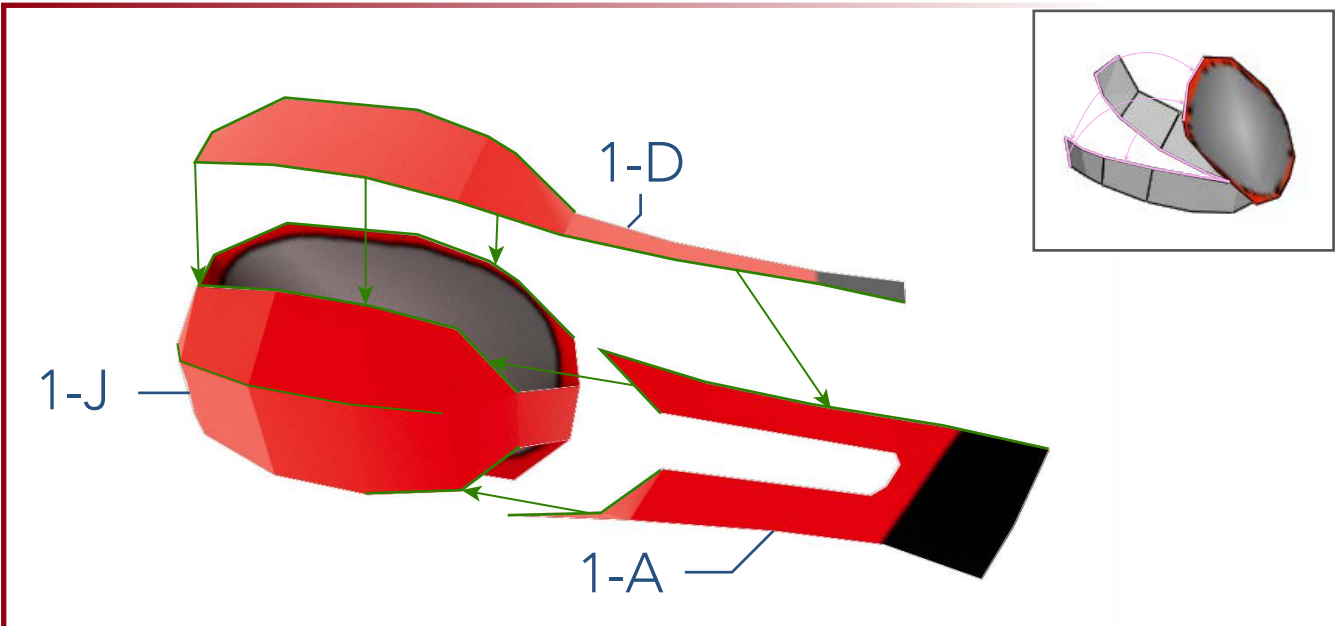
41



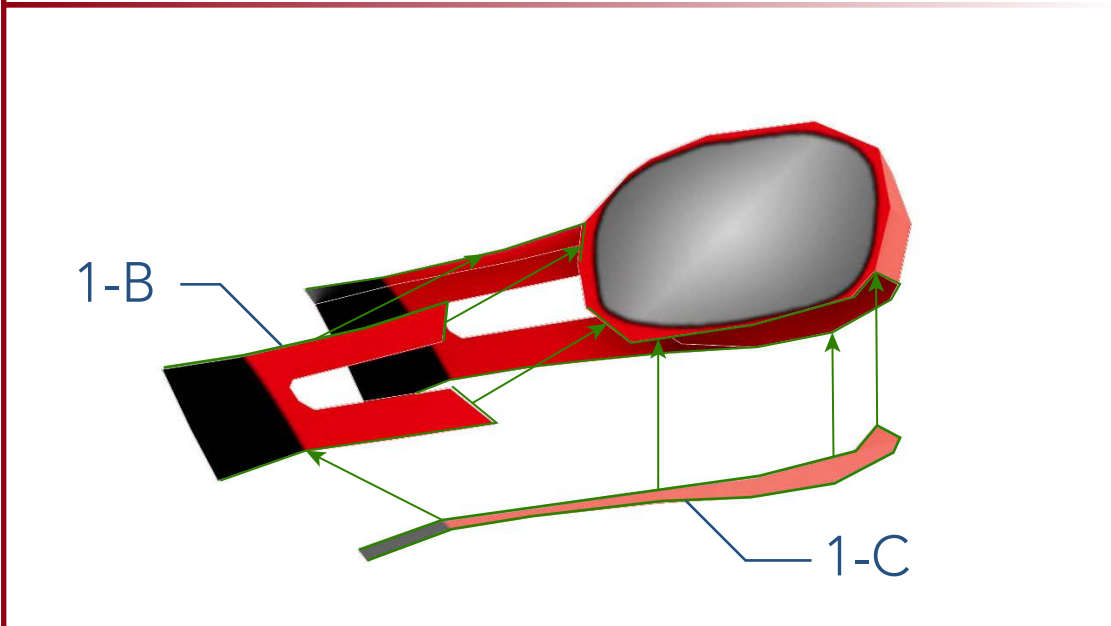
42



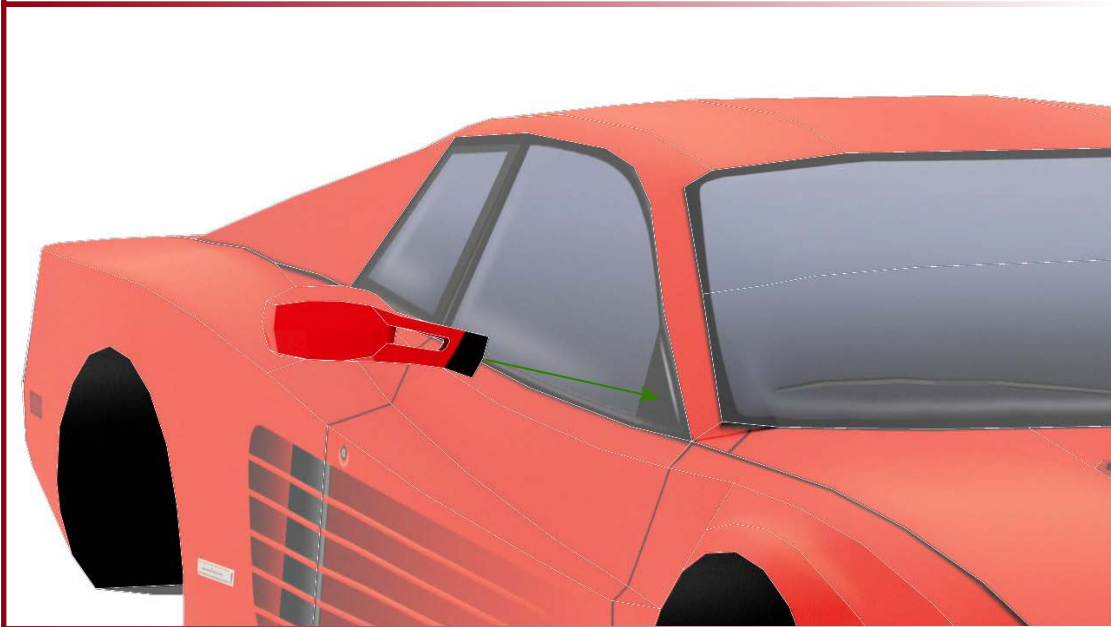
43



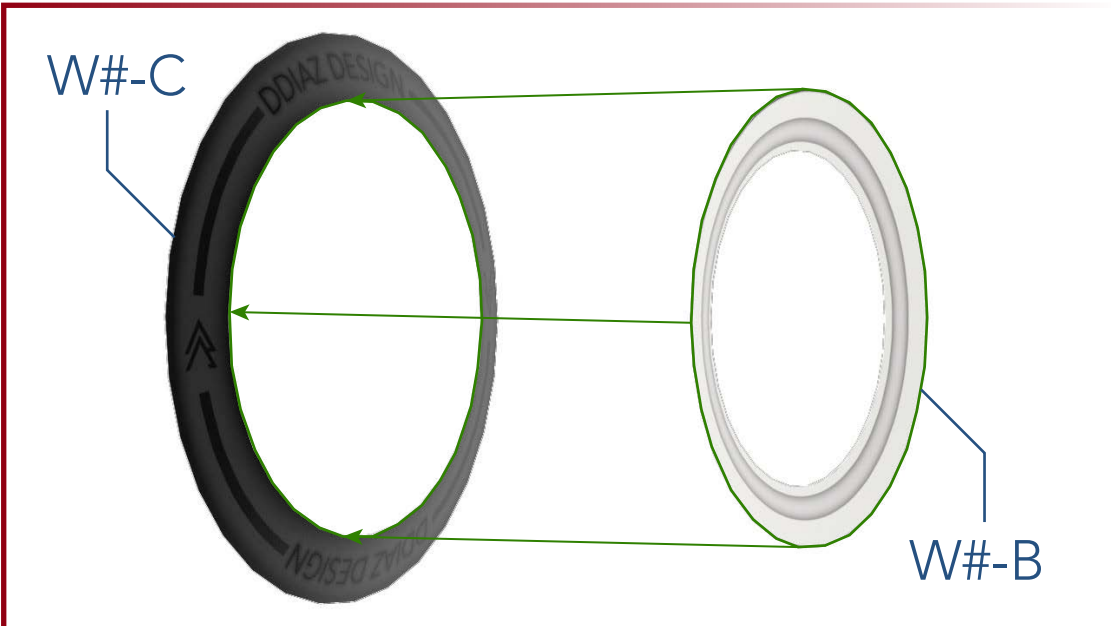
44



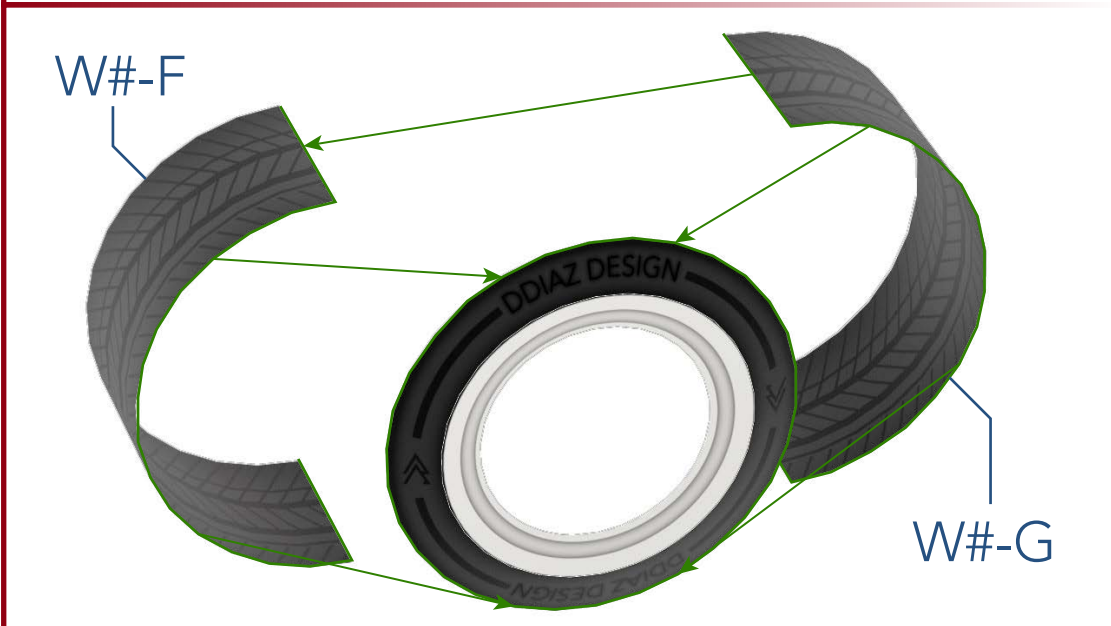
45



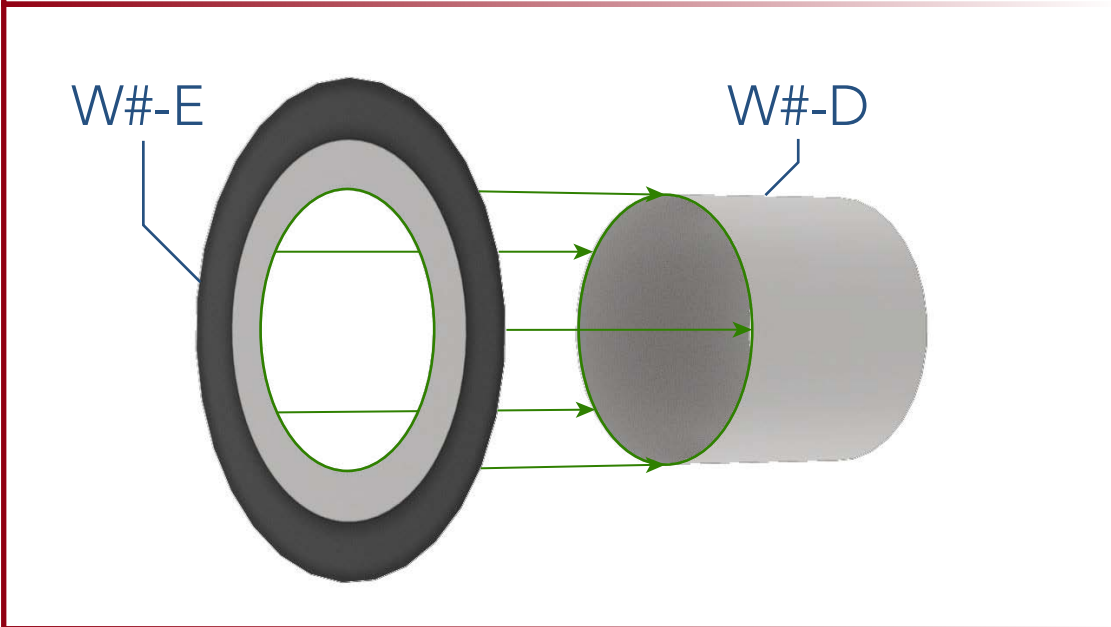
46



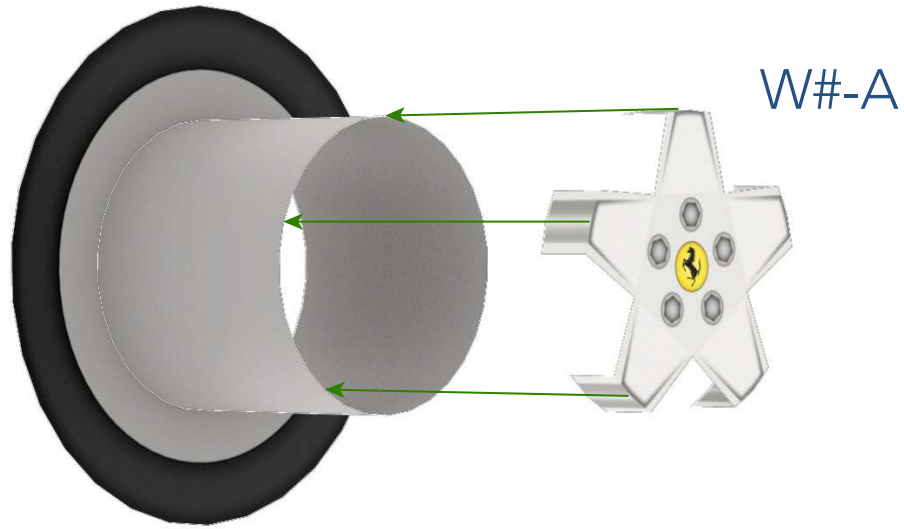
47



48



49



50

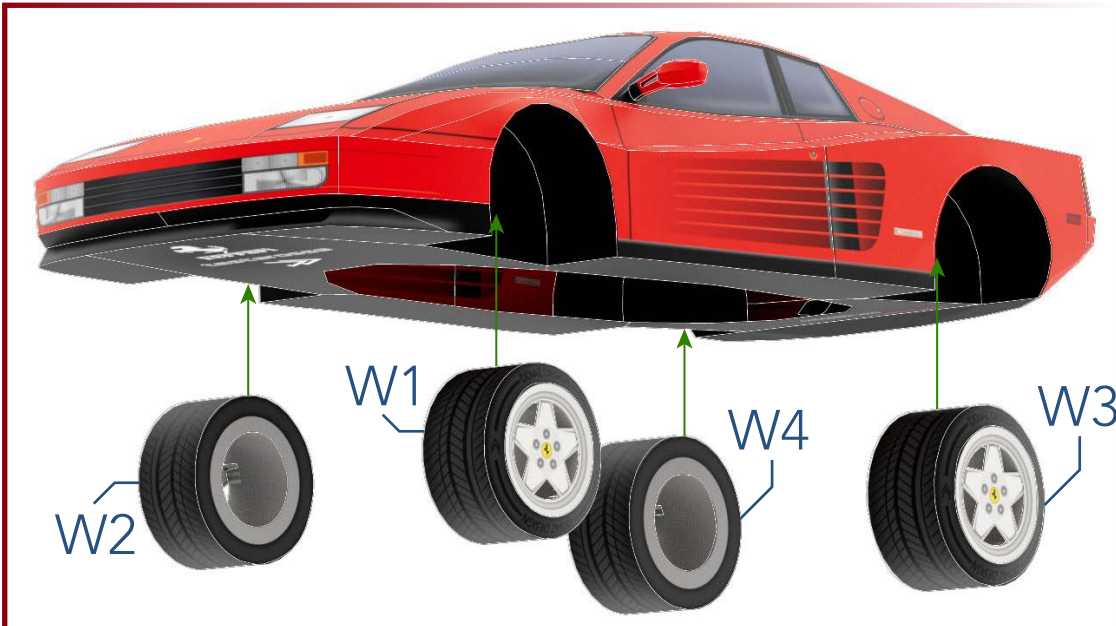


51

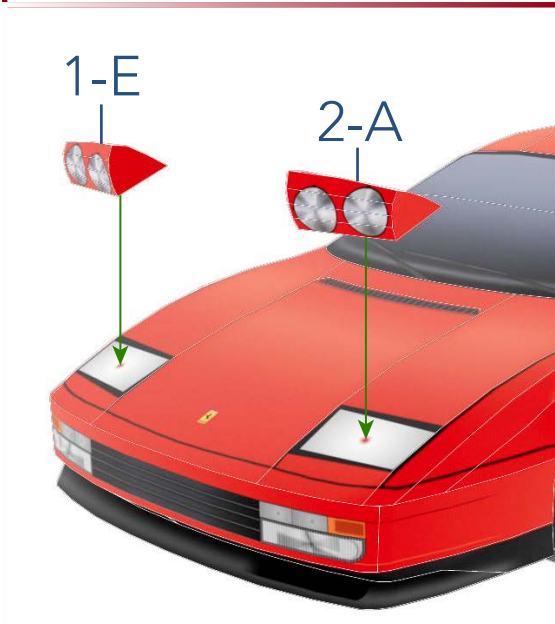
W#

W1	W2	W3	W4
W1-A	W2-A	W3-A	W4-A
W1-B	W2-B	W3-B	W4-B
W1-C	W2-C	W3-C	W4-C
W1-D	W2-D	W3-D	W4-D
W1-F	W2-F	W3-F	W4-F
W1-G	W2-G	W3-G	W4-G

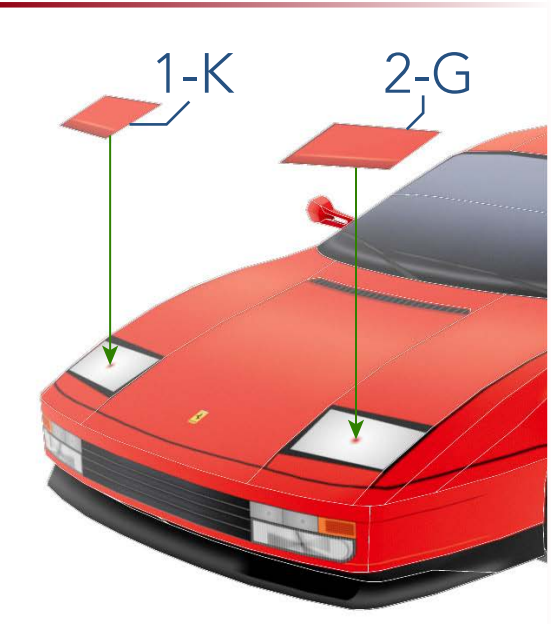
52



A



B



Thanks for crafting

For more, visit my web site

<https://sergiodanidiaz.wixsite.com/ddiaz-paper-design/>

