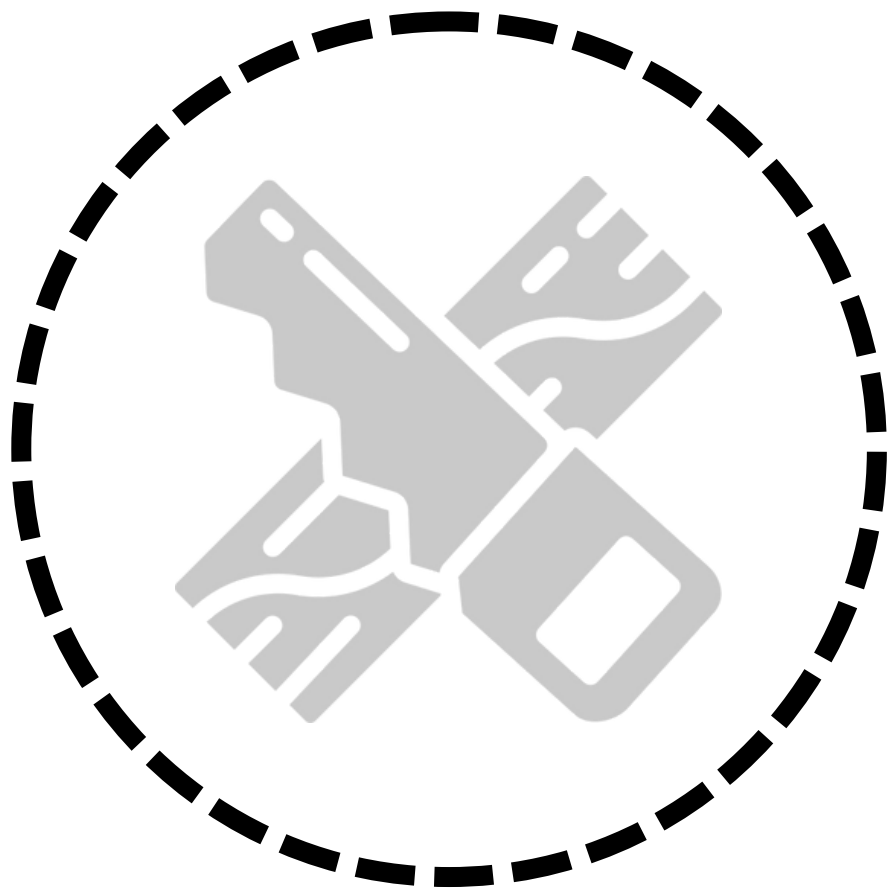


Foot Painting Accessory

Instructions and Assembly



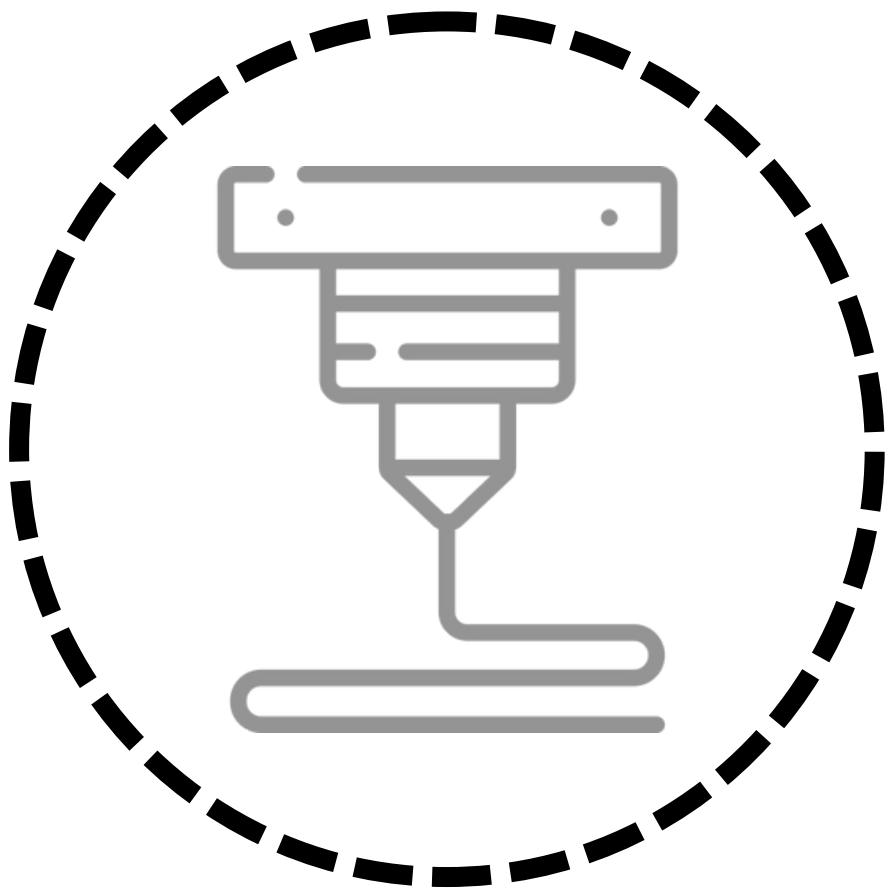
Required Skills



Woodworking



Welding



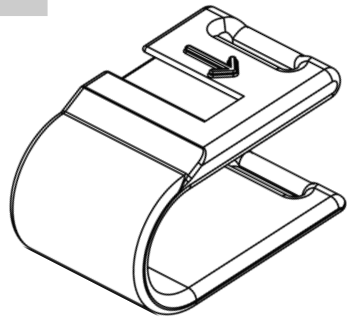
3D Printing

Component	Info	Amount
1. Foot Accessory	TPU 3D Print STL File	1
2. Velcro Strap	25MM/170MM	1
3. Paintbrush Holder	PETG 3D Print STL File	1
4. Paintbrush Holder Screw	M6/25MM	1
5. Paintbrush Holder Nut	M6	1
6. Screw head handle	PETG 3D Print STL File	1

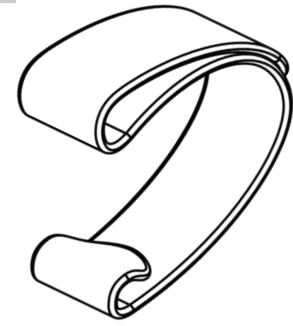
Component	Info	Amount
7. Metal Profile #1	30mm/30mm - 650MM	2
8. Metal Profile #2	30mm/30mm - 400MM	2
9. Wood Board	720mm/540mm	1
10. Paint Palette	PETG 3D Print STL File	1
11. Easel Handle	PETG 3D Print STL File	1
12. Handle Fastener	PETG 3D Print STL File	2
13. Easel Screw	M4/50	8
14. Easel Nut	M4	4
15. Silicone Rubber Band	2mm/30mm/400mm	2
16. Easel Profile Seal Plugs	PETG 3D Print STL File	4
17. Magnet	8mm/2mm	8

Bill of Materials

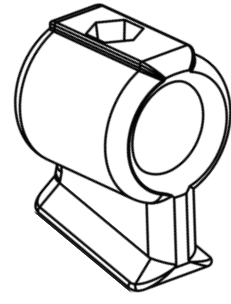
1



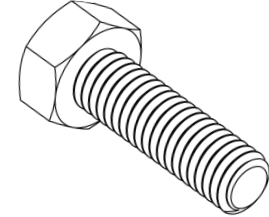
2



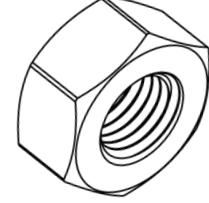
3



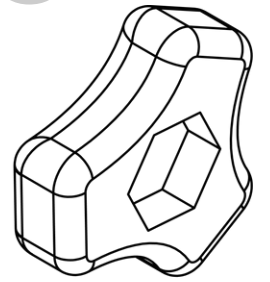
4



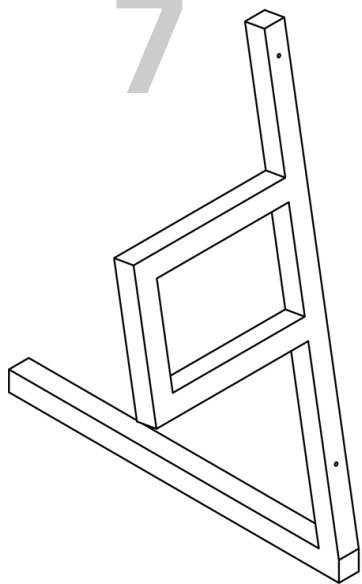
5



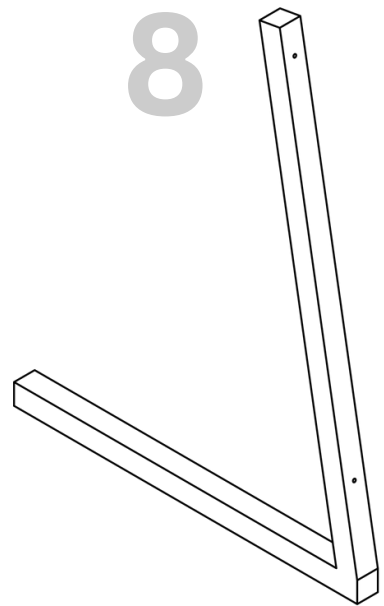
6



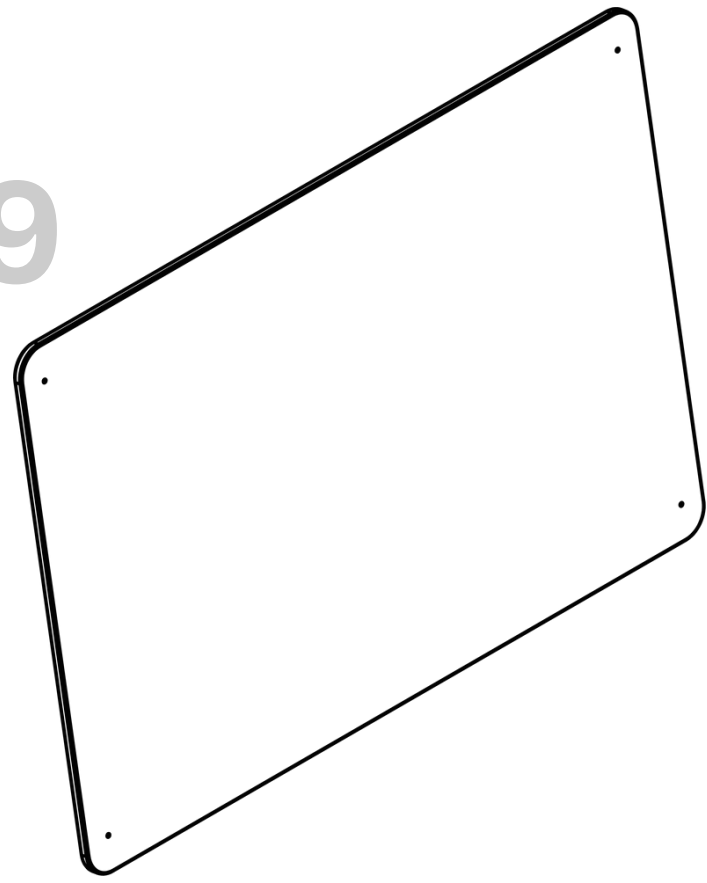
7



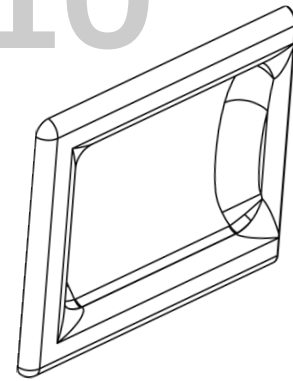
8



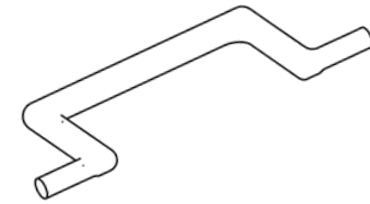
9



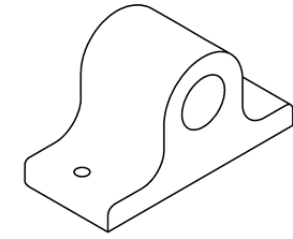
10



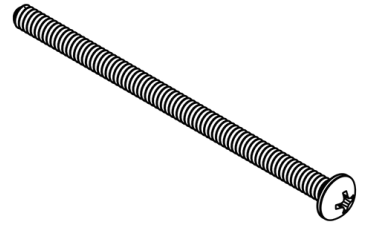
11



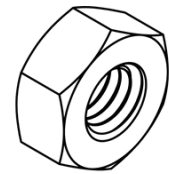
12



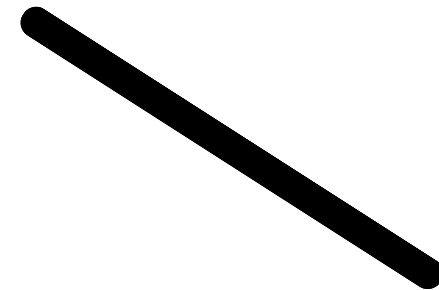
13



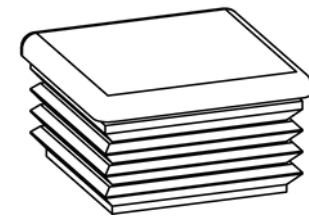
14



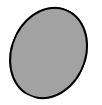
15



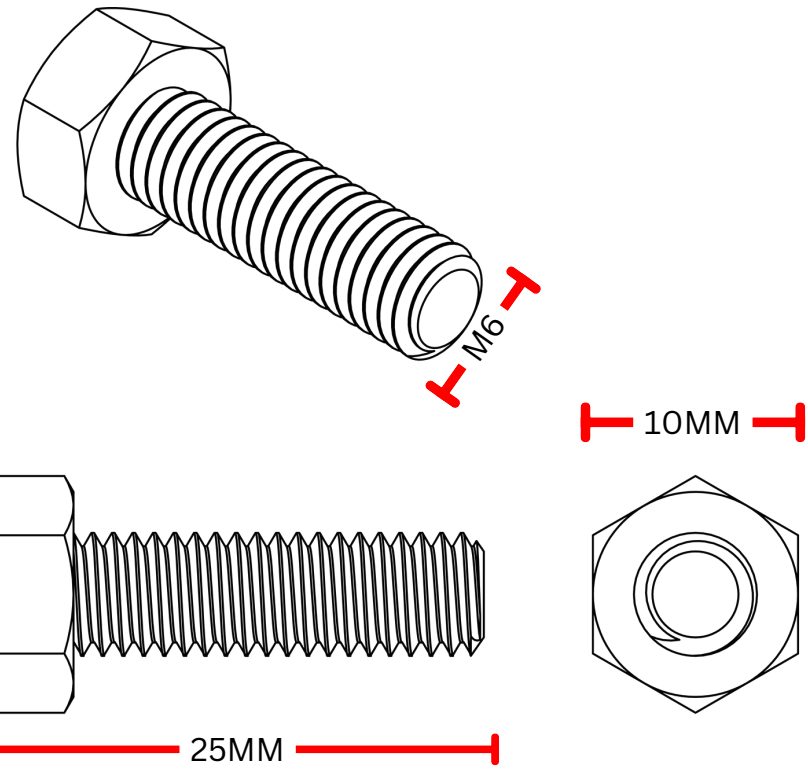
16



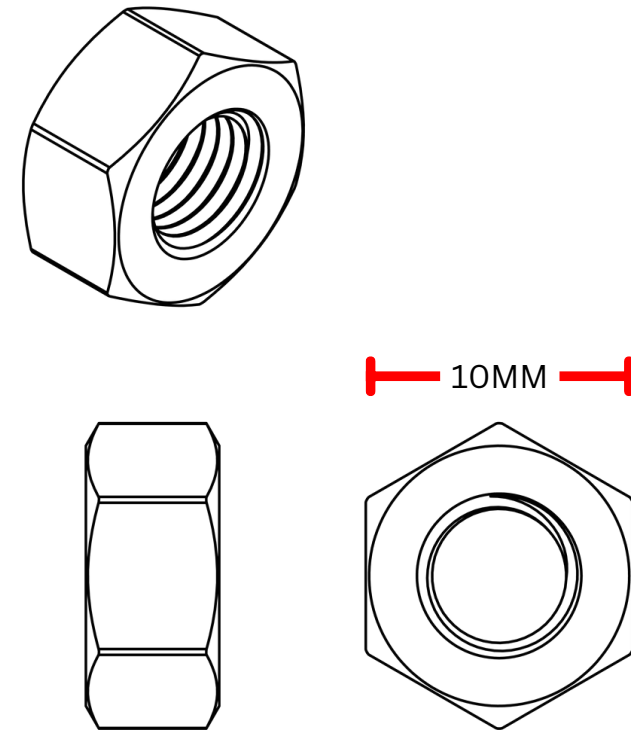
17



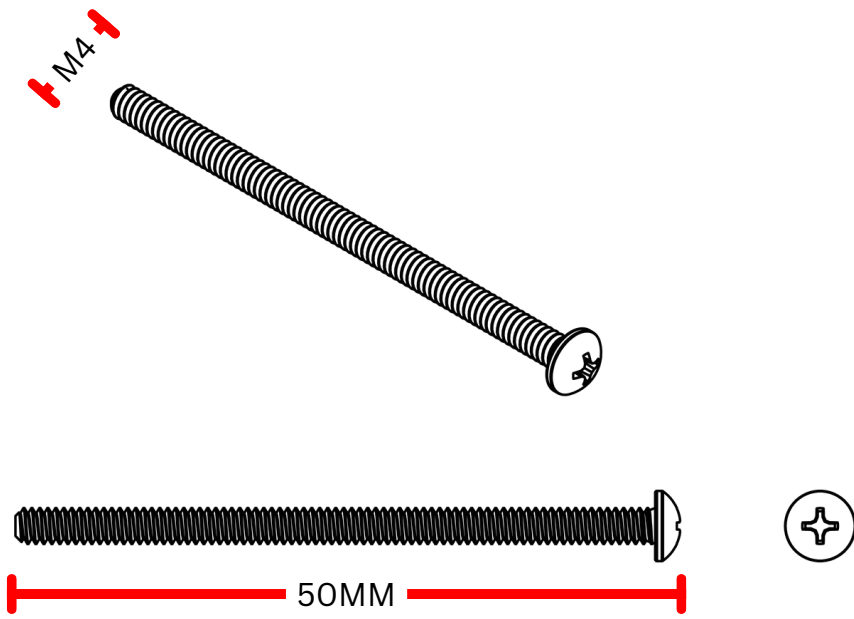
4



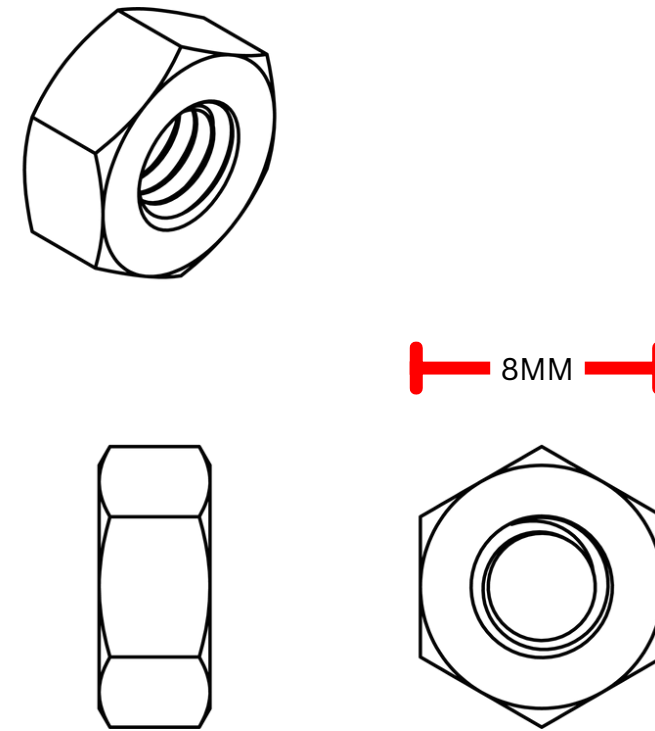
5



13



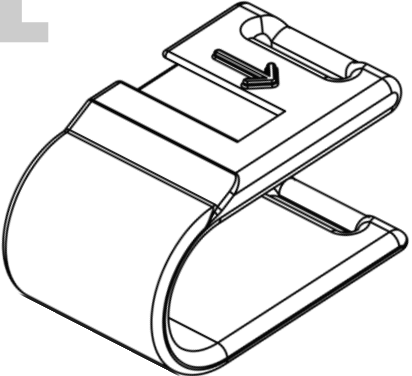
14



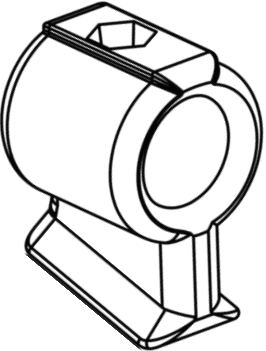


Printing Parts

1



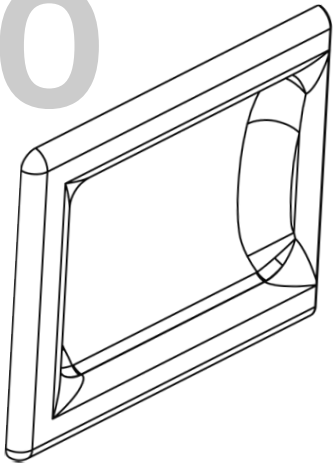
3



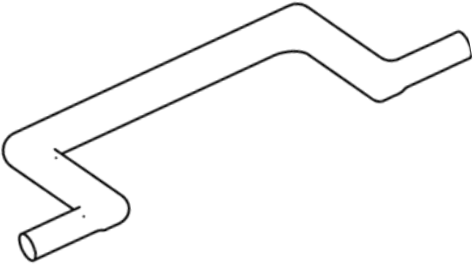
6



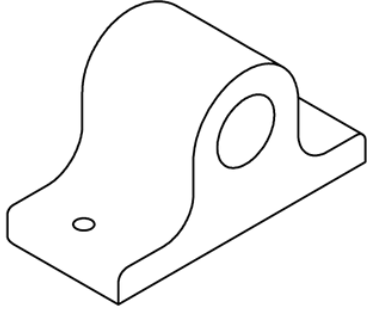
10



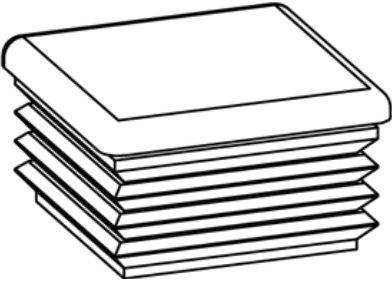
11



12 x2



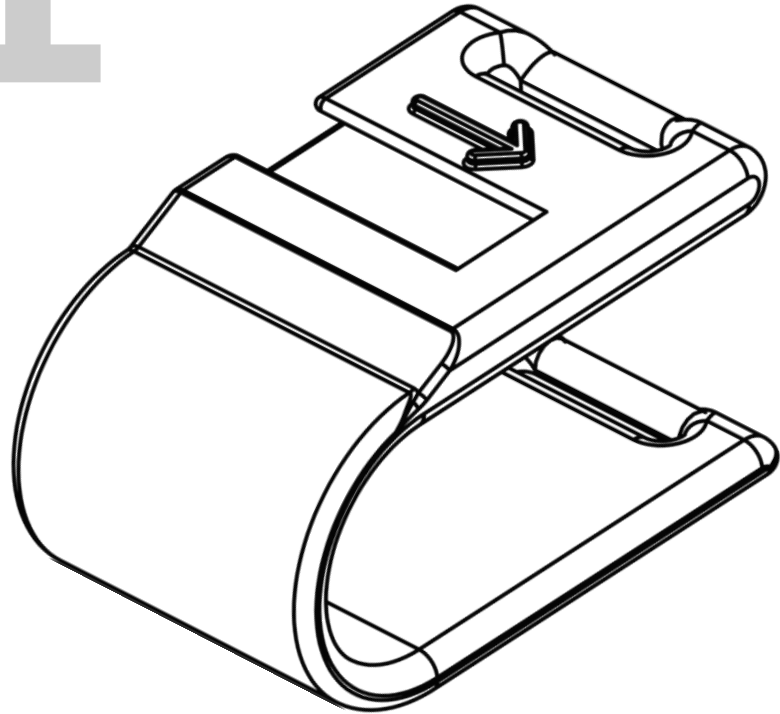
16 x4



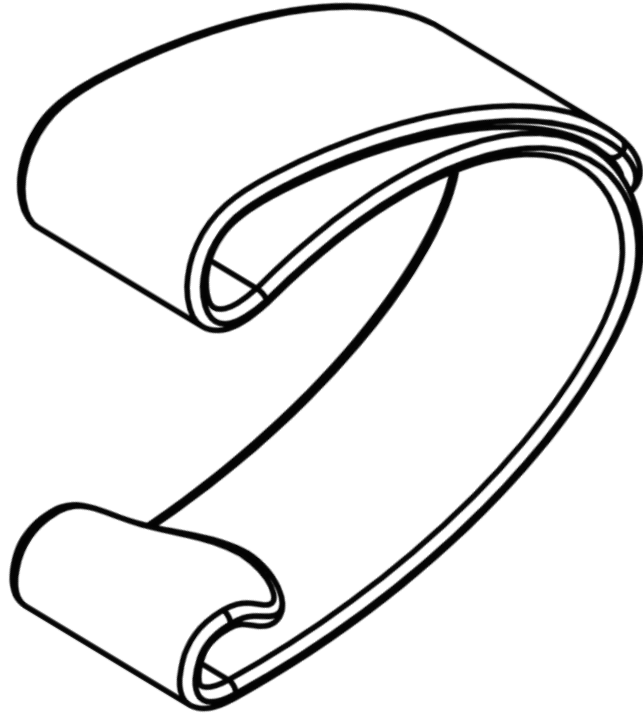
2

Foot Accessory

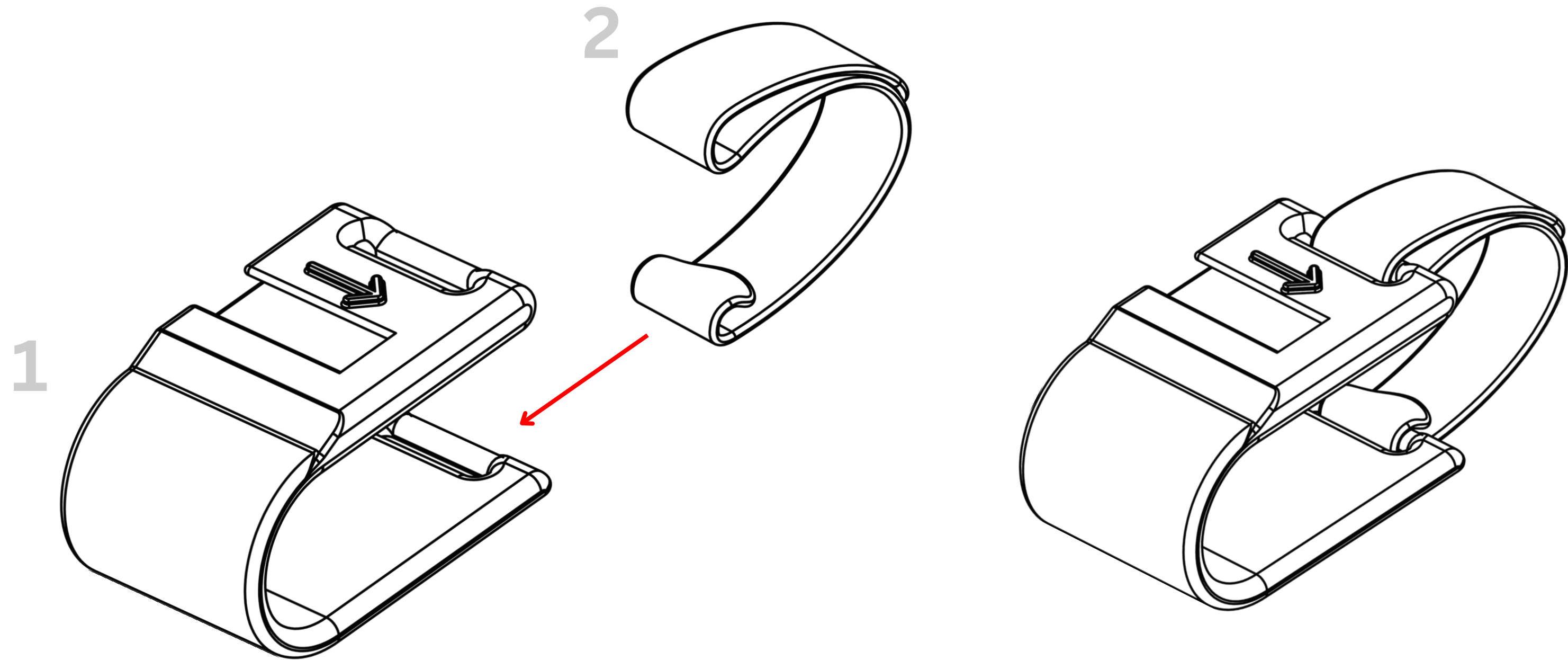
1



2

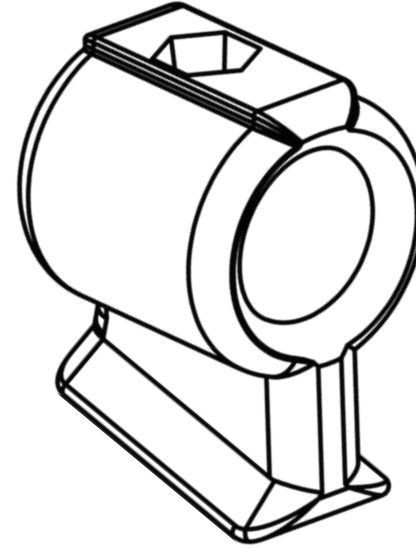


Sewing the Strap

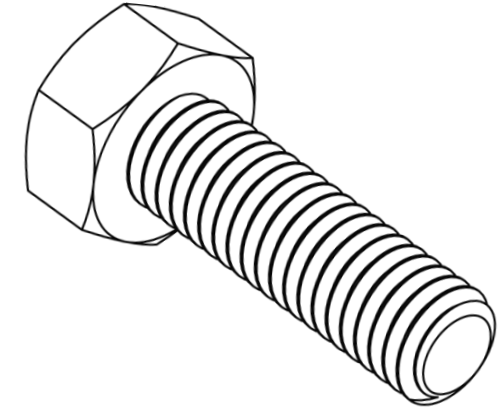


Paintbrush Holder

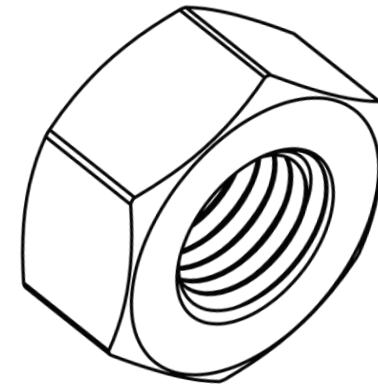
3



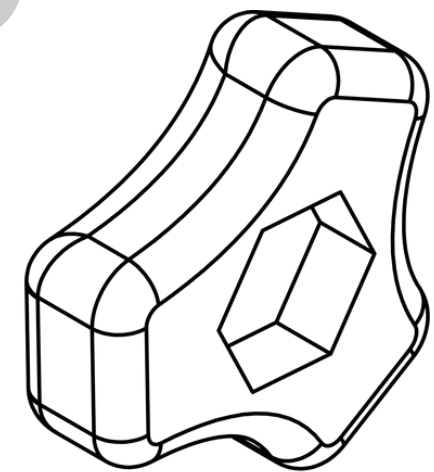
4



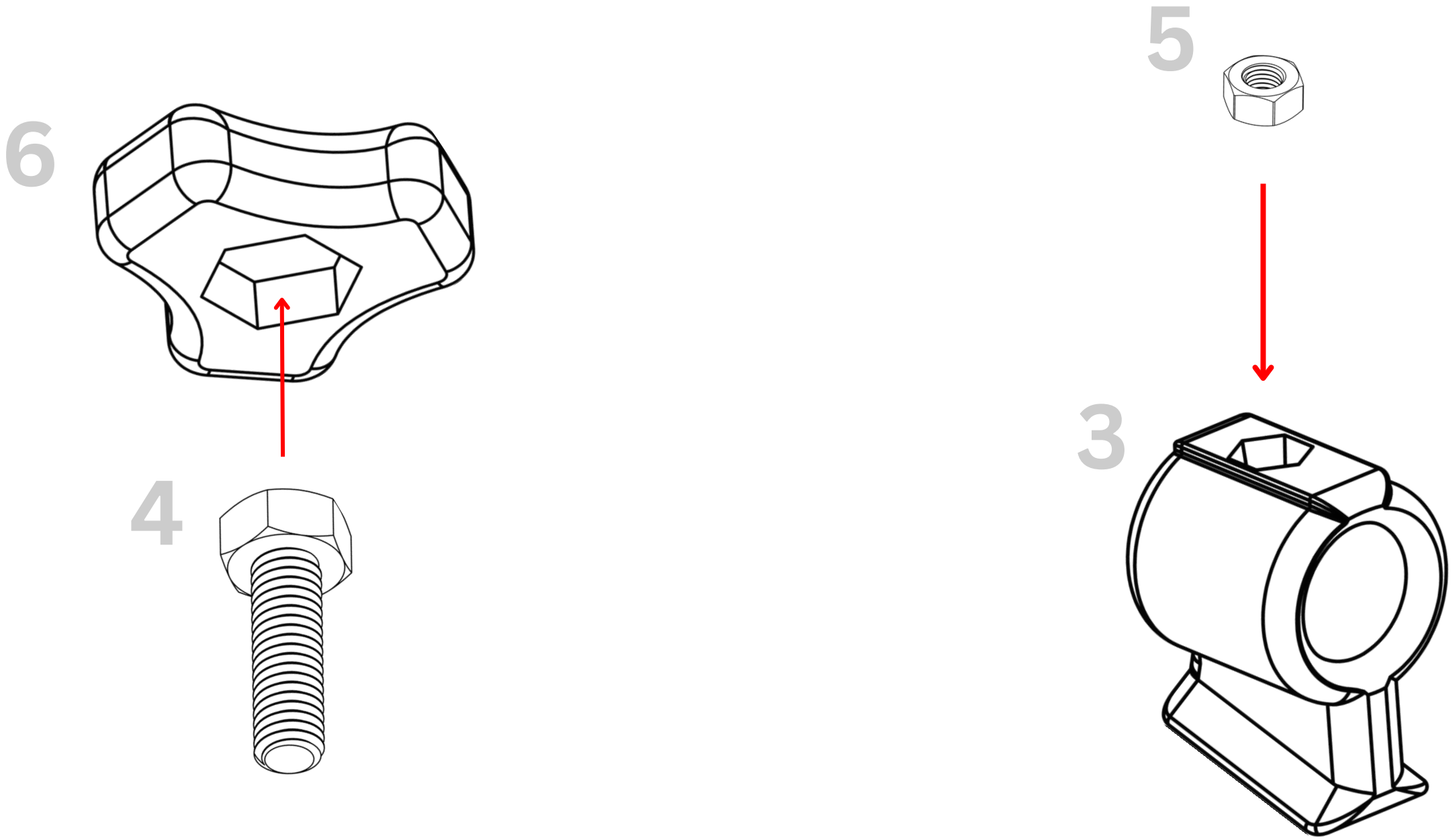
5



6

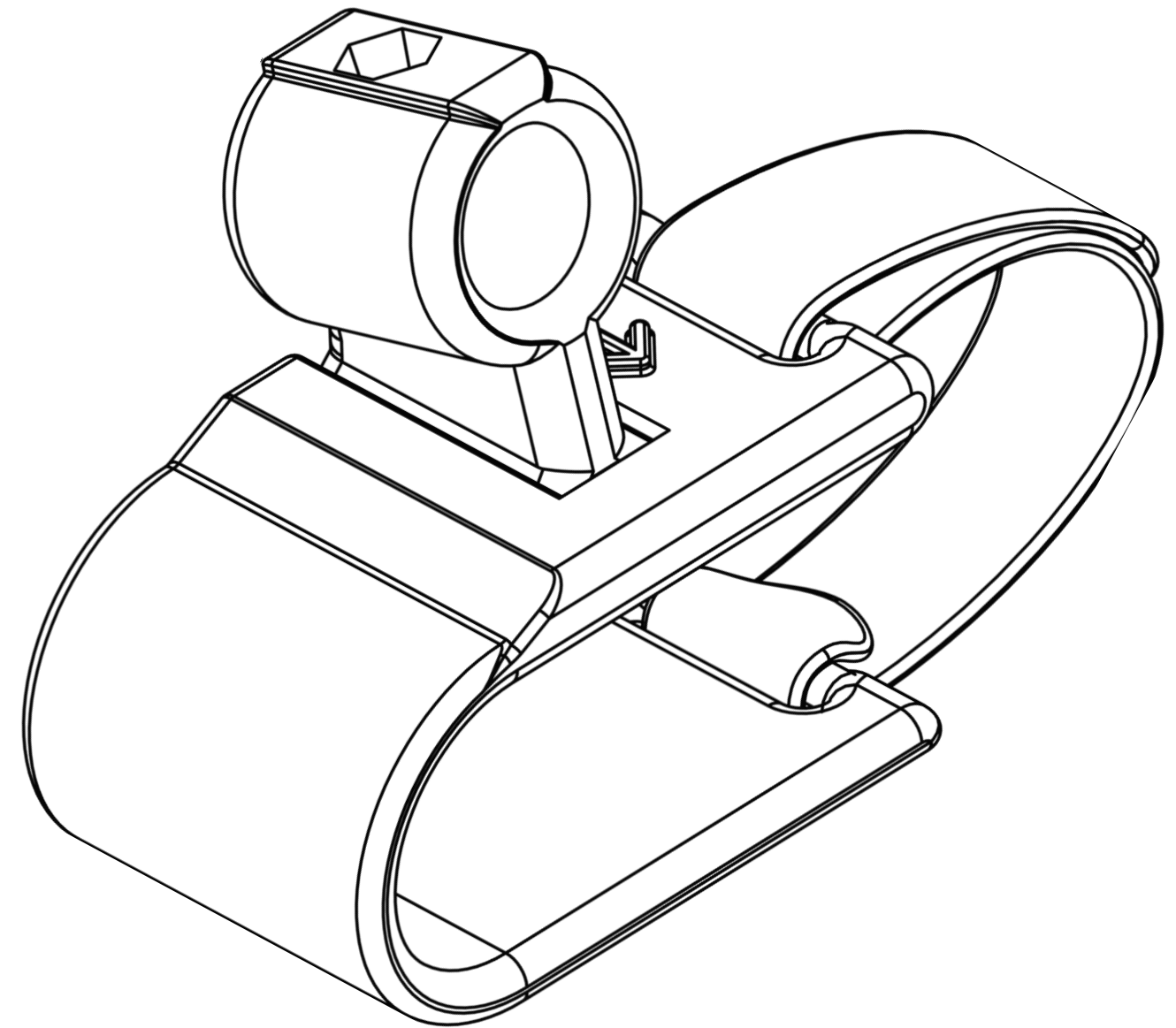
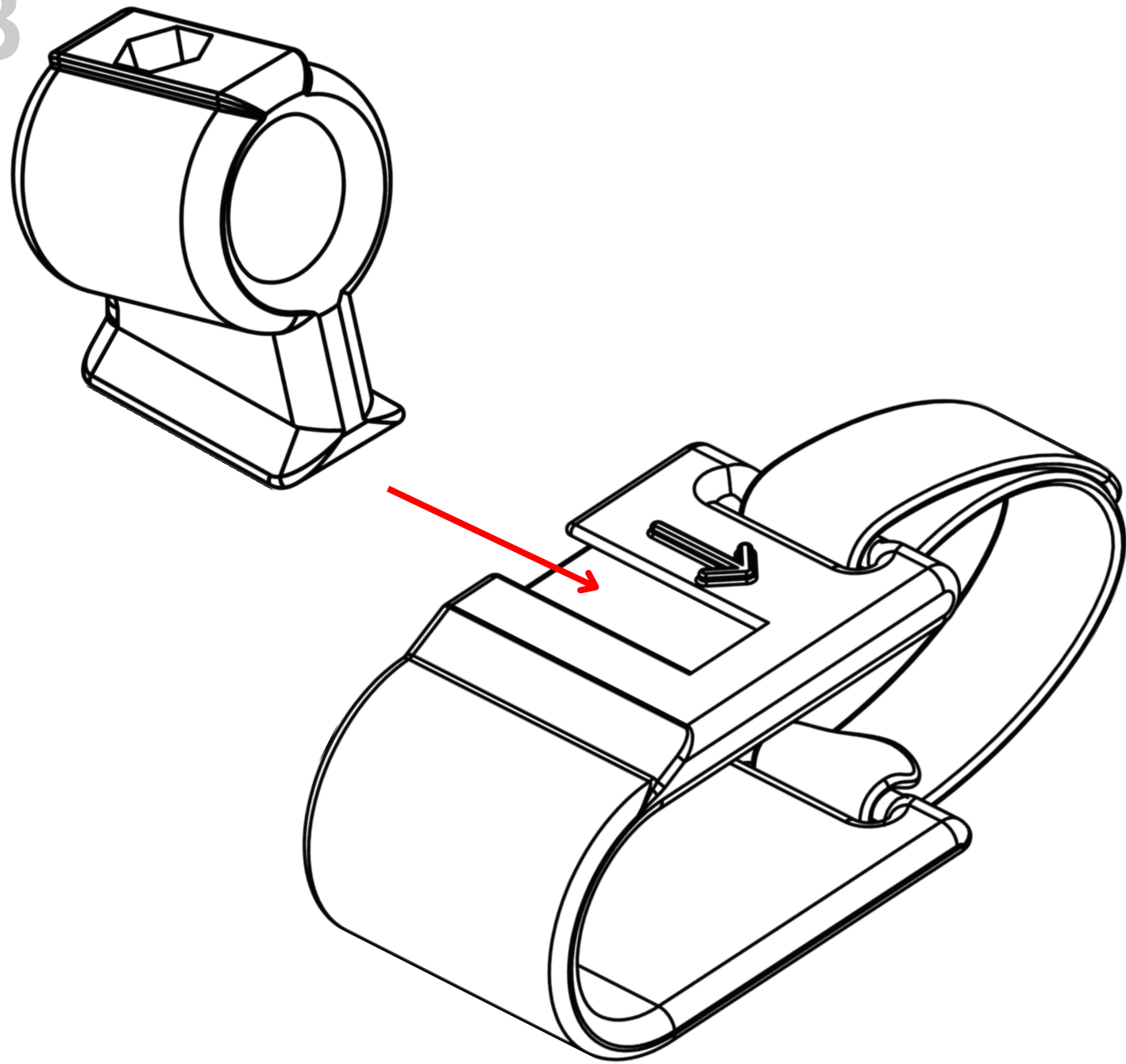


3.a Inserting the Nut and the Screw

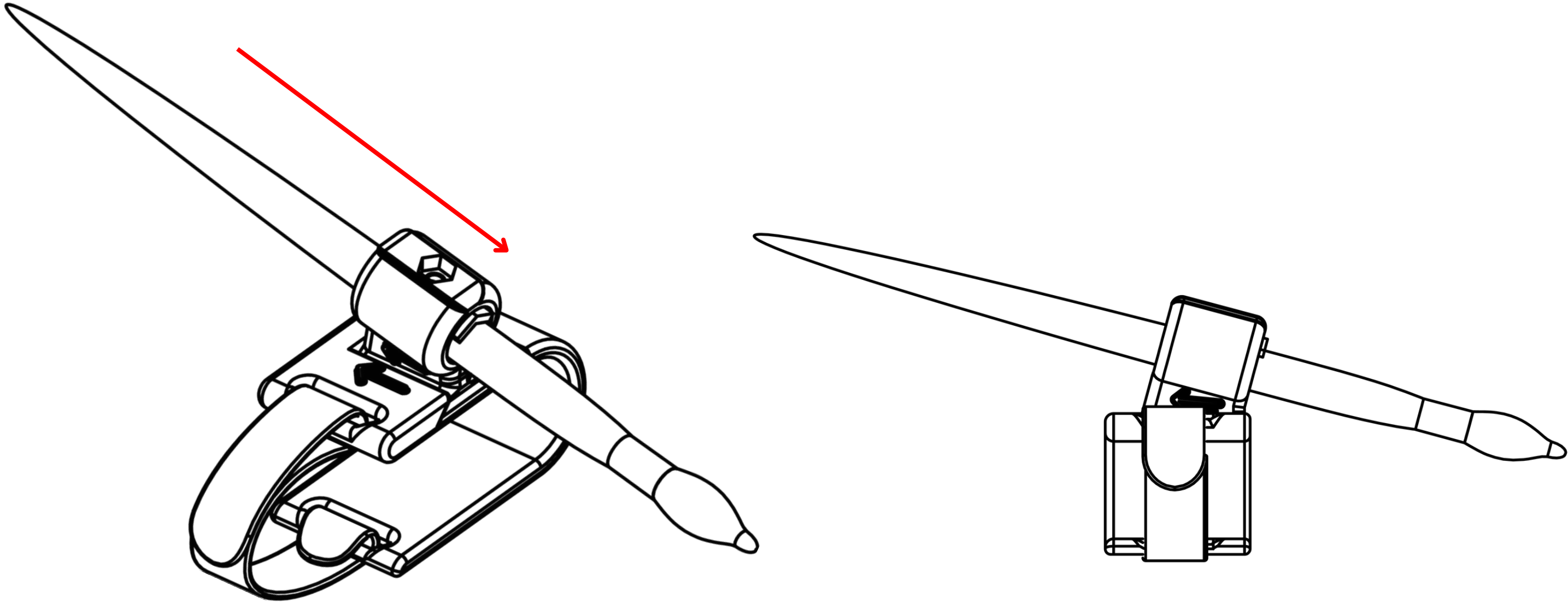


3.b Inserting the Paintbrush Holder into the Accessory's Rail

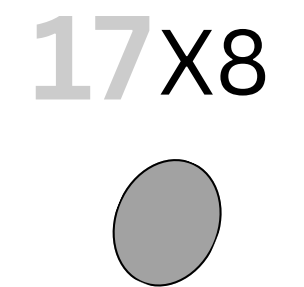
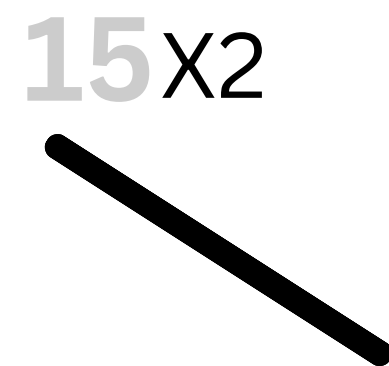
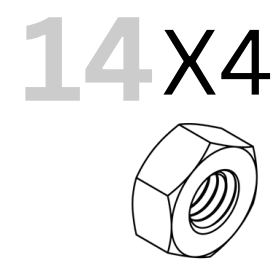
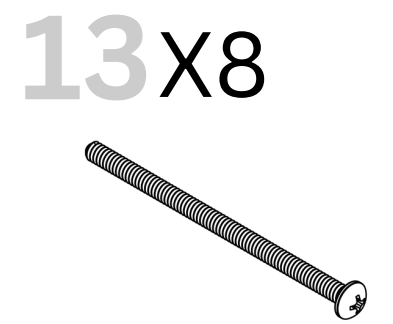
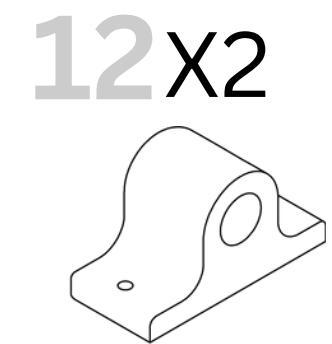
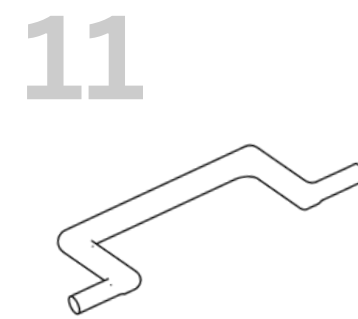
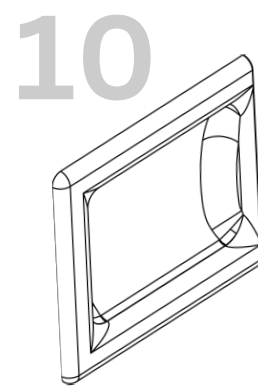
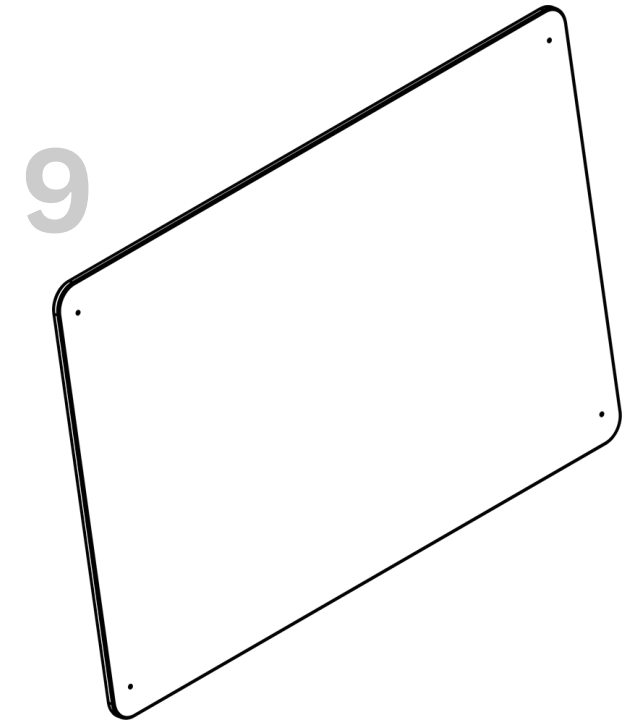
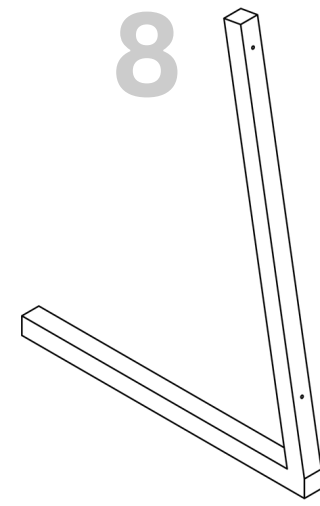
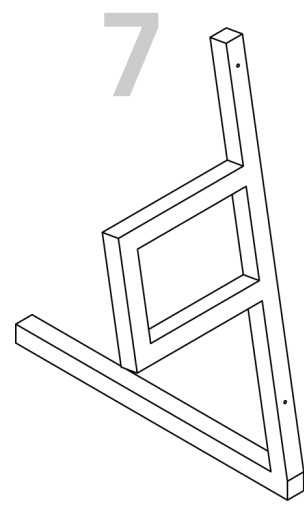
3



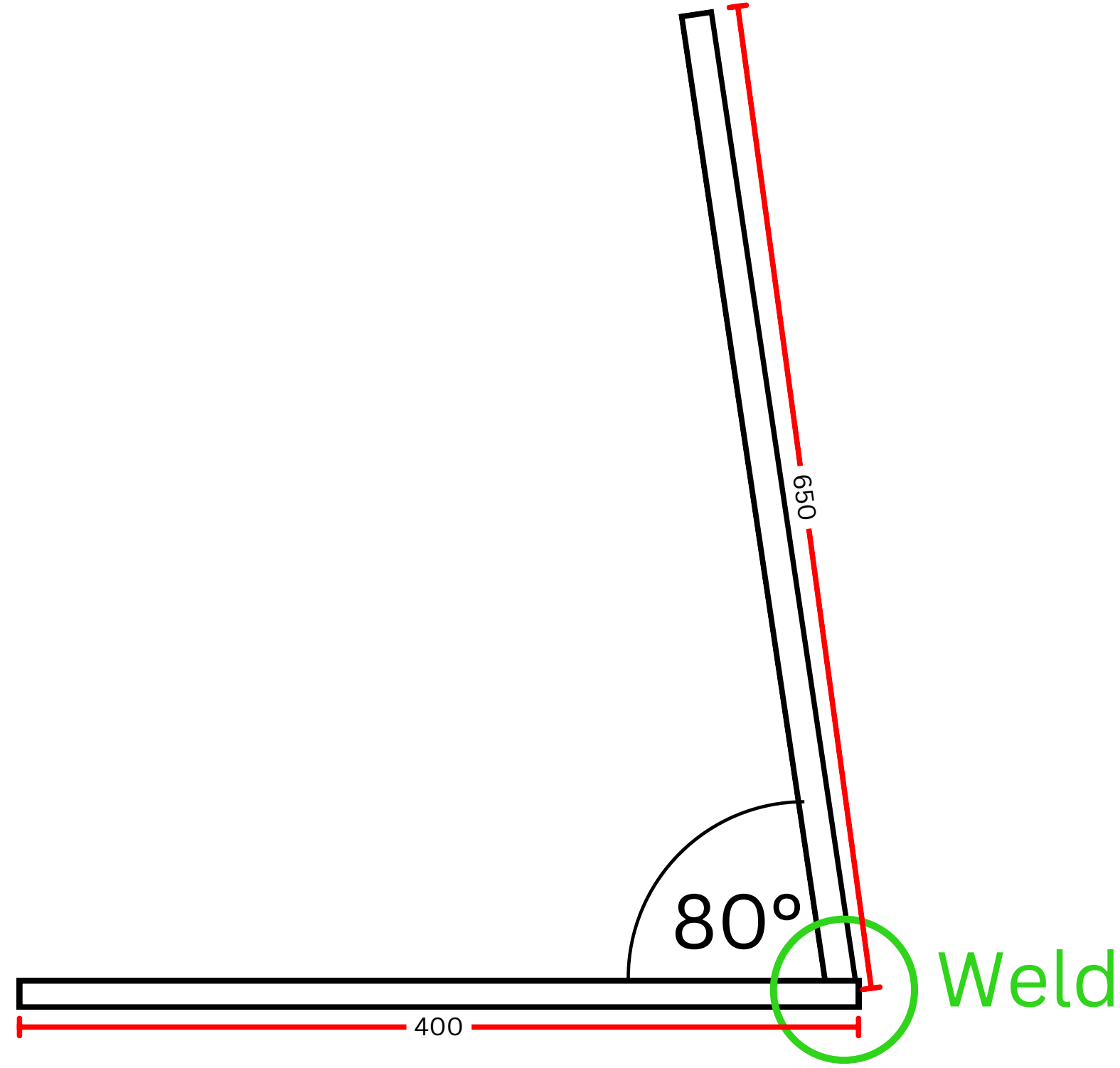
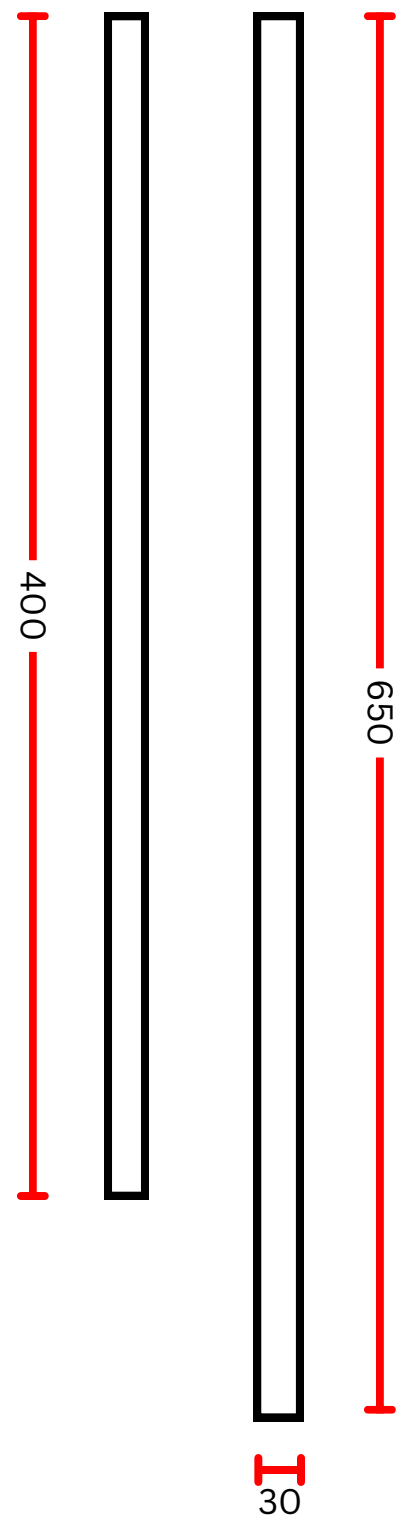
3.c Inserting a Paintbrush into the Holder



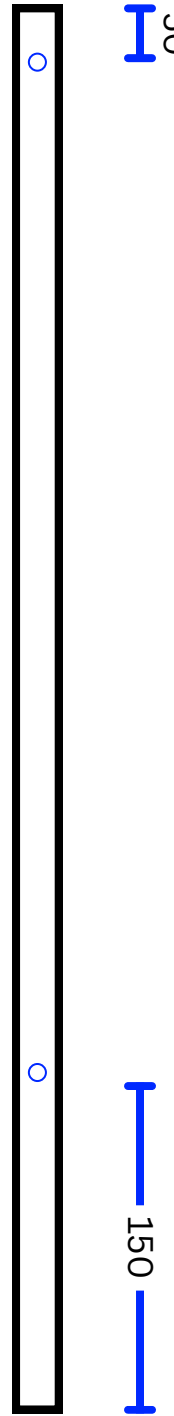
4 Easel



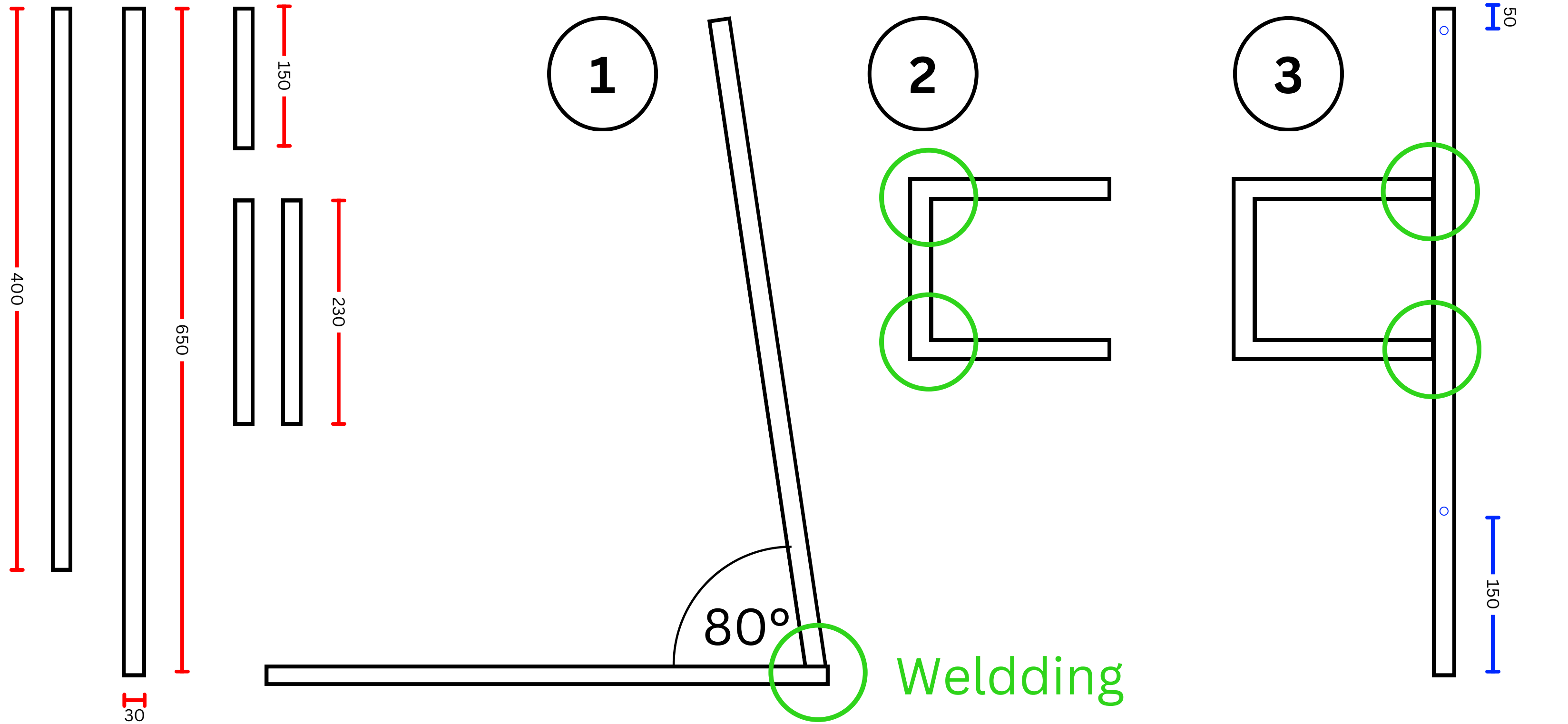
4.a Welding Metal Profile #1



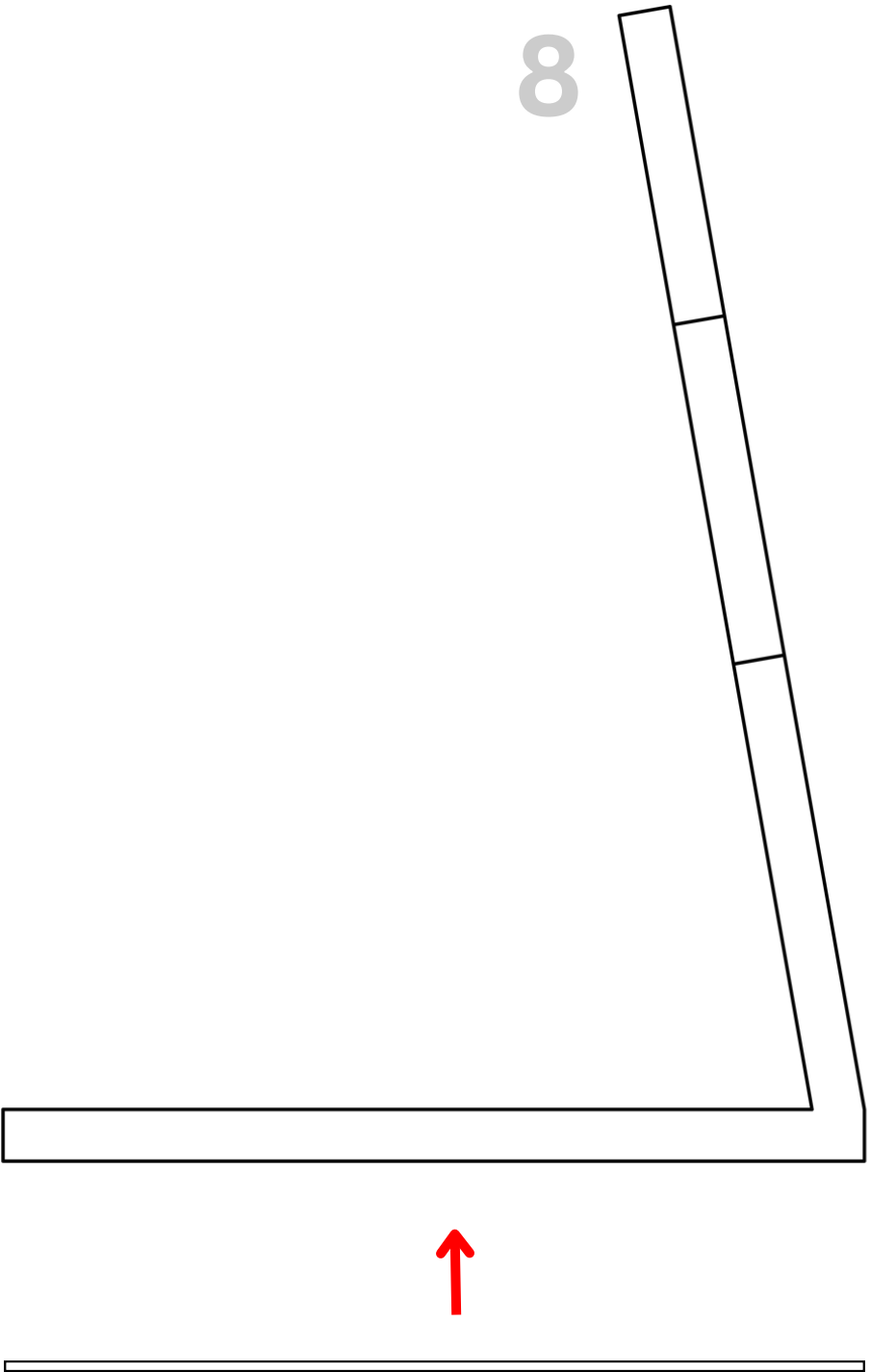
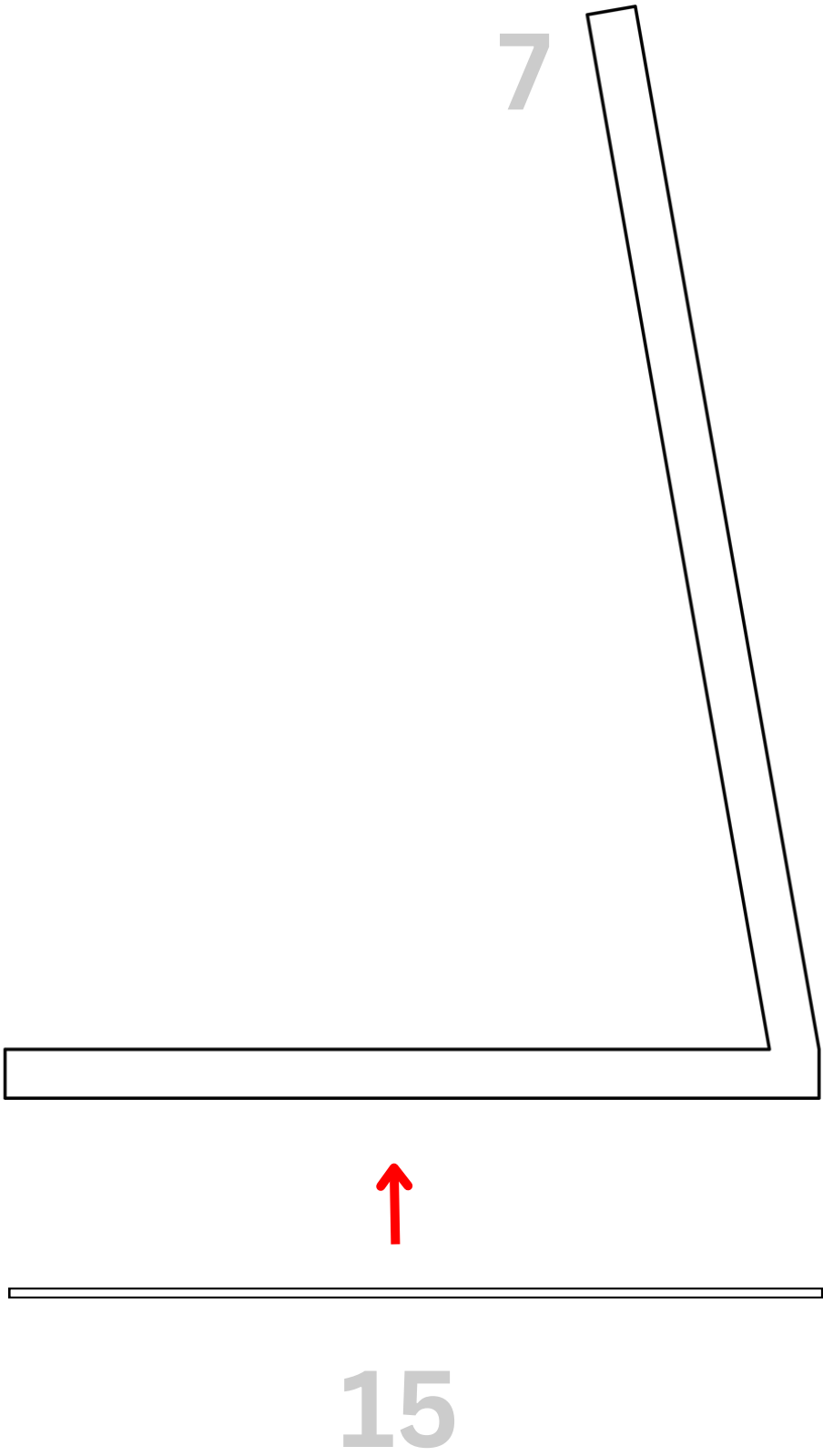
Drilling



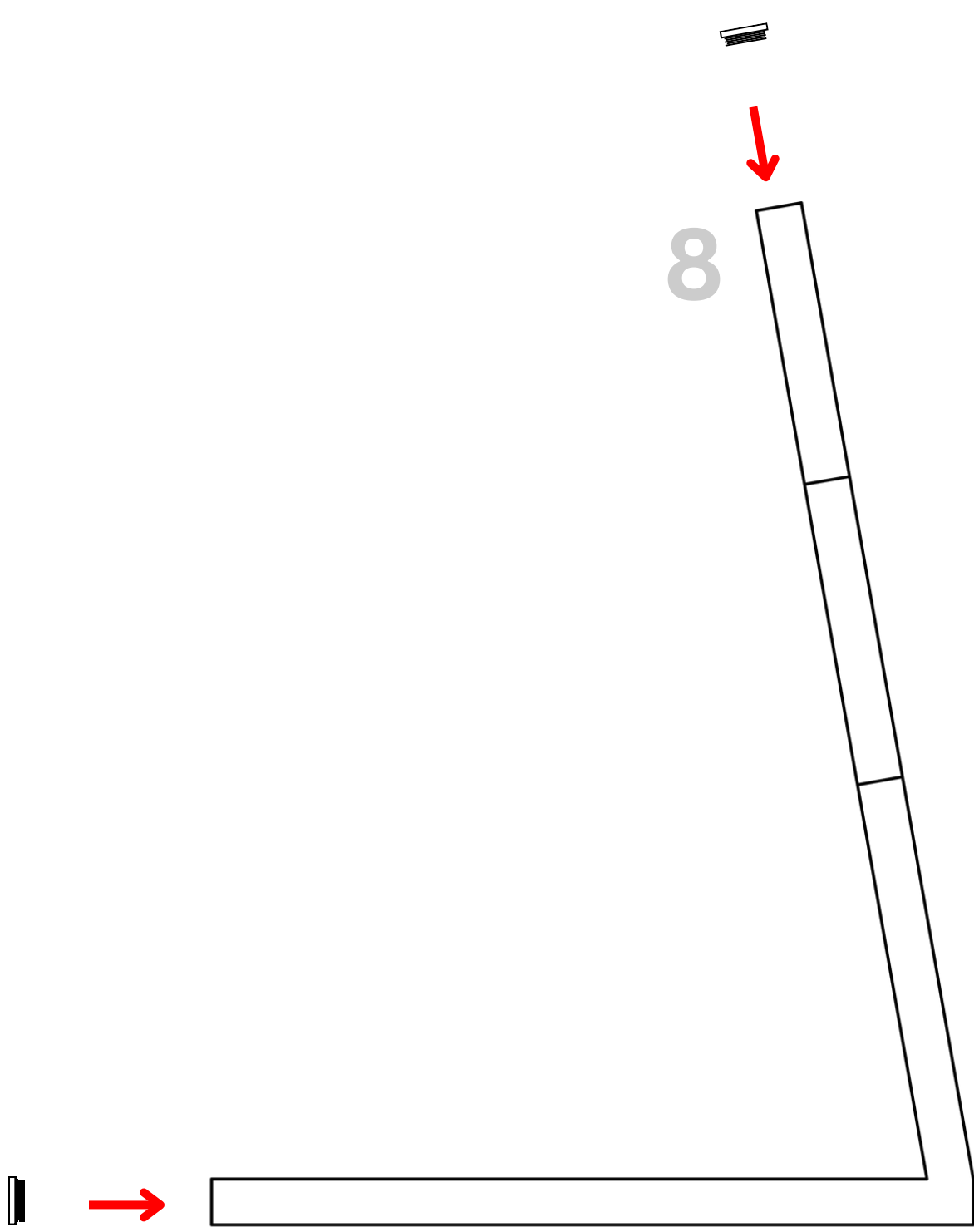
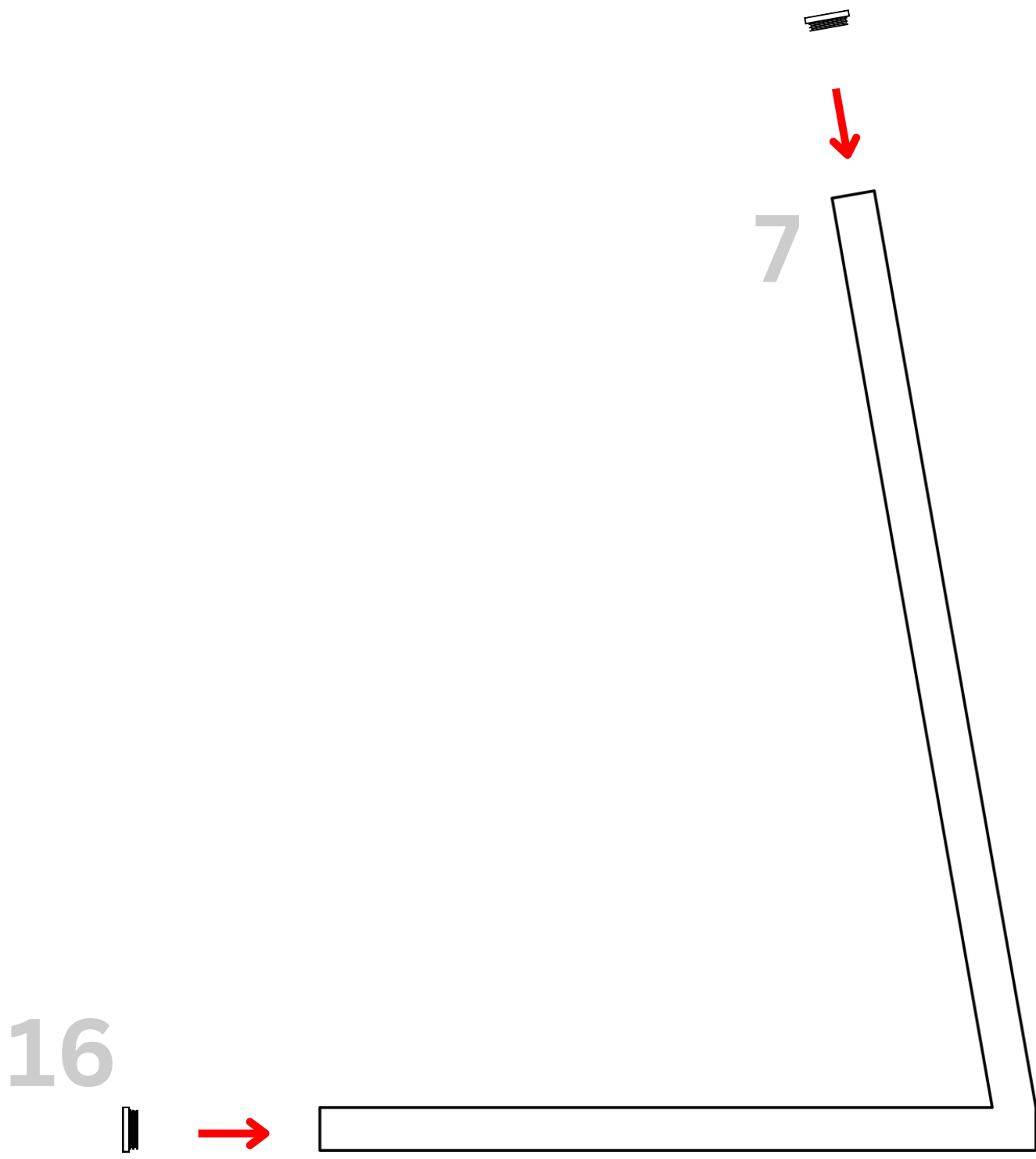
4.b Welding Metal Profile #2



4.c Gluing the Silicone Rubber Bands to the Metal Profiles



4.d Inserting the Seal plugs into the Metal Profiles ends

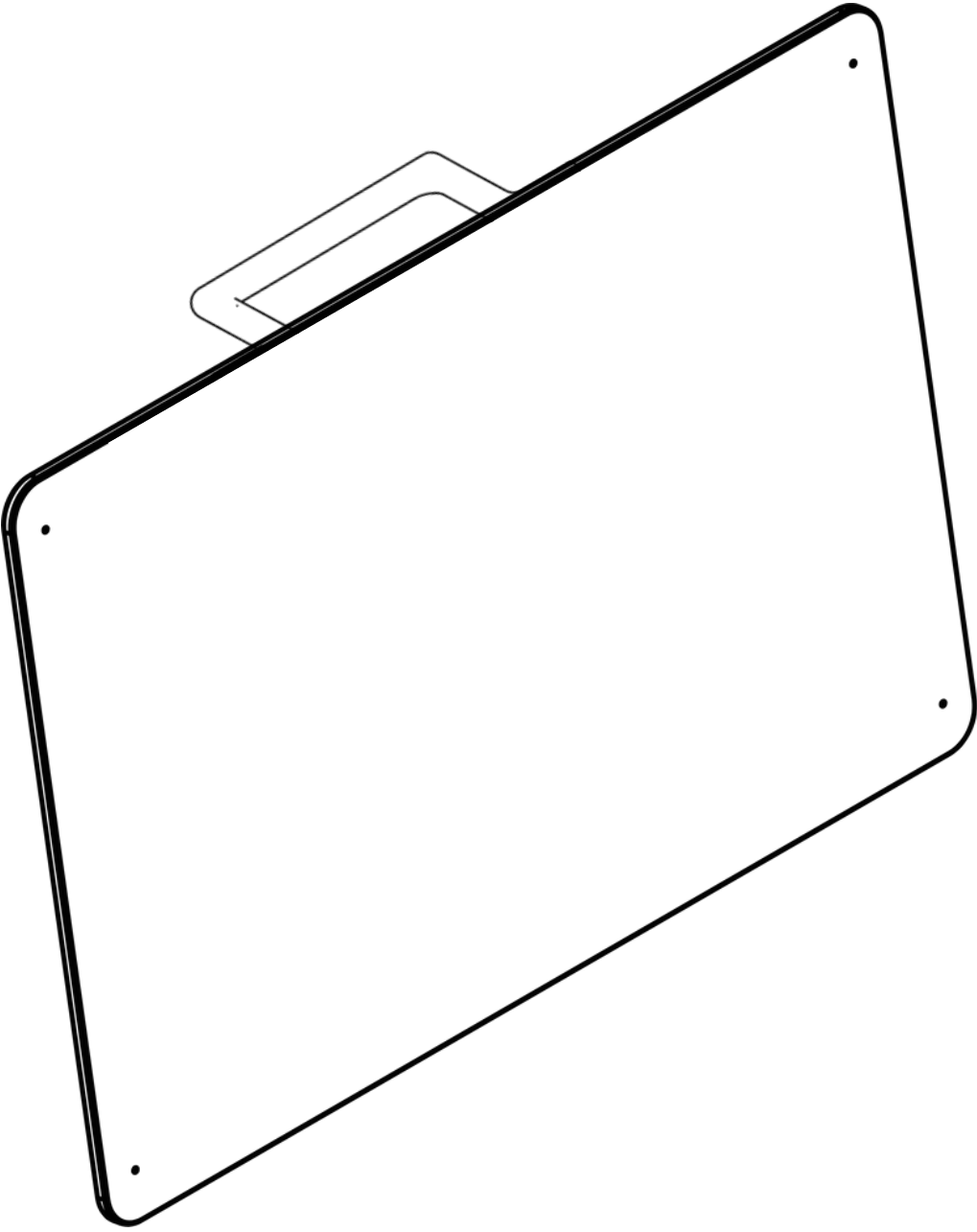
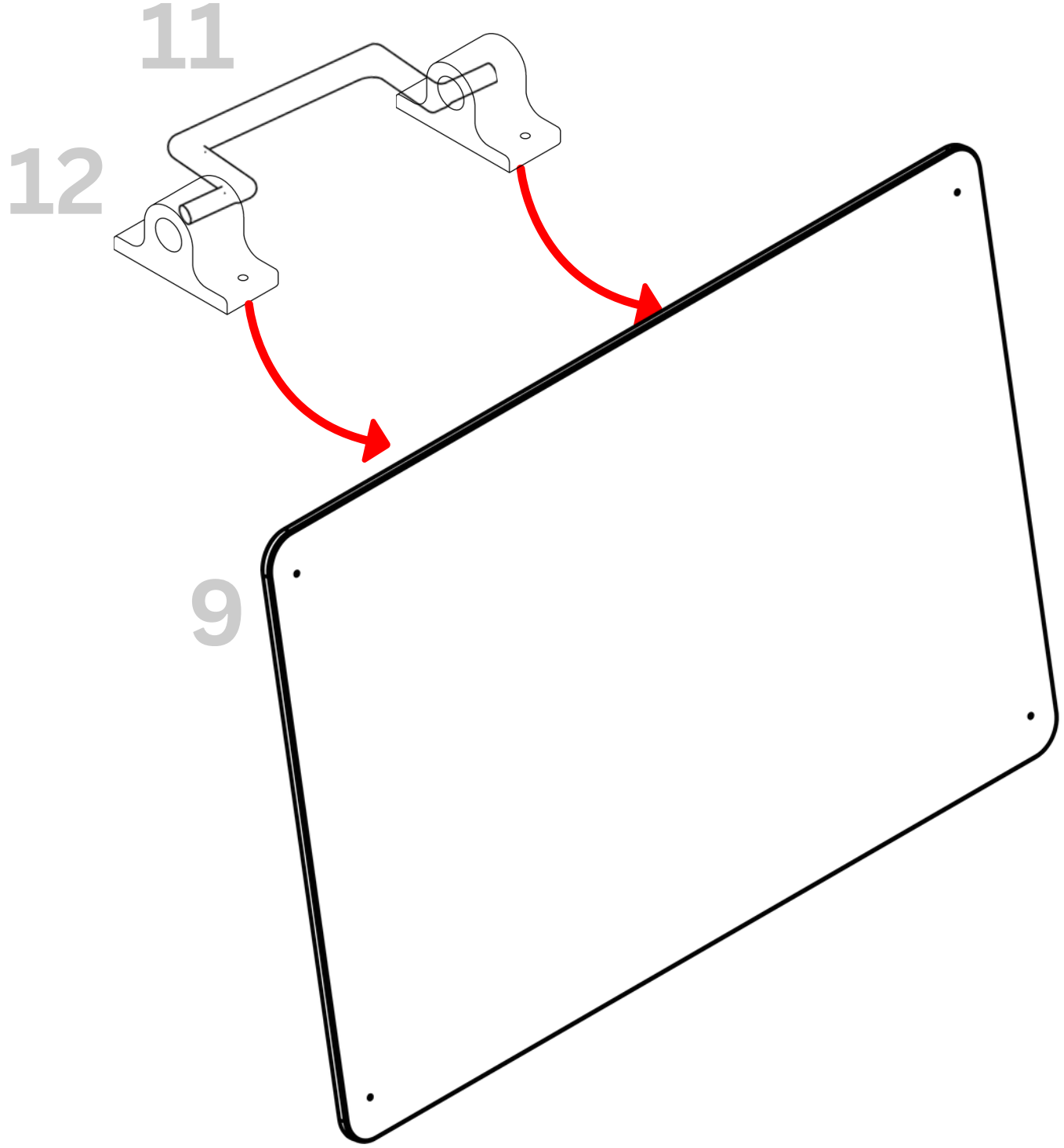


4.e Cutting and Drilling a Wood Board

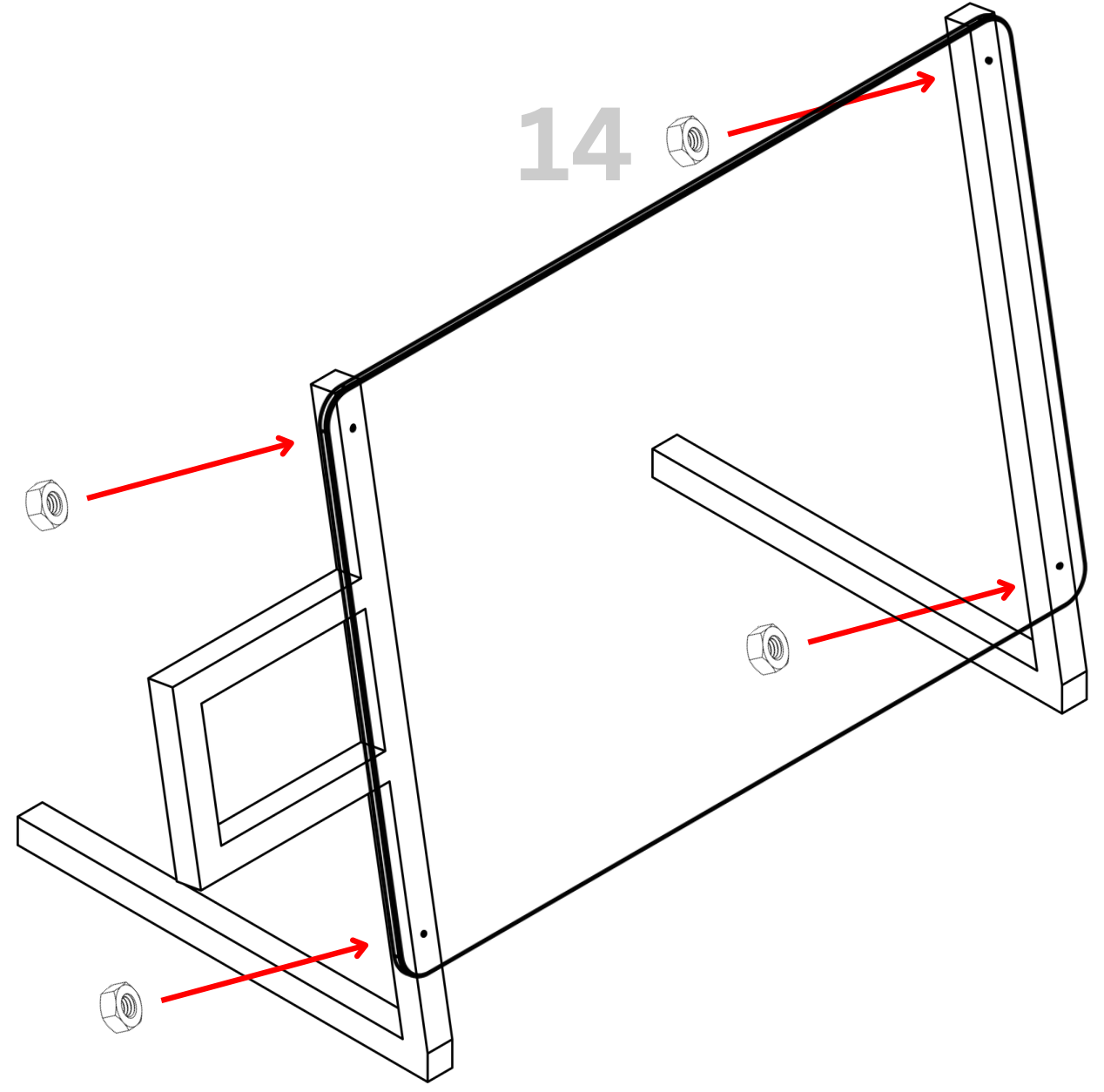
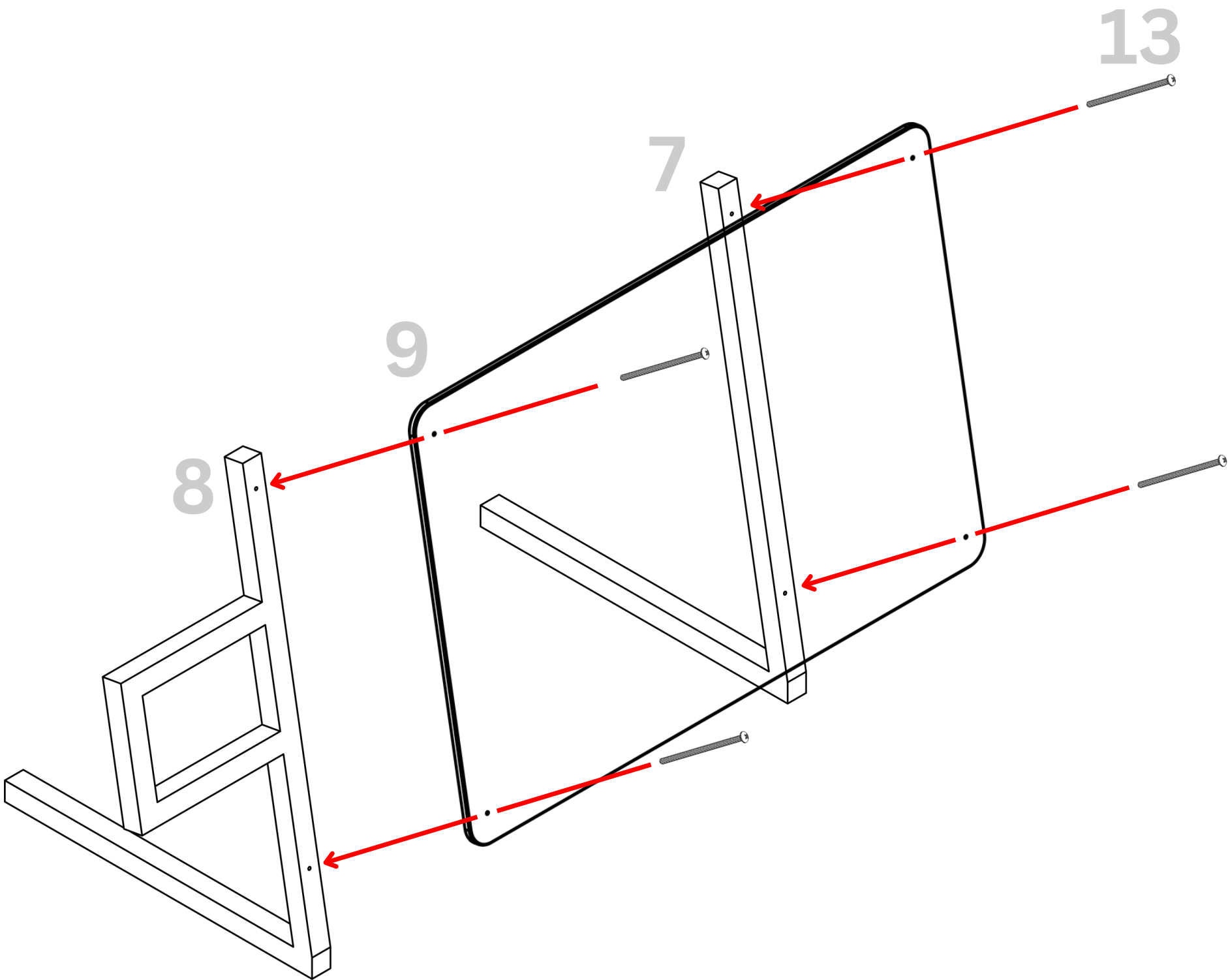


Drilling

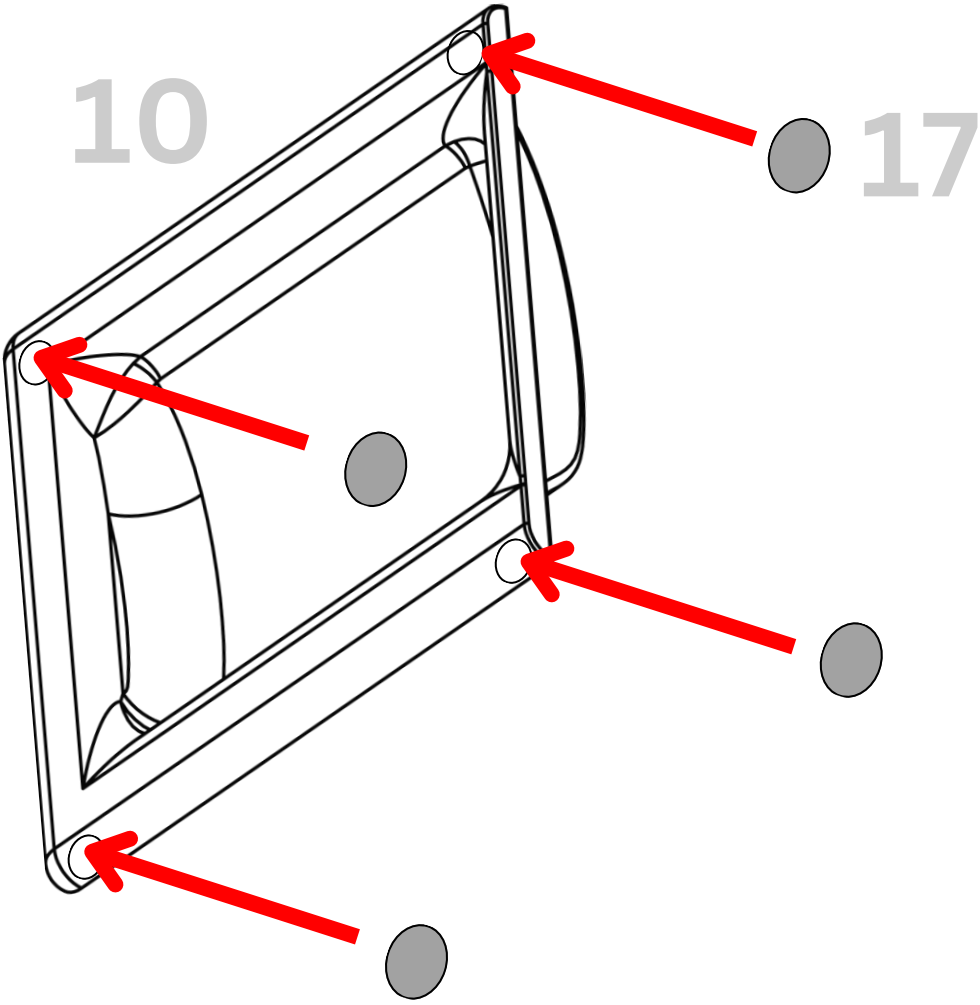
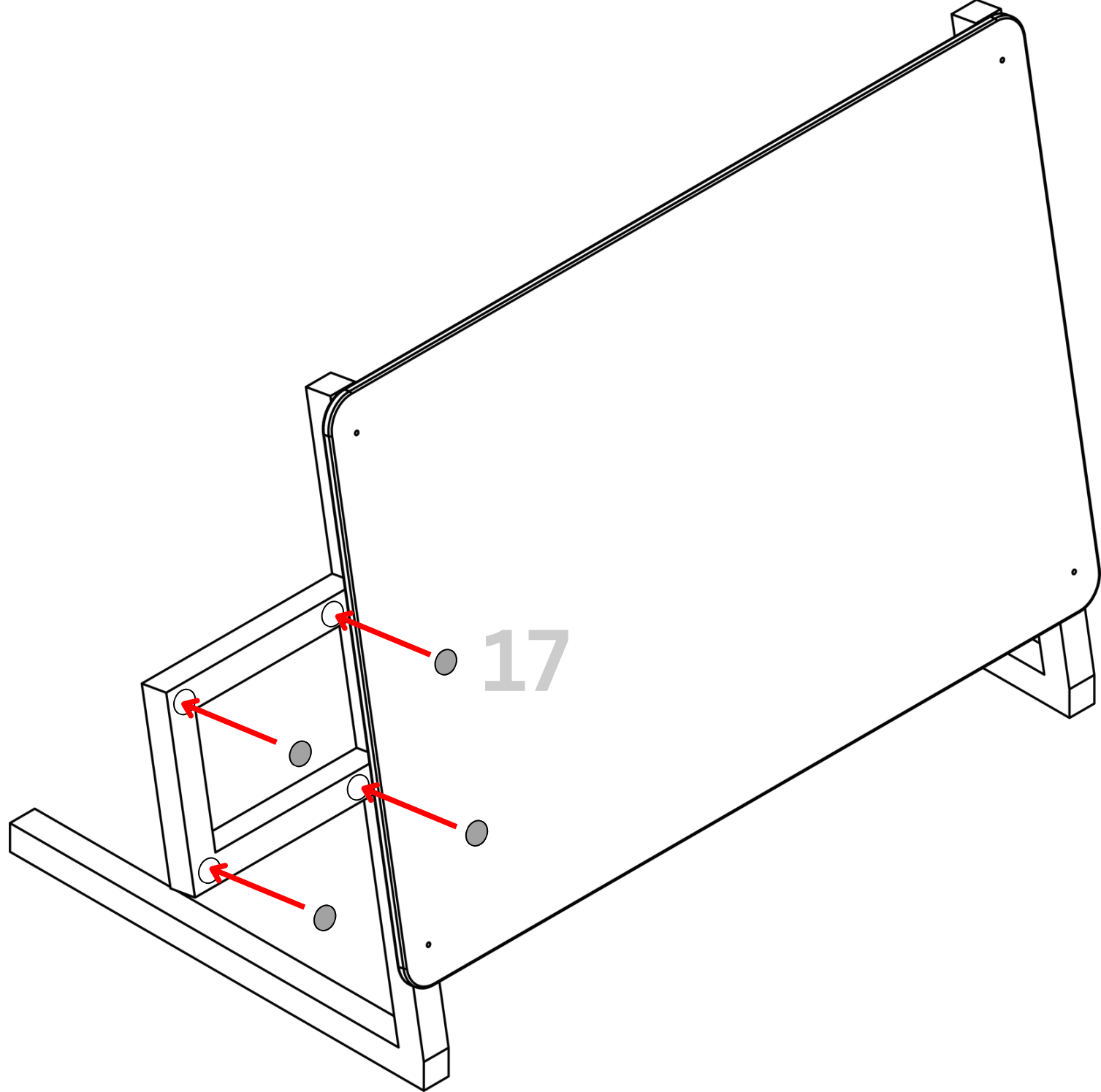
4.f Adding the Handle to the Board



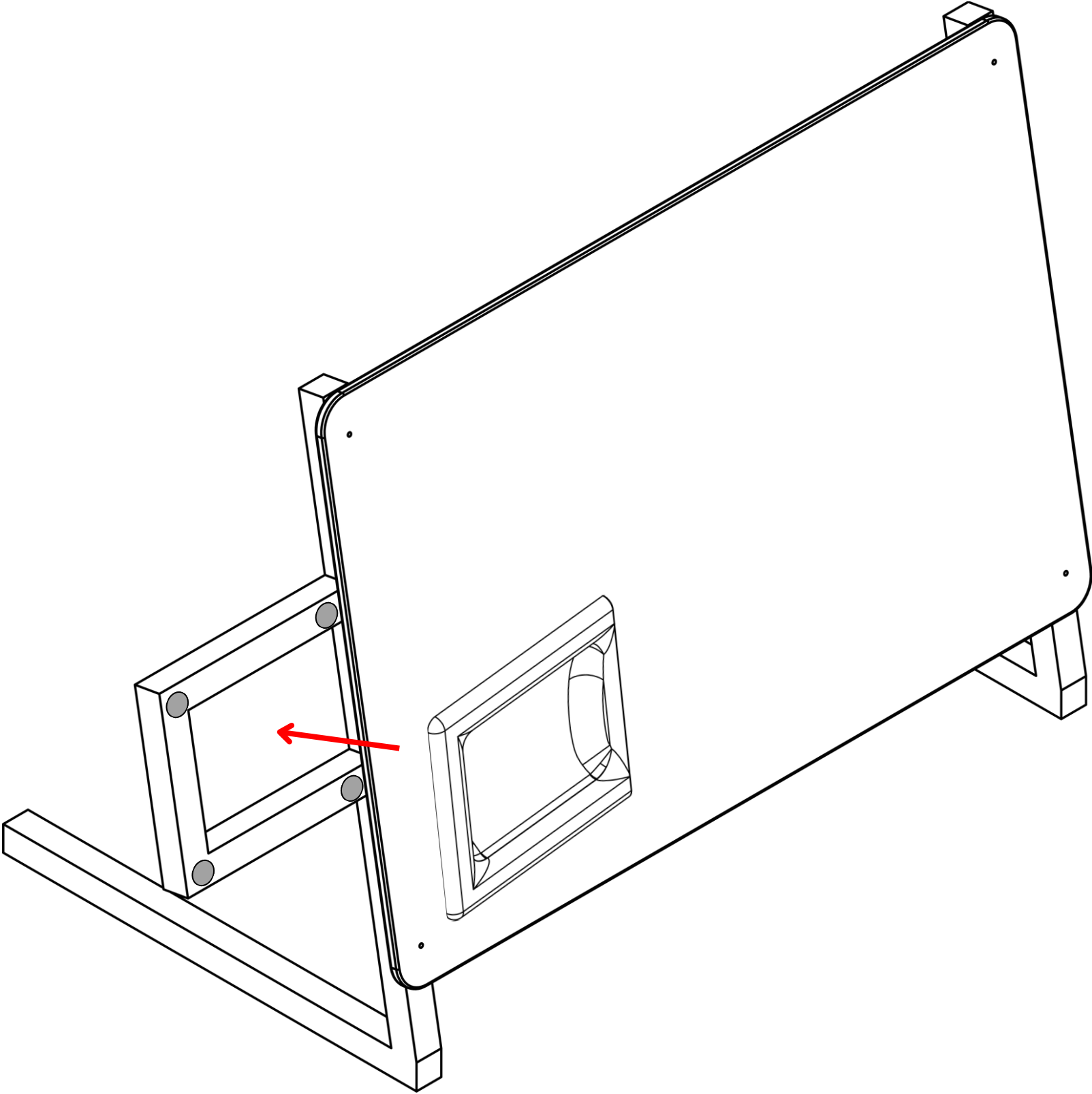
4.g Inserting the Nuts and Screws

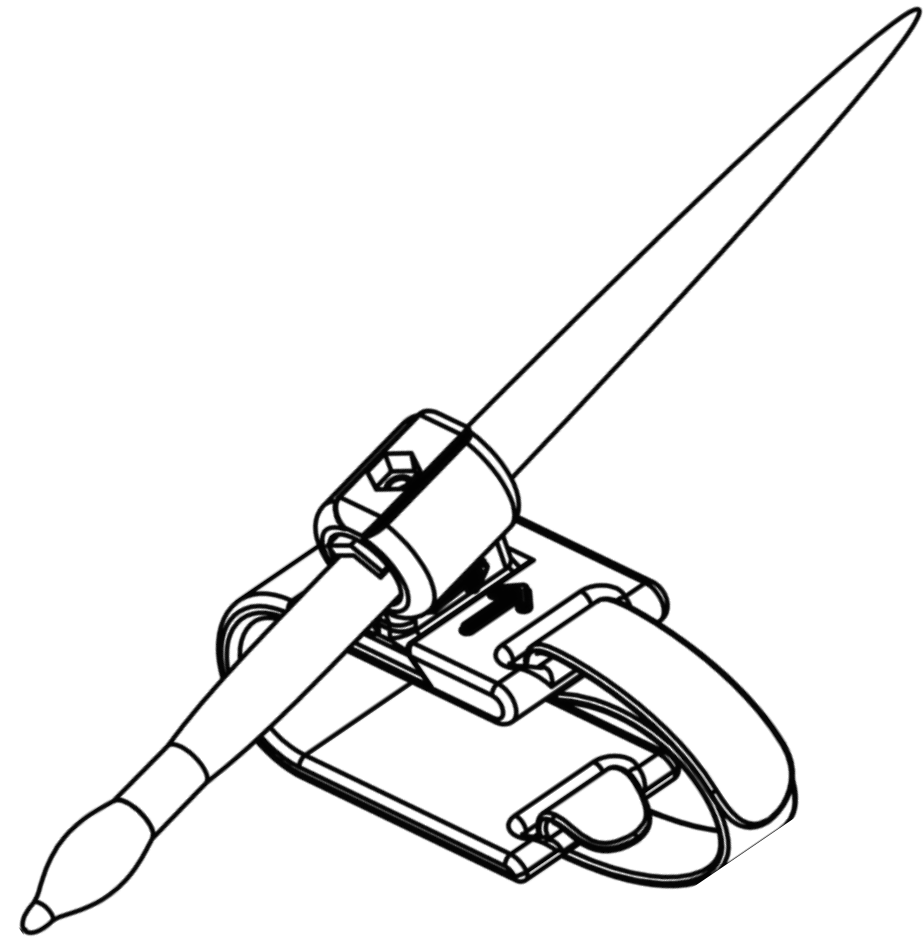
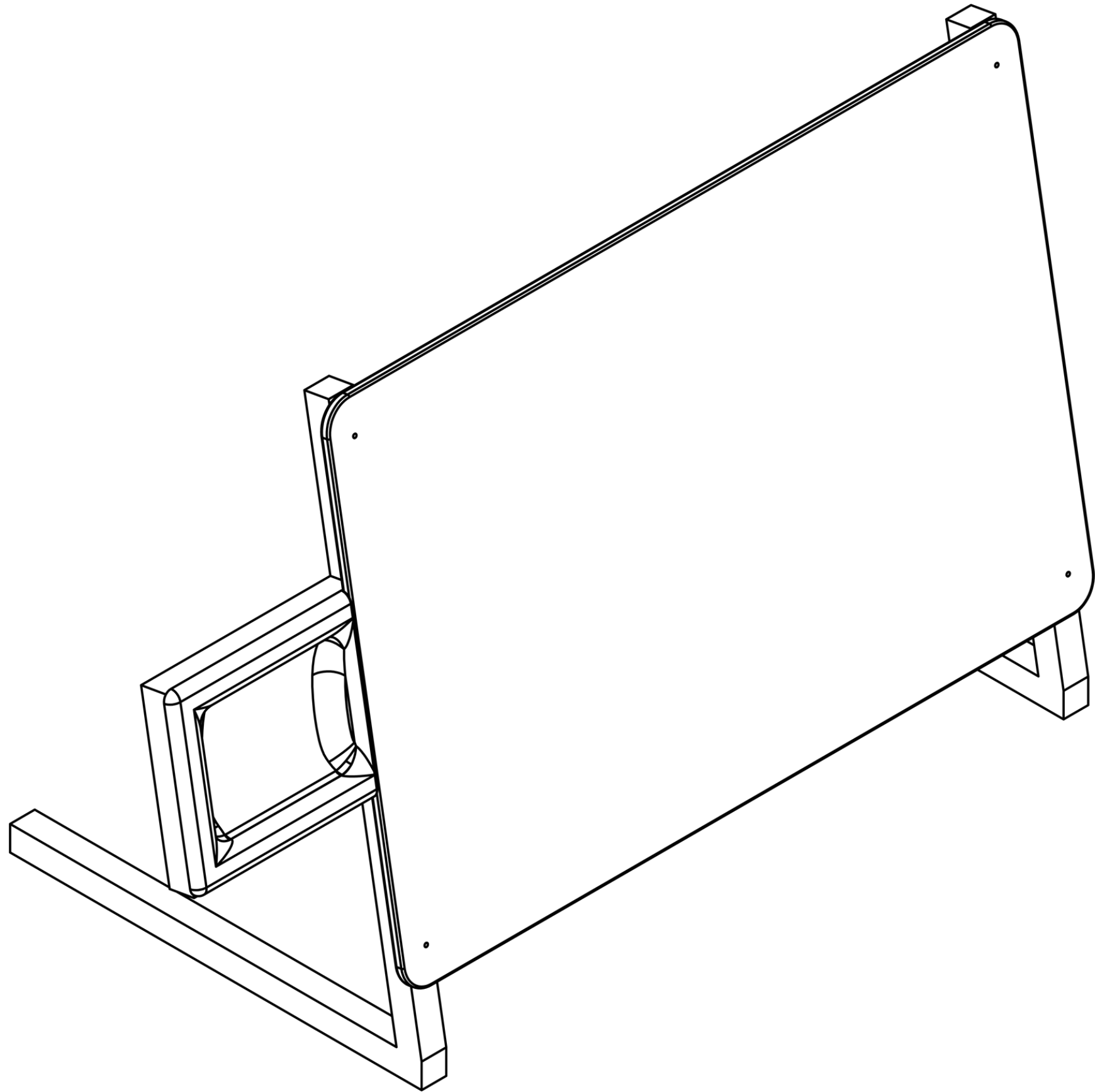


4.h Gluing the Magnets onto the Easel and the Paint Palette



4.i Adding the Paint Palette





Enjoy.