



Hit

Fix  erts

Yinon Opens the Door

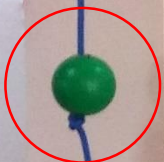


Opening door device

Operating unit



Grasp ball

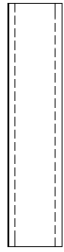
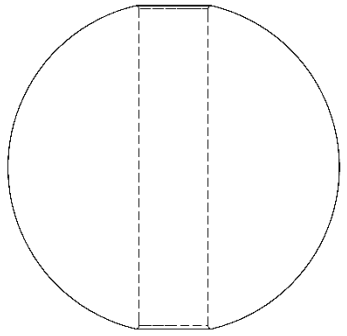


Door connection



Grasp ball parts

Sponge ball 50 mm X3

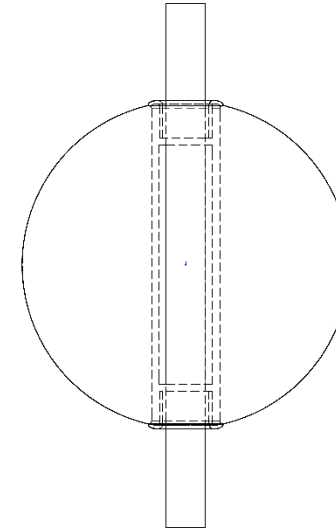


Eyelet 8 mm X6



PVC tube 6 mm X3

6 mm Rope 250 - 300 mm



Other Options:

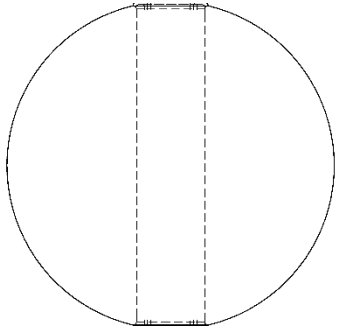
- Tennis ball
- Different tubes
- Different balls



Grasp ball instructions

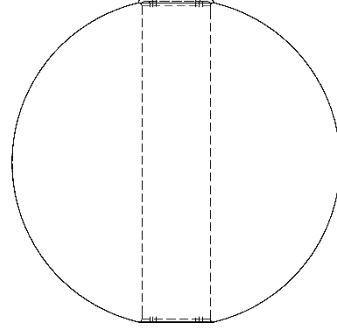
1

Drill 7 mm hole



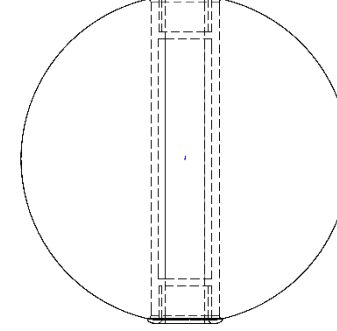
2

Insert the PVC tube

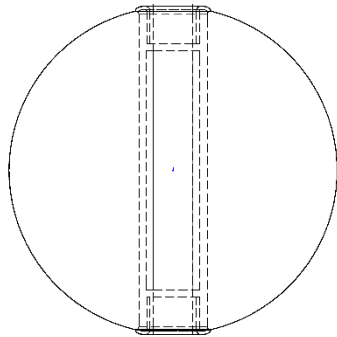


3

Insert the 2 Eyelet

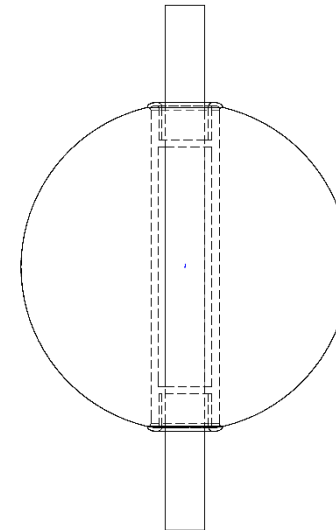


4



Insert the rope

5

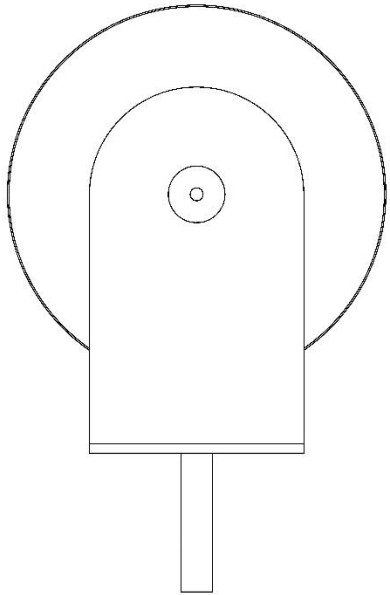


Make an Knot on the bottom of the ball

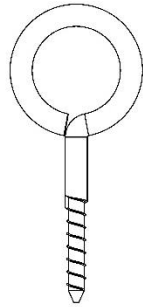


Operating unit parts

Pulley 60 mm

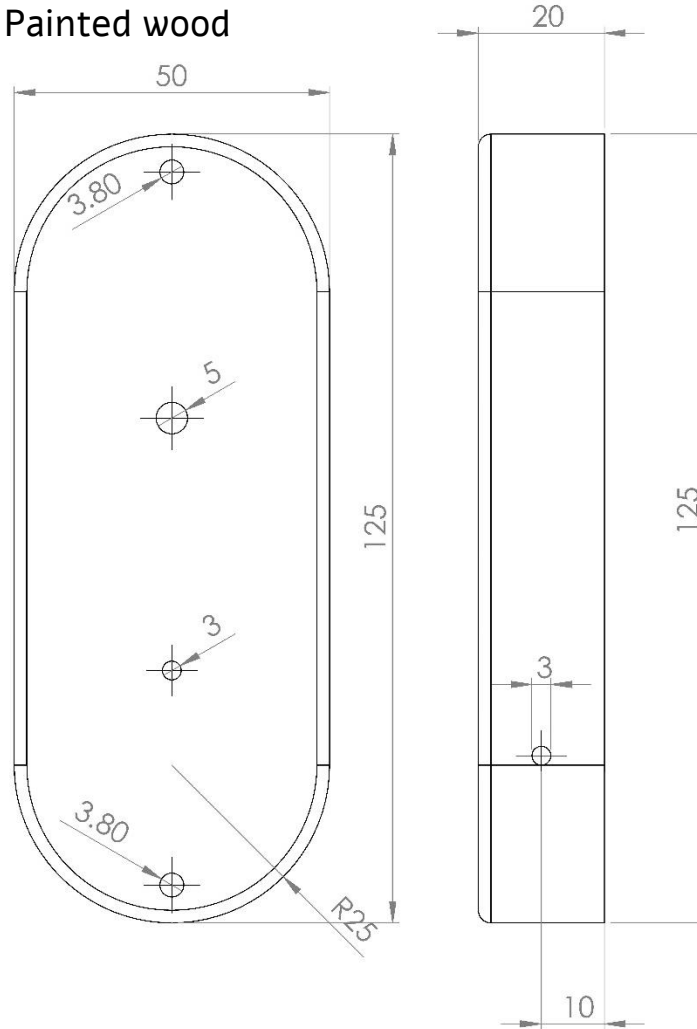


Hook 15 mm X2



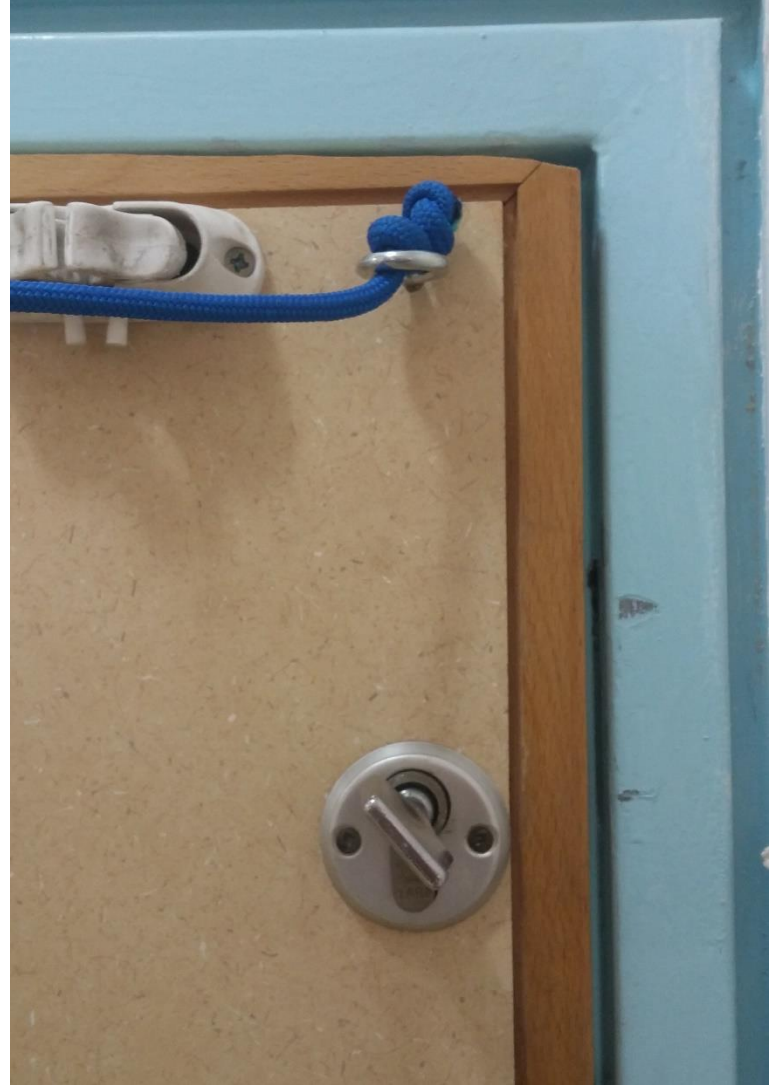
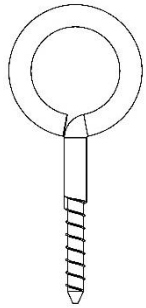
Screw 50 mm X2

Painted wood



Door connection

Hook 15 mm X2







Hit!

Fixpartner

Fixperts

Master
Fixperts

Fixerts

Yinon Biton
Mayan Tahar Salit

Merav Asherian
Barkai Dagan

Prof. Gad Charny
Dana Yichye Shwachman

