

Parts List		
Item	Qty	Part Number
1	2	Siliconen ring
2	1	Ring 1
3	1	Ring 4
4	1	Ring 3
5	1	Ring 2

Dept.	Technical reference	Created by Werner Schijvenaars 30-4-2020	Approved by
		Document type	Document status
		Title Iris Port	DWG No.
		Rev.	Date of issue
		Sheet 1/6	

1

2

3

4

5

6

7

8

A

B

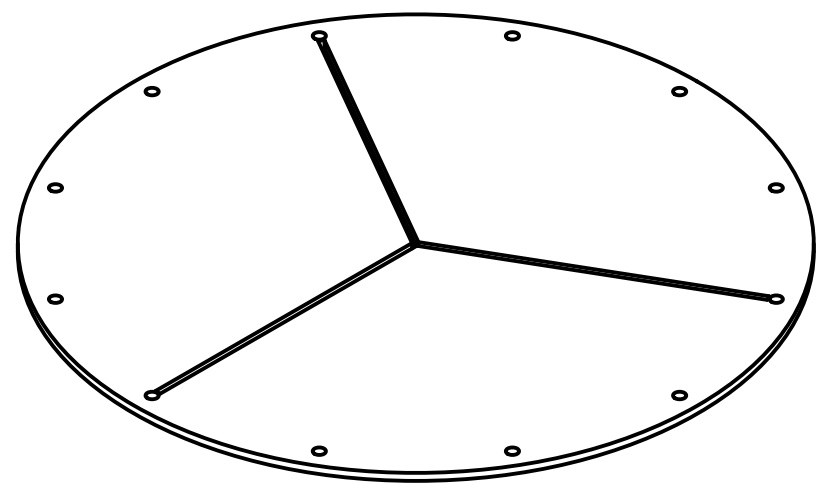
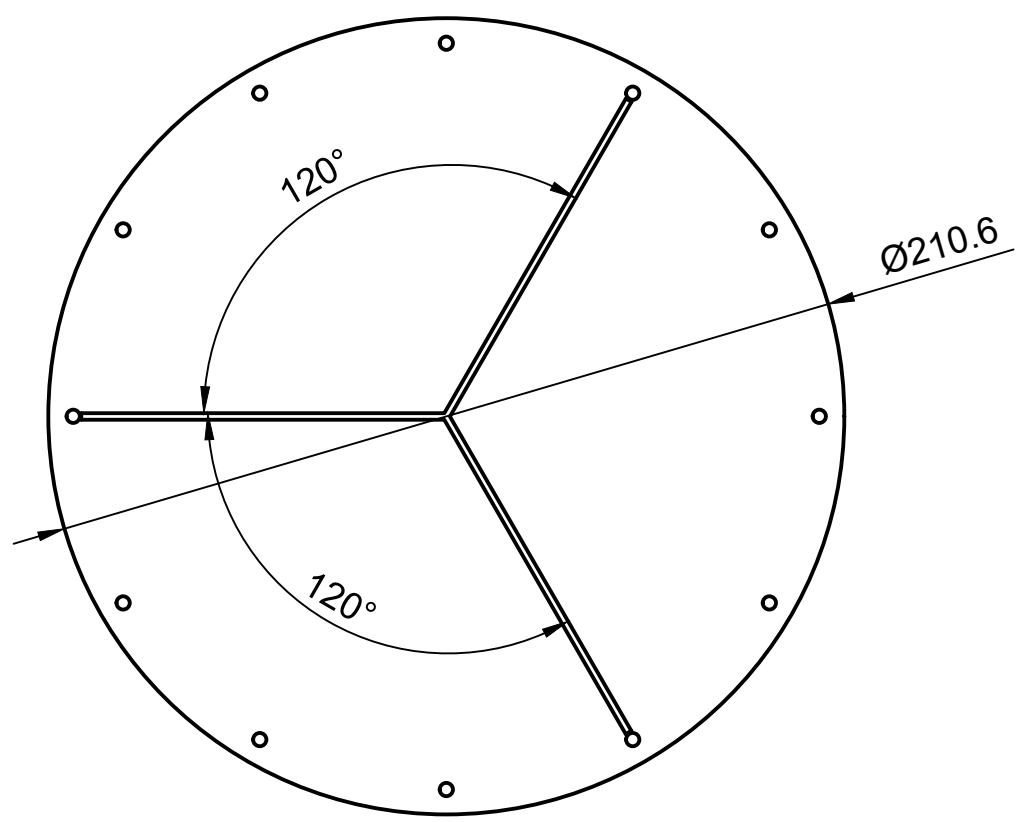
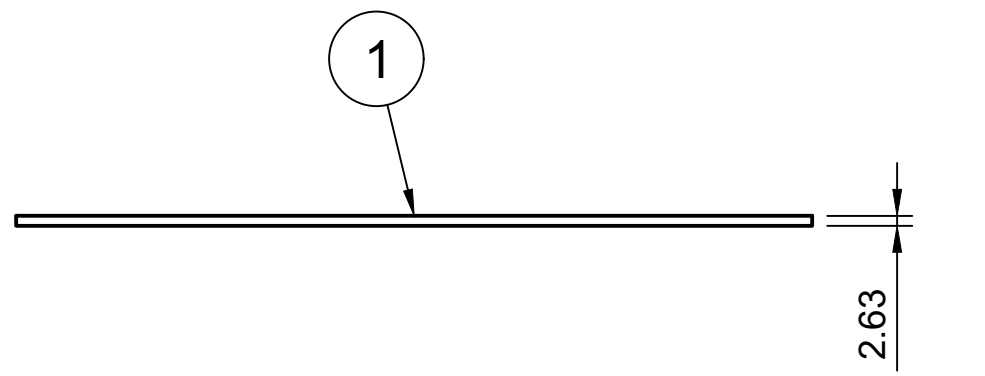
C

D

E

F

Parts List		
Item	Qty	Part Number
1	1	Siliconen ring



Dept.	Technical reference	Created by Werner Schijvenaars 30-4-2020	Approved by
		Document type	Document status
		Title Iris Port	DWG No.
	Rev.	Date of issue	Sheet 2/6

1

2

3

4

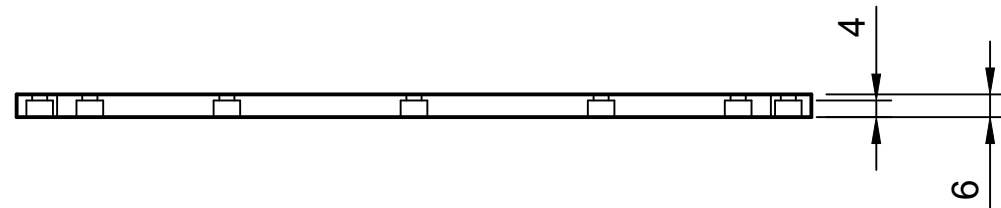
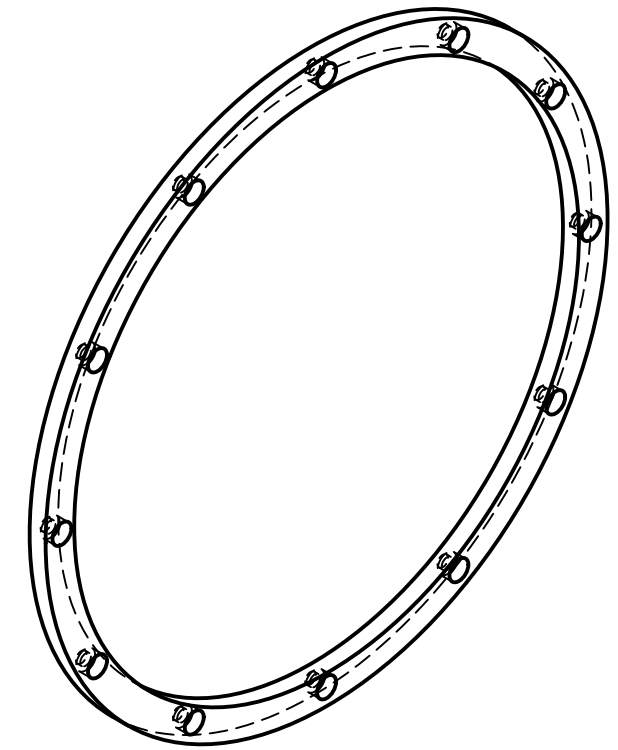
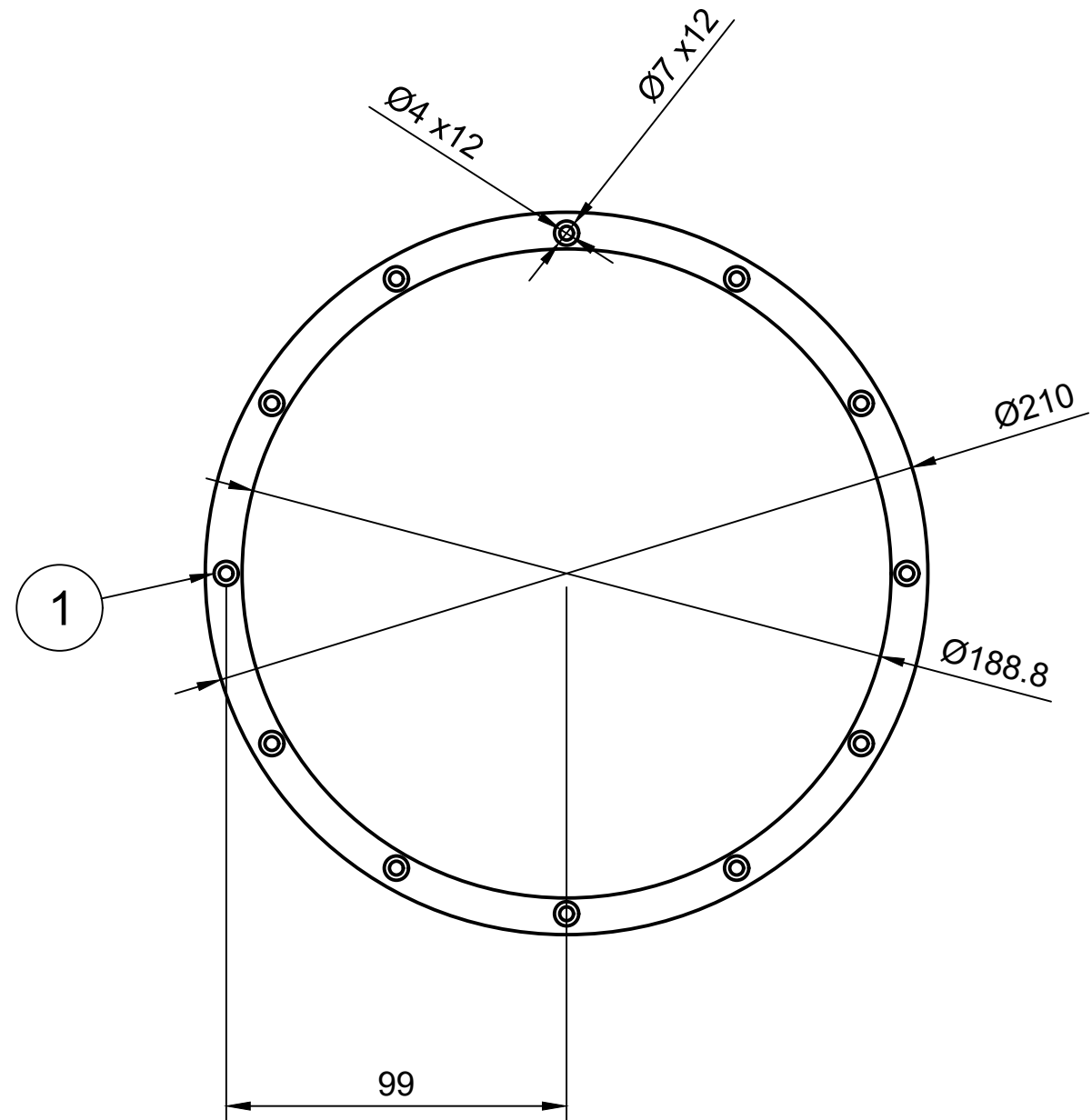
5

6

7

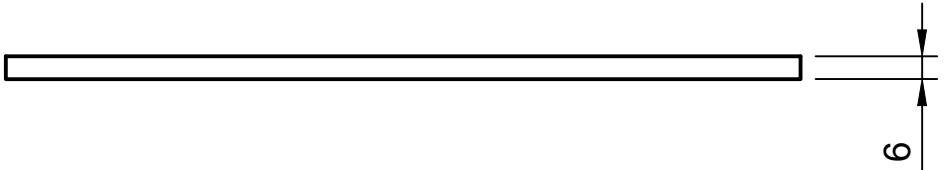
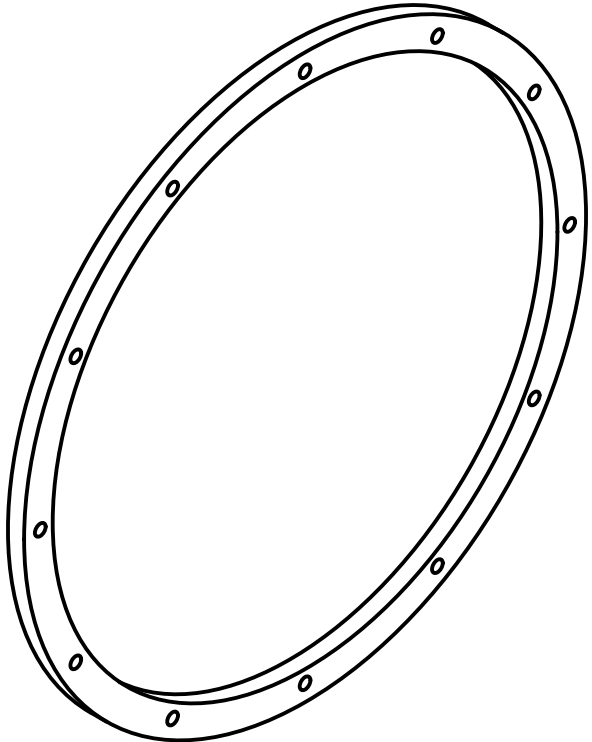
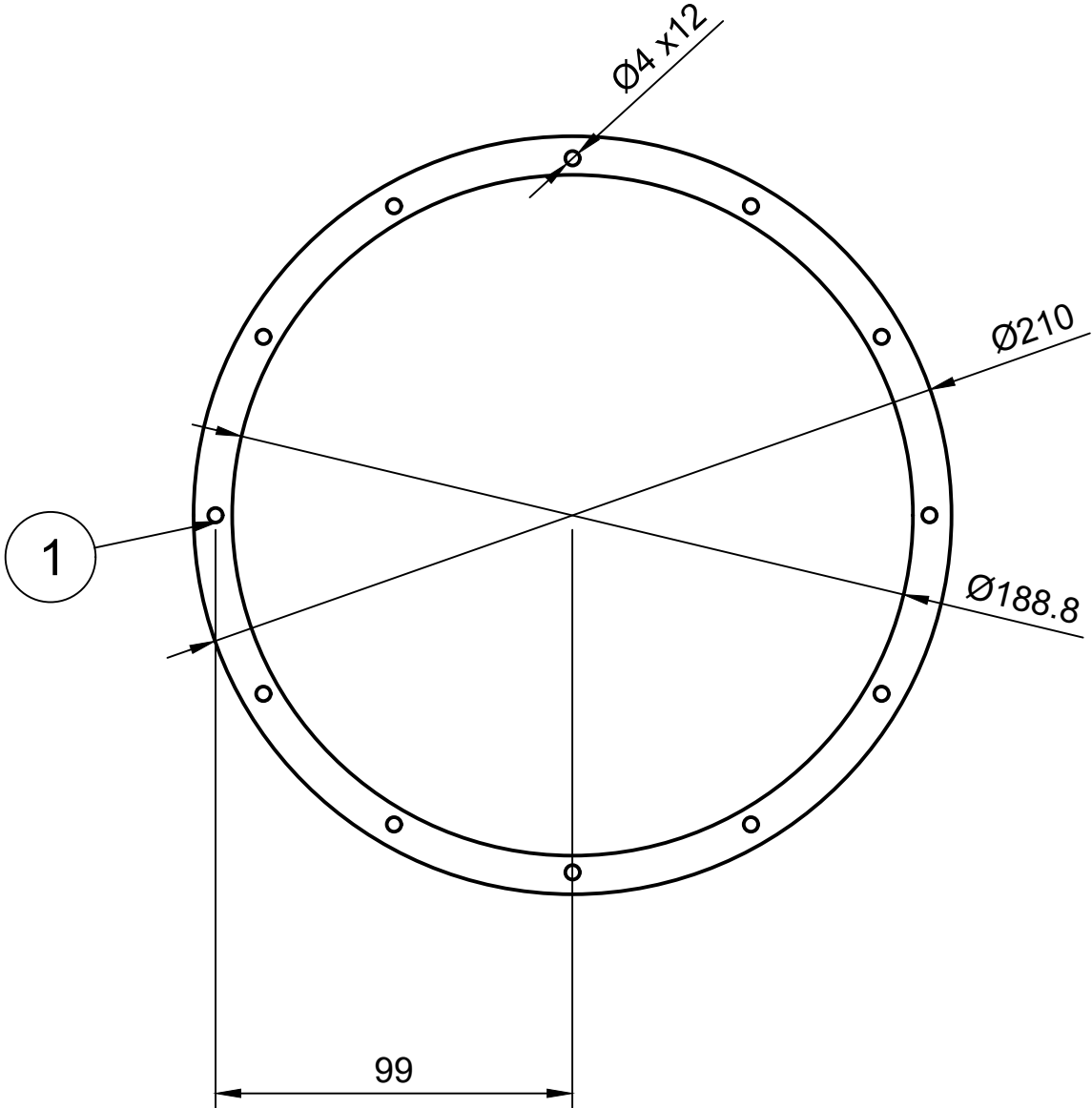
8

Parts List		
Item	Qty	Part Number
1	1	Ring 1



Dept.	Technical reference	Created by Werner Schijvenaars 30-4-2020	Approved by
		Document type	Document status
		Title Iris Port	DWG No.
Rev.	Date of issue	Sheet	3/6

Parts List		
Item	Qty	Part Number
1	1	Ring 2



Dept.	Technical reference	Created by Werner Schijvenaars 30-4-2020	Approved by
		Document type	Document status
		Title Iris Port	DWG No.
	Rev.	Date of issue	Sheet 4/6

1 2 3 4 5 6 7 8

Parts List		
Item	Qty	Part Number
1	1	Ring 3

A

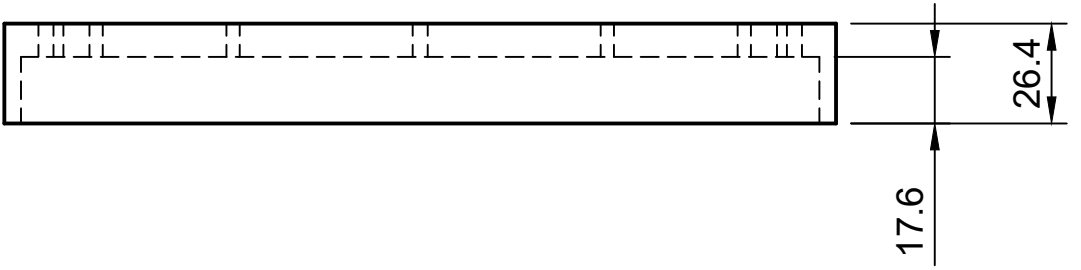
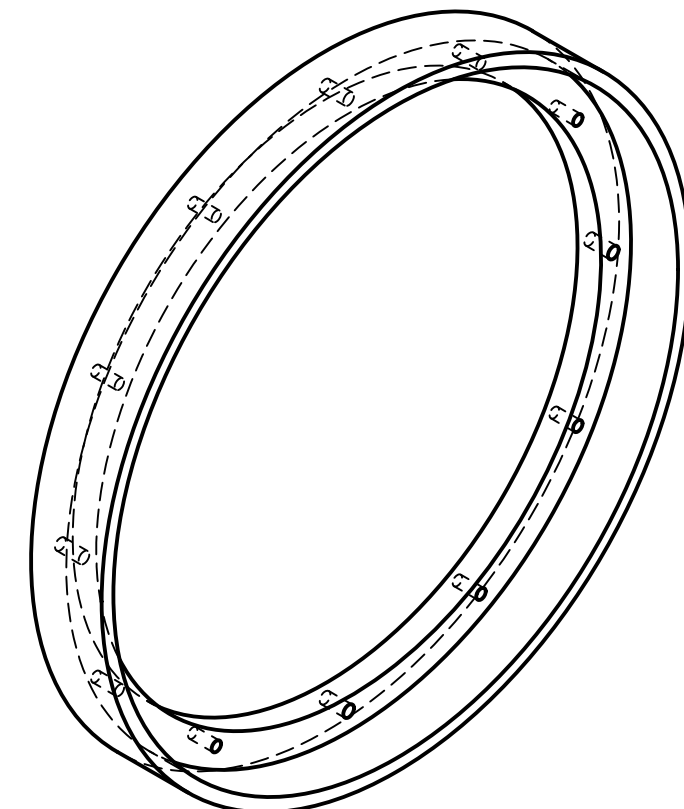
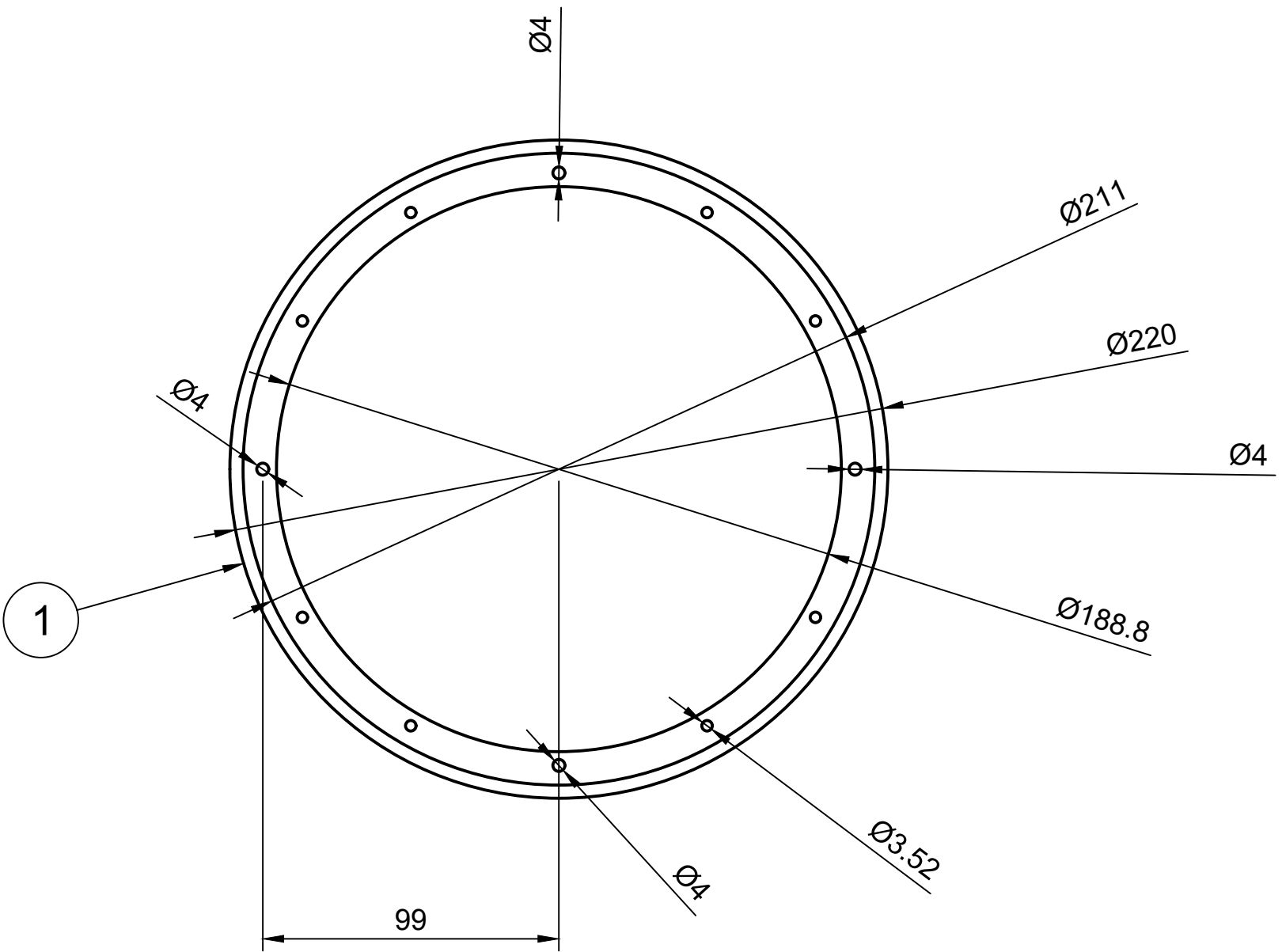
B

C

D

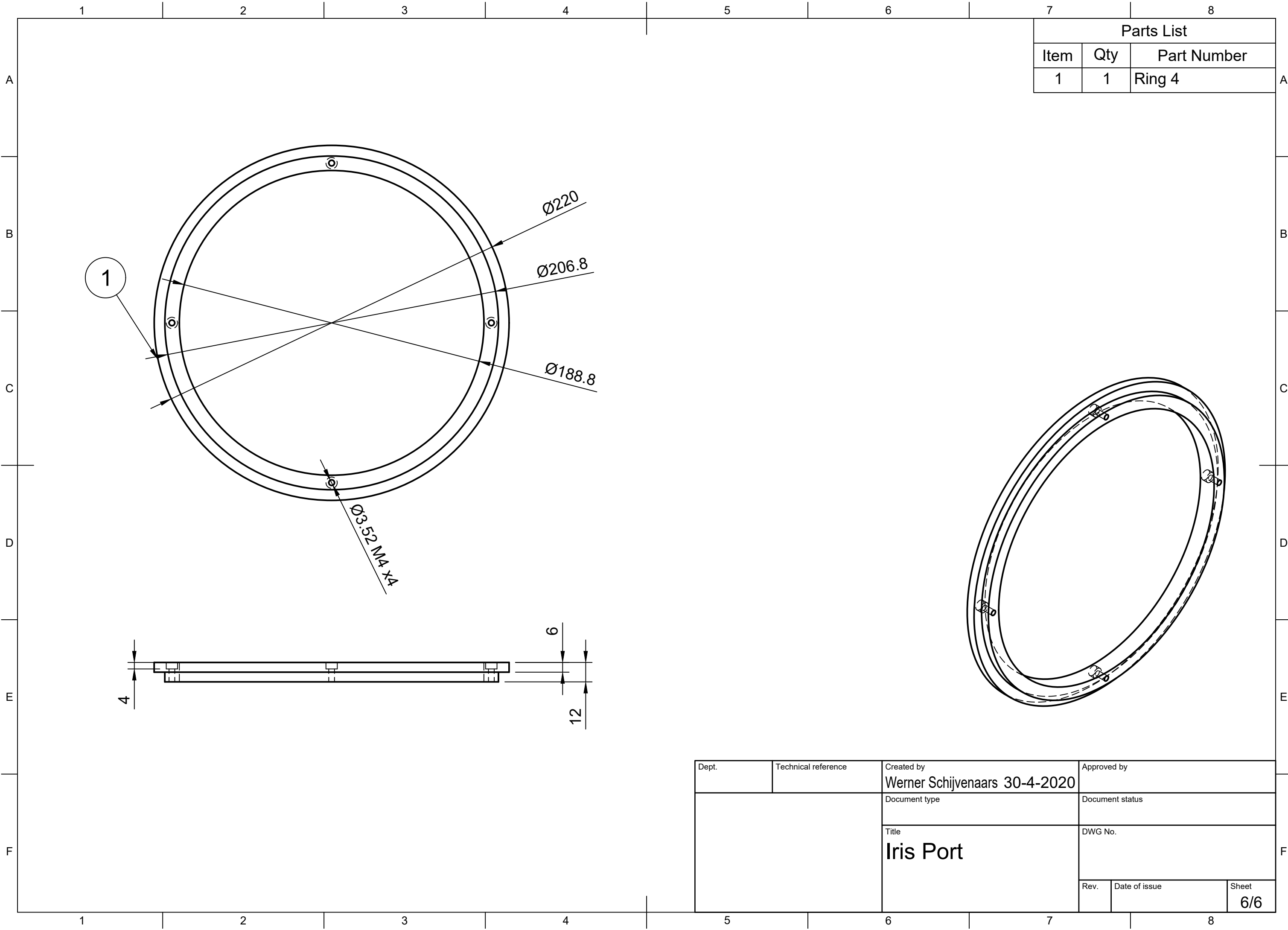
E

F



Dept.	Technical reference	Created by Werner Schijvenaars 30-4-2020	Approved by
		Document type	Document status
		Title Iris Port	DWG No.
Rev.	Date of issue	Sheet 5/6	

1 2 3 4 5 6 7 8



Parts List		
Item	Qty	Part Number
1	1	Ring 4

Dept.	Technical reference	Created by Werner Schijvenaars 30-4-2020	Approved by
		Document type	Document status
		Title Iris Port	DWG No.
Rev.	Date of issue	Sheet 6/6	