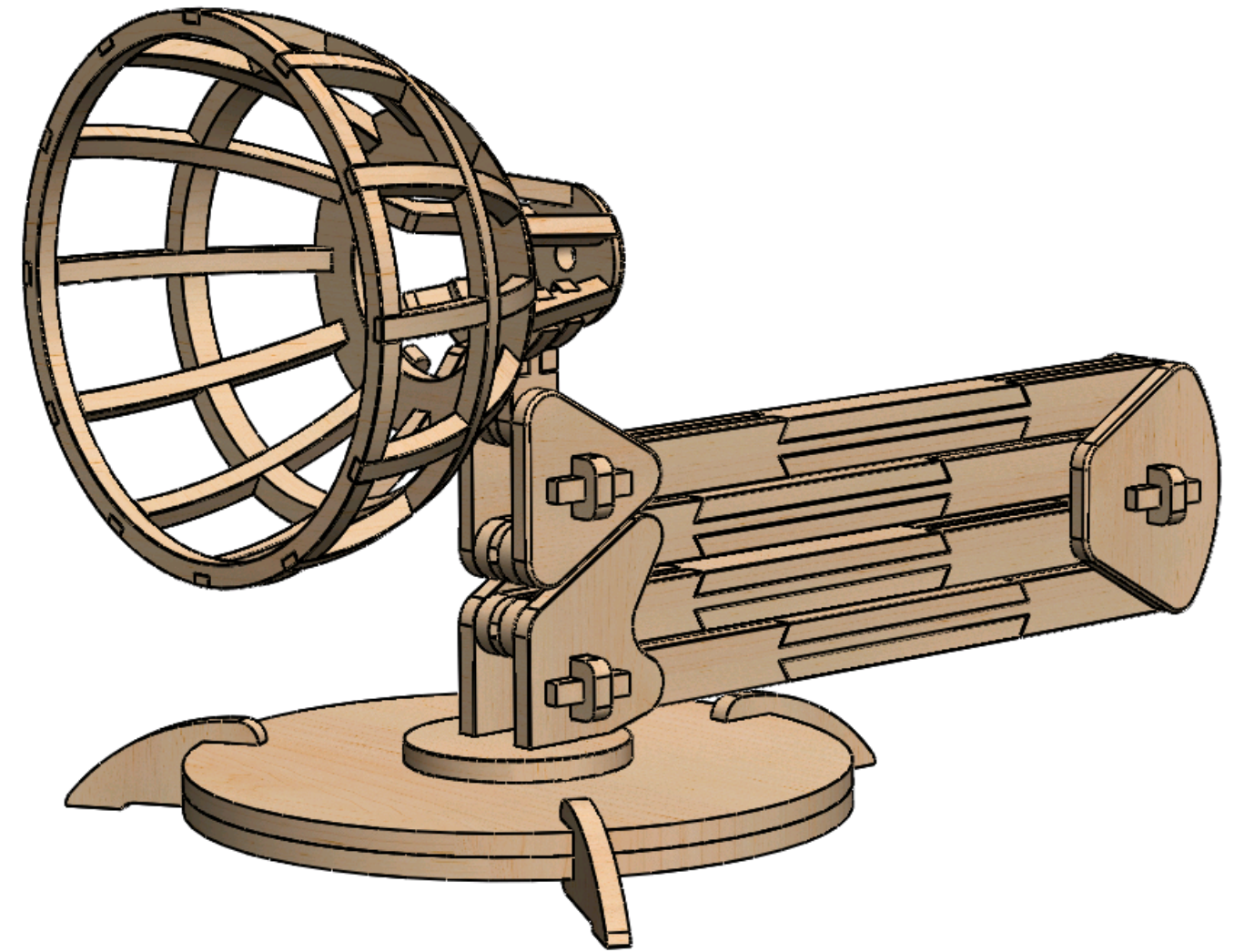
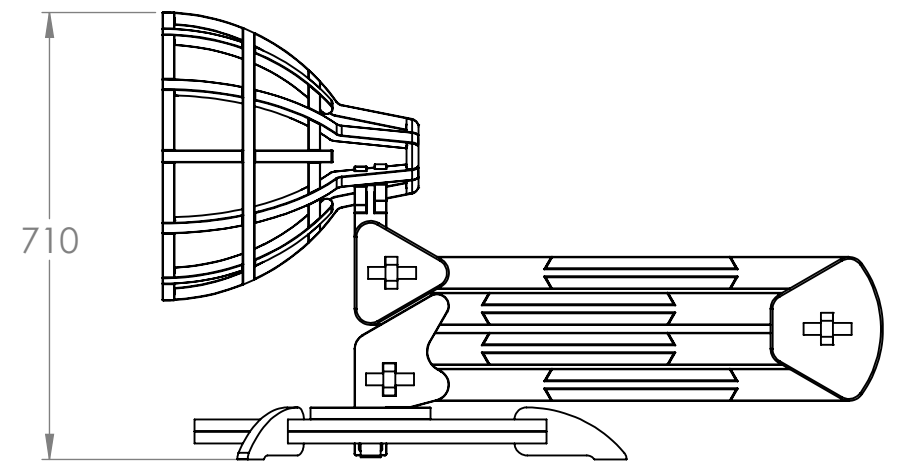
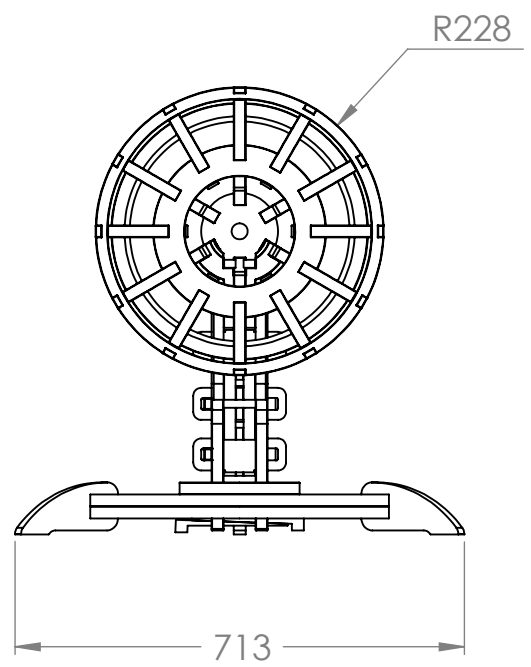
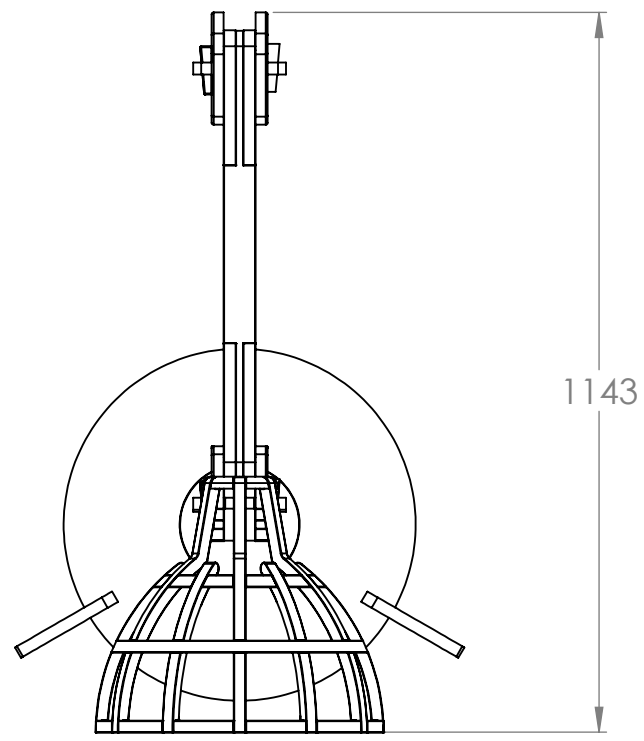


8 7 6 5 4 3 2 1

D  
C  
B  
A



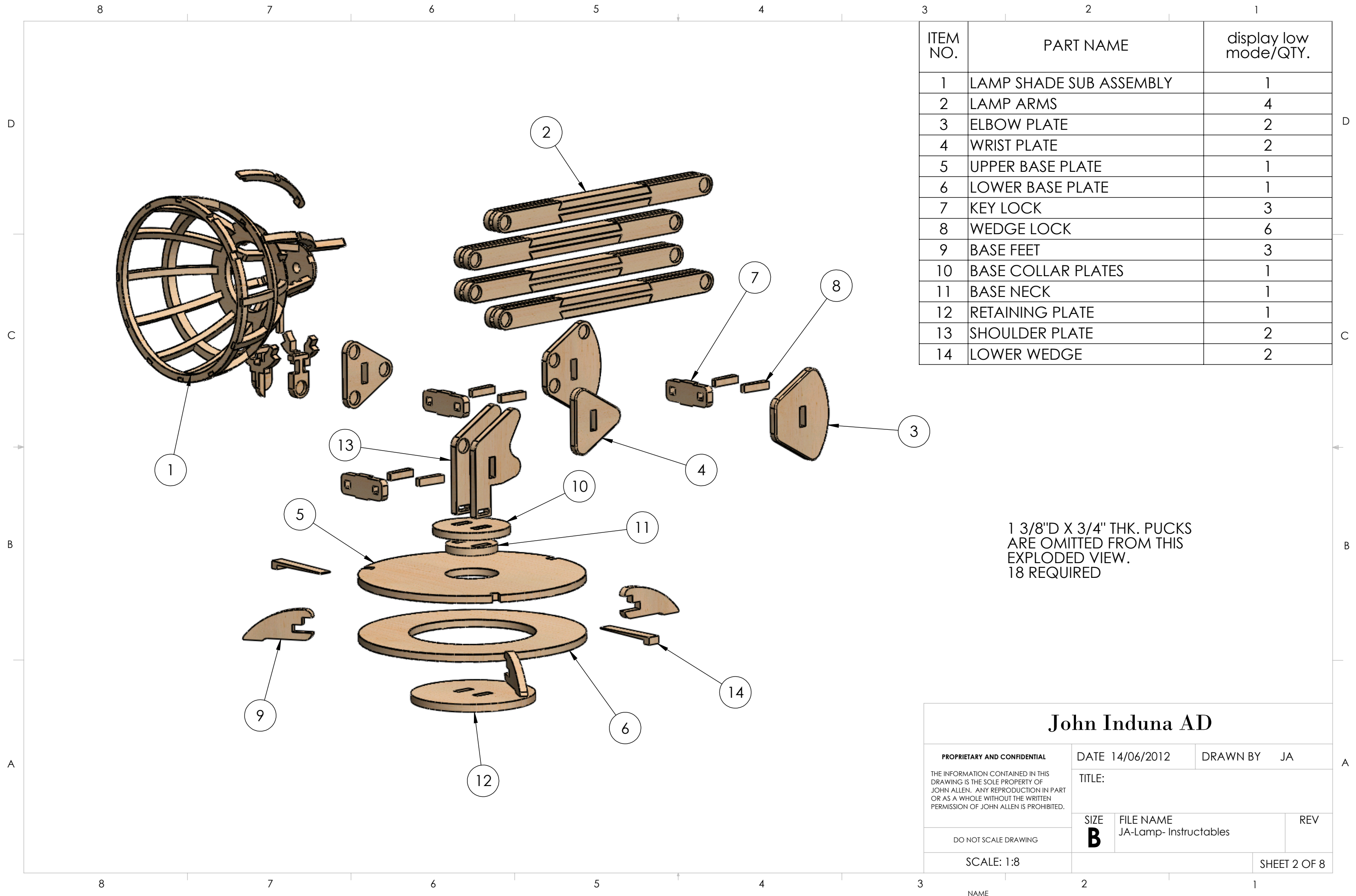
D  
C  
B  
A

8 7 6 5 4 3 2 1

### John Induna AD

<small>PROPRIETARY AND CONFIDENTIAL</small> <small>THE INFORMATION CONTAINED IN THIS DRAWING IS THE SOLE PROPERTY OF JOHN ALLEN. ANY REPRODUCTION IN PART OR AS A WHOLE WITHOUT THE WRITTEN PERMISSION OF JOHN ALLEN IS PROHIBITED.</small>	DATE 14/06/2012	DRAWN BY JA
	TITLE:	
DO NOT SCALE DRAWING	SIZE <b>B</b> FILE NAME JA-Lamp- Instructables	REV
SCALE: 1:12	SHEET 1 OF 8	

NAME



ITEM NO.	PART NAME	display low mode/QTY.
1	LAMP SHADE SUB ASSEMBLY	1
2	LAMP ARMS	4
3	ELBOW PLATE	2
4	WRIST PLATE	2
5	UPPER BASE PLATE	1
6	LOWER BASE PLATE	1
7	KEY LOCK	3
8	WEDGE LOCK	6
9	BASE FEET	3
10	BASE COLLAR PLATES	1
11	BASE NECK	1
12	RETAINING PLATE	1
13	SHOULDER PLATE	2
14	LOWER WEDGE	2

1 3/8"D X 3/4" THK. PUCKS ARE OMITTED FROM THIS EXPLODED VIEW. 18 REQUIRED

### John Induna AD

<b>PROPRIETARY AND CONFIDENTIAL</b> <small>THE INFORMATION CONTAINED IN THIS DRAWING IS THE SOLE PROPERTY OF JOHN ALLEN. ANY REPRODUCTION IN PART OR AS A WHOLE WITHOUT THE WRITTEN PERMISSION OF JOHN ALLEN IS PROHIBITED.</small>	DATE 14/06/2012	DRAWN BY JA
	TITLE:	
DO NOT SCALE DRAWING	SIZE <b>B</b> FILE NAME JA-Lamp- Instructables	REV
SCALE: 1:8	SHEET 2 OF 8	

8 7 6 5 4 3 2 1

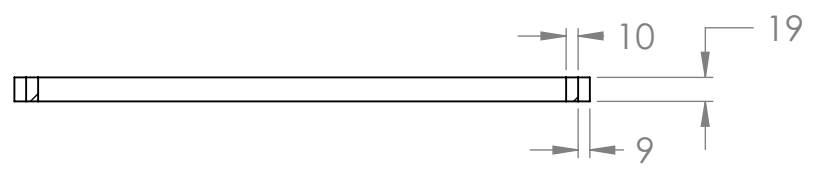
8 7 6 5 4 3 2 1

D  
C  
B  
A

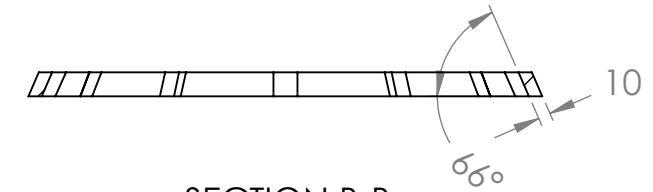
D  
C  
B  
A

NAME

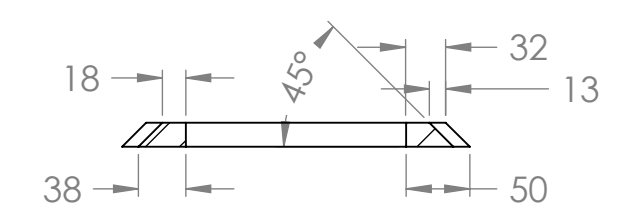
8 7 6 5 4 3 2 1



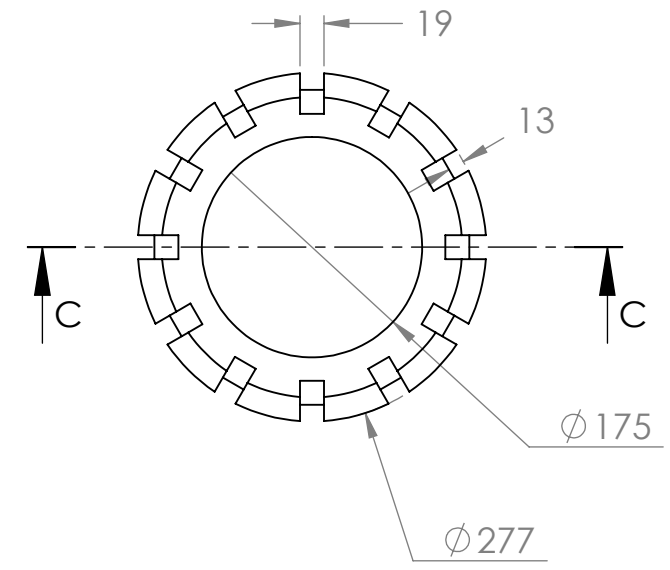
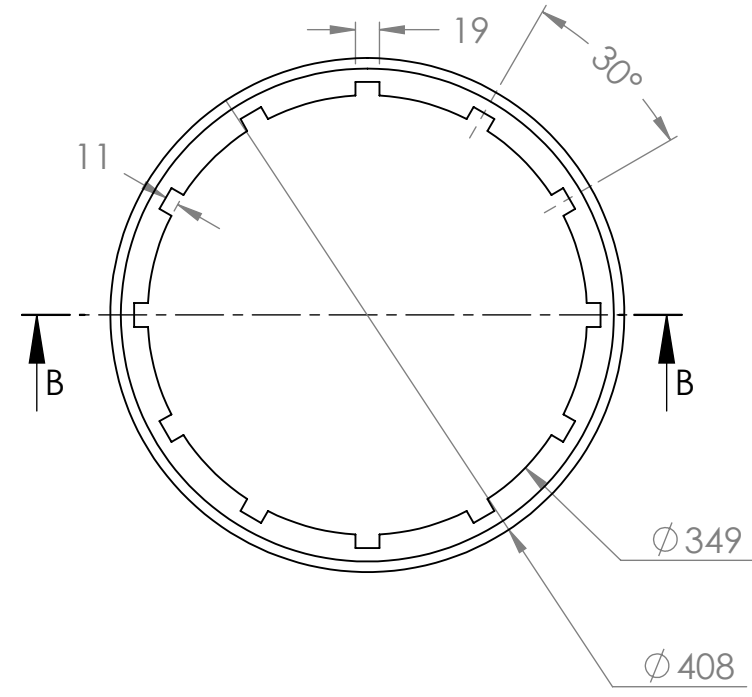
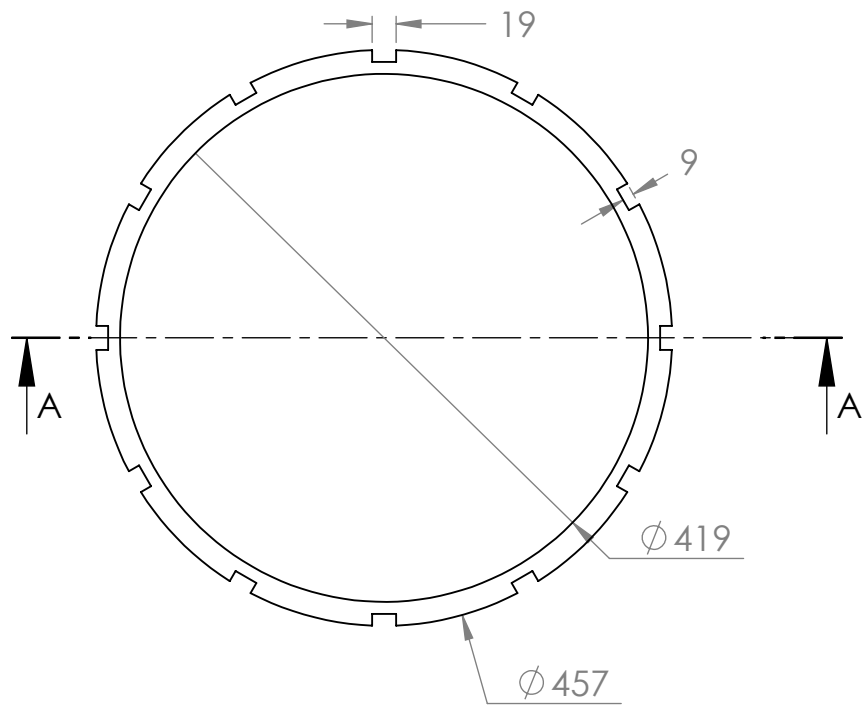
SECTION A-A



SECTION B-B

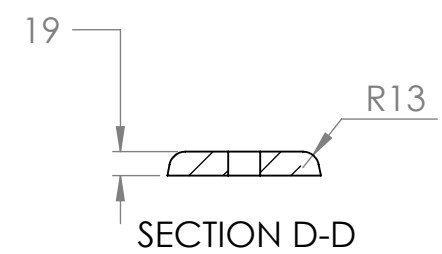
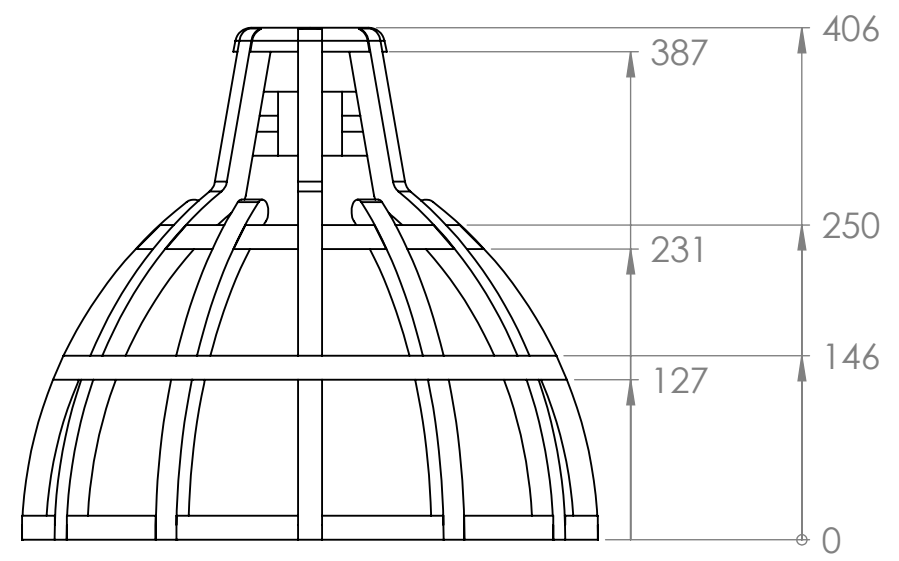


SECTION C-C

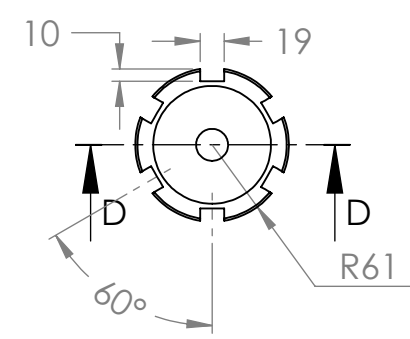


D  
C  
B  
A

D  
C  
B  
A



SECTION D-D



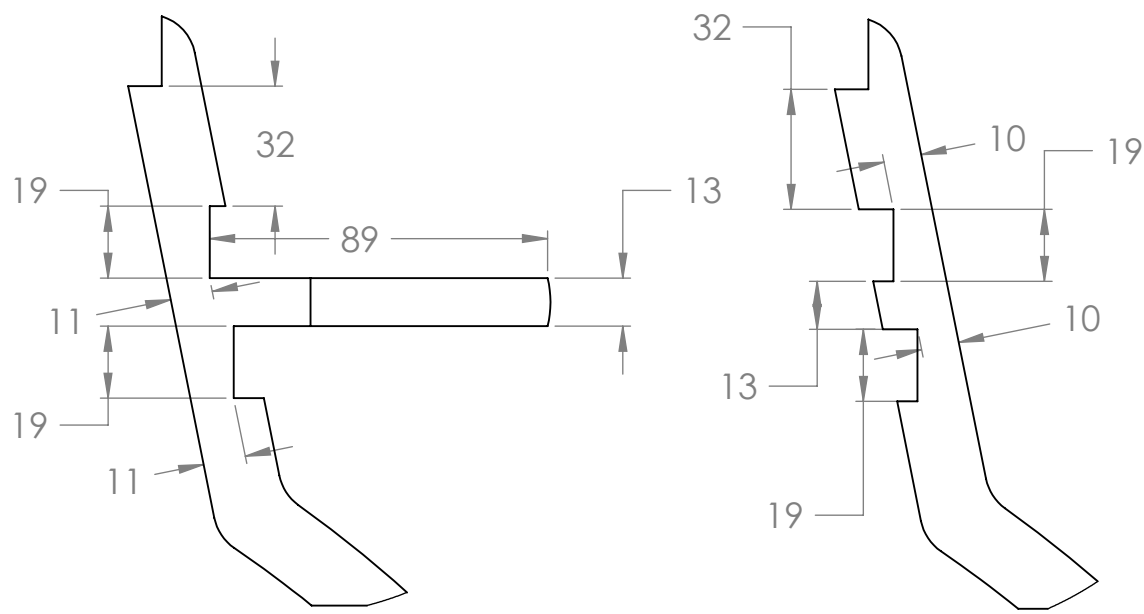
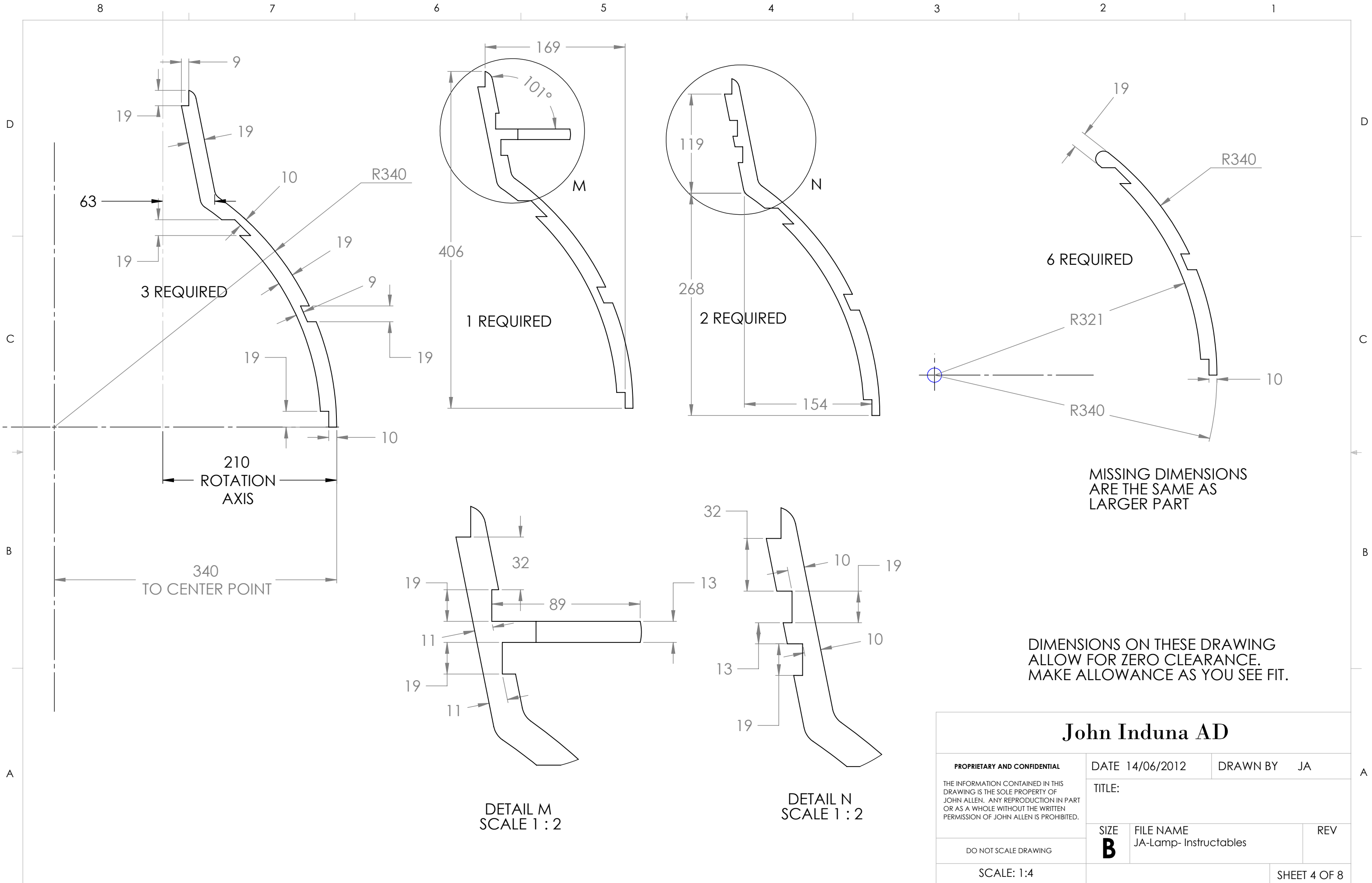
DIMENSIONS ON THESE DRAWING  
ALLOW FOR ZERO CLEARANCE.  
MAKE ALLOWANCE AS YOU SEE FIT.

### John Induna AD

<b>PROPRIETARY AND CONFIDENTIAL</b> <small>THE INFORMATION CONTAINED IN THIS DRAWING IS THE SOLE PROPERTY OF JOHN ALLEN. ANY REPRODUCTION IN PART OR AS A WHOLE WITHOUT THE WRITTEN PERMISSION OF JOHN ALLEN IS PROHIBITED.</small>	DATE 14/06/2012	DRAWN BY JA
	TITLE:	
DO NOT SCALE DRAWING	SIZE <b>B</b> FILE NAME JA-Lamp- Instructables	REV
SCALE: 1:6	SHEET 3 OF 8	

8 7 6 5 4 3 2 1

NAME



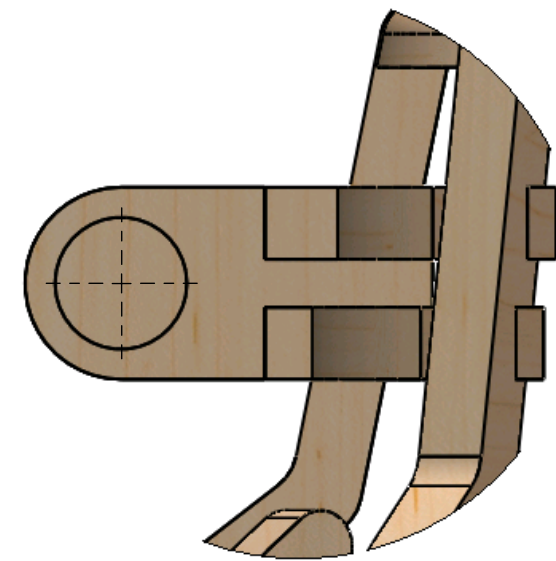
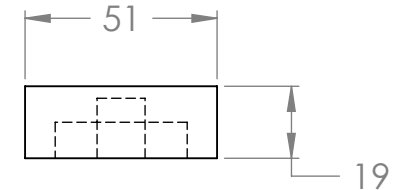
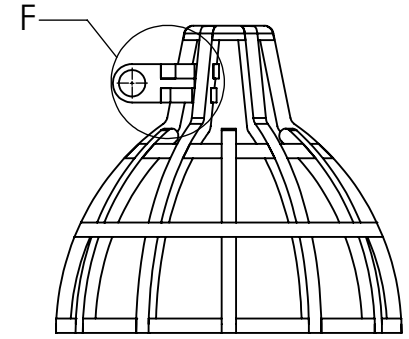
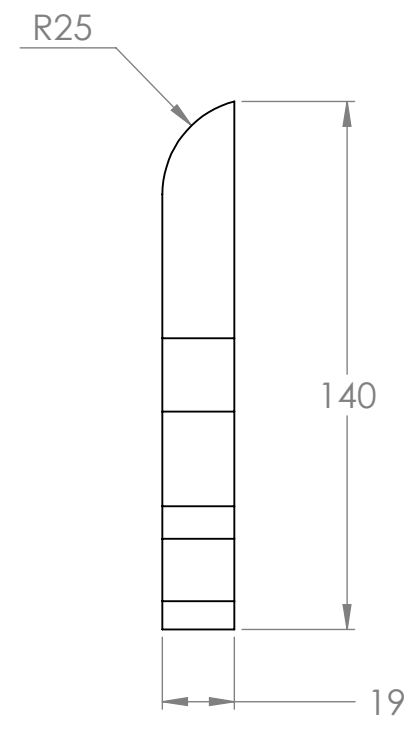
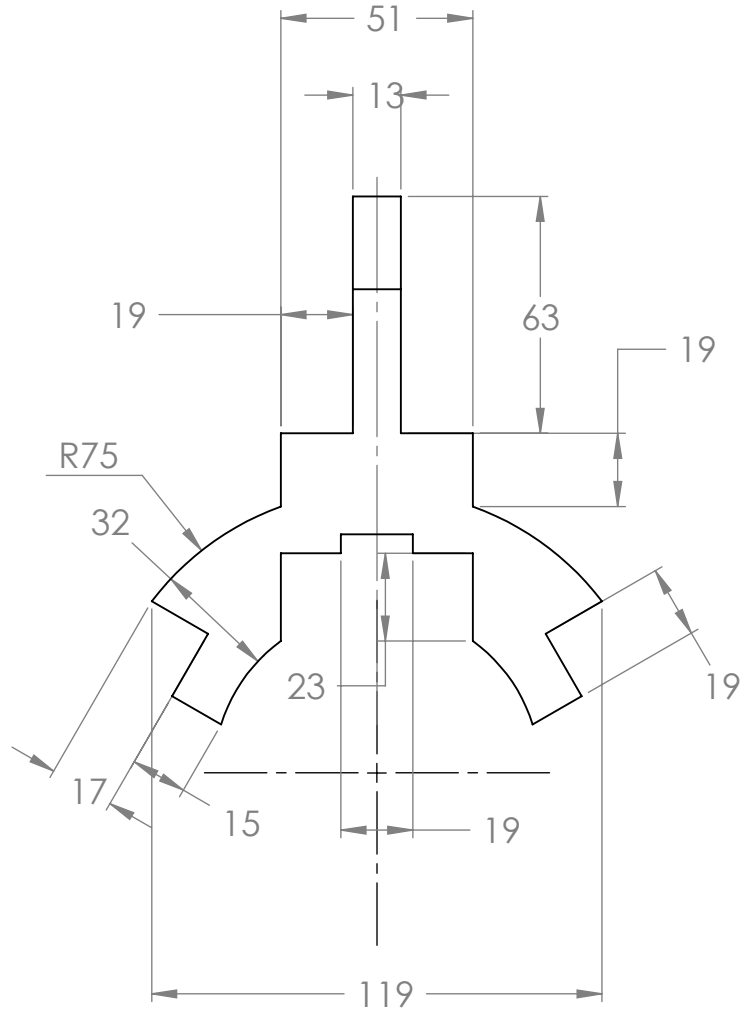
DIMENSIONS ON THESE DRAWING  
ALLOW FOR ZERO CLEARANCE.  
MAKE ALLOWANCE AS YOU SEE FIT.

### John Induna AD

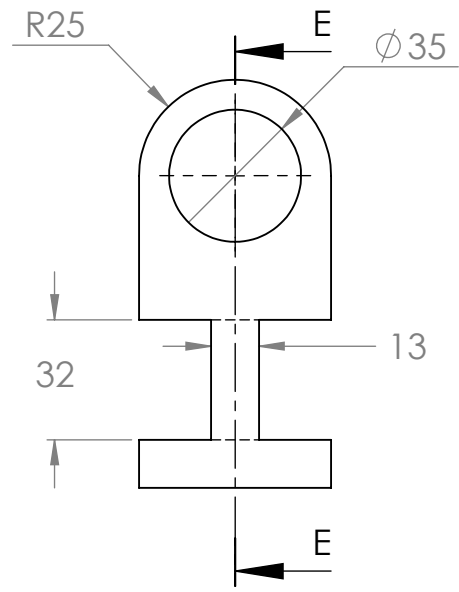
<b>PROPRIETARY AND CONFIDENTIAL</b> <small>THE INFORMATION CONTAINED IN THIS DRAWING IS THE SOLE PROPERTY OF JOHN ALLEN. ANY REPRODUCTION IN PART OR AS A WHOLE WITHOUT THE WRITTEN PERMISSION OF JOHN ALLEN IS PROHIBITED.</small>	DATE 14/06/2012	DRAWN BY JA
	TITLE:	
DO NOT SCALE DRAWING	SIZE <b>B</b> FILE NAME JA-Lamp- Instructables	REV
SCALE: 1:4	SHEET 4 OF 8	

8 7 6 5 4 3 2 1

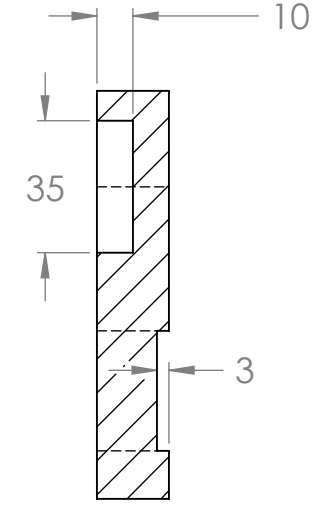
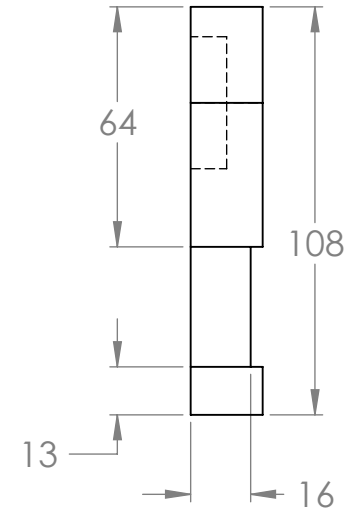
D  
C  
B  
A



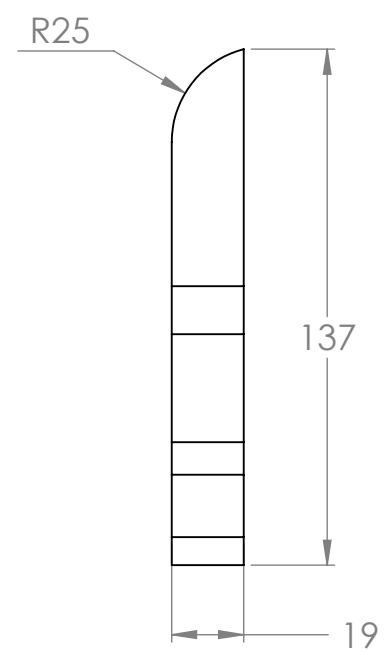
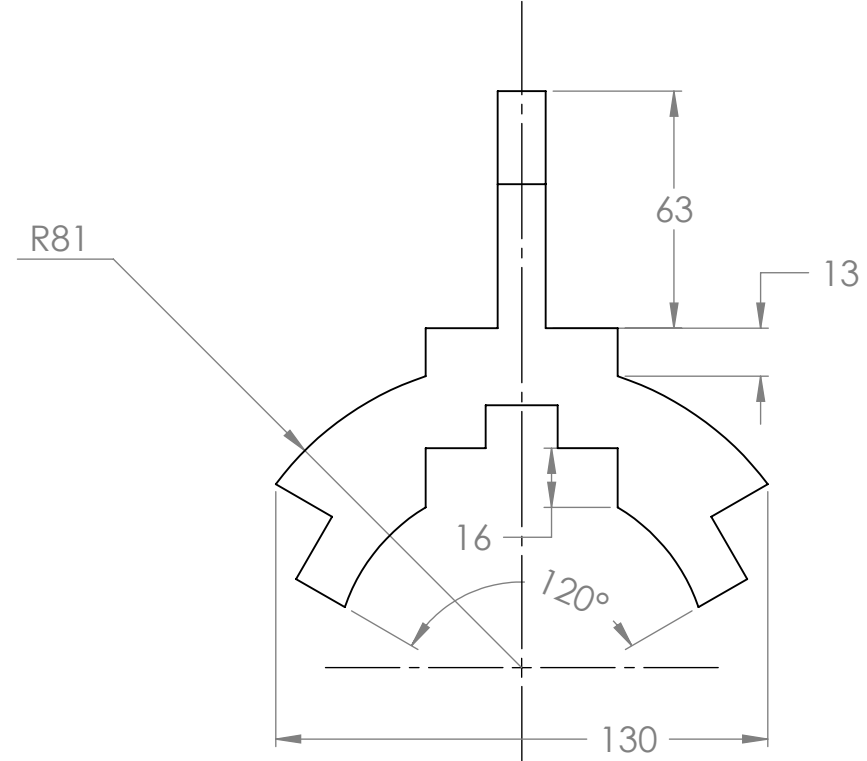
DETAIL F



2 REQUIRED



SECTION E-E



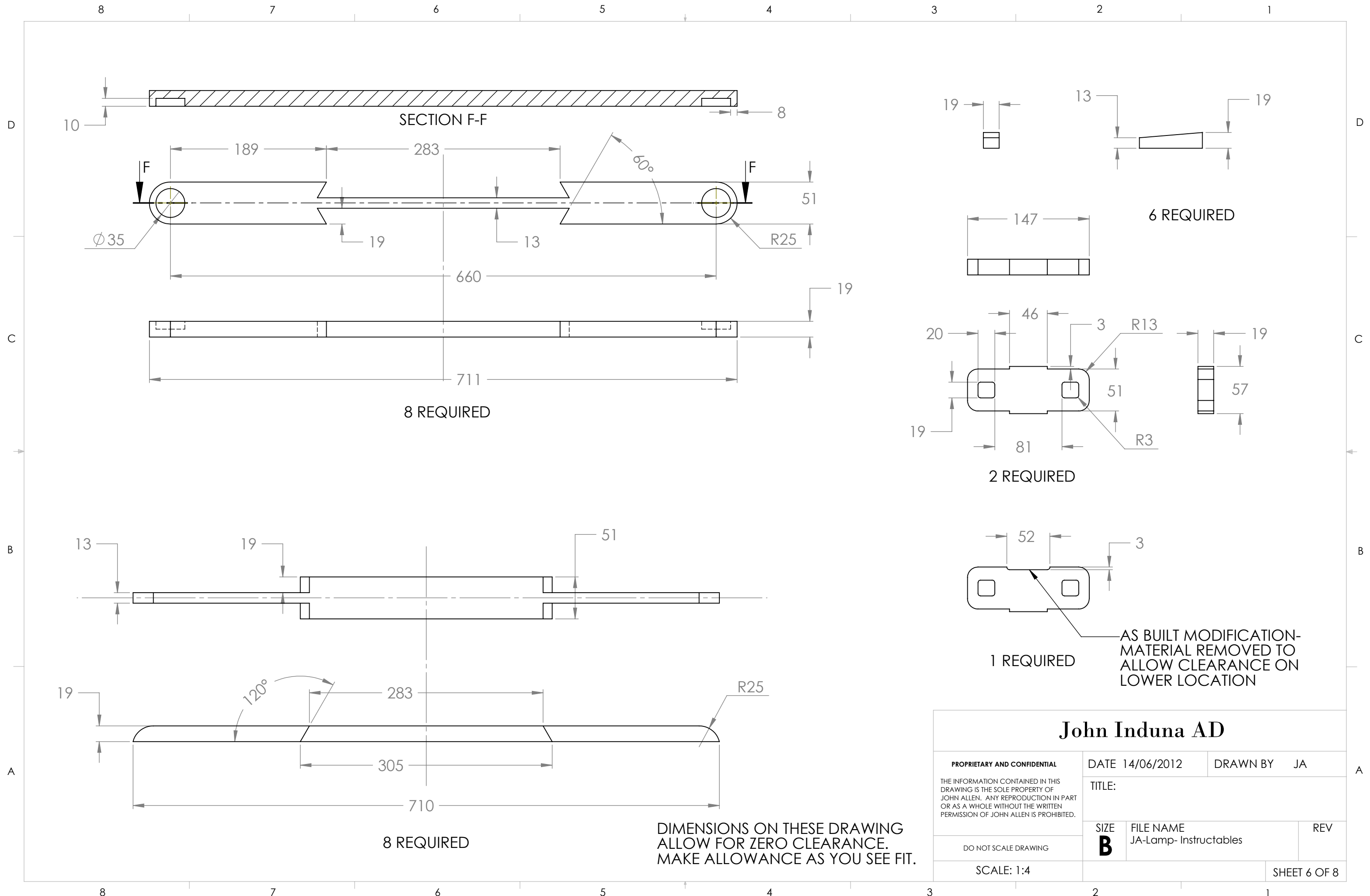
DIMENSIONS ON THESE DRAWING  
ALLOW FOR ZERO CLEARANCE.  
MAKE ALLOWANCE AS YOU SEE FIT.

### John Induna AD

<b>PROPRIETARY AND CONFIDENTIAL</b> <small>THE INFORMATION CONTAINED IN THIS DRAWING IS THE SOLE PROPERTY OF JOHN ALLEN. ANY REPRODUCTION IN PART OR AS A WHOLE WITHOUT THE WRITTEN PERMISSION OF JOHN ALLEN IS PROHIBITED.</small>	DATE 14/06/2012	DRAWN BY JA
	TITLE:	
DO NOT SCALE DRAWING	SIZE <b>B</b> FILE NAME JA-Lamp- Instructables	REV
SCALE: 1:2	SHEET 5 OF 8	

8 7 6 5 4 3 2 1

NAME



SECTION F-F

8 REQUIRED

2 REQUIRED

1 REQUIRED

6 REQUIRED

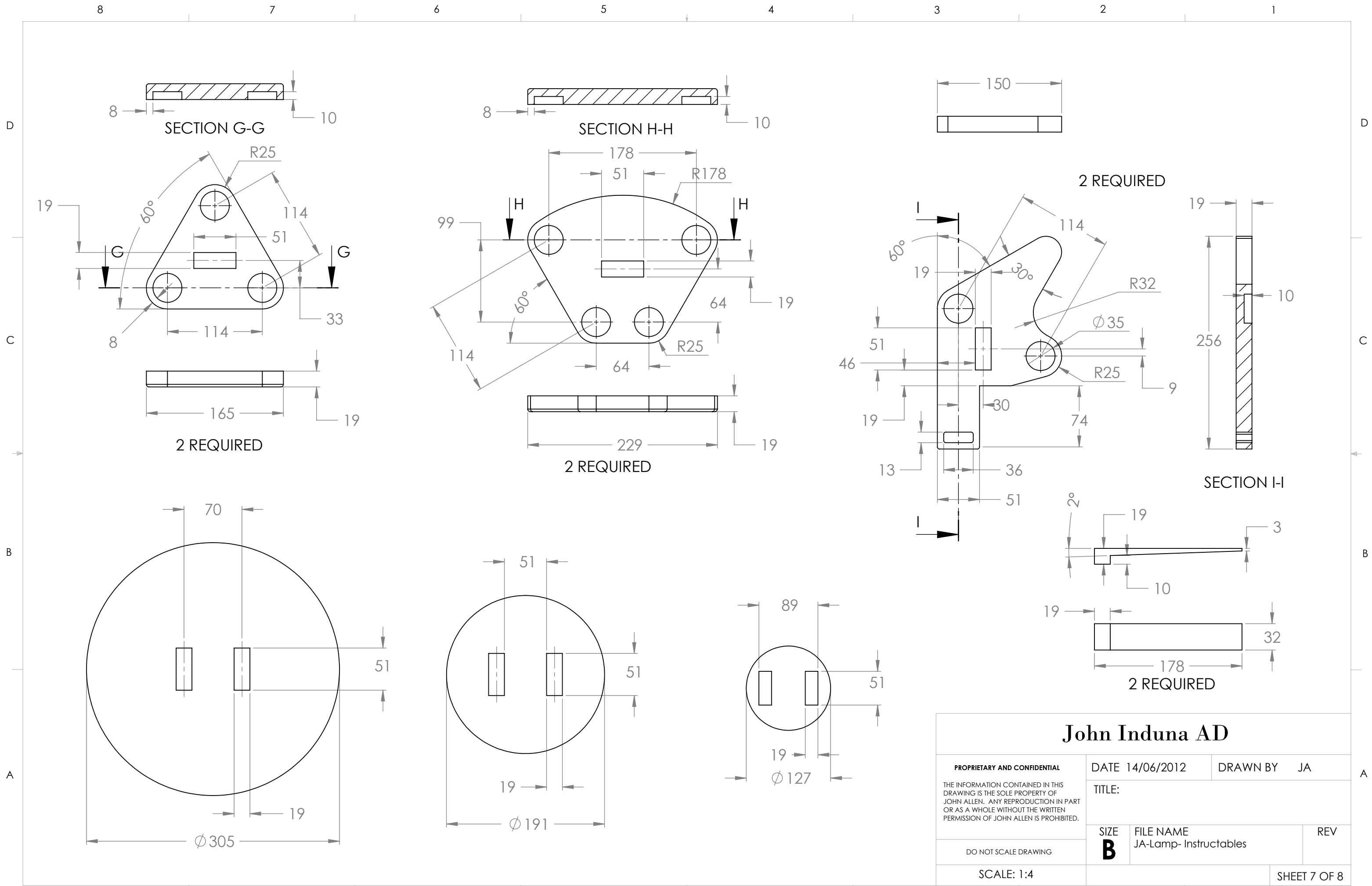
8 REQUIRED

DIMENSIONS ON THESE DRAWING  
ALLOW FOR ZERO CLEARANCE.  
MAKE ALLOWANCE AS YOU SEE FIT.

### John Induna AD

<b>PROPRIETARY AND CONFIDENTIAL</b> <small>THE INFORMATION CONTAINED IN THIS DRAWING IS THE SOLE PROPERTY OF JOHN ALLEN. ANY REPRODUCTION IN PART OR AS A WHOLE WITHOUT THE WRITTEN PERMISSION OF JOHN ALLEN IS PROHIBITED.</small>	DATE 14/06/2012	DRAWN BY JA
	TITLE:	
DO NOT SCALE DRAWING	SIZE <b>B</b>	FILE NAME JA-Lamp- Instructables
SCALE: 1:4		REV
		SHEET 6 OF 8

AS BUILT MODIFICATION-  
MATERIAL REMOVED TO  
ALLOW CLEARANCE ON  
LOWER LOCATION



# John Induna AD

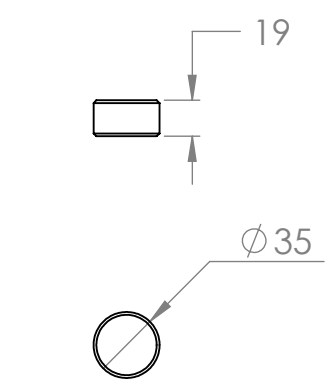
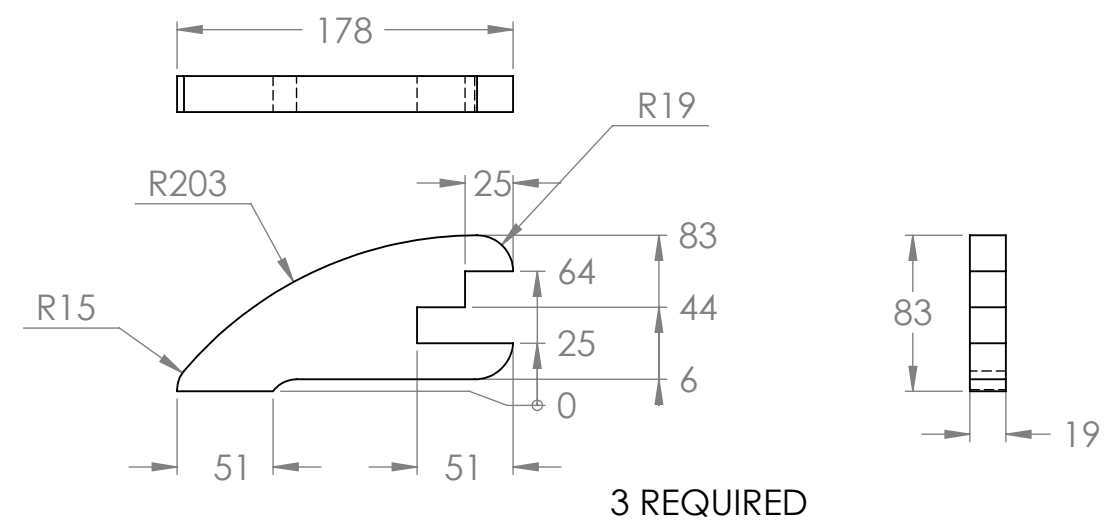
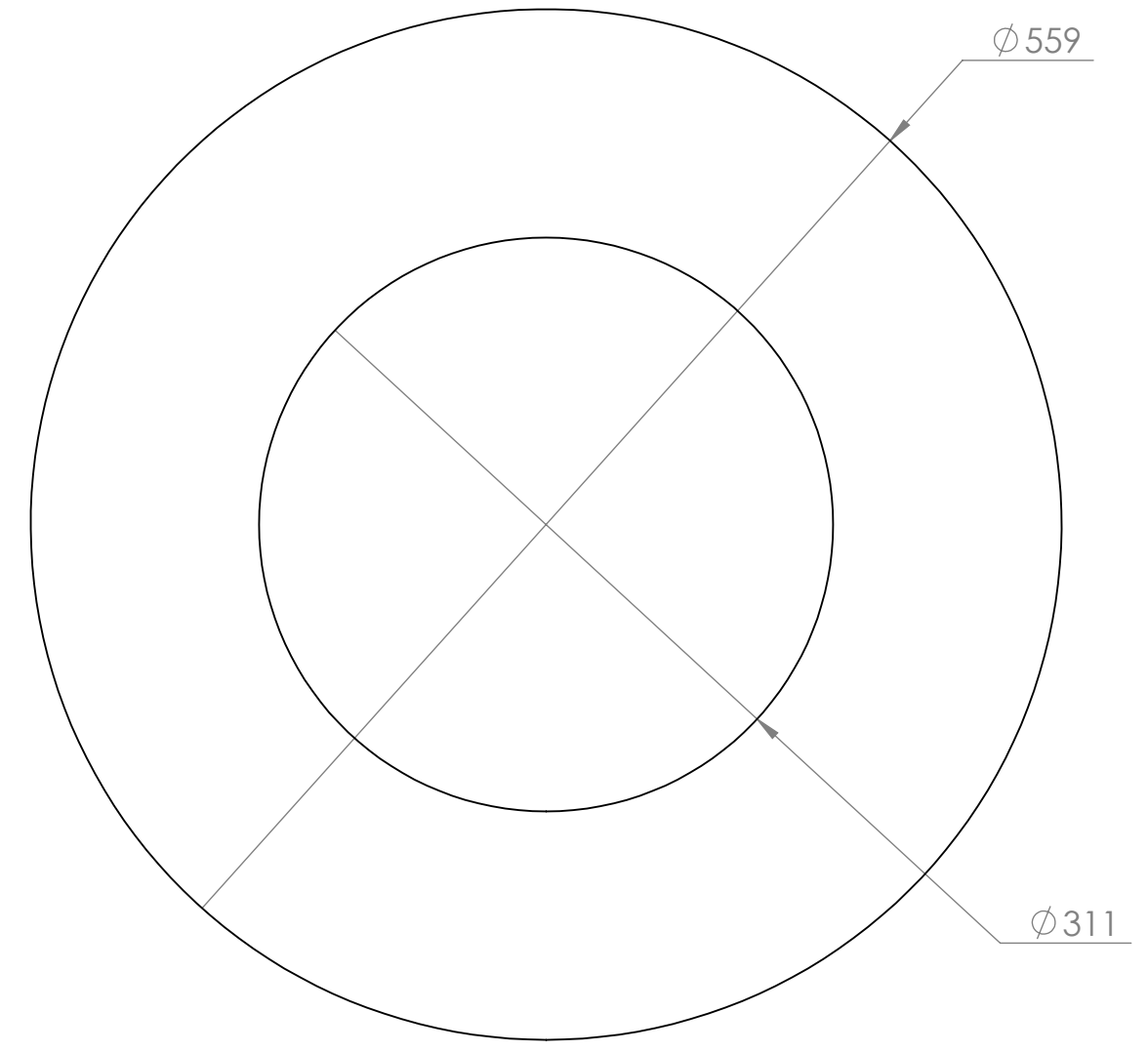
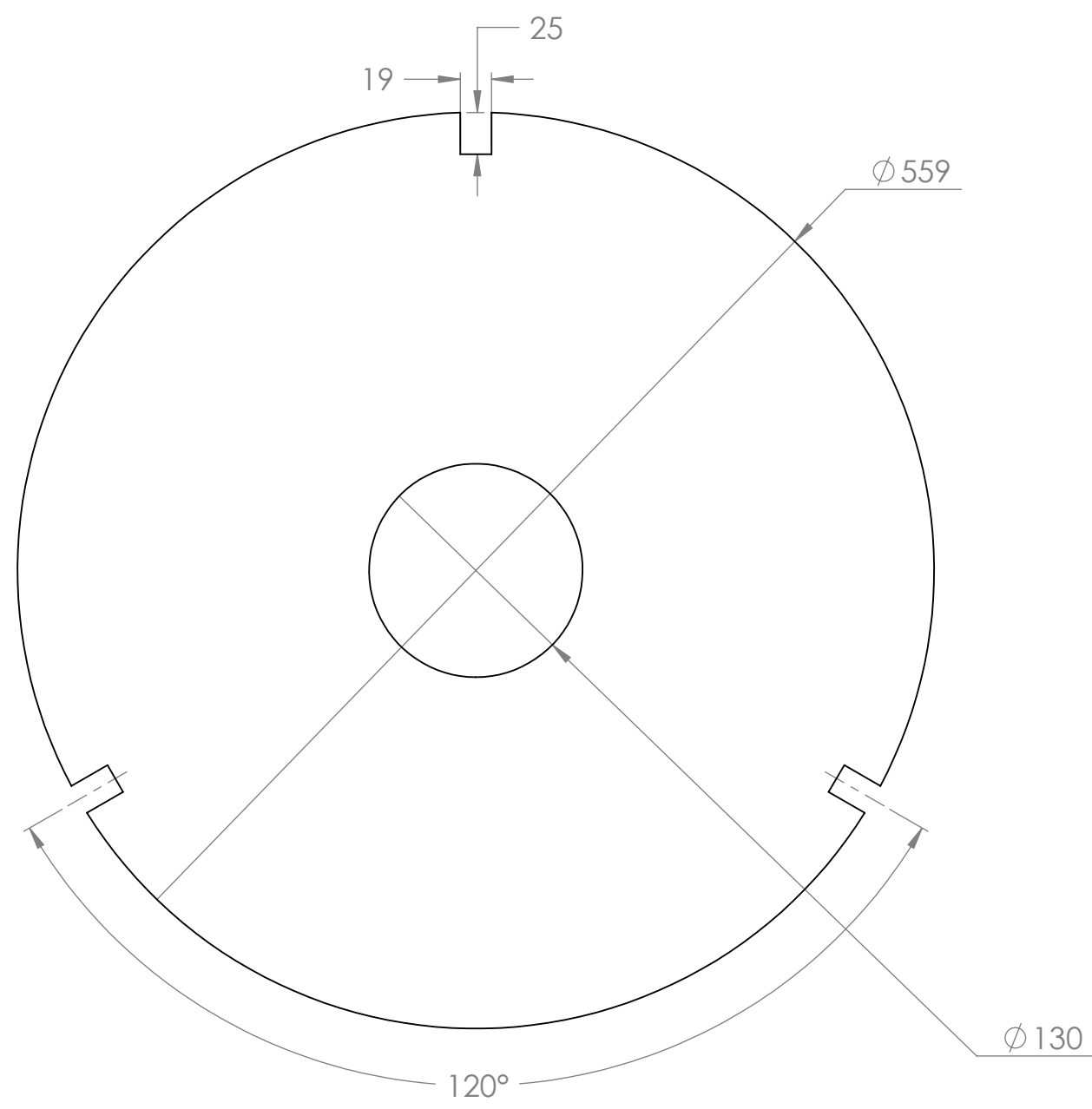
<b>PROPRIETARY AND CONFIDENTIAL</b> <small>THE INFORMATION CONTAINED IN THIS DRAWING IS THE SOLE PROPERTY OF JOHN ALLEN. ANY REPRODUCTION IN PART OR AS A WHOLE WITHOUT THE WRITTEN PERMISSION OF JOHN ALLEN IS PROHIBITED.</small>	DATE 14/06/2012	DRAWN BY JA
	TITLE:	
DO NOT SCALE DRAWING	SIZE <b>B</b> FILE NAME JA-Lamp- Instructables	REV
SCALE: 1:4	SHEET 7 OF 8	

NAME

8 7 6 5 4 3 2 1

D  
C  
B  
A

D  
C  
B  
A



<p><b>John Induna AD</b></p> <p>PROPRIETARY AND CONFIDENTIAL</p> <p>THE INFORMATION CONTAINED IN THIS DRAWING IS THE SOLE PROPERTY OF JOHN ALLEN. ANY REPRODUCTION IN PART OR AS A WHOLE WITHOUT THE WRITTEN PERMISSION OF JOHN ALLEN IS PROHIBITED.</p>		DATE 14/06/2012	DRAWN BY JA
		TITLE:	
DO NOT SCALE DRAWING	SIZE <b>B</b>	FILE NAME JA-Lamp- Instructables	REV
SCALE: 1:4			SHEET 8 OF 8

8 7 6 5 4 3 2 1

NAME