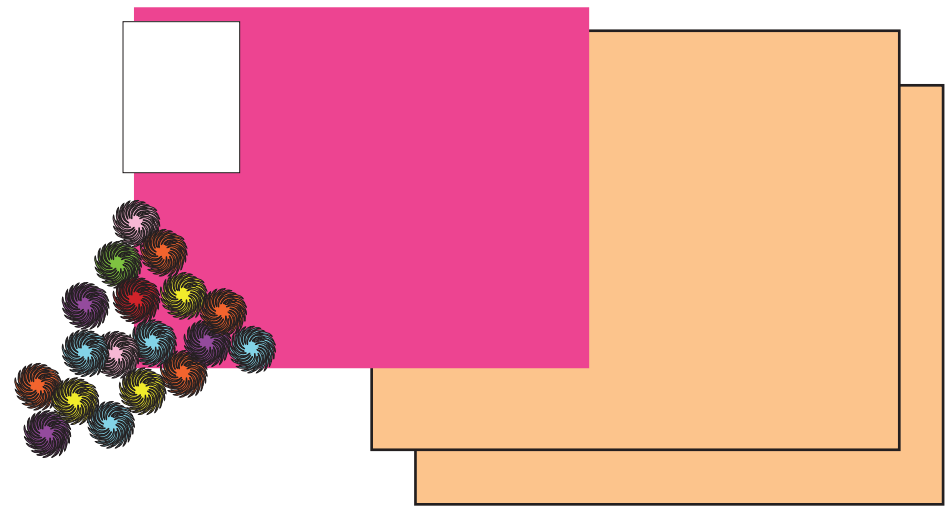




TAKE & MAKERSPACE

DESIGN ART CIRCUITS ENGINEERING TAKE LEARN SCIENCE CREATE PROJECTS CREATIMTY MAKE STEM HOME
 CRAFTDESIGN ART CIRCUITS ENGINEERING TAKE LEARN SCIENCE CREATE PROJECTS CREATIMTY MAKE STEM
 HOME CRAFT DESIGN ART CIRCUITS ENGINEERING TAKE LEARN SCIENCE CREATE PROJECTS CREATIMTY MAKE

NO SEW! POP TART PILLOW jelly filled edition

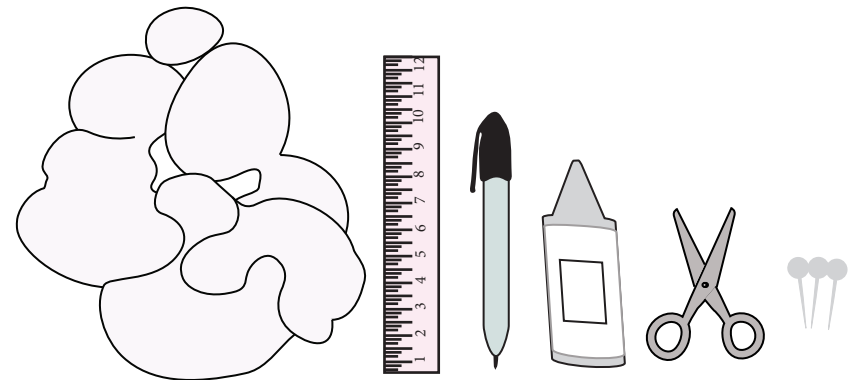


SUPPLIES IN KIT:

- 2 pieces of beige felt (21"H x 27"W-crust)
- 1 piece of pink felt (18"H X 23.5"W-frosting)
- 1 sm. piece of white felt (top frosting)
- Rainbow Pom Poms
- hot glue gun

SUPPLIES YOU WILL NEED:

- Polyester stuffing/Pillow
- Ruler/measuring tape
- Marker/pencil
- Fabric scissors
- Straight pins



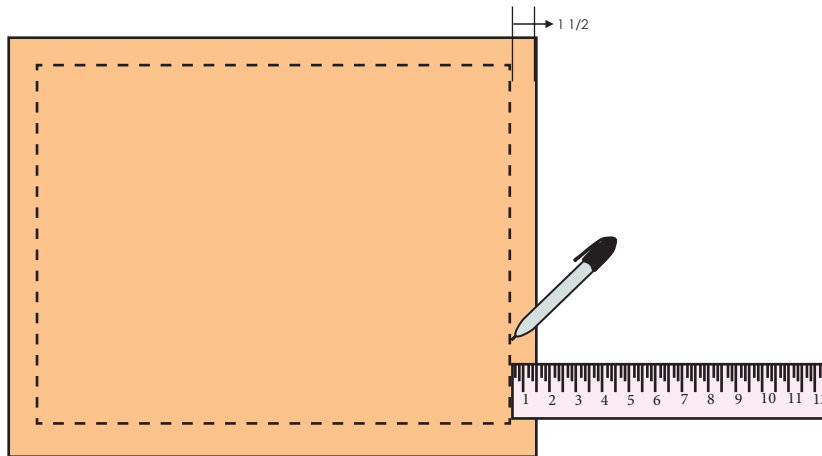


TAKE & MAKERSPACE

DESIGN ART CIRCUITS ENGINEERING TAKE LEARN SCIENCE CREATE PROJECTS CREATIMTY MAKE STEM HOME
 CRAFTDESIGN ART CIRCUITS ENGINEERING TAKE LEARN SCIENCE CREATE PROJECTS CREATIMTY MAKE STEM
 HOME CRAFT DESIGN ART CIRCUITS ENGINEERING TAKE LEARN SCIENCE CREATE PROJECTS CREATIMTY MAKE

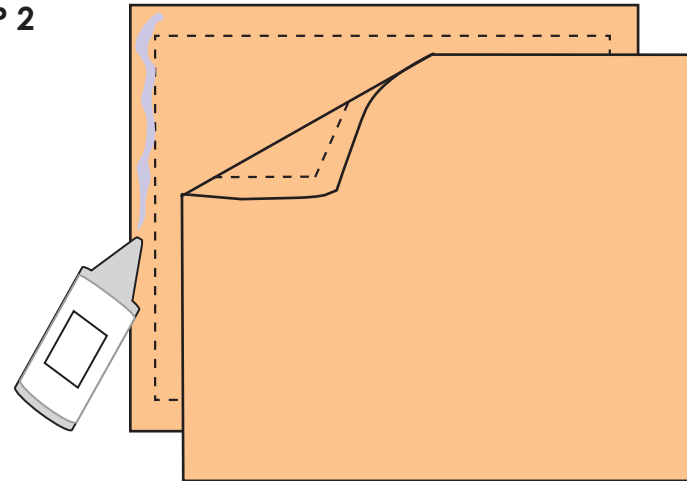
NO SEW! POP TART PILLOW jelly filled edition

STEP 1



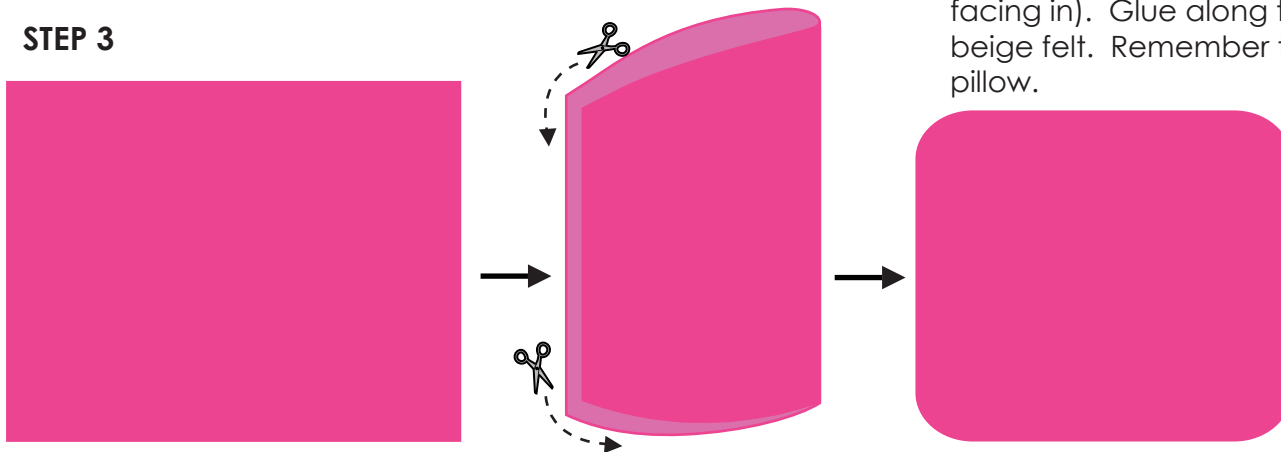
Measure and draw out a 1 1/2" guide around both pieces of "crust" beige felt.

STEP 2



Place the two beige felt rectangles facing in (marker measurements facing in). Glue along the 1 1/2" guide on three sides of the "crust" beige felt. Remember to leave one side open so you can stuff your pillow.

STEP 3



STEP 3

Fold the "frosting" pink felt in half. Cut and round off the two square corners on the opposite side of the folded edge. Do not cut on the folded edge. Once you have cut and unfolded the pink felt it should look like the third image on the left.

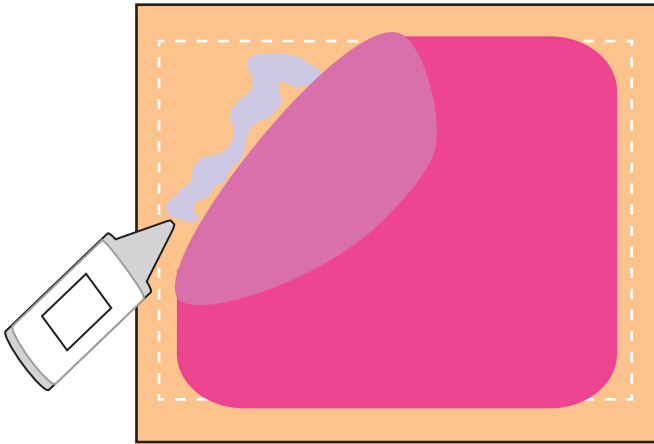


TAKE & MAKERSPACE

DESIGN ART CIRCUITS ENGINEERING TAKE LEARN SCIENCE CREATE PROJECTS CREATIMTY MAKE STEM HOME
CRAFTDESIGN ART CIRCUITS ENGINEERING TAKE LEARN SCIENCE CREATE PROJECTS CREATIMTY MAKE STEM
HOME CRAFT DESIGN ART CIRCUITS ENGINEERING TAKE LEARN SCIENCE CREATE PROJECTS CREATIMTY MAKE

NO SEW! POP TART PILLOW jelly filled edition

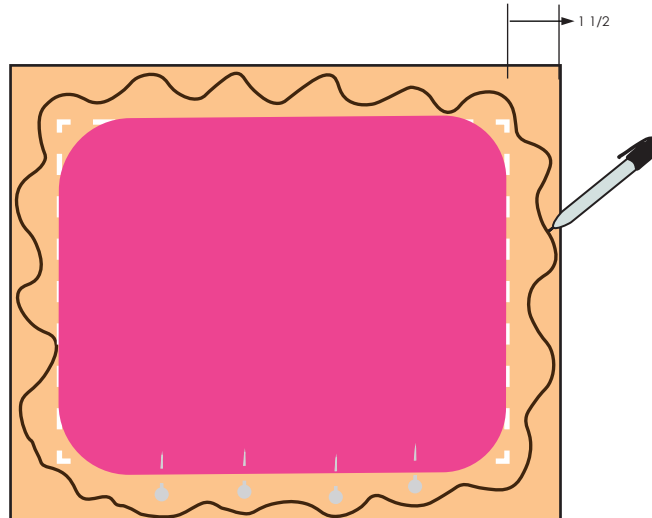
STEP 4



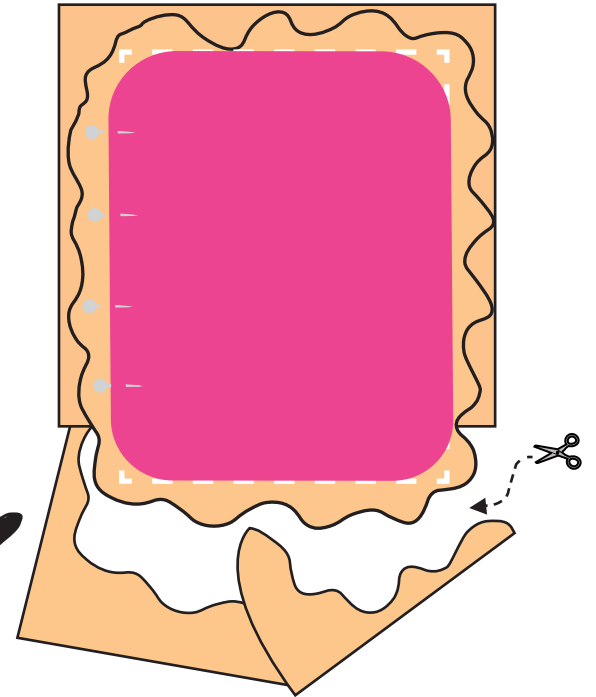
Glue the pink felt "frosting" to the top of the "crust" beige felt. Try to center the pink felt as best as you can.

STEP 5

On the beige felt, draw a wavy line near the edge of the rectangle that looks like the shape of pop tart crust.



STEP 6



Follow and cut around the wavy line, stay near the edge of the rectangle.
Tip Pin the side that is not glued together so it does not move around while you cut the felt.

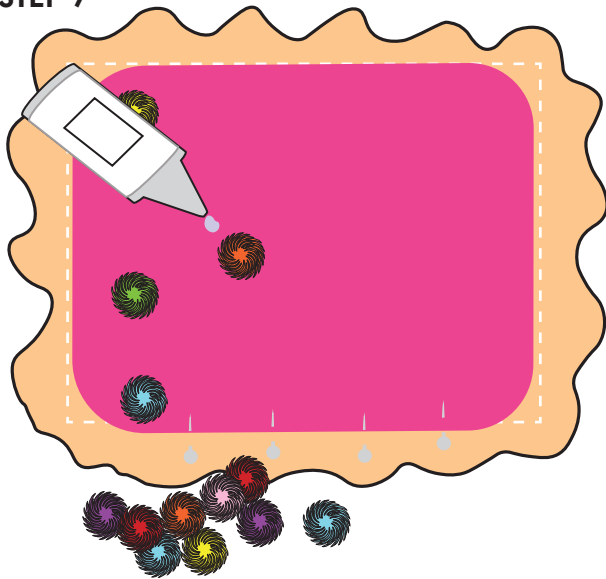


TAKE & MAKERSPACE

DESIGN ART CIRCUITS ENGINEERING TAKE LEARN SCIENCE CREATE PROJECTS CREATIMTY MAKE STEM HOME
CRAFTDESIGN ART CIRCUITS ENGINEERING TAKE LEARN SCIENCE CREATE PROJECTS CREATIMTY MAKE STEM
HOME CRAFT DESIGN ART CIRCUITS ENGINEERING TAKE LEARN SCIENCE CREATE PROJECTS CREATIMTY MAKE

NO SEW! POP TART PILLOW jelly filled edition

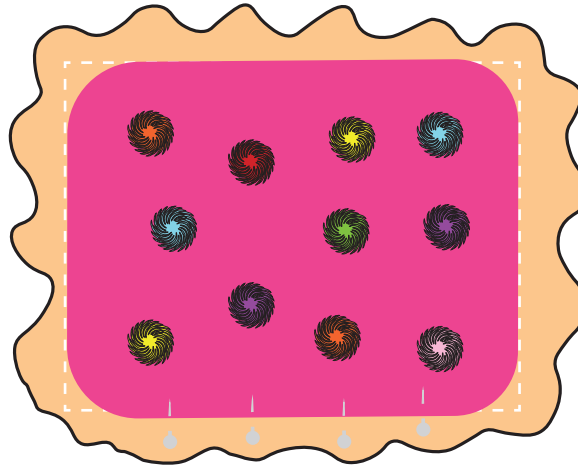
STEP 7



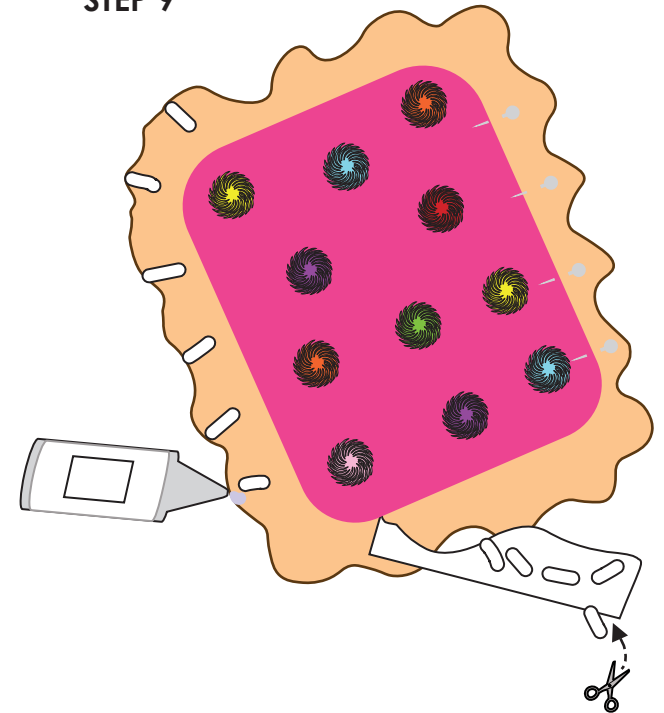
Glue the Pom poms on to the top "frosting" of your pop tart. A hot glue gun may do a better job for this task.

STEP 8

The top surface of the pop tart should look like the image below.



STEP 9



Cut out thick lines or triangles from the scrap piece of your white felt. Glue the pieces along the wavy border of the beige felt, these are fork marks that you see on pop tart pastries. Yummy!



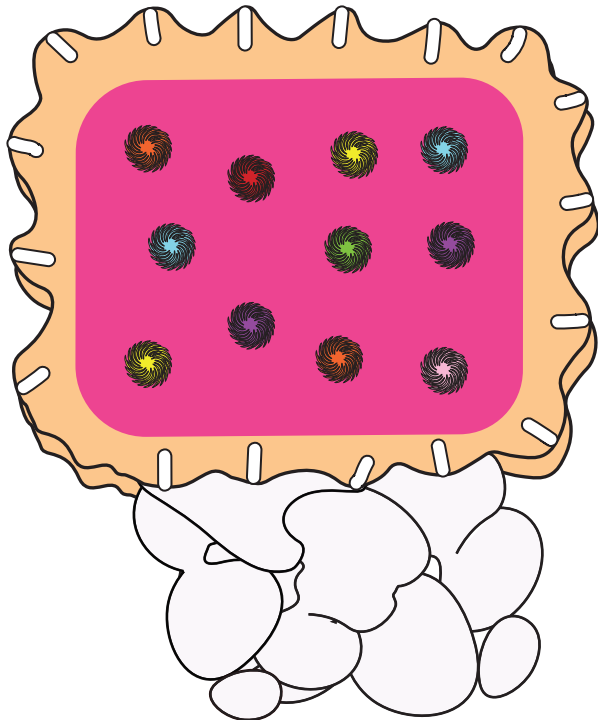
TAKE & MAKERSPACE

DESIGN ART CIRCUITS ENGINEERING TAKE LEARN SCIENCE CREATE PROJECTS CREATIMTY MAKE STEM HOME
CRAFTDESIGN ART CIRCUITS ENGINEERING TAKE LEARN SCIENCE CREATE PROJECTS CREATIMTY MAKE STEM
HOME CRAFT DESIGN ART CIRCUITS ENGINEERING TAKE LEARN SCIENCE CREATE PROJECTS CREATIMTY MAKE

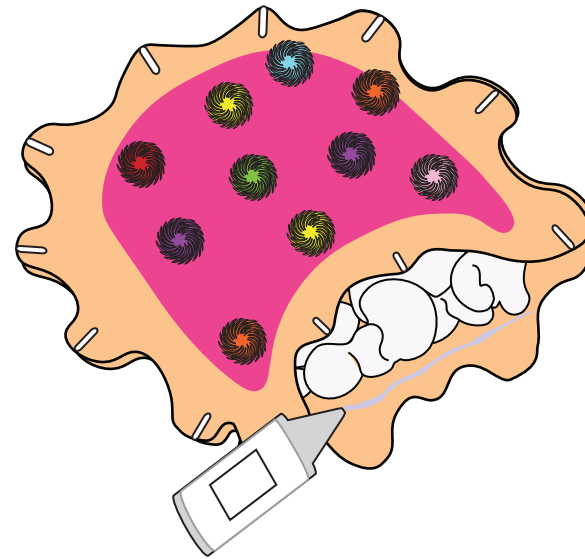
NO SEW! POP TART PILLOW jelly filled edition

STEP 10

It is time to fill the pop tart with stuffing!! Remove the pins, fill up and stuff the felt with stuffing or a pillow. Push stuffing into the inside corners of the pop tart.



STEP 11



Glue the final seam by lining up the two edges of the beige felt and pressing the two pieces firmly together. Make sure the stuffing is nicely tucked inside of the felt before you close the seam.

**CONGRATULATIONS!!
YOUR POP TART PILLOW IS COMPLETE.
SHARE YOUR PROJECT ON SOCIAL MEDIA
USING
HASHTAG#JOCOMAKES**