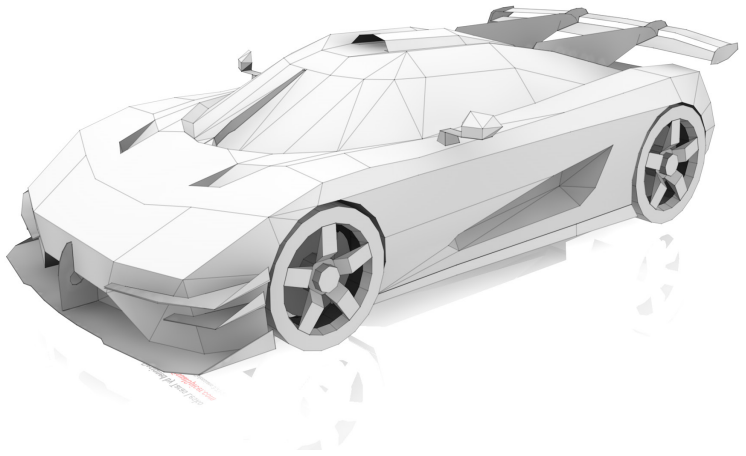


**KOENIGSEGG ONE:1**  
PAPER-MEGA-CRAFT

“Ghost”



Designed by Taras Lesko  
[visualspicer.com](http://visualspicer.com)

## Recommended Tools

- Cardstock paper
- Craft glue
- X-Acto knife
- Scissors

## Miscellaneous

- Glue only one part at a time.
- Glue only two or three tabs at a time.
- Experiment, enjoy and have fun!


## Templates

Cut line



Mountain fold line 



Valley fold line 

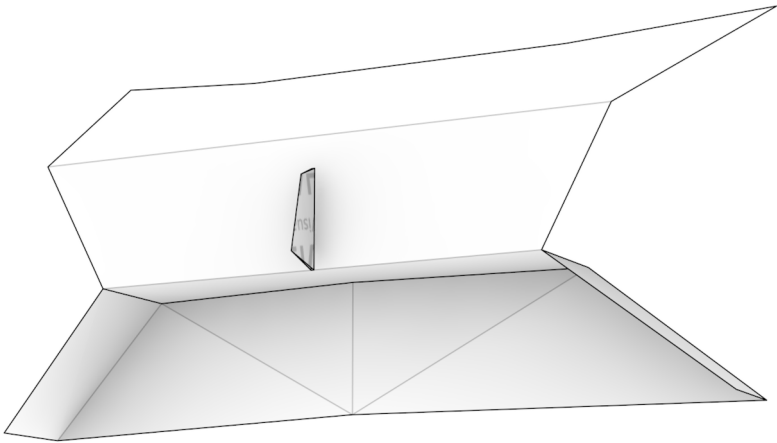
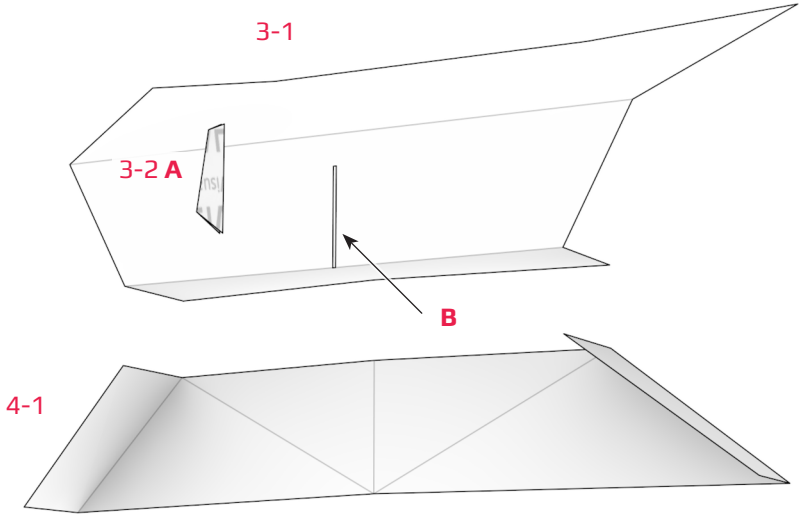


## More Info

View more details about this project at

[bit.ly/PaperOne-1](http://bit.ly/PaperOne-1)

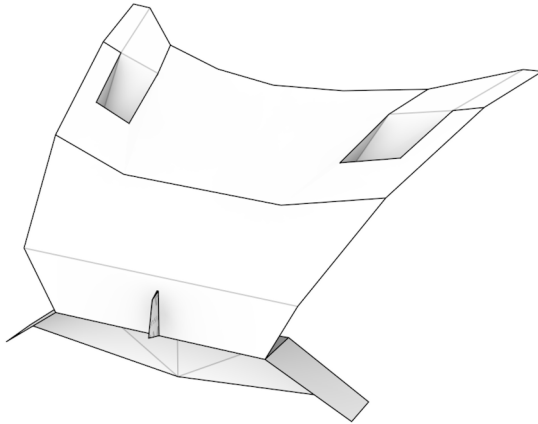
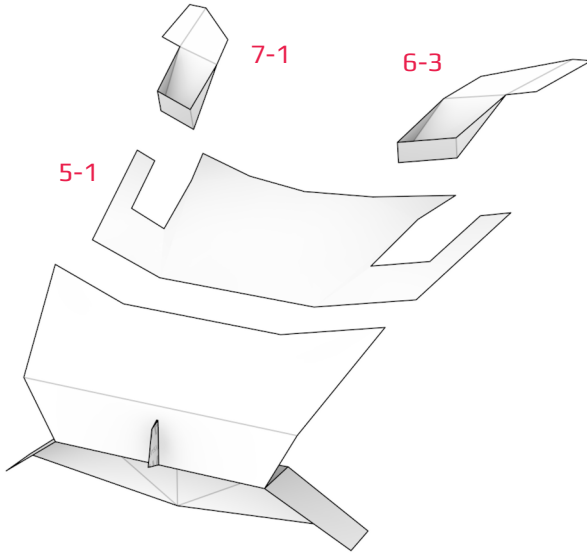
1



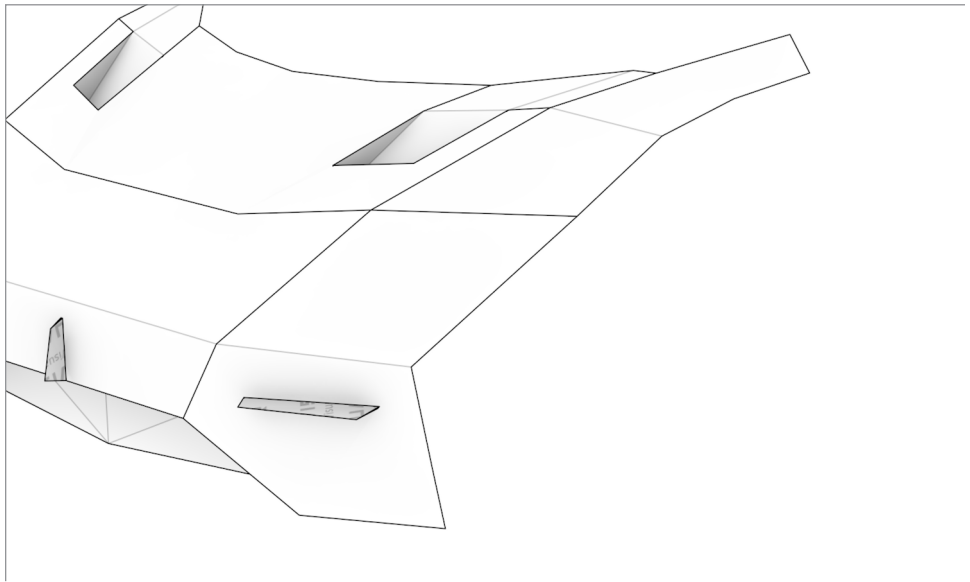
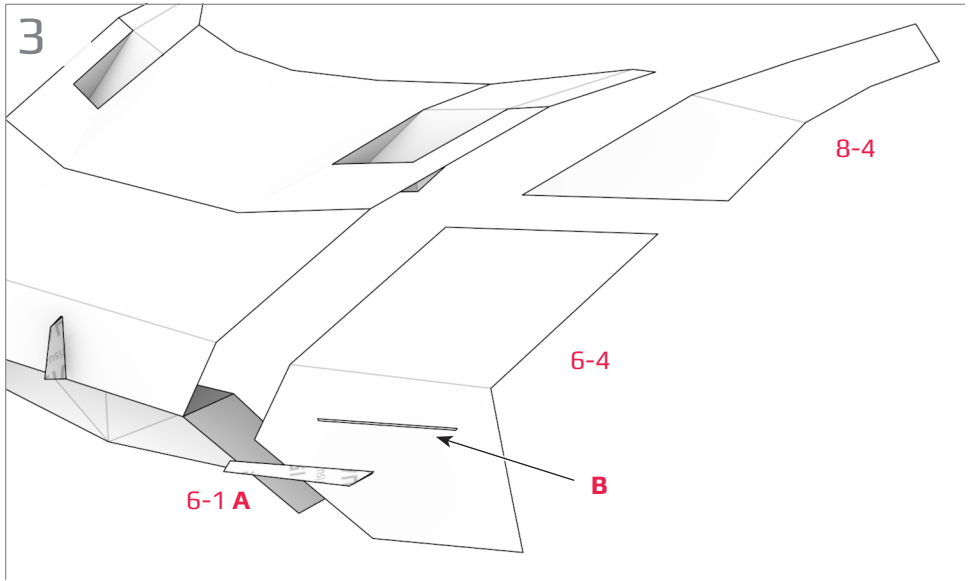
Find parts for each step by Templates page and part numbers.  
For example, 1-2 is Templates page 1, part 2.

- A:** Apply glue inside part.
- B:** Remove opening.

2

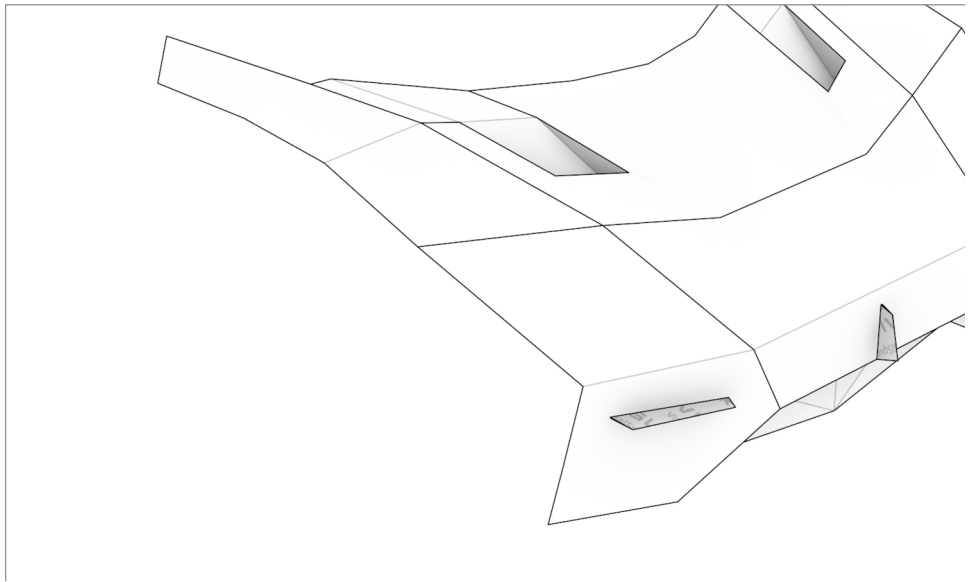
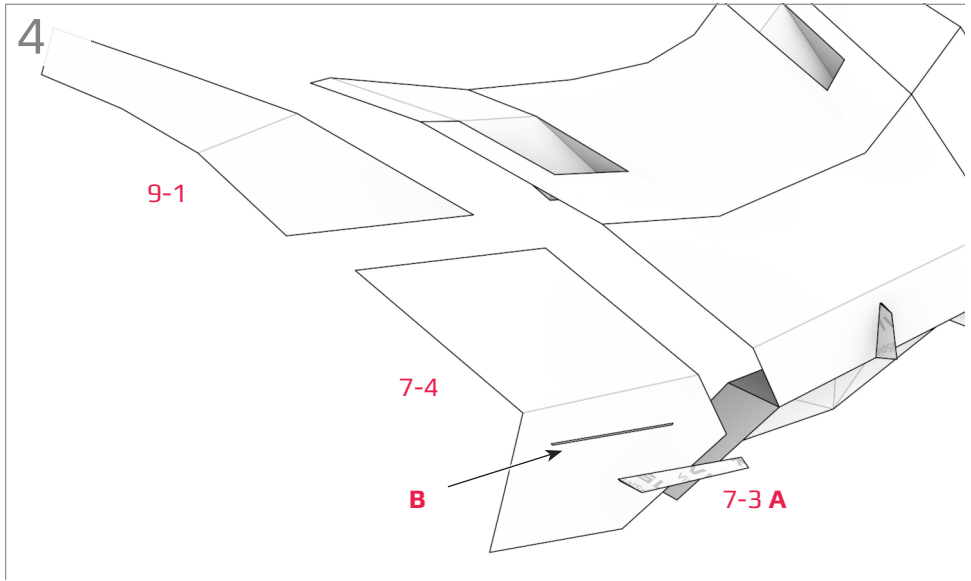




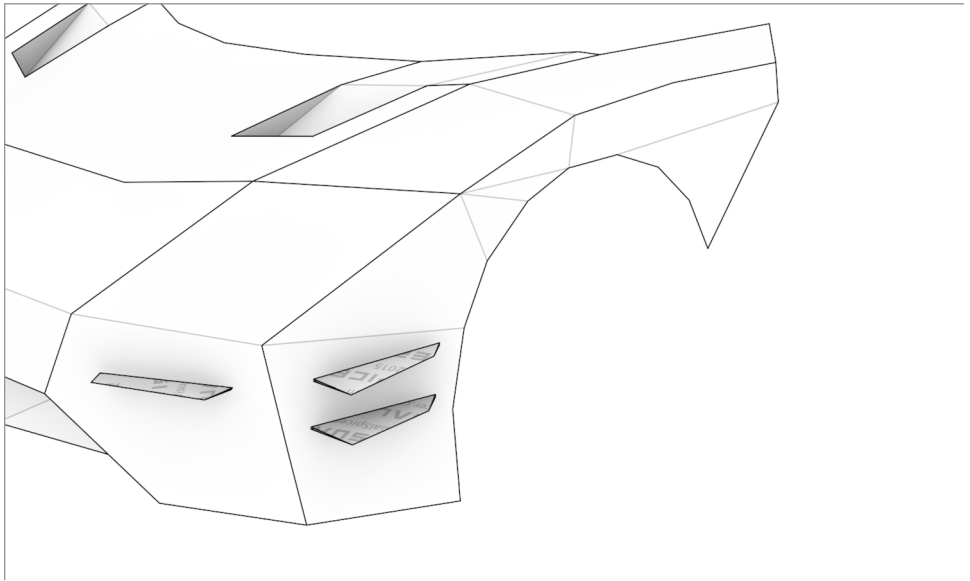
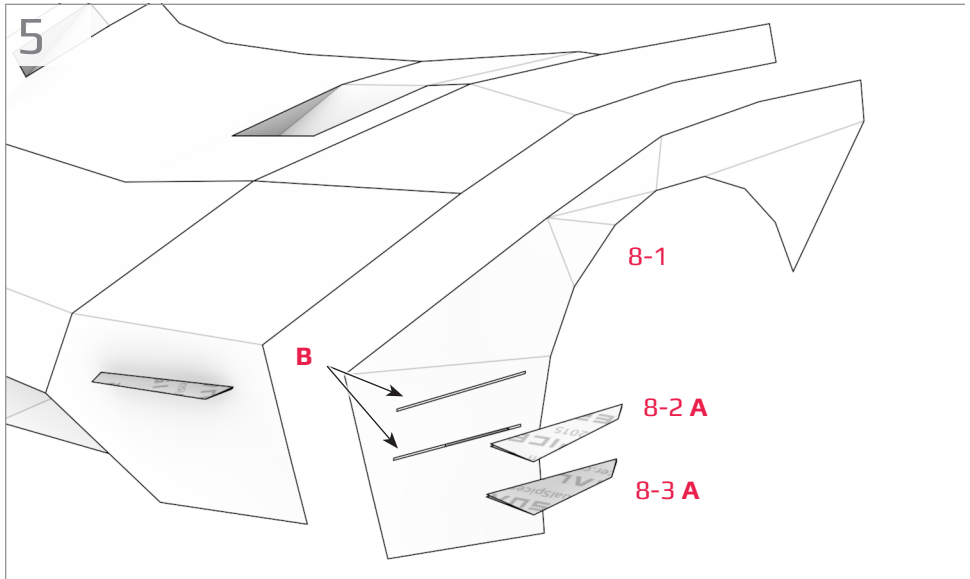


**A:** Apply glue inside part.

**B:** Remove opening.

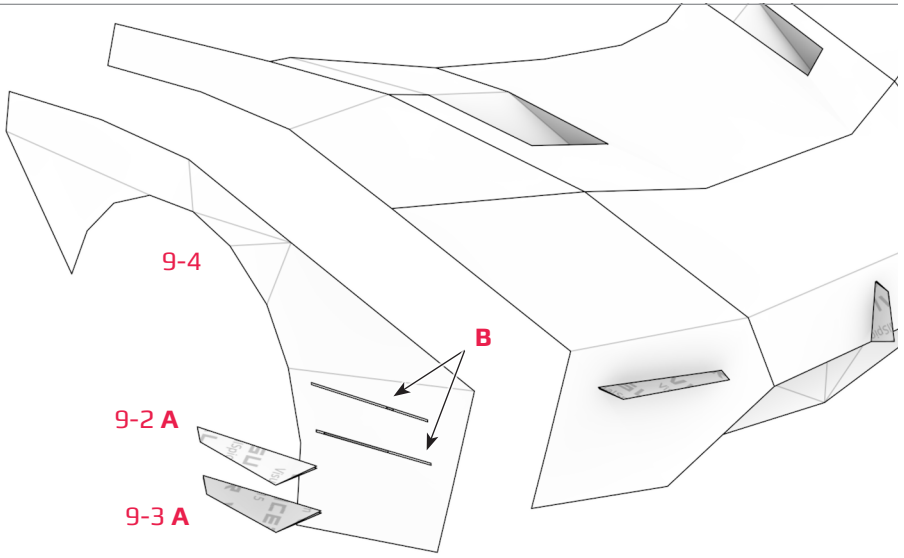


- A:** Apply glue inside part.
- B:** Remove opening.



- A:** Apply glue inside part.
- B:** Remove opening.

6

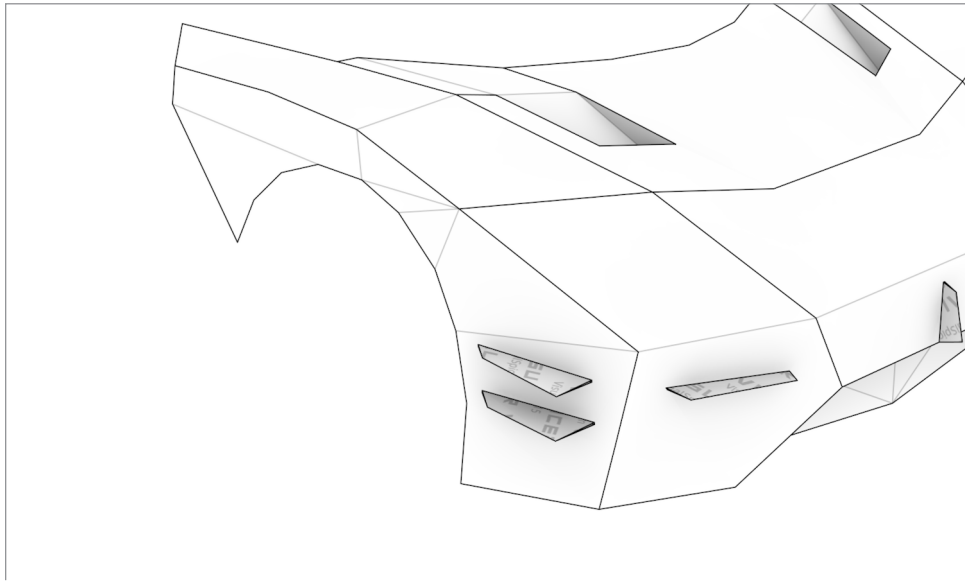


9-4

9-2 A

9-3 A

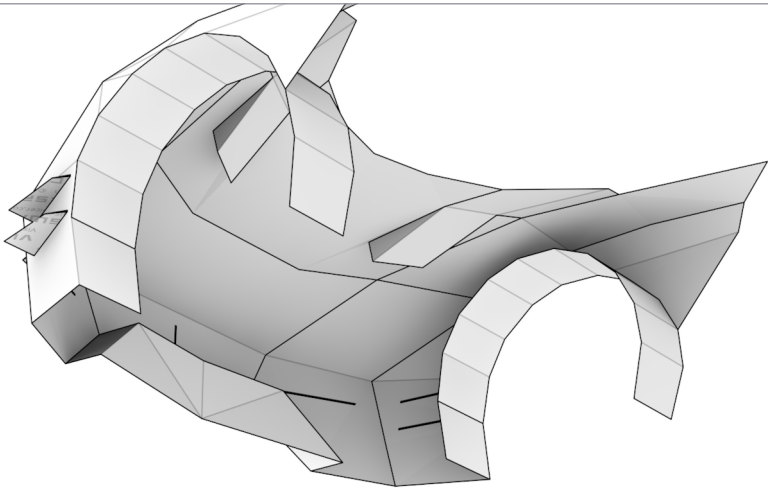
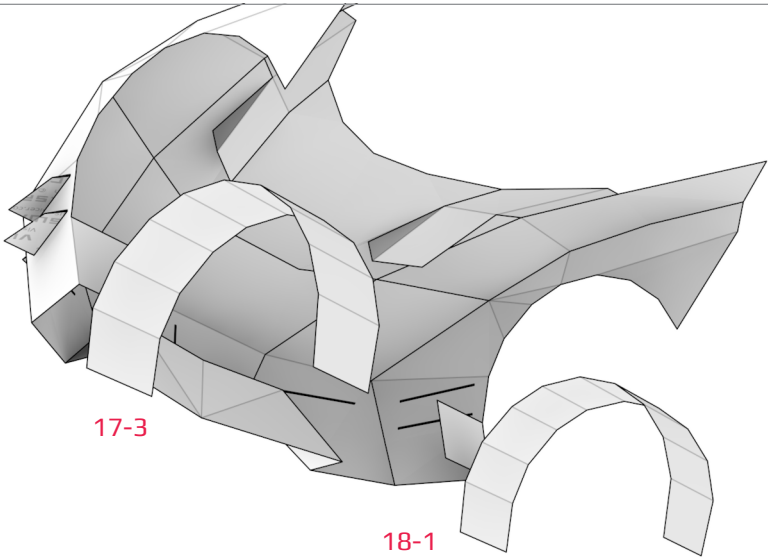
B



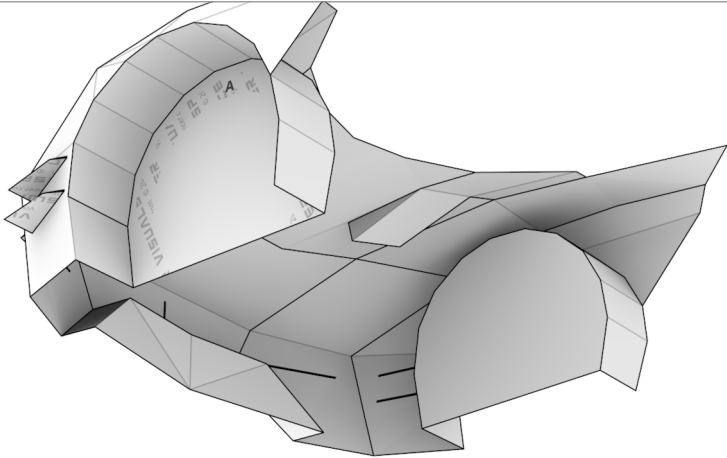
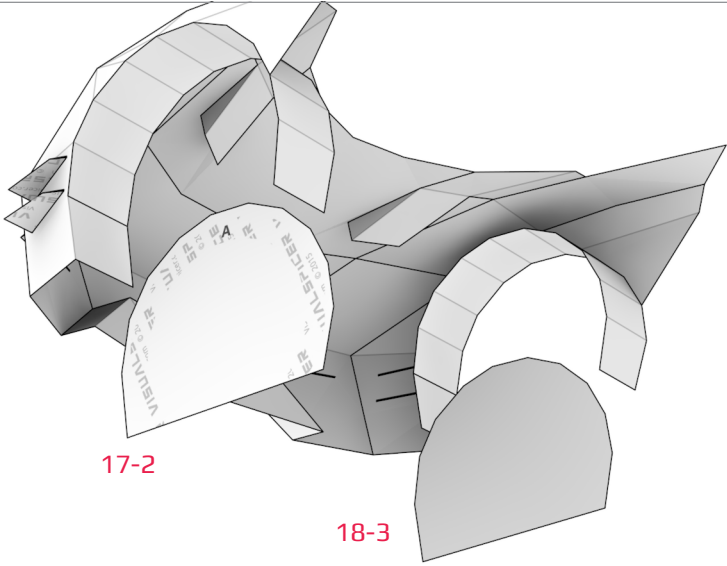
**A:** Apply glue inside part.

**B:** Remove opening.

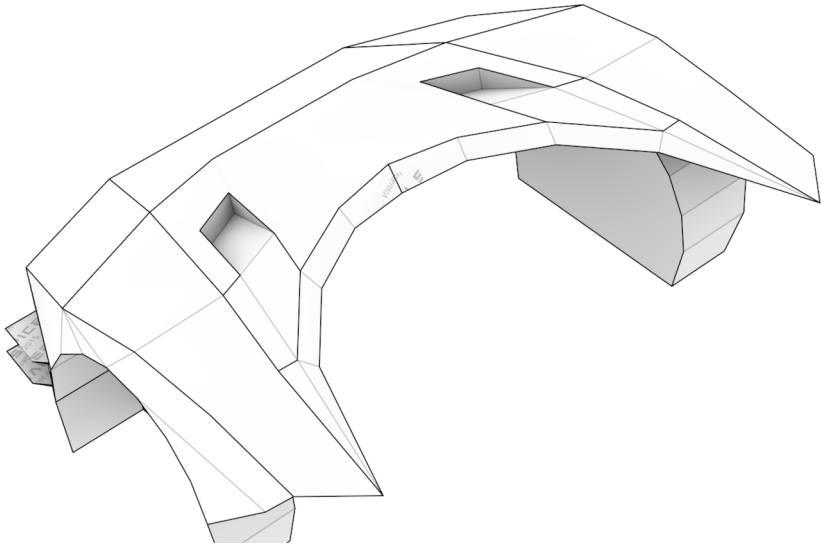
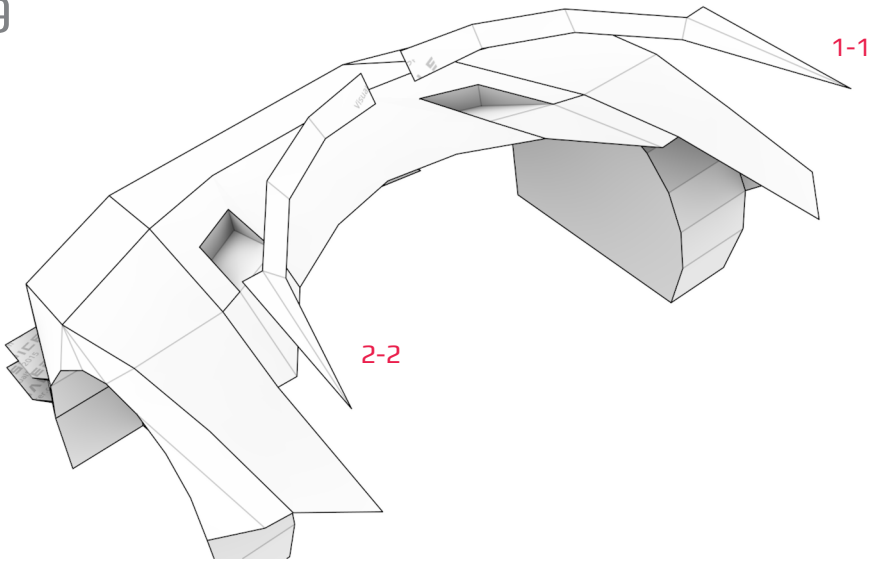
7



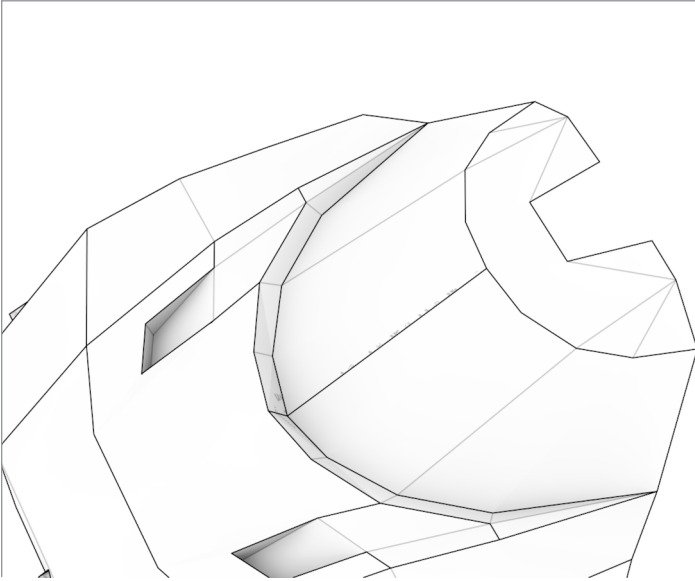
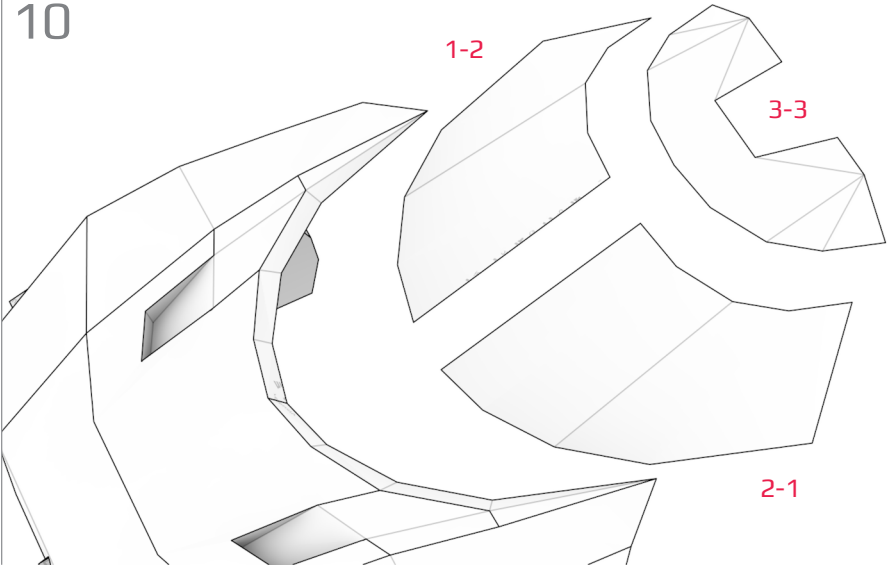
8



9

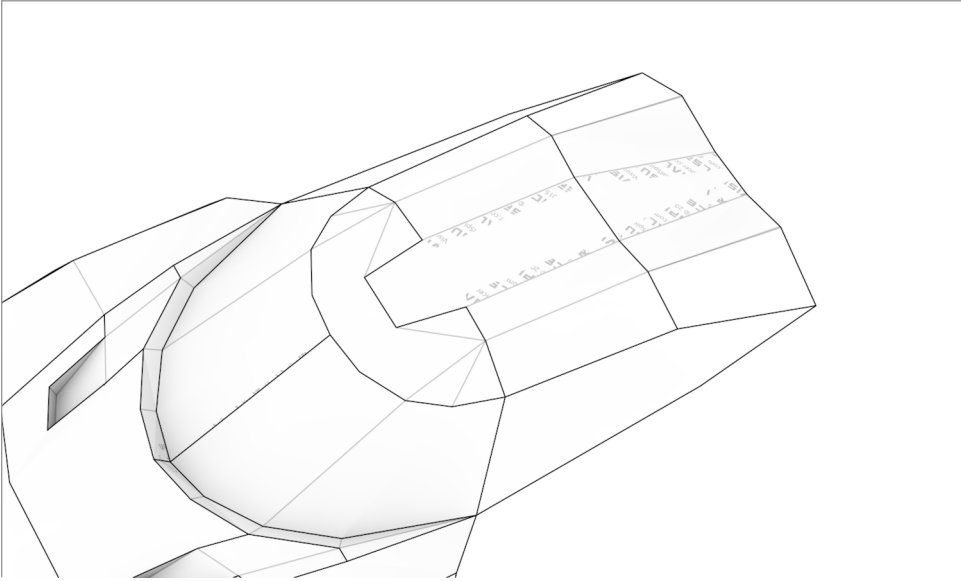
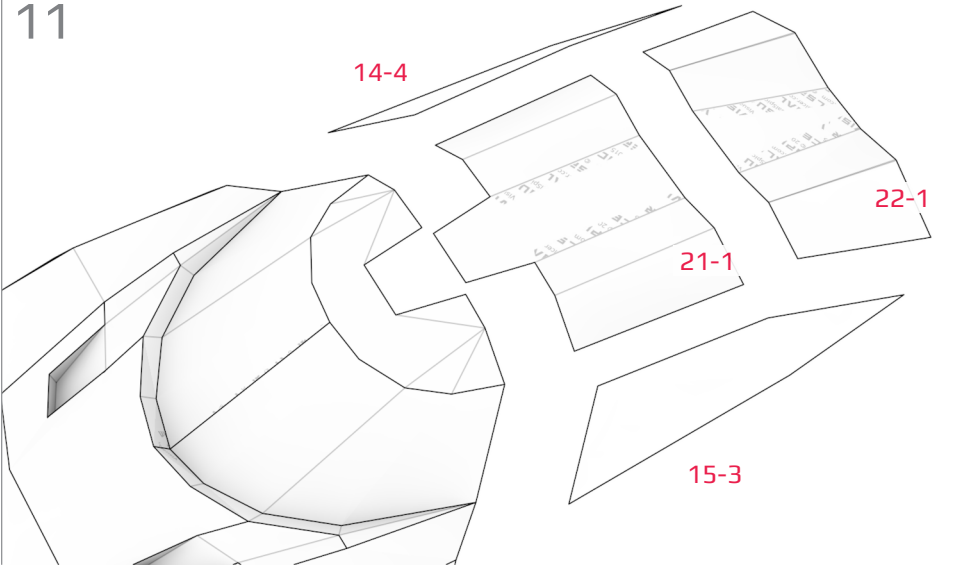


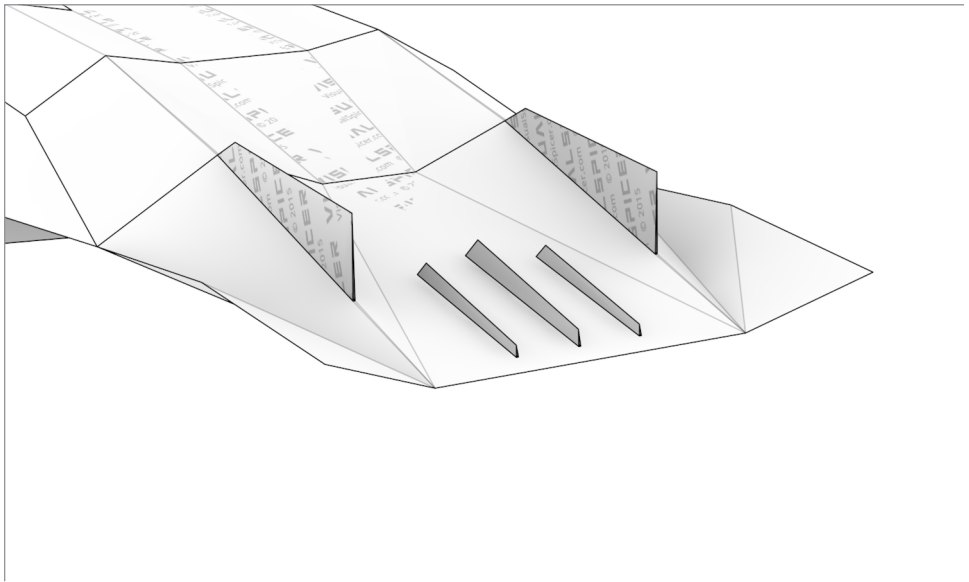
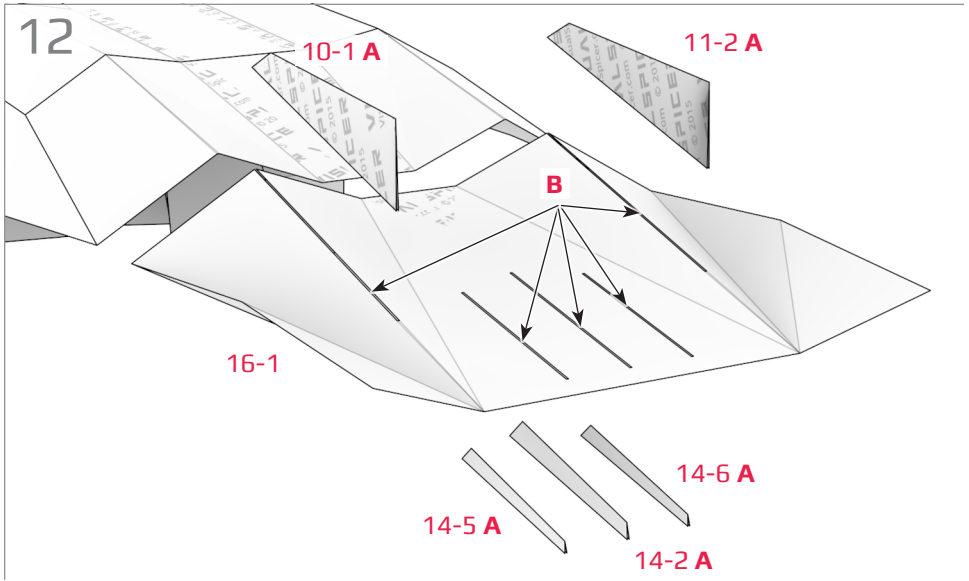
10





11





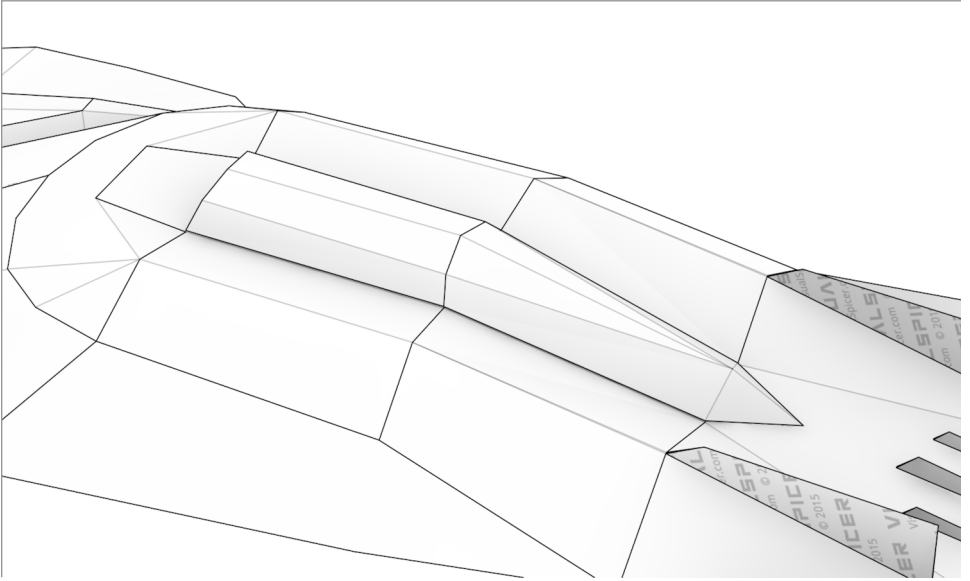
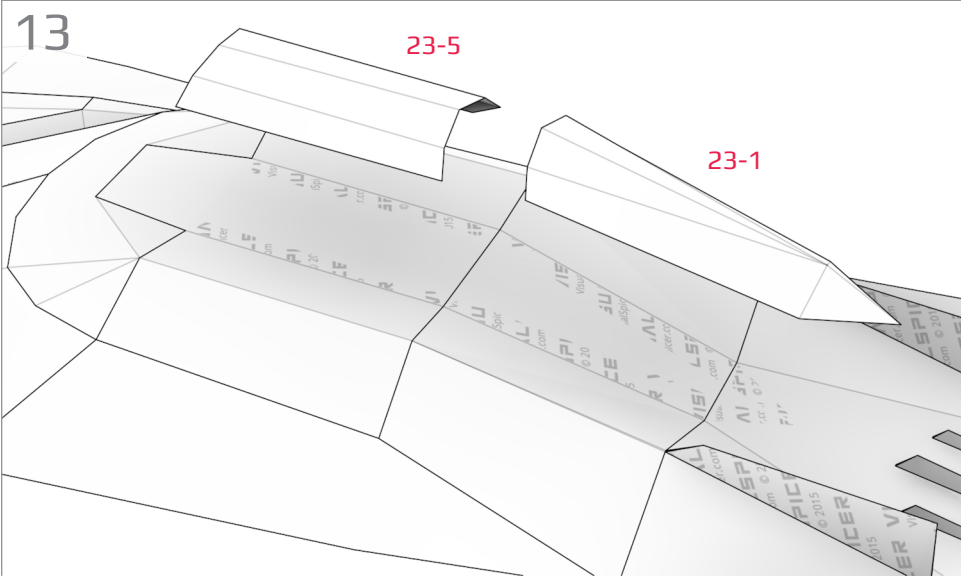
**A:** Apply glue inside part.

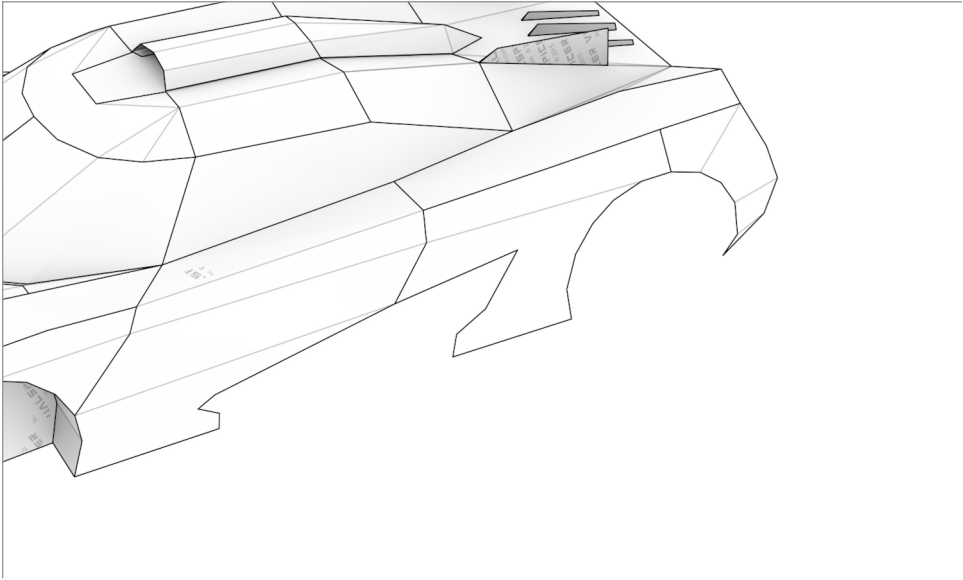
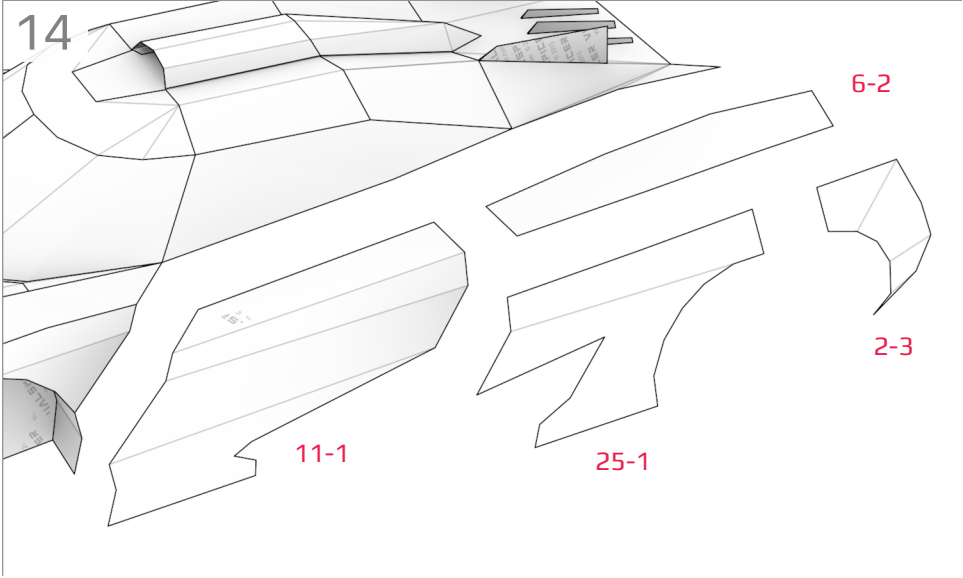
**B:** Remove opening.

13

23-5

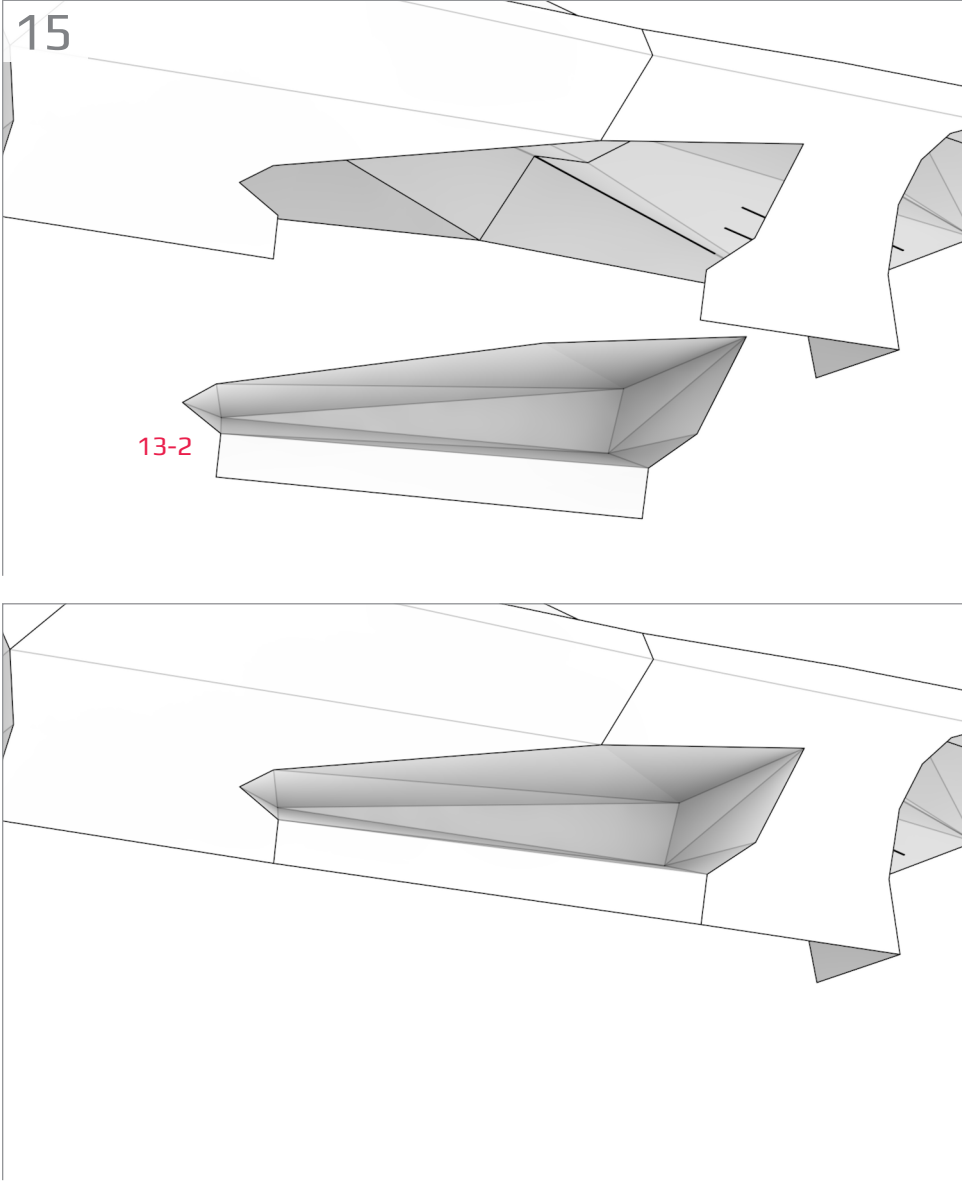
23-1



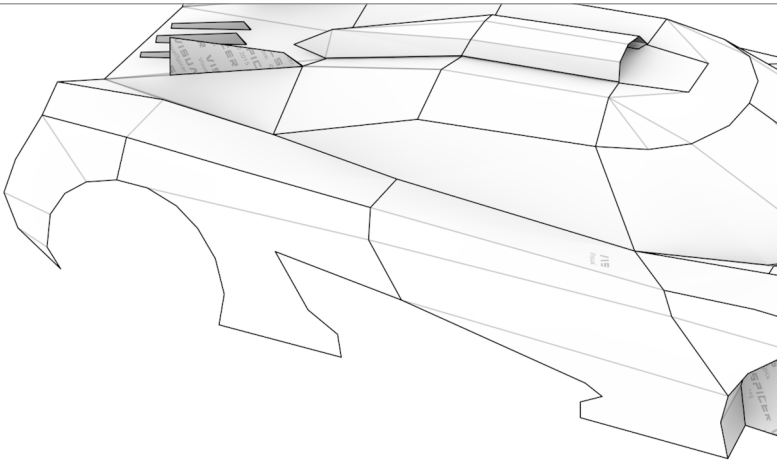
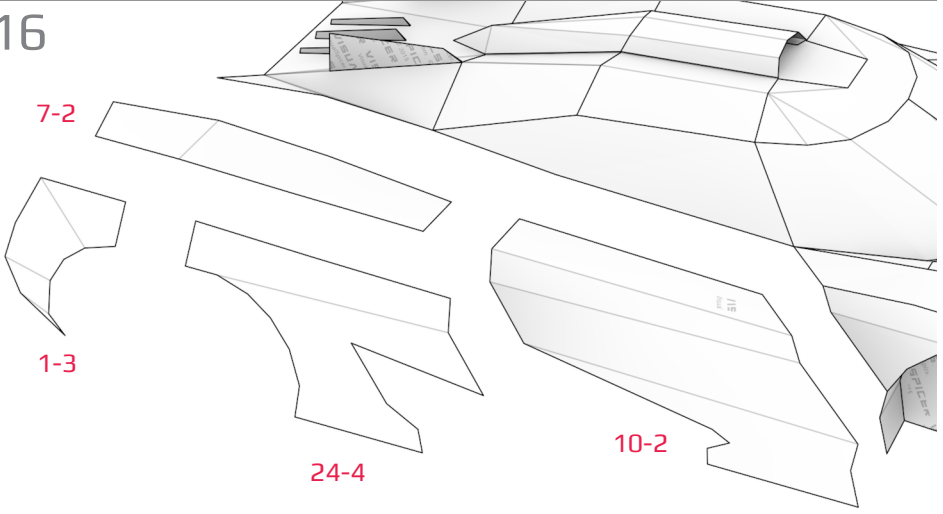


15

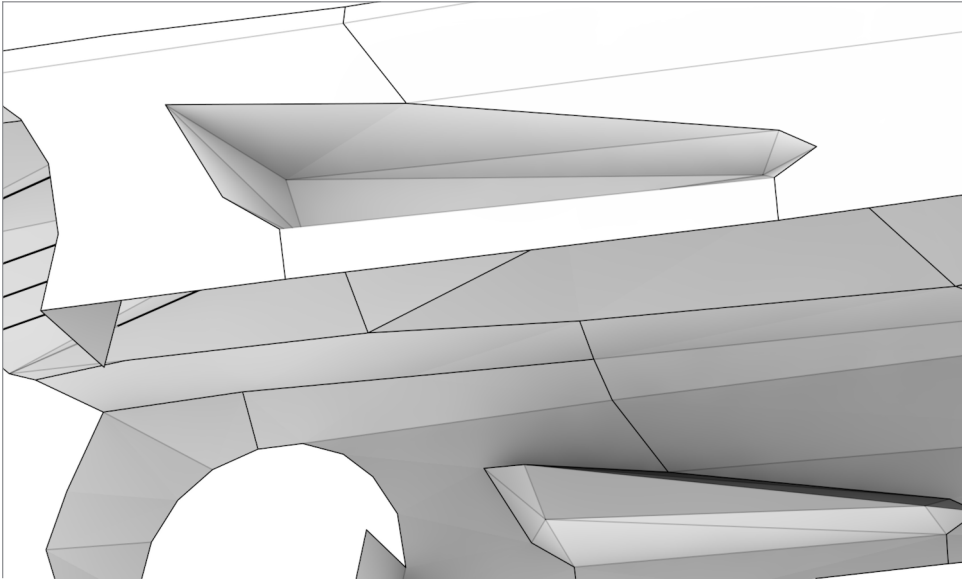
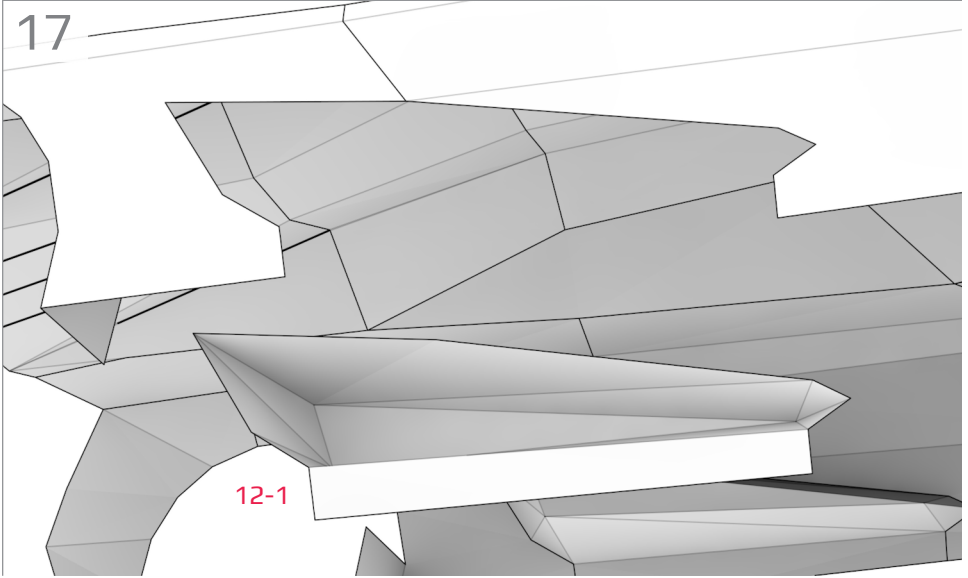
13-2



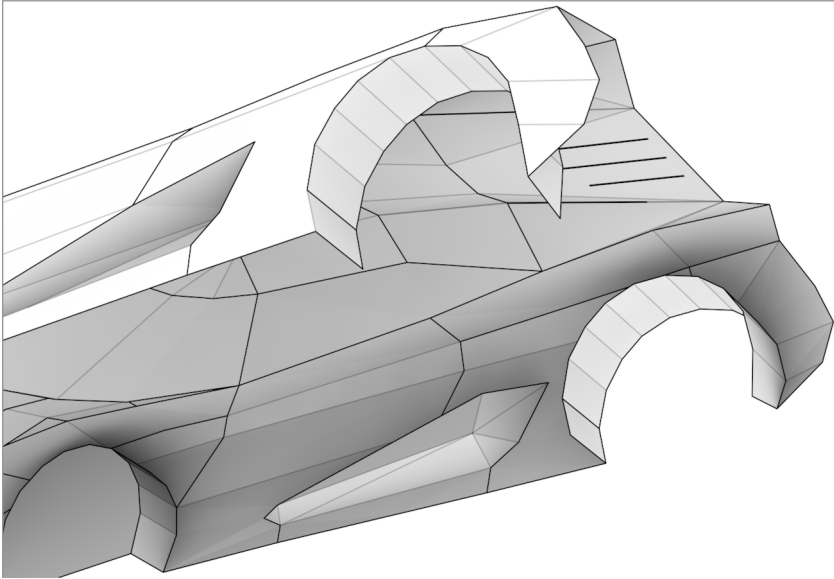
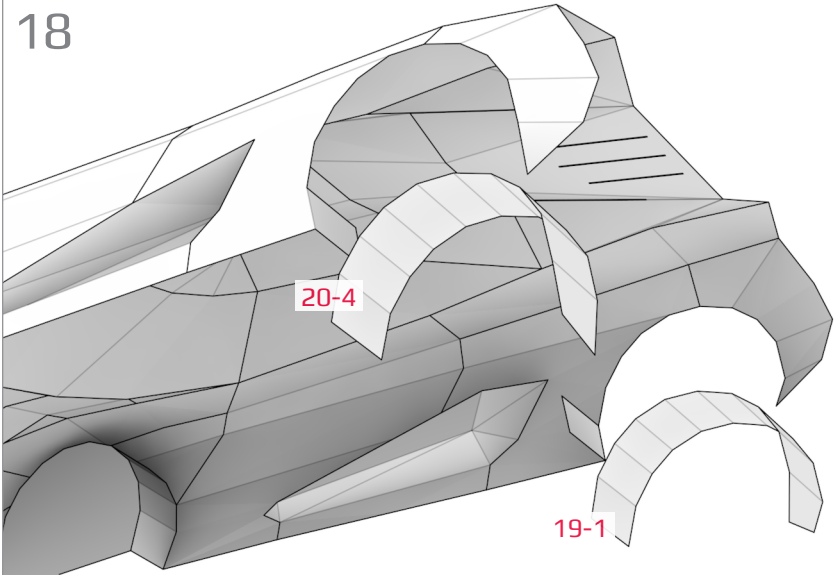
16



17

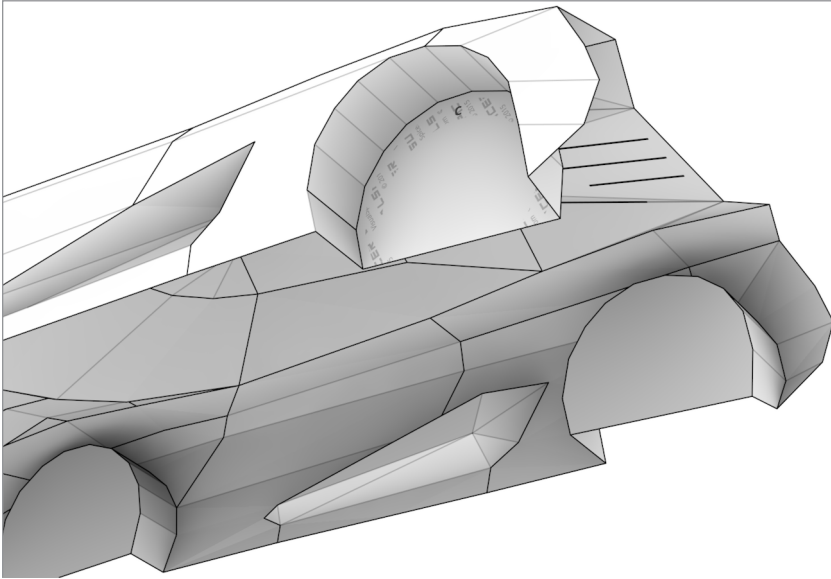
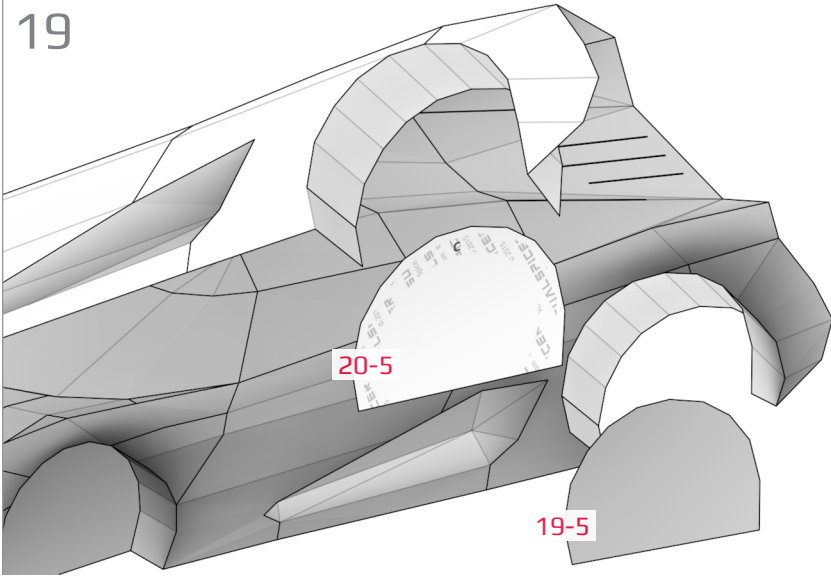


18

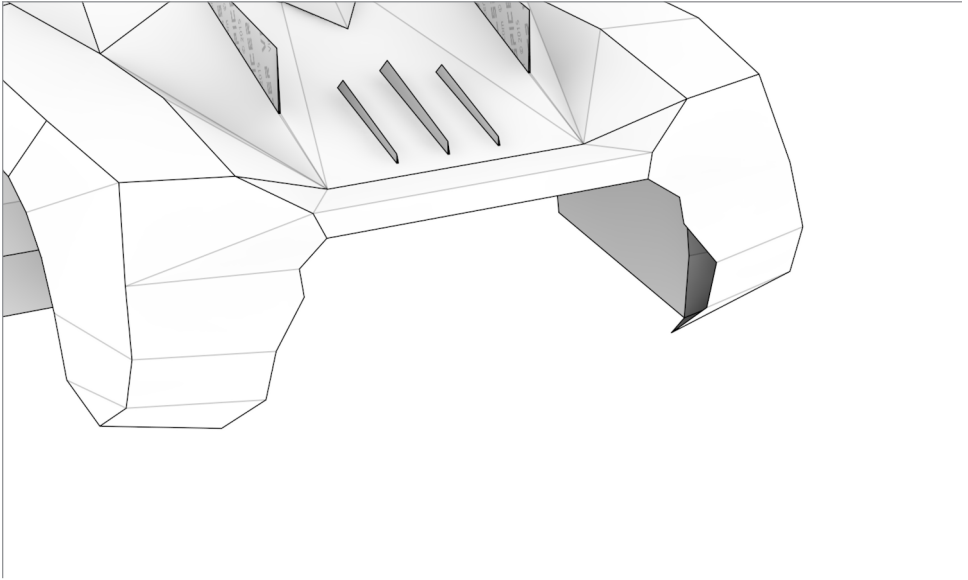
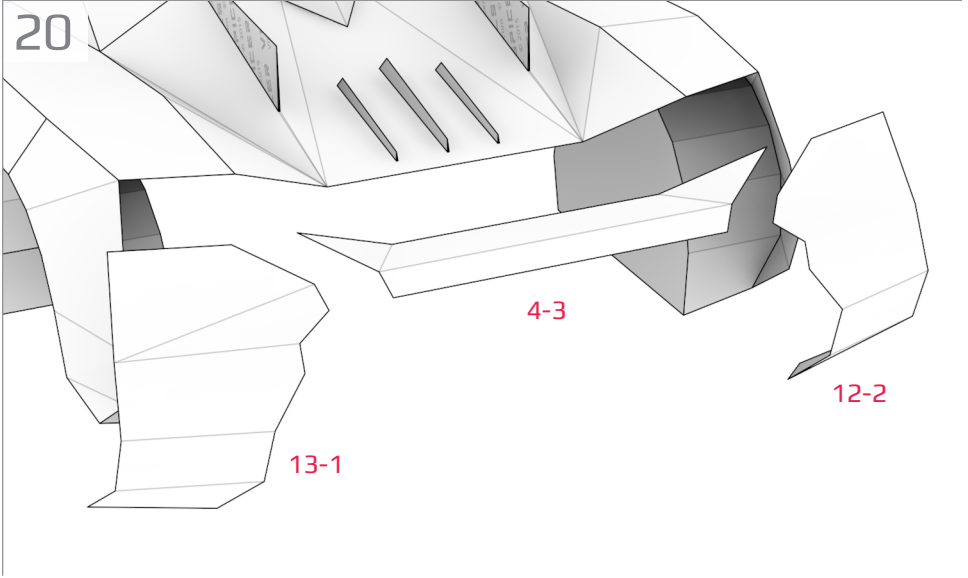




19



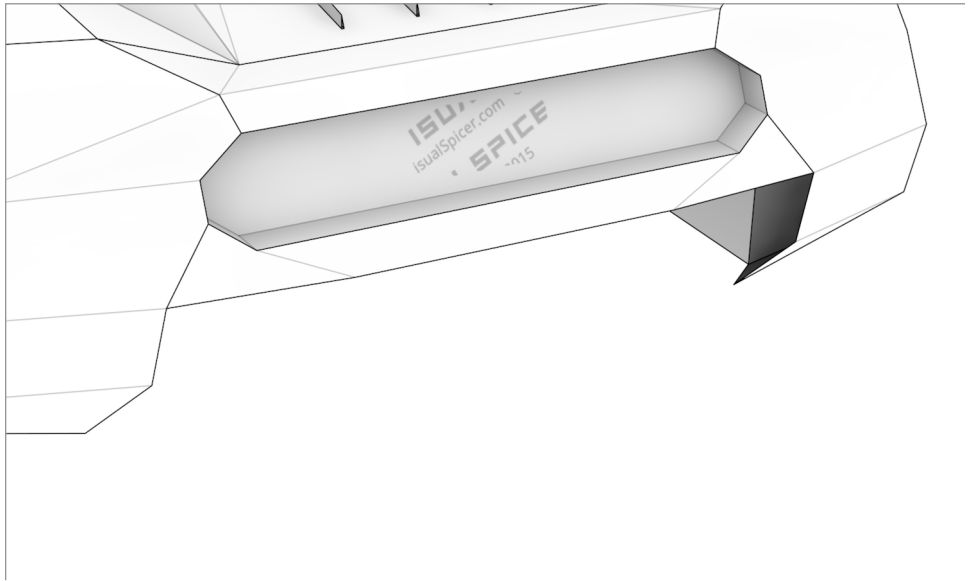
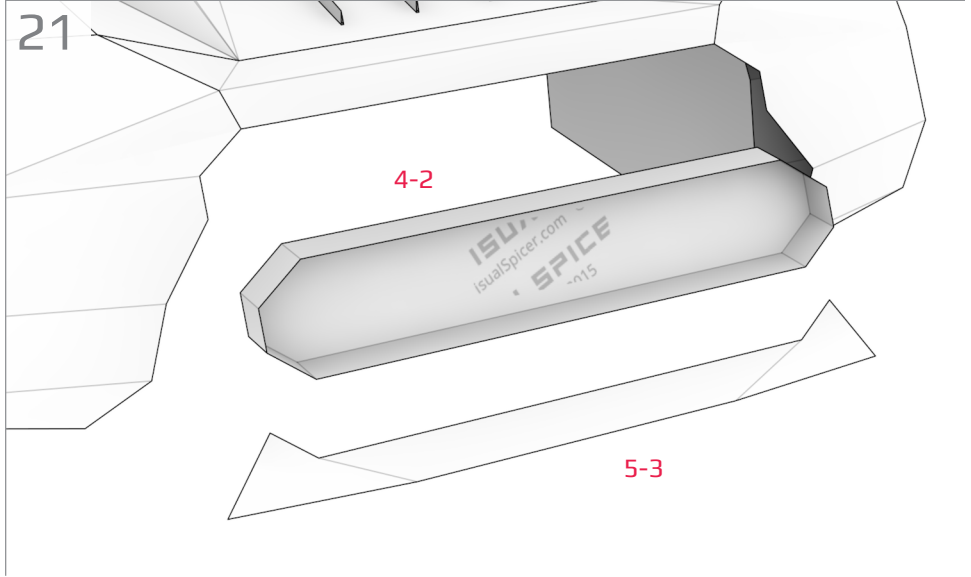
20

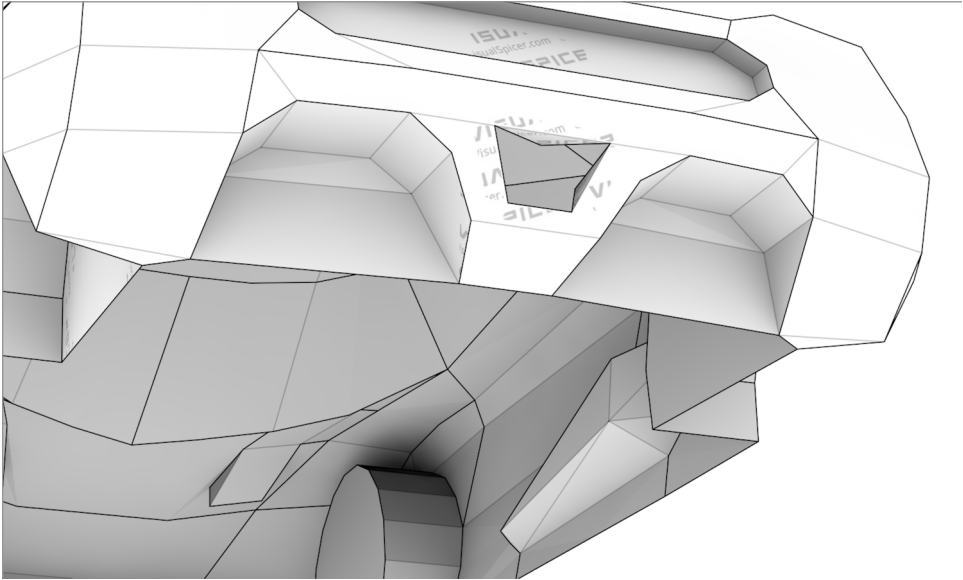
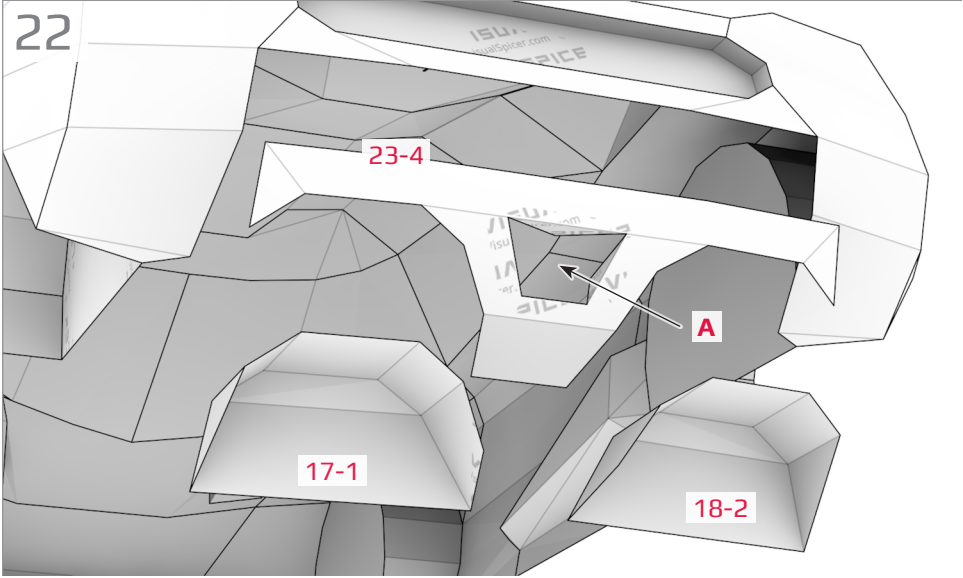


21

4-2

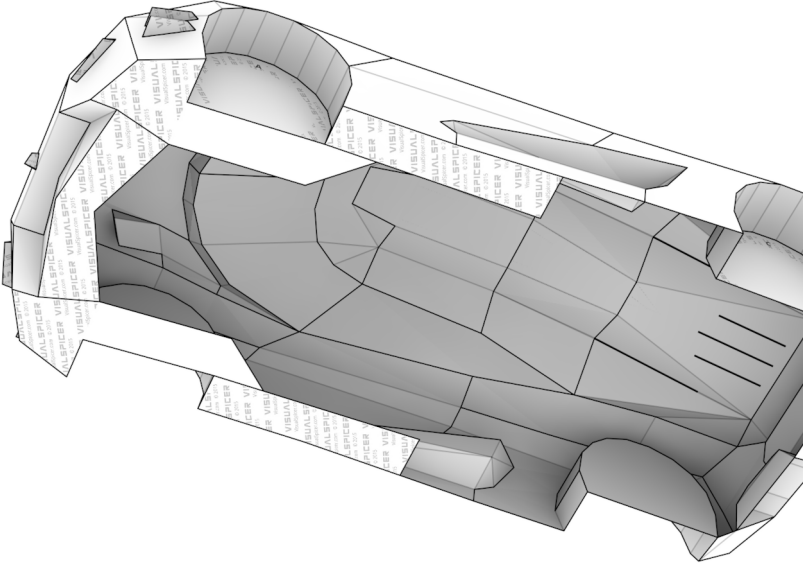
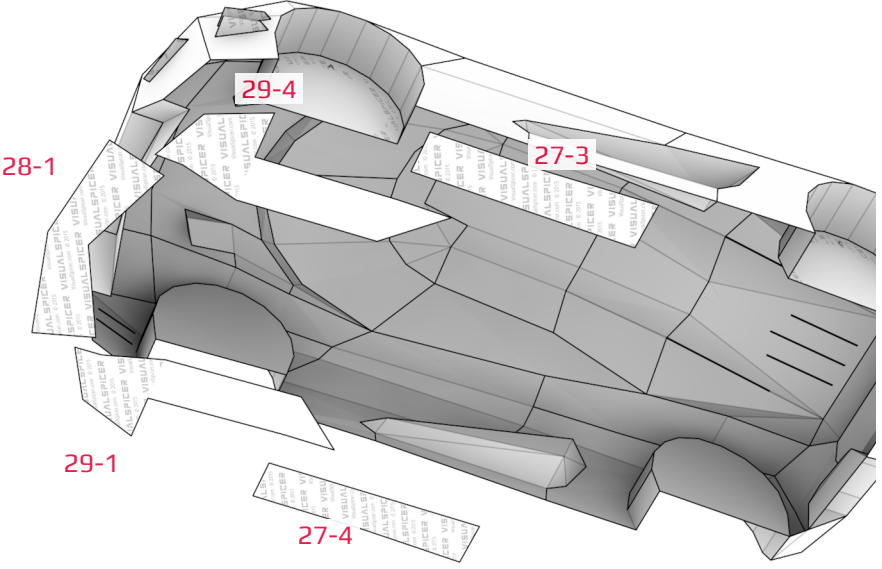
5-3



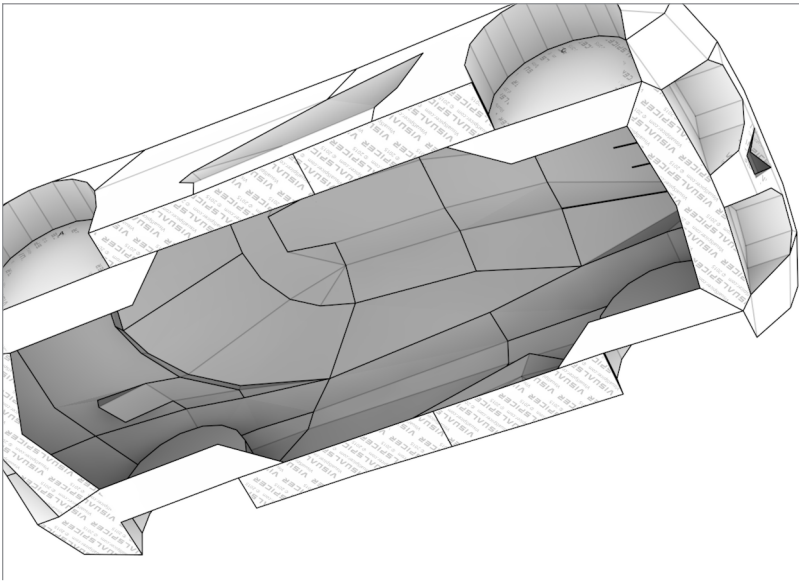
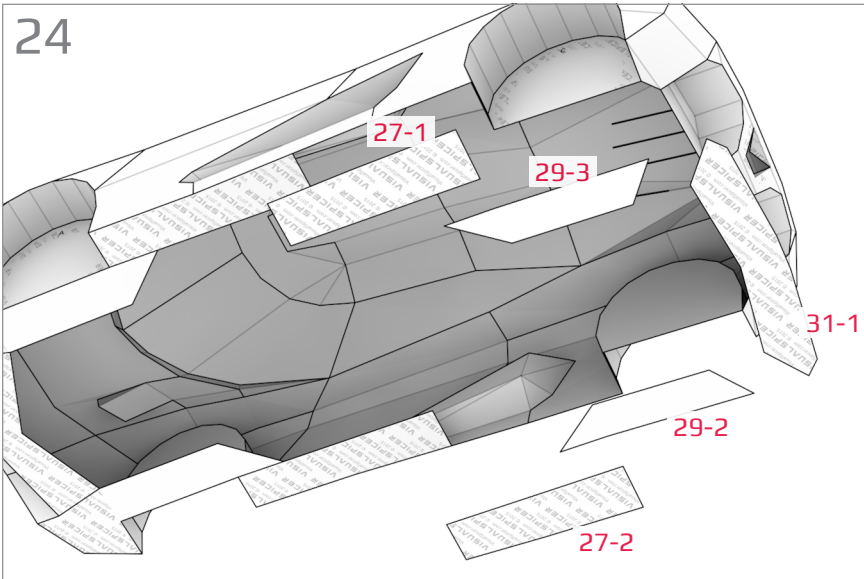


**A:** Make opening.

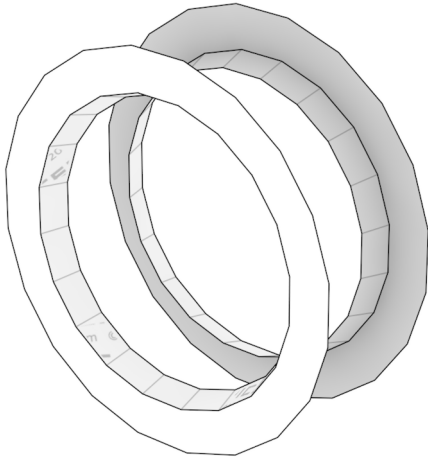
23



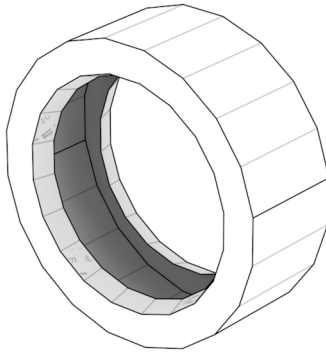
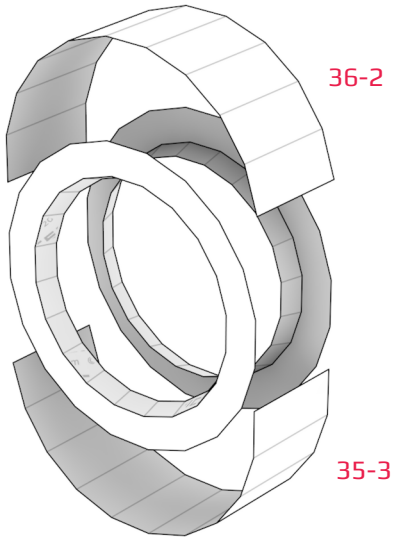
24



25

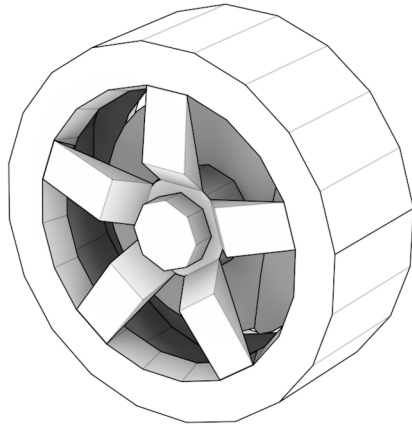
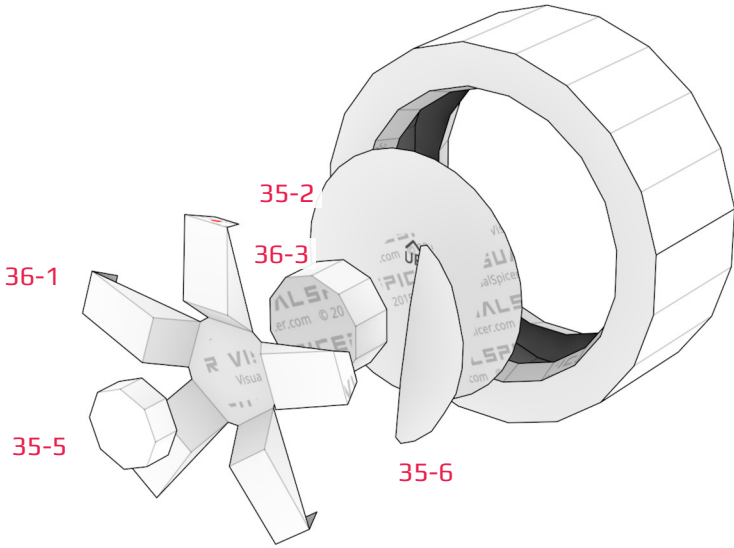


26

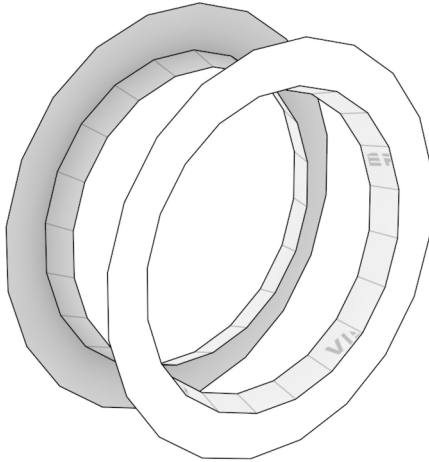
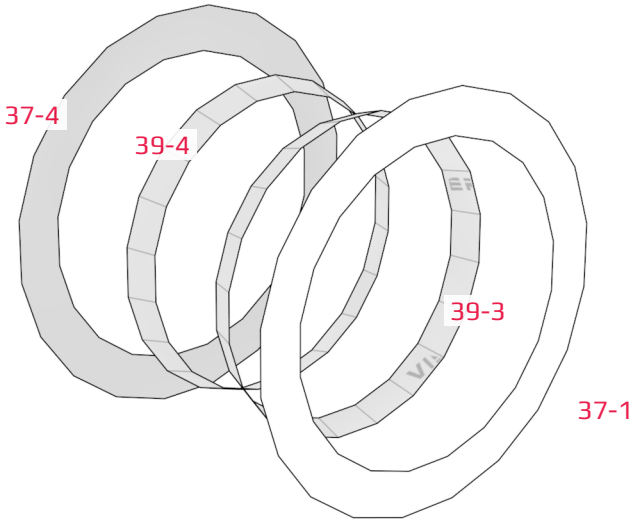




27



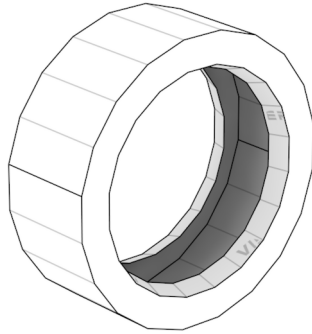
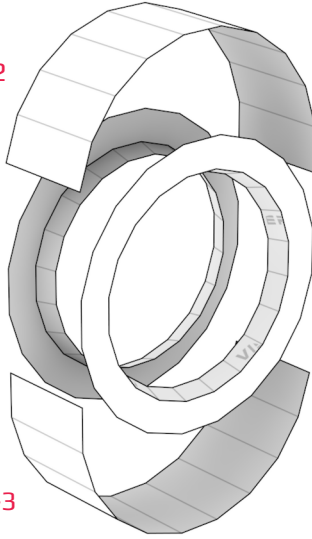
28



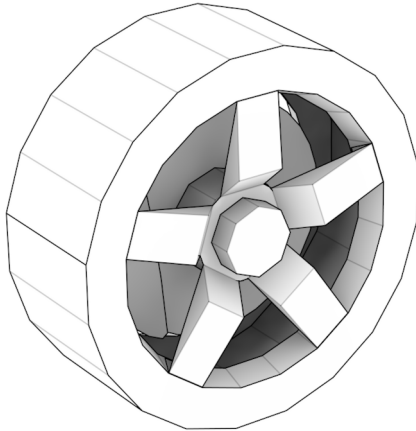
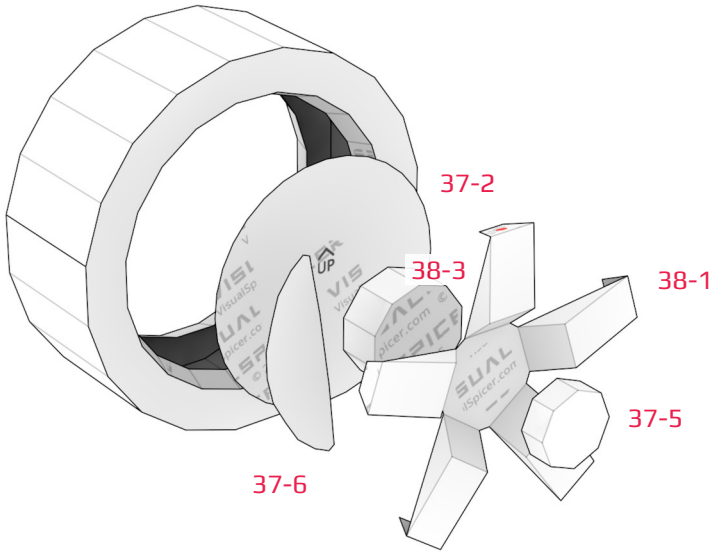
29

38-2

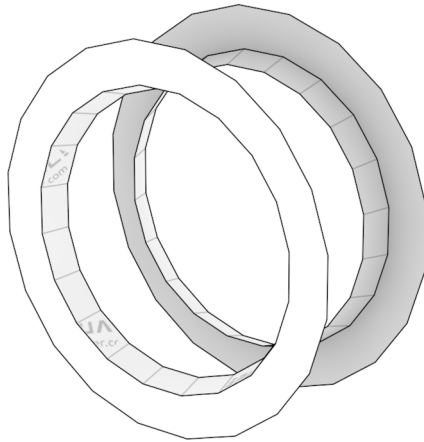
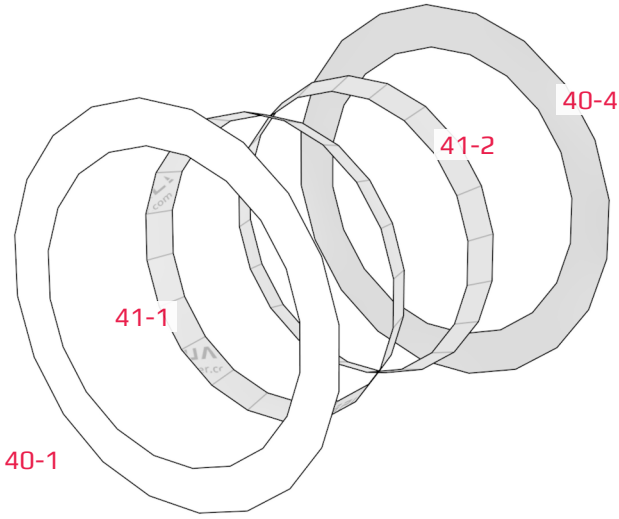
37-3



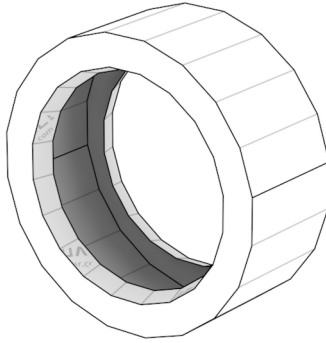
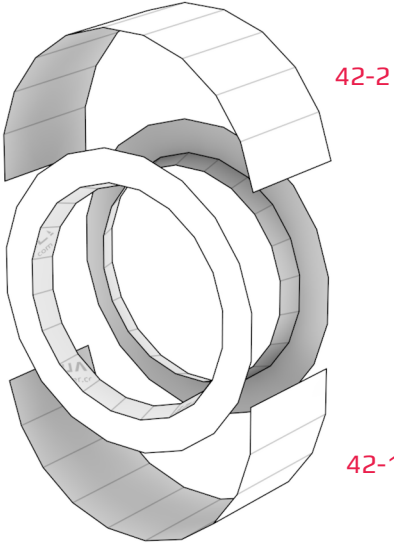
30



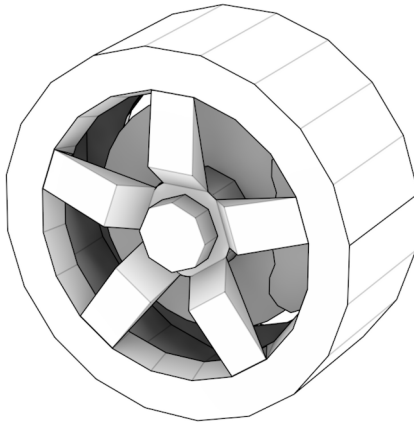
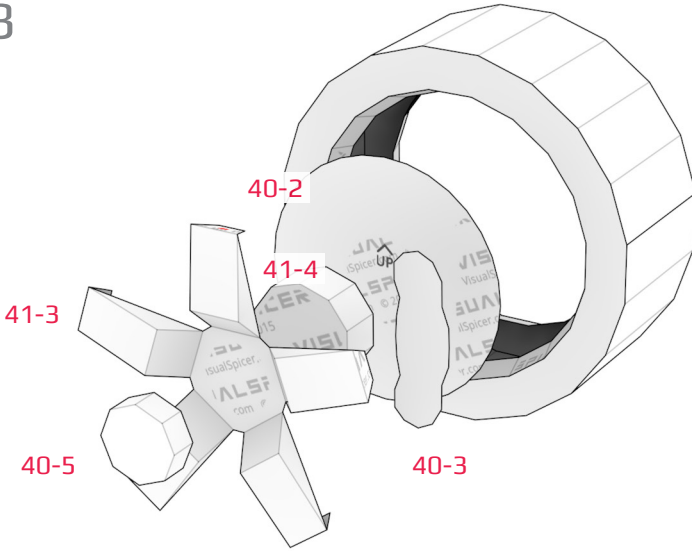
31



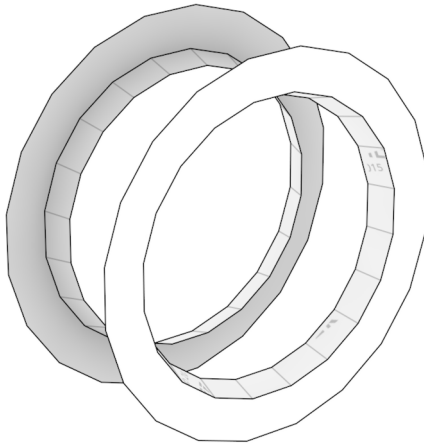
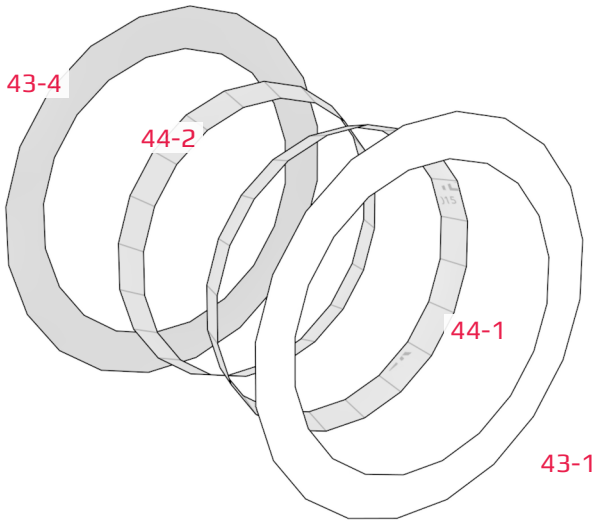
32



33

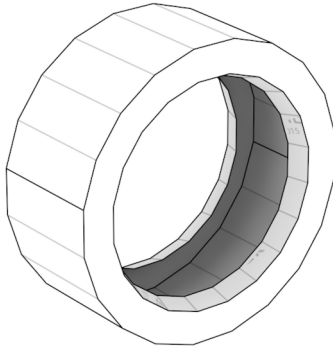
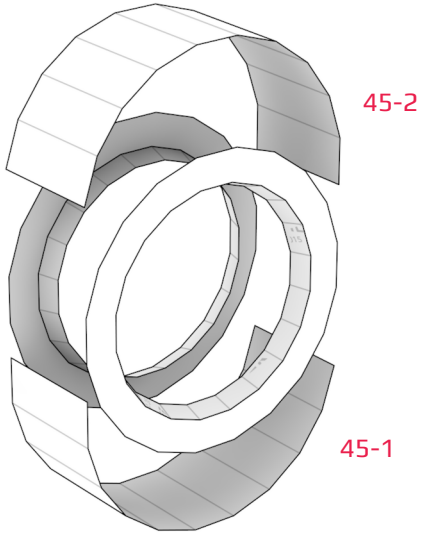


34

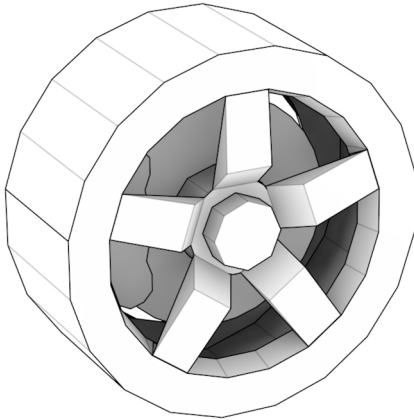
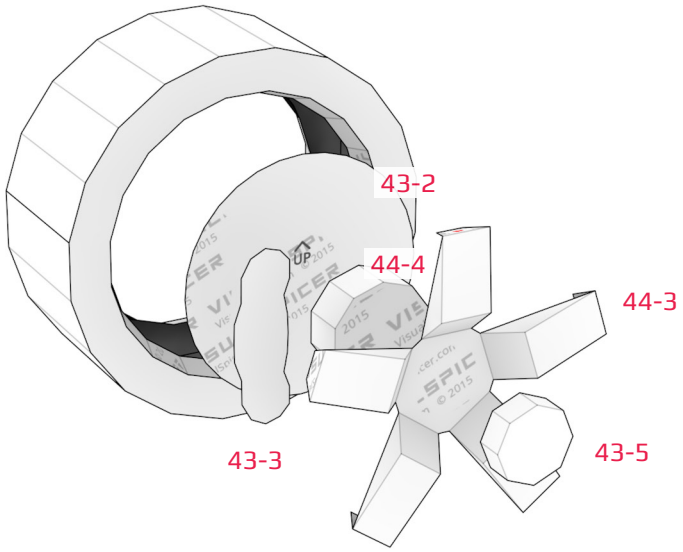




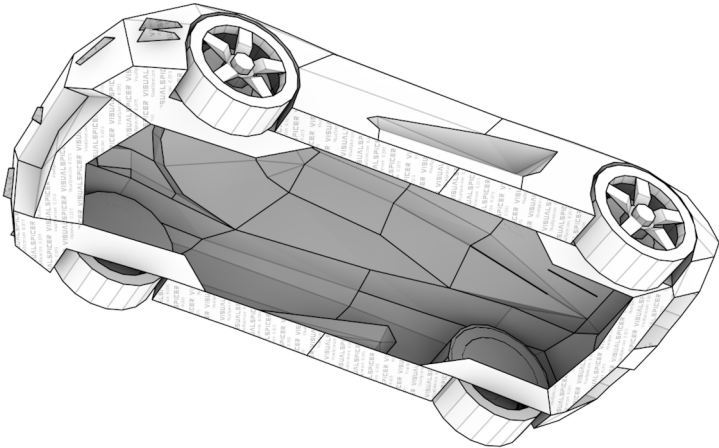
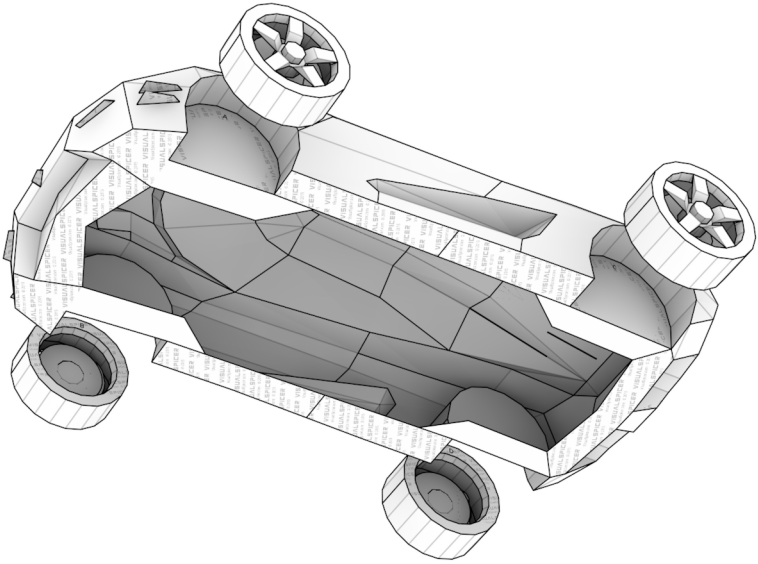
35



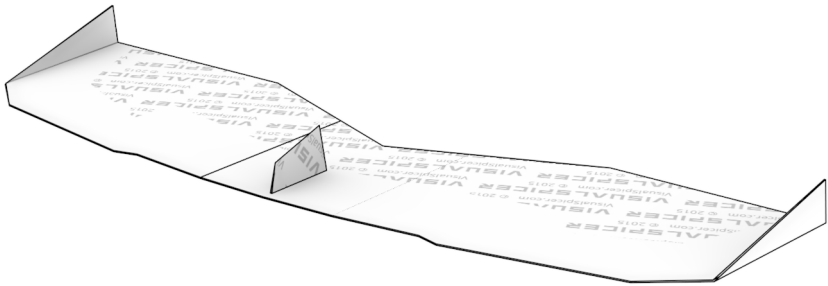
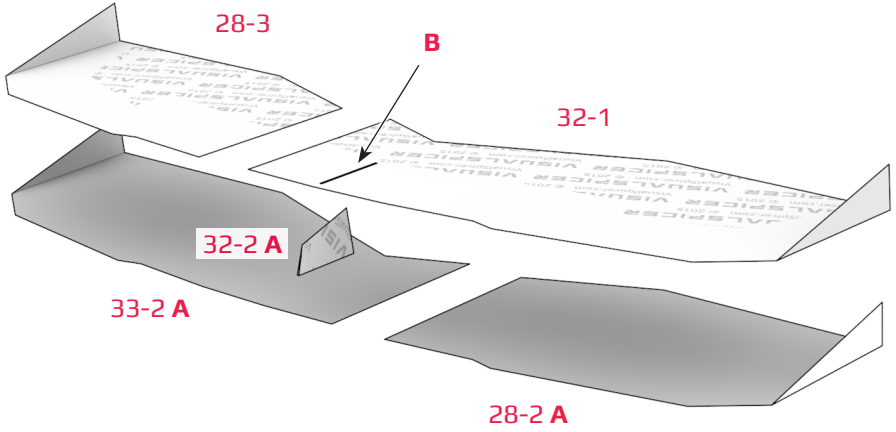
36



37



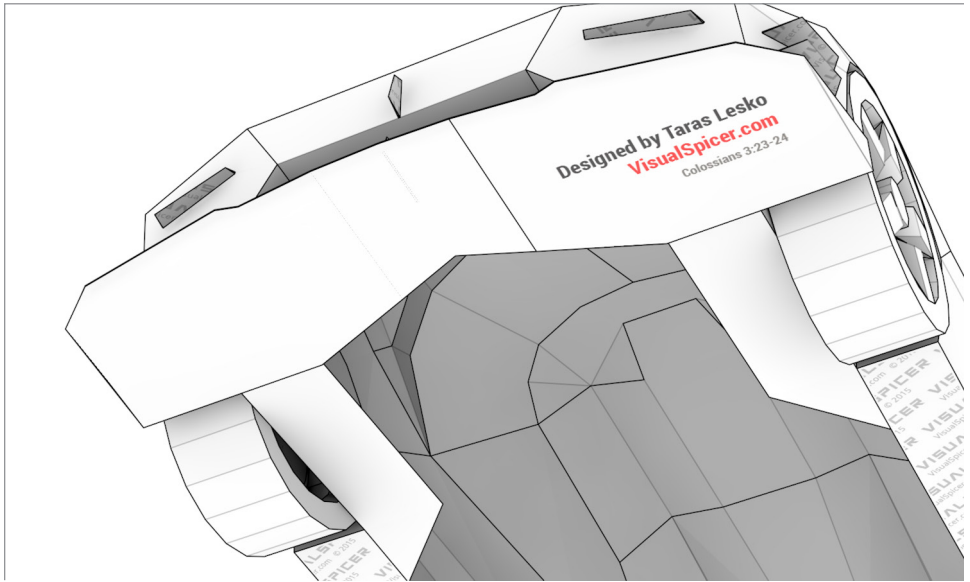
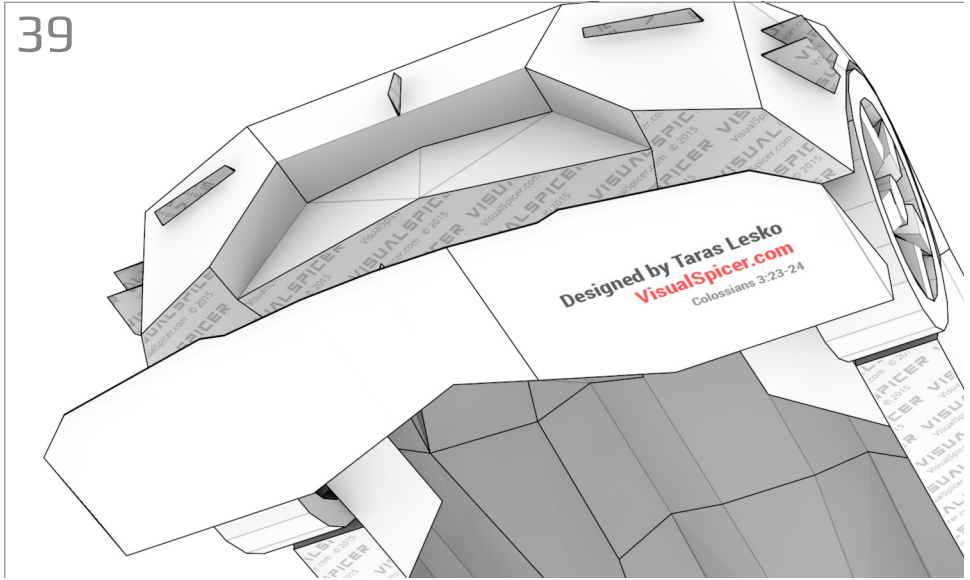
38



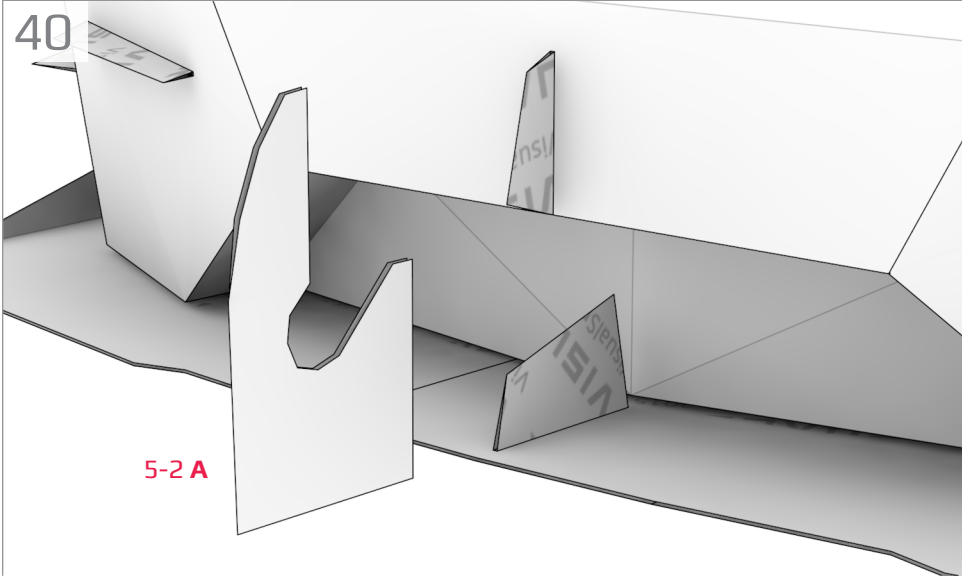
**A:** Apply glue inside part.

**B:** Remove opening.

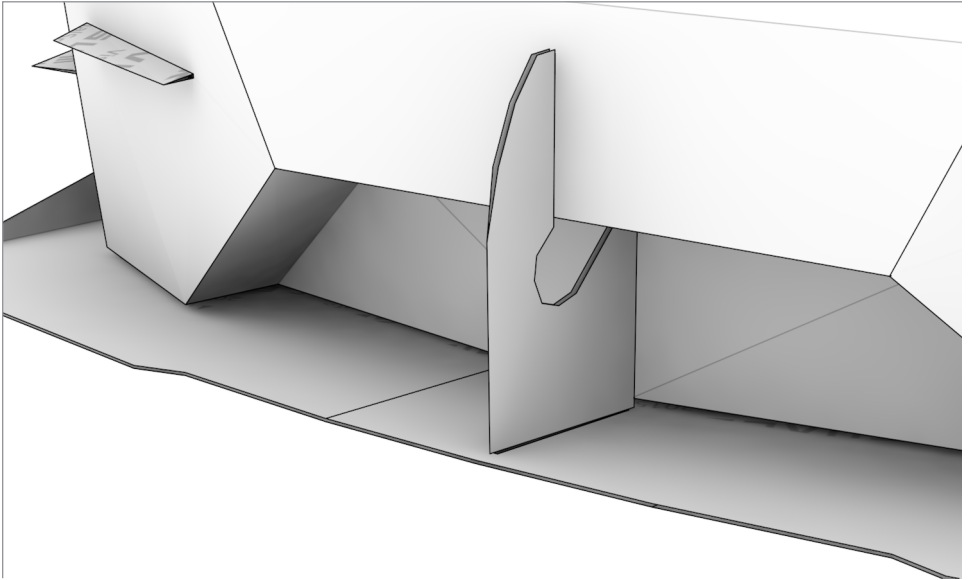
39



40

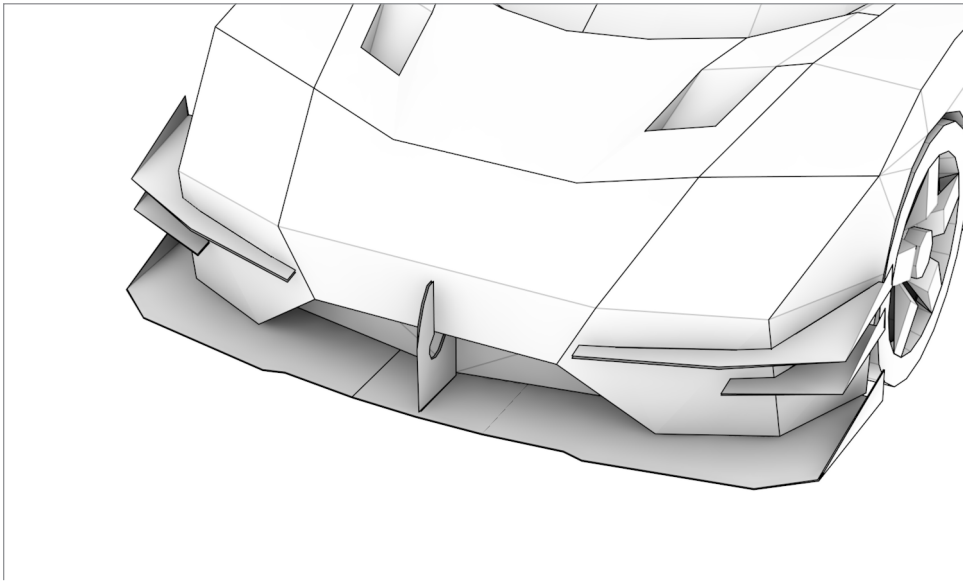
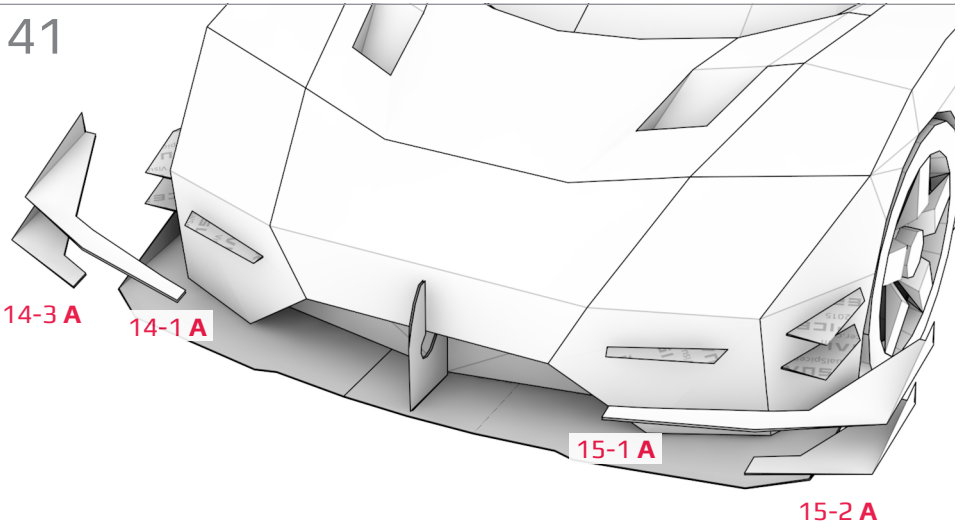


5-2 A



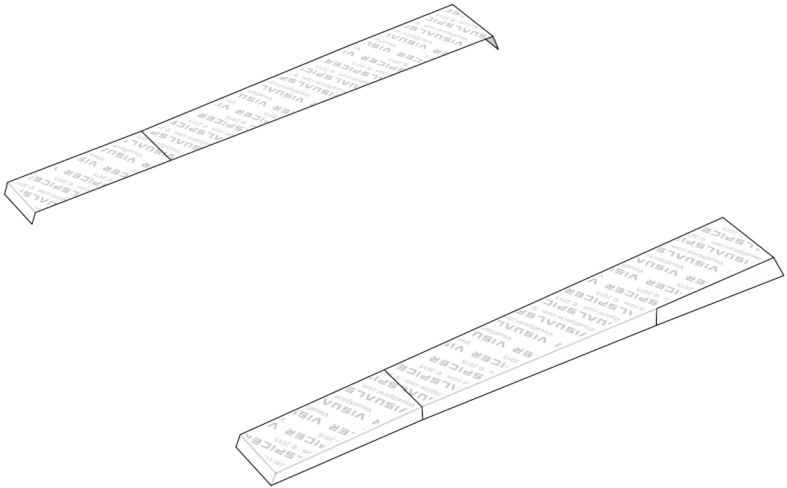
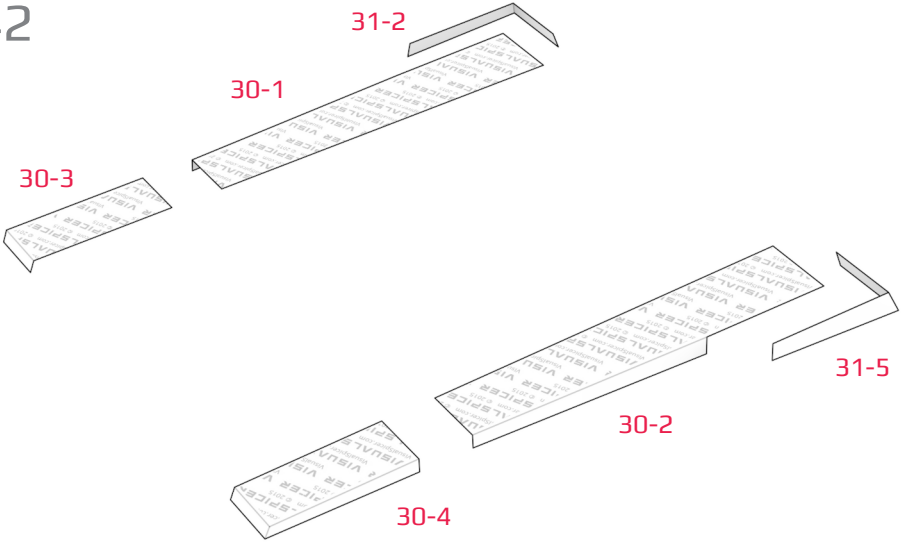
**A:** Apply glue inside part.

41



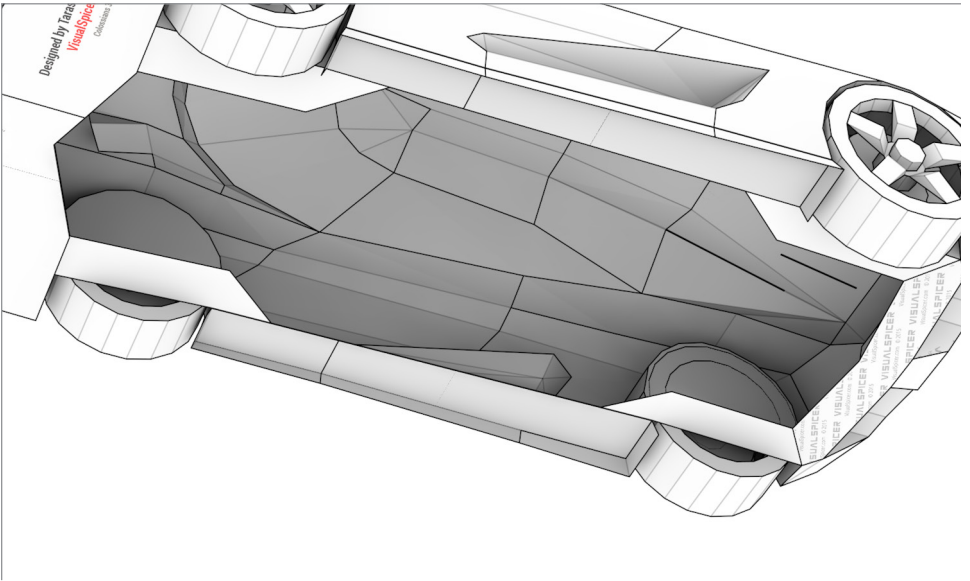
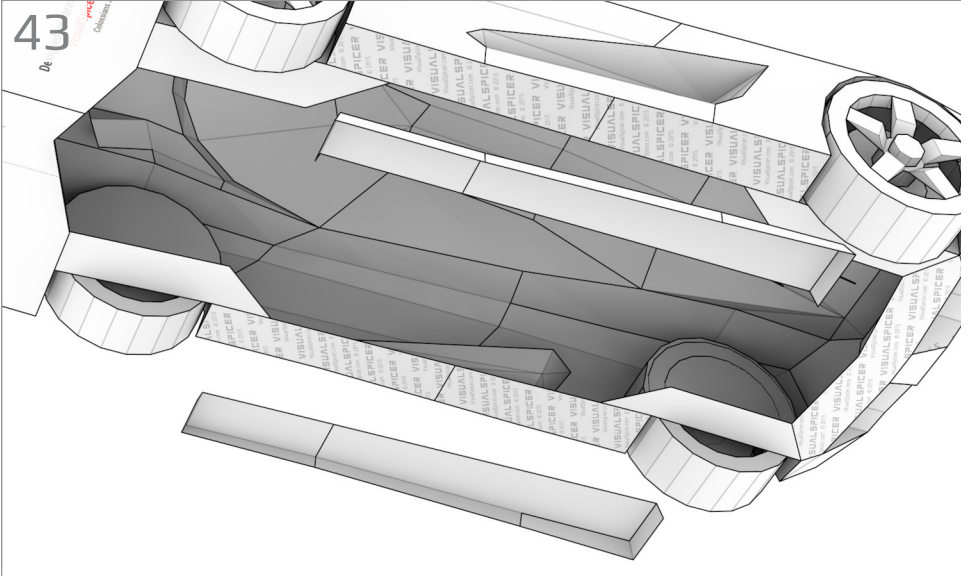
**A:** Apply glue inside part.

42

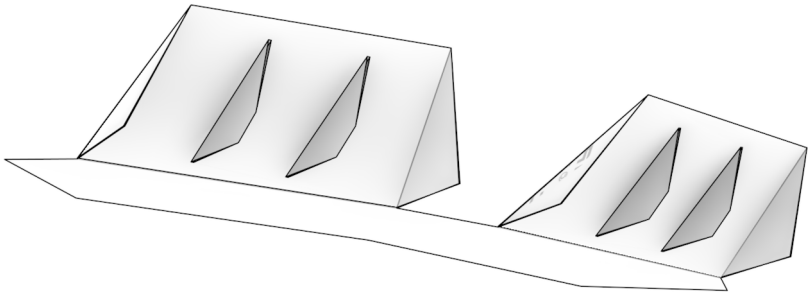
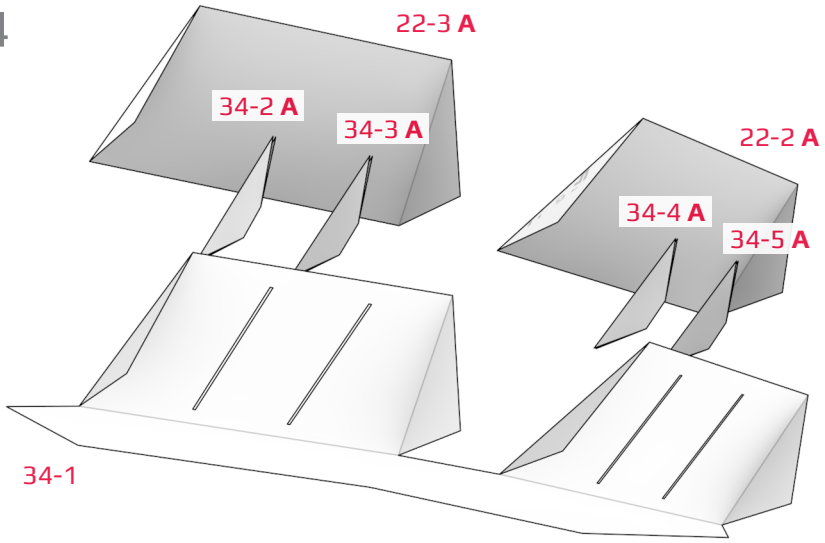




43  
De

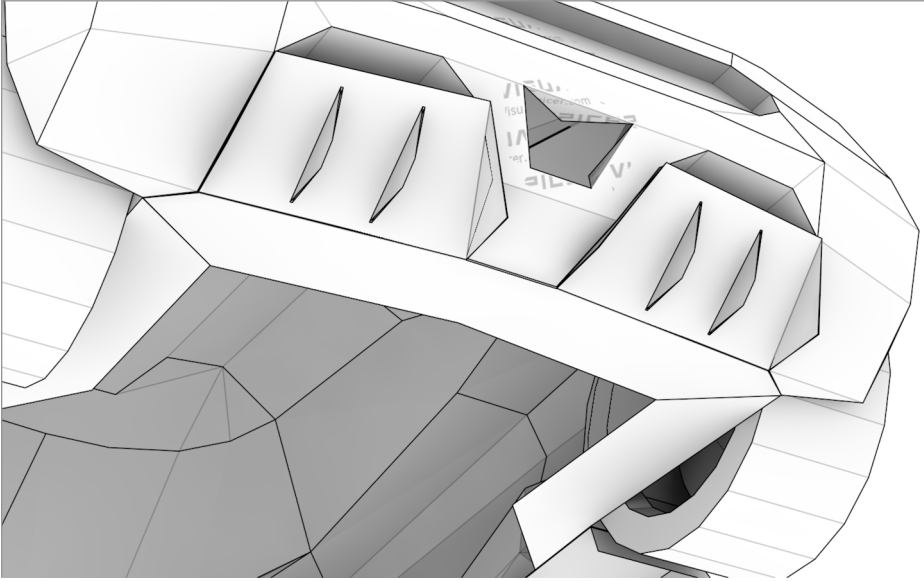
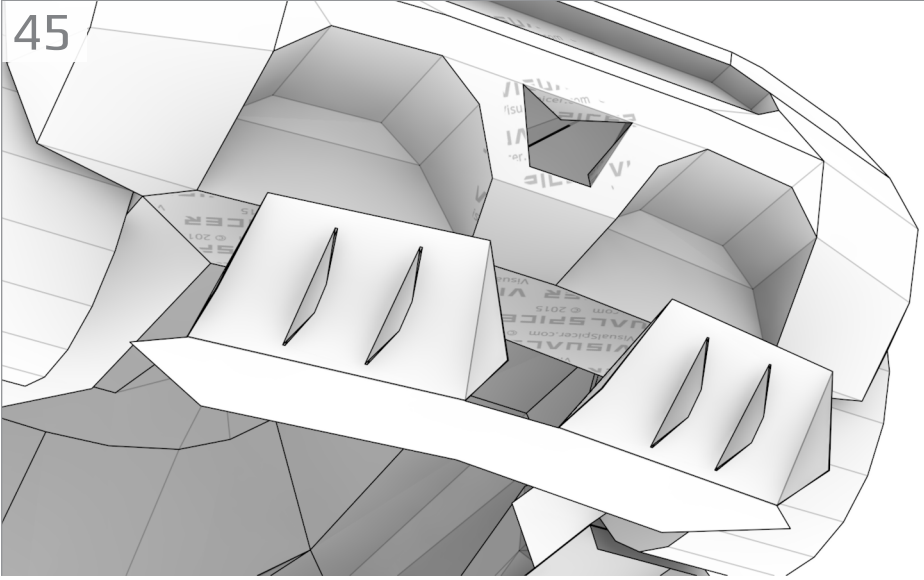


44

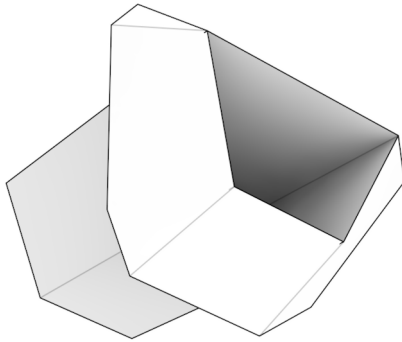
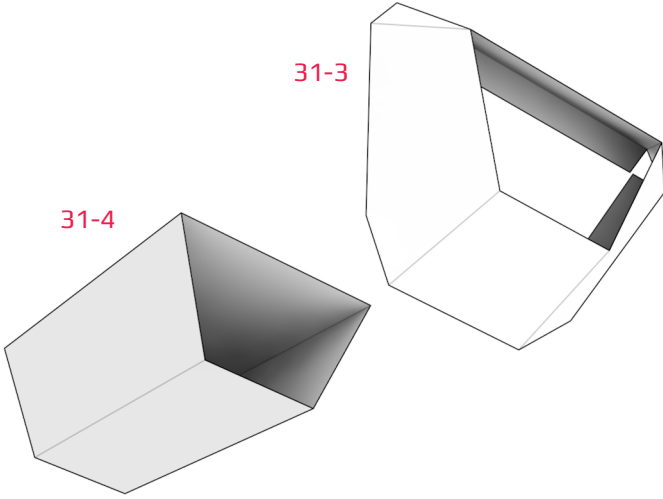


**A:** Apply glue inside part.

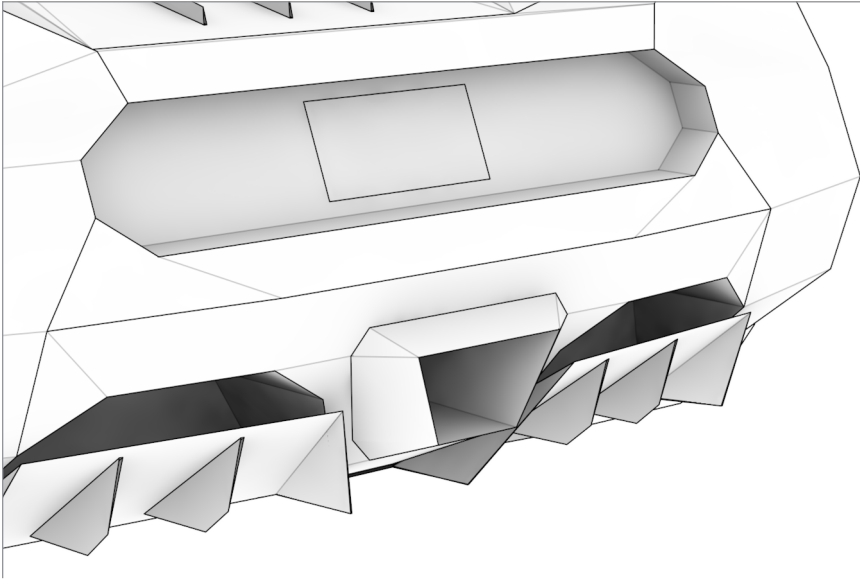
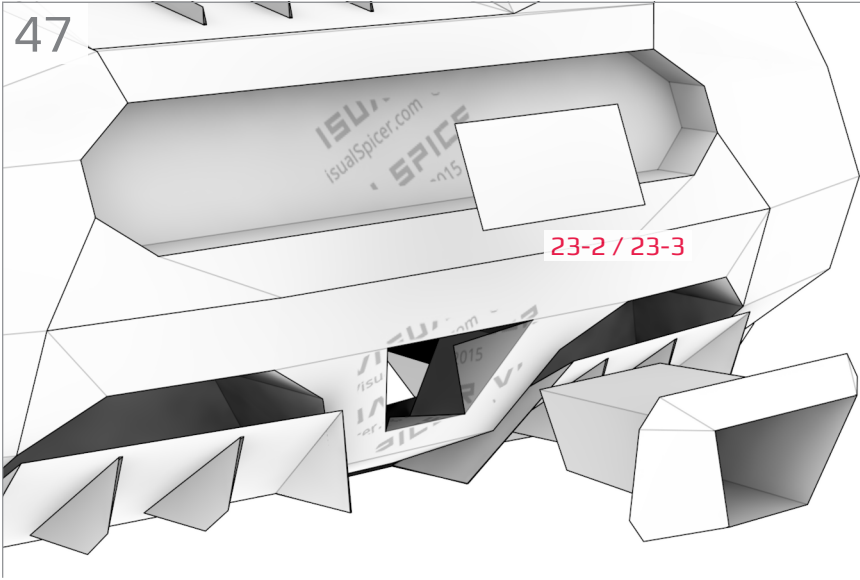
45



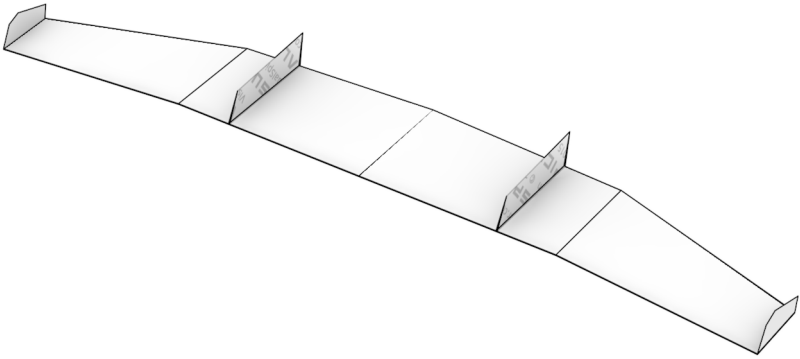
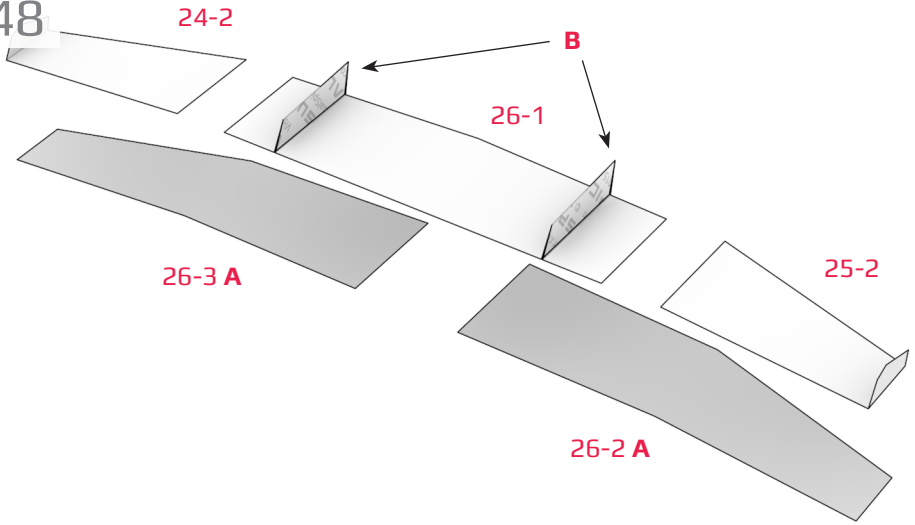
46



47



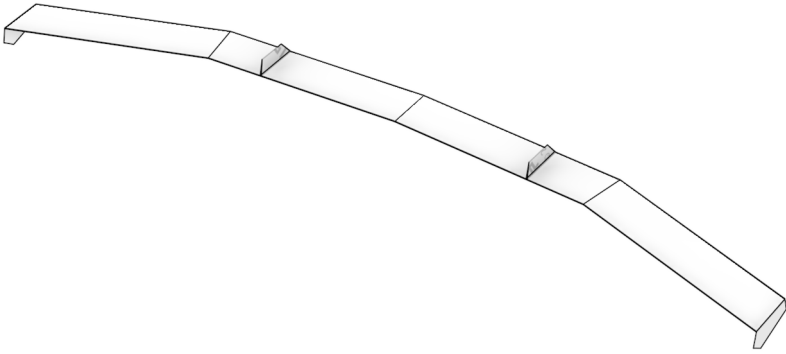
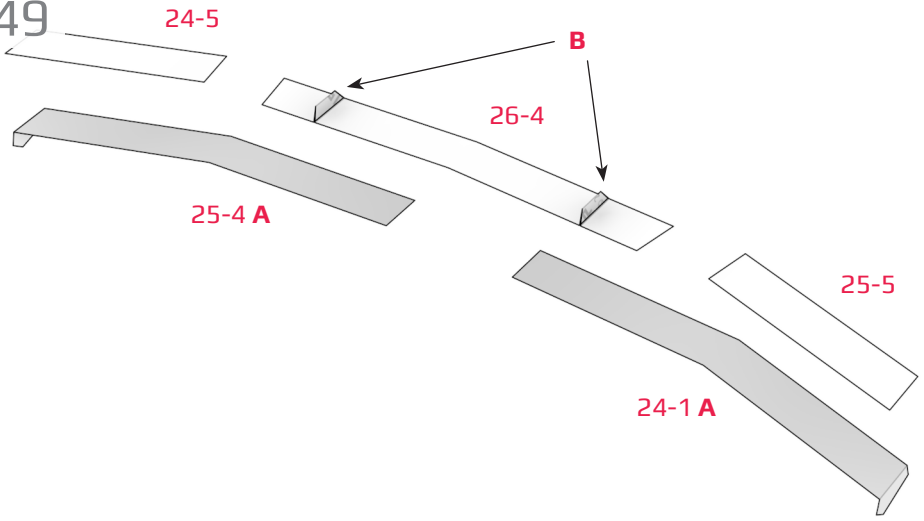
48



**A:** Apply glue inside part.

**B:** Apply glue inside, fold together to join.

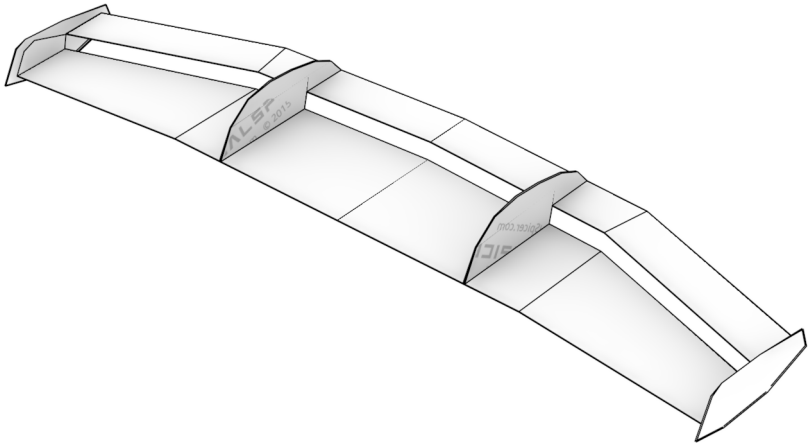
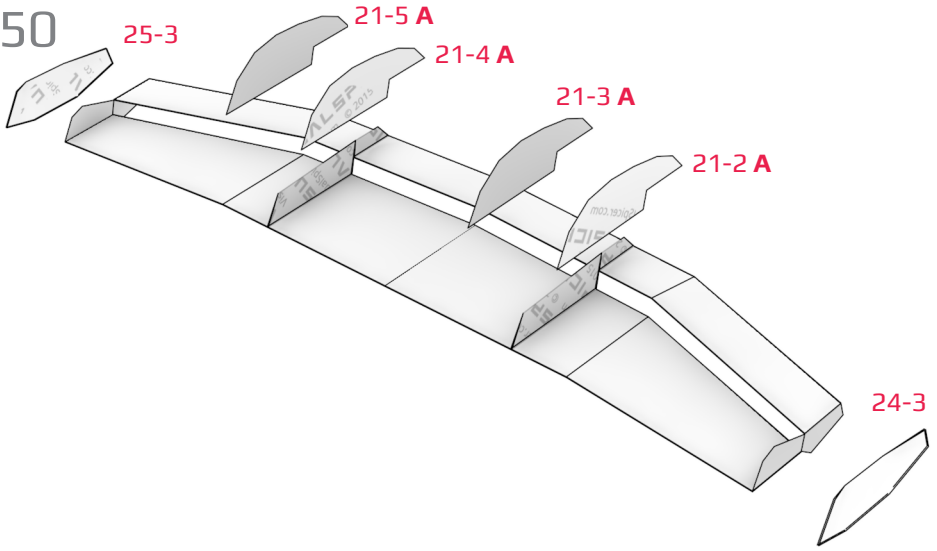
49



**A:** Apply glue inside part.

**B:** Apply glue inside, fold together to join.

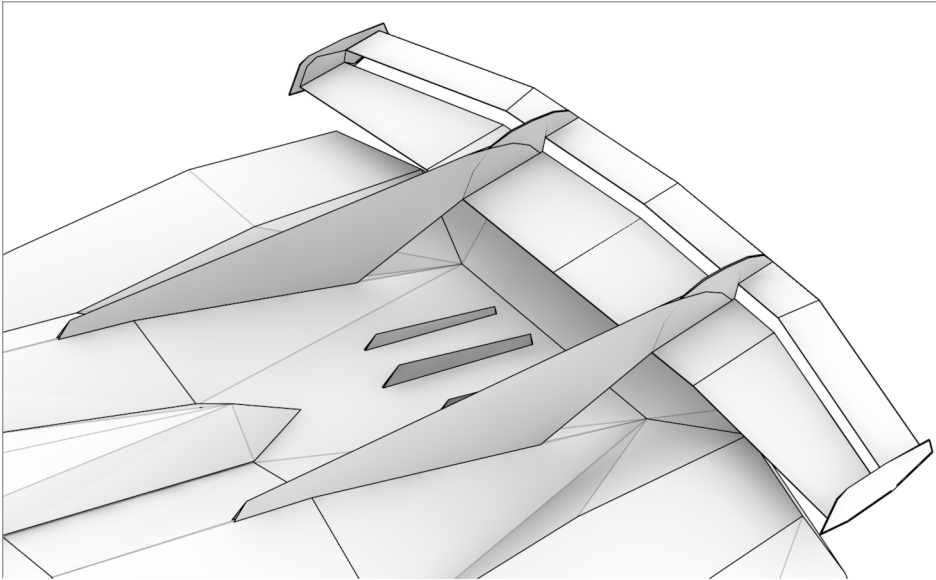
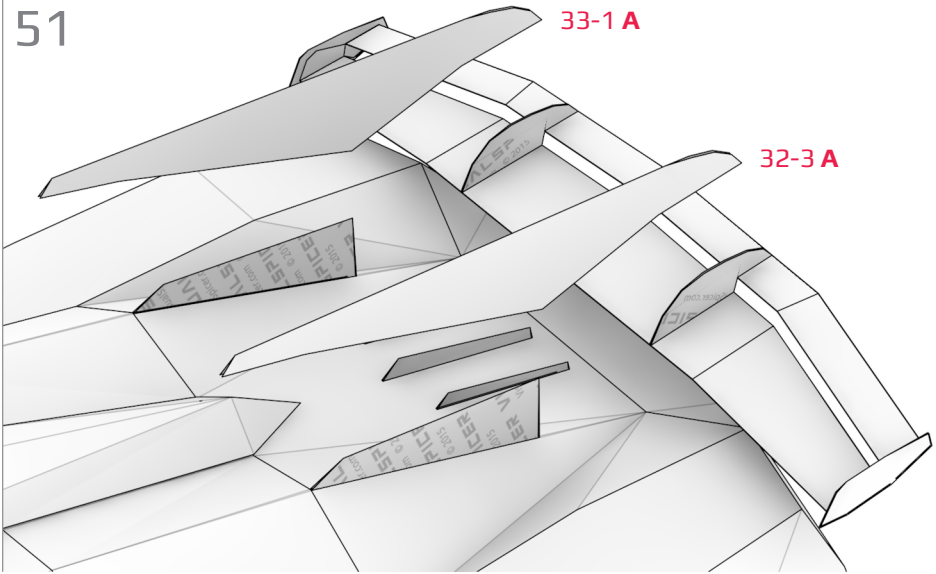
50



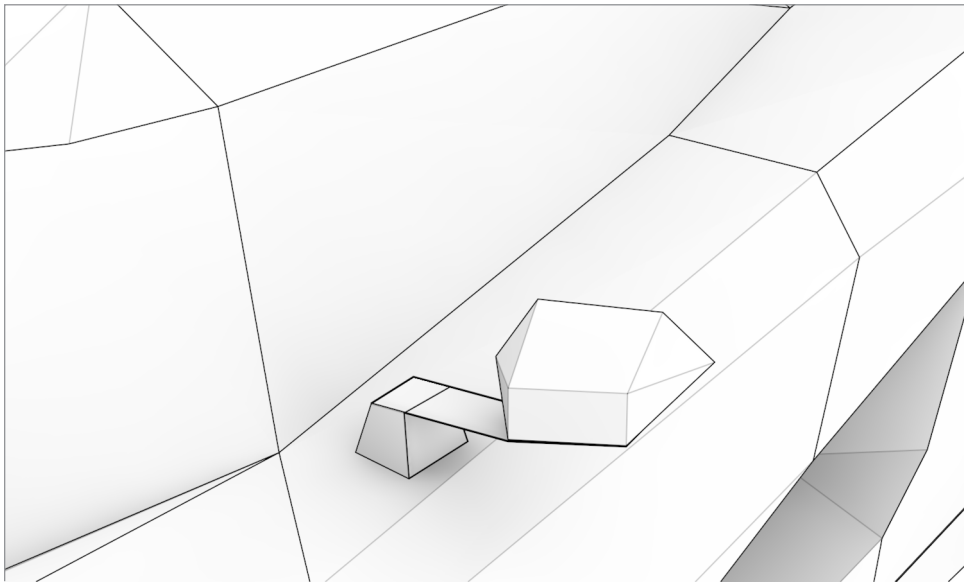
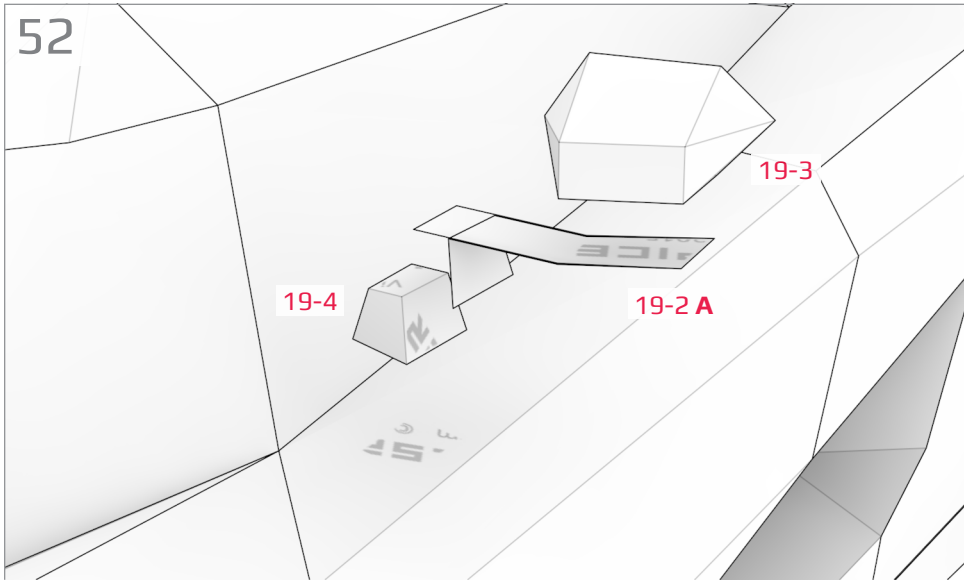
**A:** Apply glue inside part.



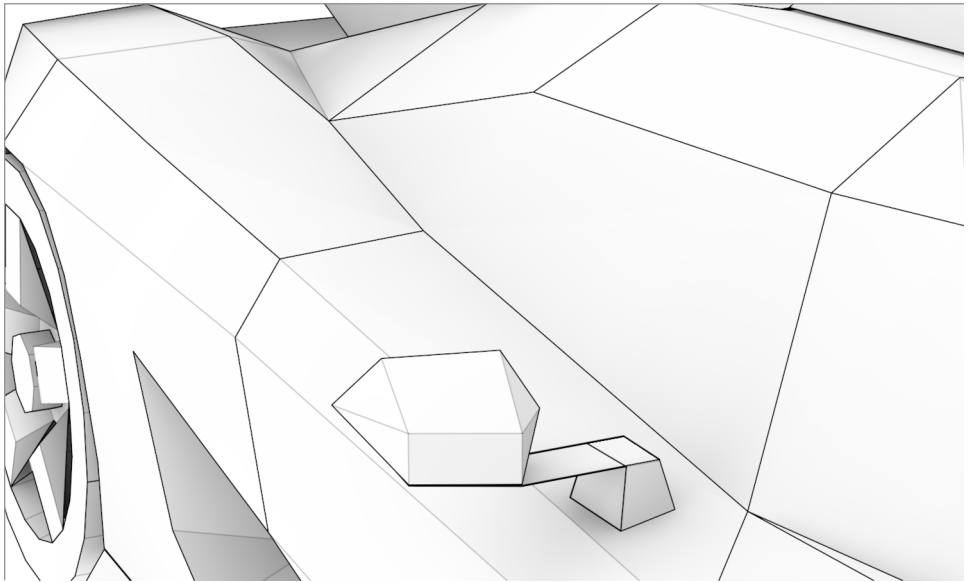
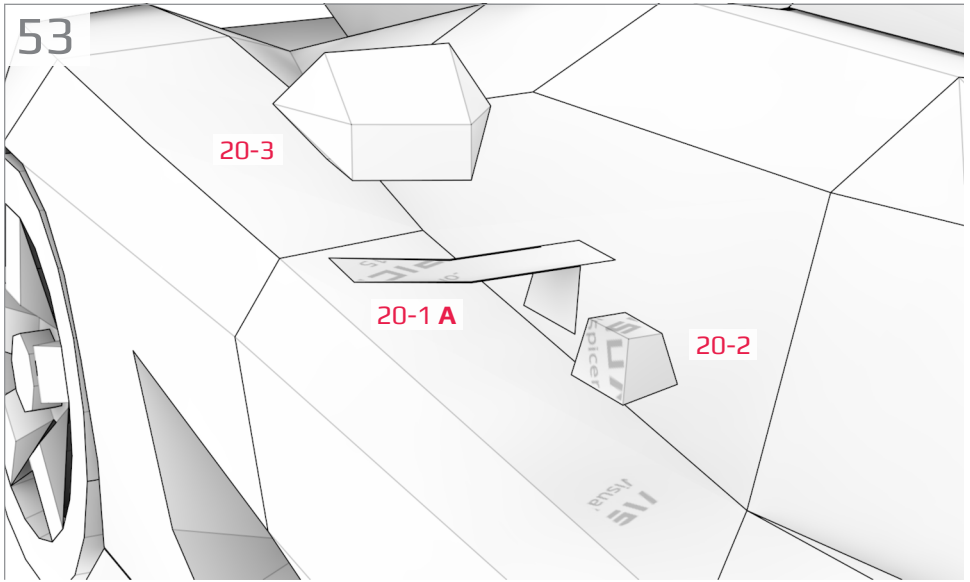
51



**A:** Apply glue inside part.

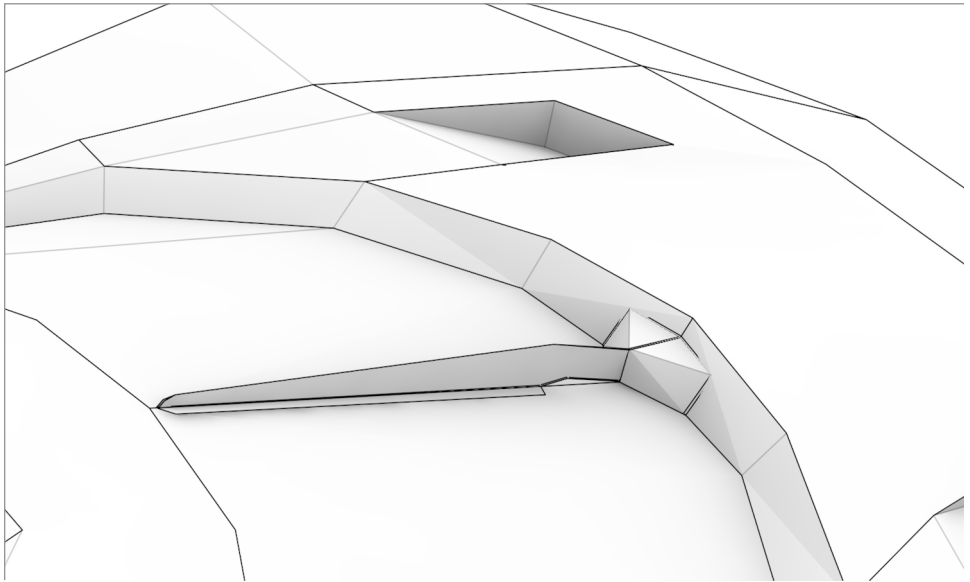
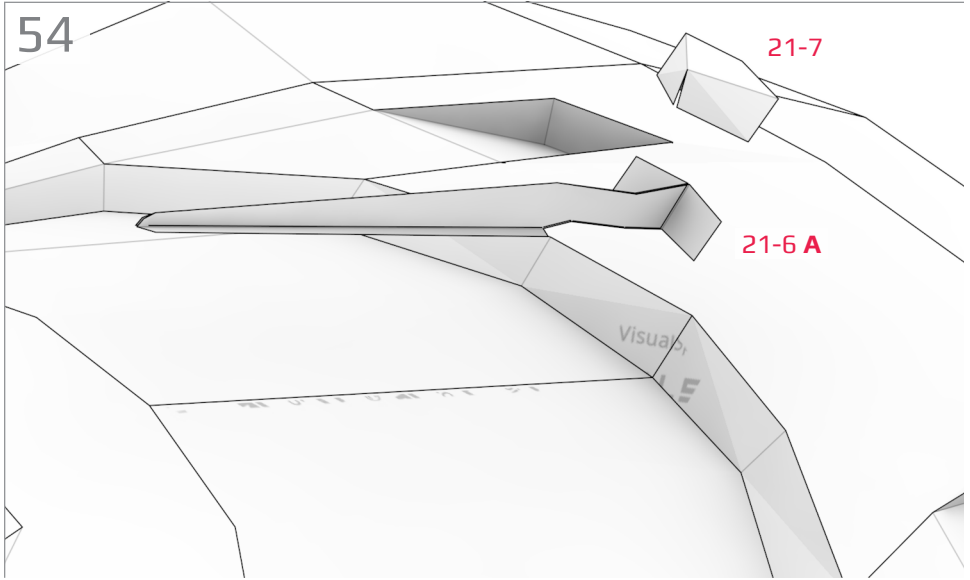


**A:** Apply glue inside part.



**A:** Apply glue inside part.

54



**A:** Apply glue inside part.

## THANK YOU

Send comments and build photos to [mail@visualspicer.com](mailto:mail@visualspicer.com)



### Colossians 3:23-24

Whatever my hands find to do, I work at it with all my heart as working for the Lord, Jesus Christ...