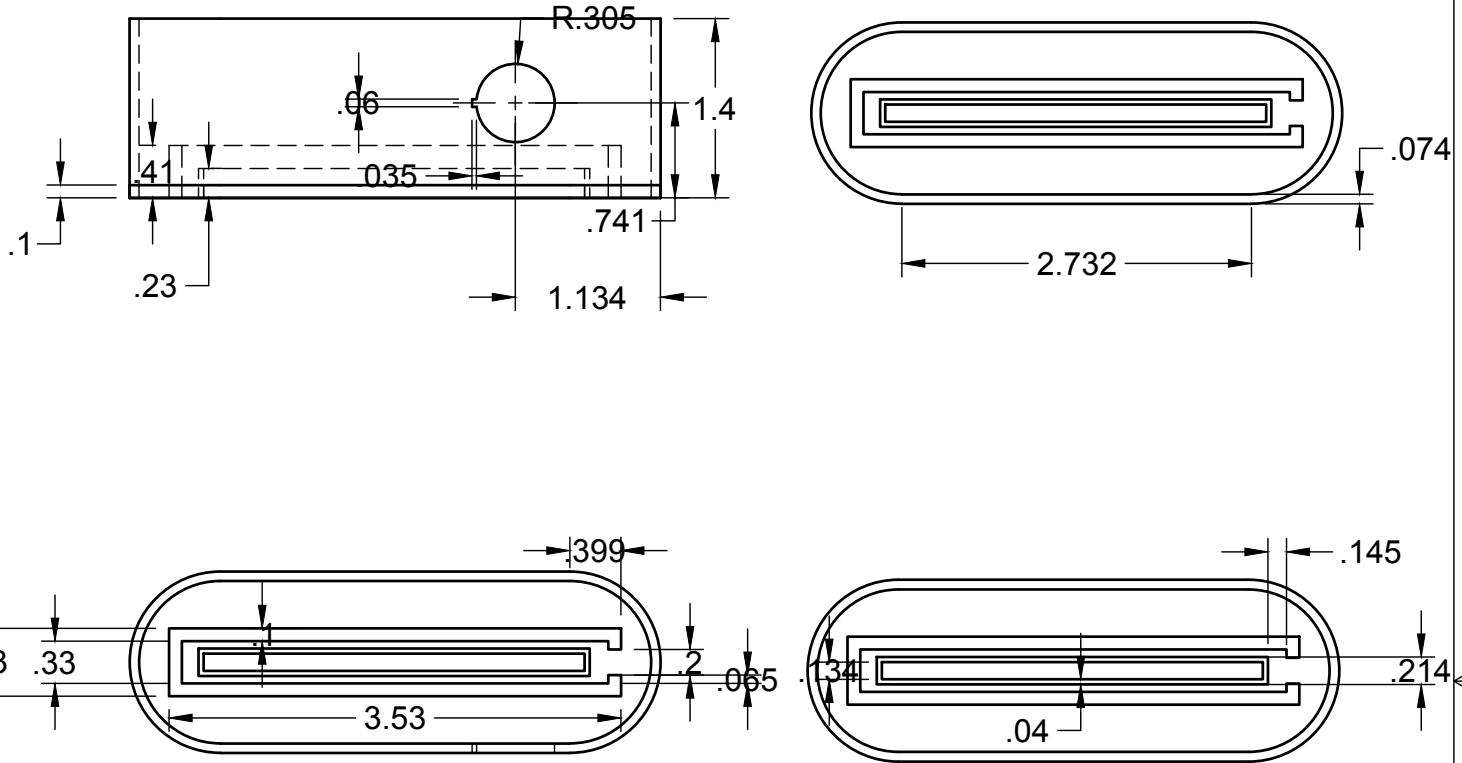


# Body of LED Fixture



PROJECT

**Instructables**

TITLE

**LED\_Fixture**

APPROVED

CHECKED

DRAWN

Youjia He

6/16/23

SIZE

A

CODE

SCALE 1:2

DWG NO

WEIGHT

REV

SHEET 1/1