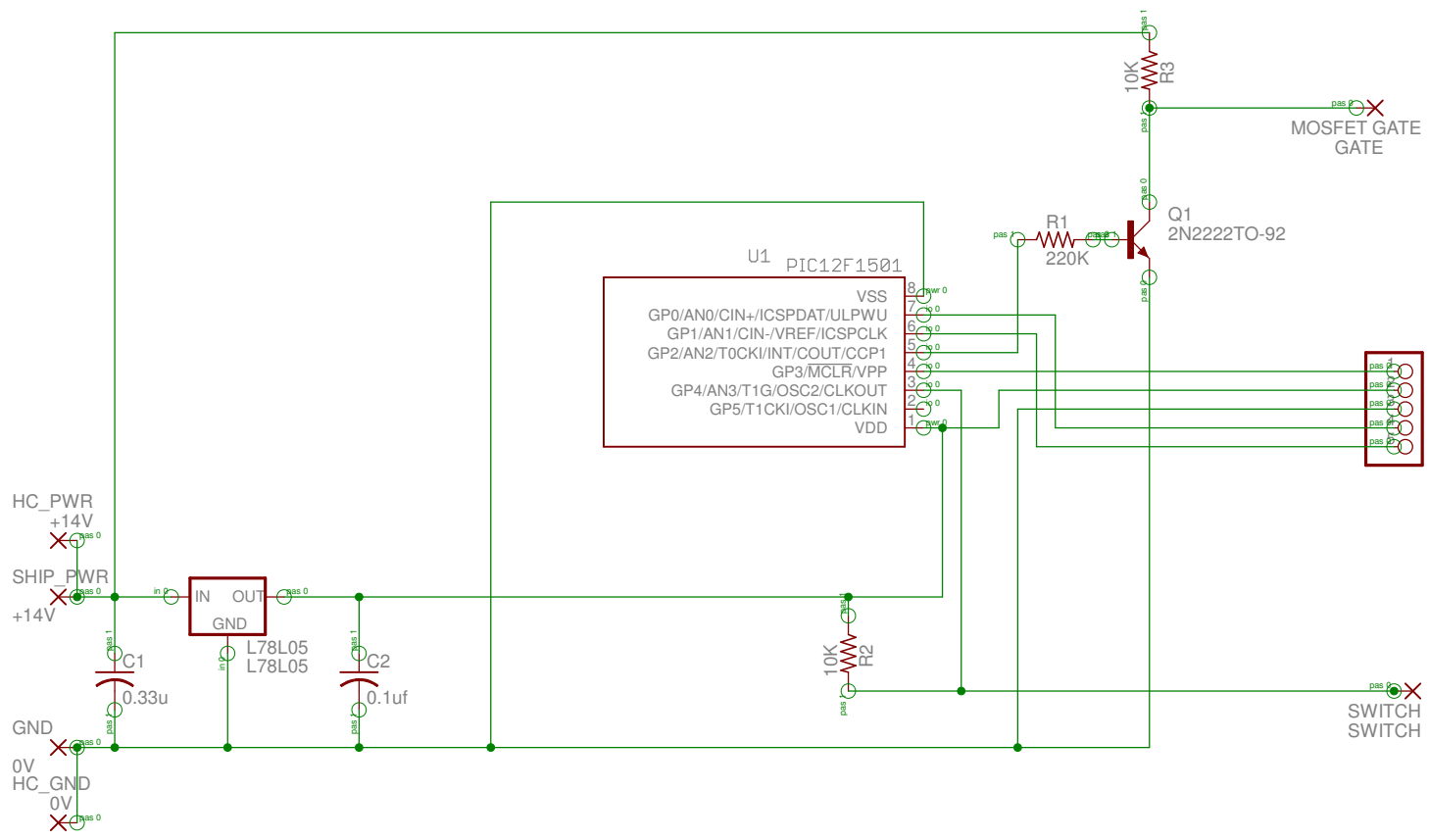


H1
MOUNT-HOLE4.1

H2
MOUNT-HOLE4.1



HC_PWR
+14V
SHIP_PWR
+14V
GND
0V
HC_GND
0V

MOSFET GATE
GATE

SWITCH
SWITCH

H4
MOUNT-HOLE4.1

H3
MOUNT-HOLE4.1

TITLE: Landing Light 4	
Document Number:	REV:
Date: 3/14/2014 8:33:06 AM	Sheet: 1/1