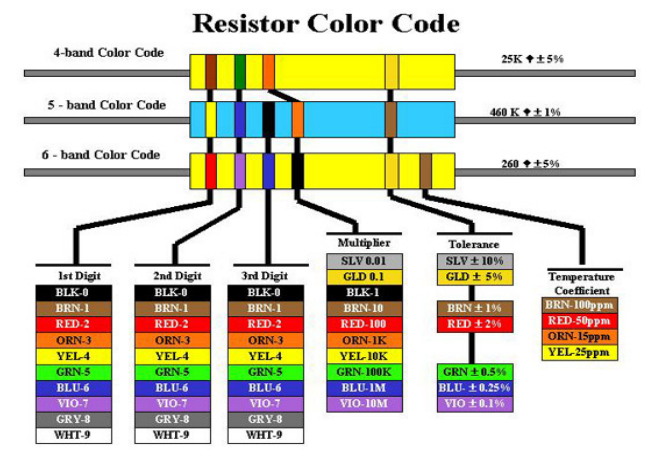
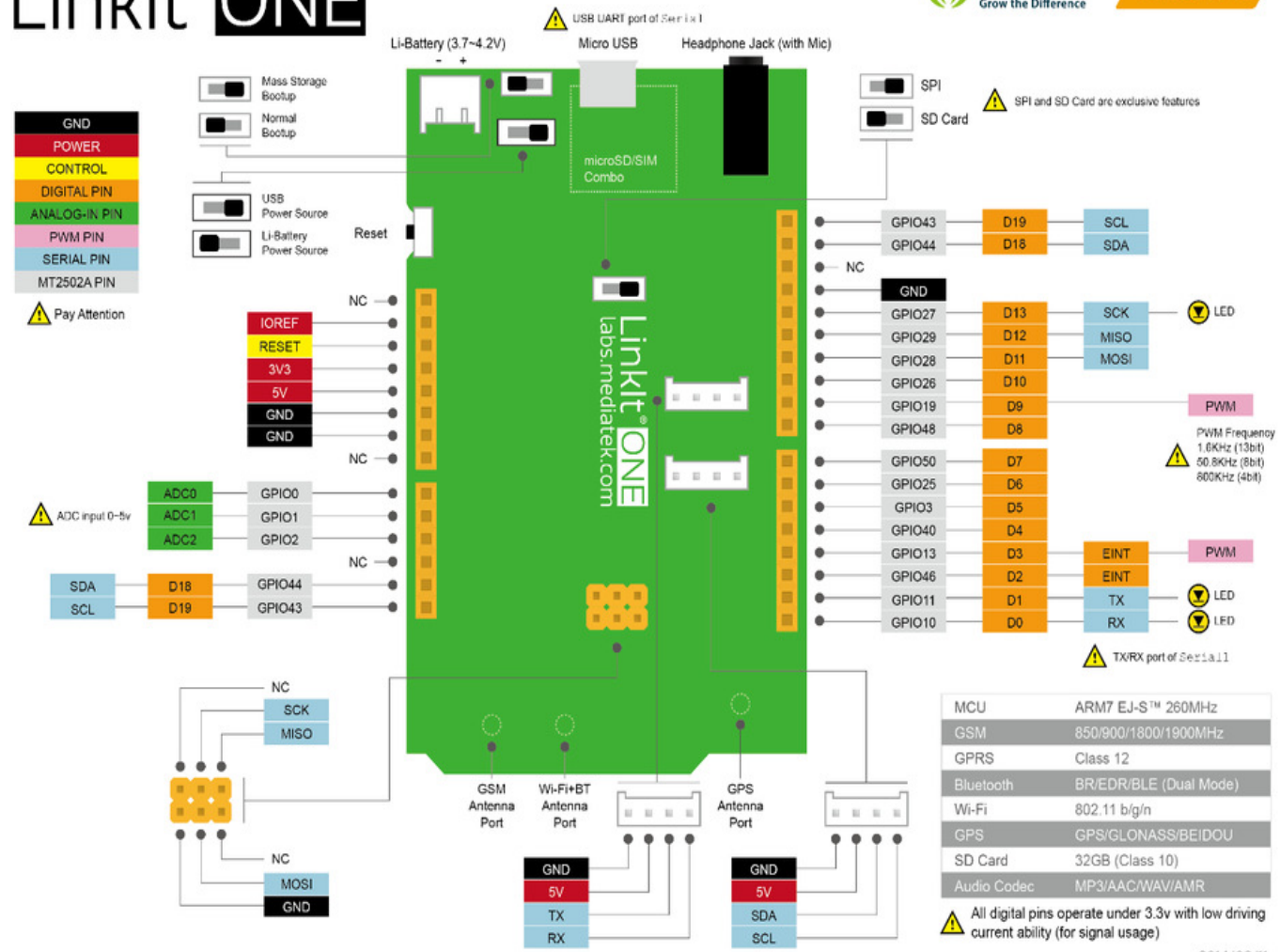


Switch No.	Functionality	Position 1 - Functionality	Position 2 - Functionality
1	Program Mode	MS : In this position, when connected to PC, LinkIt One board will be shown as 10MB USB drive. The program will not execute in this mode. Any file that is copied to this drive can be read via the code.	UART : This position is used to set the board to program mode. Firmware can be uploaded in this mode.
2	Power	BAT : Board powered by Li-ion Battery. To charge battery, set the switch to this position and connect the board to PC.	USB : Board powered by USB port. Set the switch to this position when there is no battery connected to program the board.
3	SD/SPI	SPI : This position allows access of external SPI pins (D10 - D13)	SD : This position allows the code to access SD card. This mode also disables access of SPI pins (D10-D13).



LinkIt ONE



2014/08/11

Switch No.	Functionality	Position 1 - Functionality	Position 2 - Functionality
1	Program Mode	MS : In this position, when connected to PC, LinkIt One board will be shown as 10MB USB drive. The program will not execute in this mode. Any file that is copied to this drive can be read via the code.	UART : This position is used to set the board to program mode. Firmware can be uploaded in this mode.
2	Power	BAT : Board powered by Li-ion Battery. To charge battery, set the switch to this position and connect the board to PC.	USB : Board powered by USB port. Set the switch to this position when there is no battery connected to program the board.
3	SD/SPI	SPI : This position allows access of external SPI pins (D10 - D13)	SD : This position allows the code to access SD card. This mode also disables access of SPI pins (D10-D13).

