

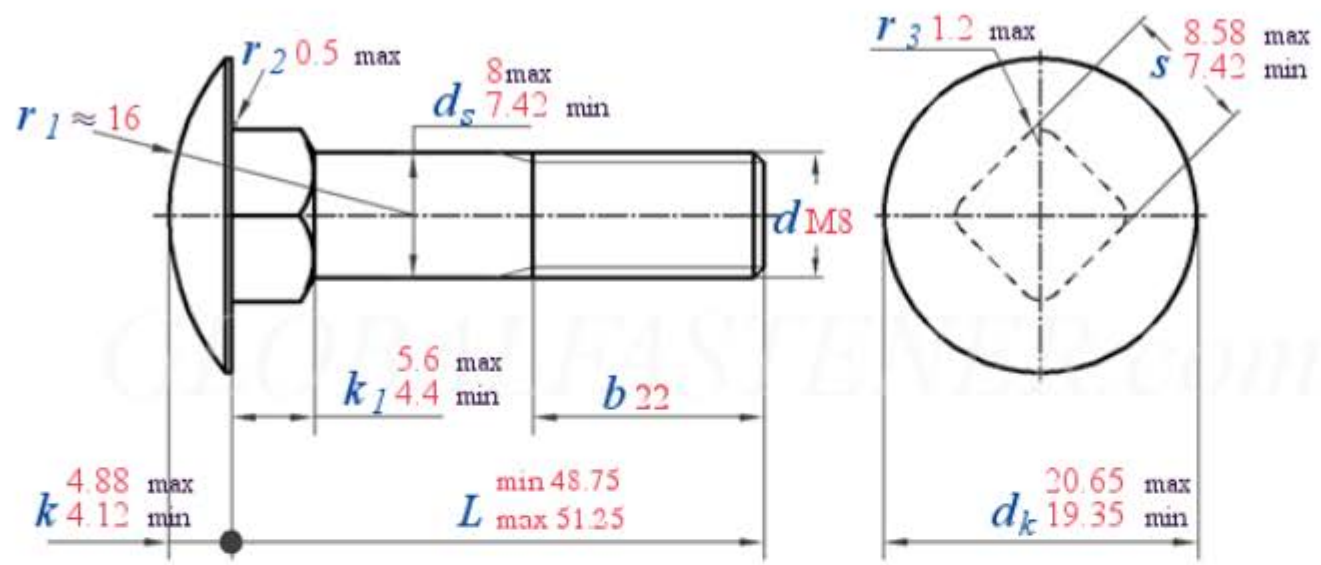
Specifications

- M5
- M6
- M8
- M10
- M12
- M16
- M20

- L
- 35
 - 40
 - 45
 - 50
 - 55
 - 60
 - 65
 - 70
 - 80

Dimensions indicated with measurements

Dimensions without measurements.



Unit: mm

- ①,Material:
- a)Steel, Strength class: 4.6,4.8,8.8 Standard DIN EN ISO 898-1
 - b)Stainless steel, Strength class: A2-70,A4-70 Standard DIN EN ISO 3506-1

Thread Size		M8
	d	
P	Pitch	1.25
b	L ≤ 125	22
	125 < L ≤ 200	28
	L > 200	41
dk	max	20.65
	min	19.35
ds	max	8
	min	7.42
k1	max	5.6
	min	4.4
k	max	4.88
	min	4.12
r1	≈	16
r2	max	0.5
r3	max	1.2
s	max	8.58
	min	7.42
Thousand-piece weight of steel ≈ kg		25.0
Thread length b		22