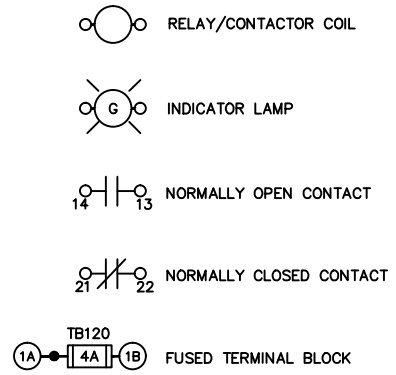
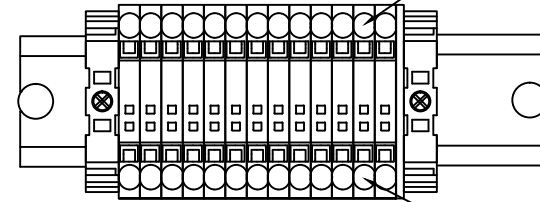




INSTRUMENTATION SYMBOLS



TYPICAL TERMINAL BLOCK ARRANGEMENT



THIS IS TERMINAL 12A

THIS IS TERMINAL 12B

THIS IS TERMINAL 12A

THIS IS TERMINAL 12C

THIS IS TERMINAL 12D

THIS IS TERMINAL 12B

GENERAL NOTES

- UNLESS OTHERWISE STATED, ALL CABLES SPECIFIED IN THIS DRAWING PACKAGE MAY SHARE CONDUIT SPACE WITH OTHER CABLES. CABLES SHALL NOT OCCUPY CONDUIT SPACE WITH CABLES FROM ANY OTHER SYSTEM UNLESS SPECIFIED BY THE VENDOR.
- IF A CABLE SHOULD HAVE TO CROSS AN AC POWER CABLE, BOTH CABLES SHALL CROSS AT A 90° ANGLE TO ONE ANOTHER.

WEB: WWW.GUARNERO.COM

**MADAMK INSTRUMENTATION SYMBOLS**

**MADAMK ELEC.DWG**

DESIGNED BY JOHN GUARNERO	CHECKED BY JOHN GUARNERO	DATE NOVEMBER 21, 2014	SCALE AS-BUILT
DRAWING NO. MADAMK		SHEET 2 OF 9	
REV		REVISION	

REV	DATE	DESCRIPTION	BY	CHKD BY	ITEM NO.

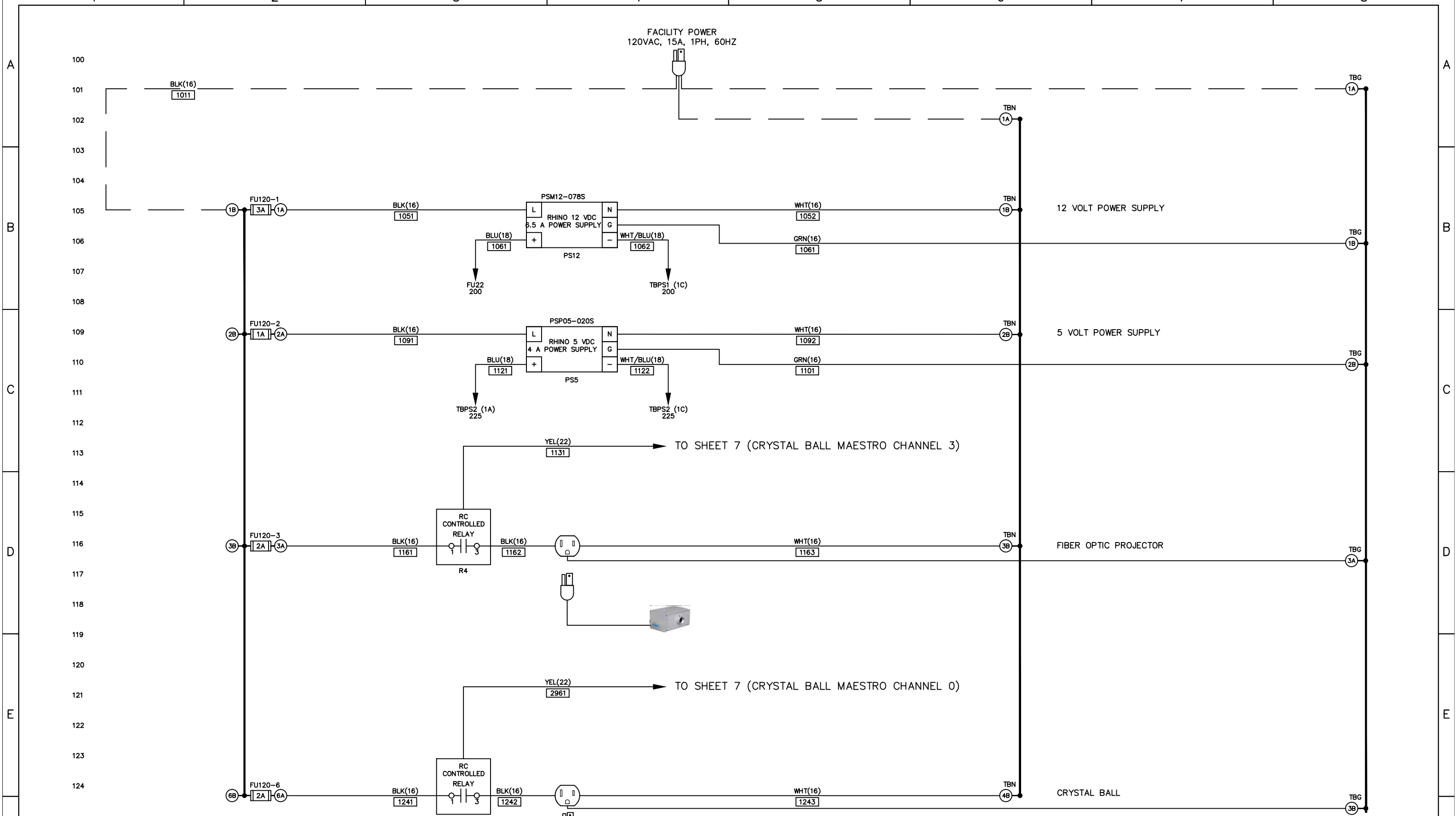
TOLERANCES  
DO NOT SCALE DRAWING


±1/16" FRACTIONS UNLESS OTHERWISE SPECIFIED

±1/16" FRACTIONS UNLESS OTHERWISE SPECIFIED

±0.010" ALLOWED ON DIMENSIONS CONTROLLED FINISHED SURFACES UNLESS OTHERWISE SPECIFIED

±1/60" ANGULAR TOLERANCES UNLESS OTHERWISE SPECIFIED

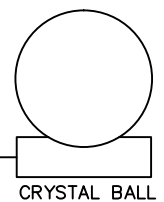



 WEB: WWW.GUARNERO.COM

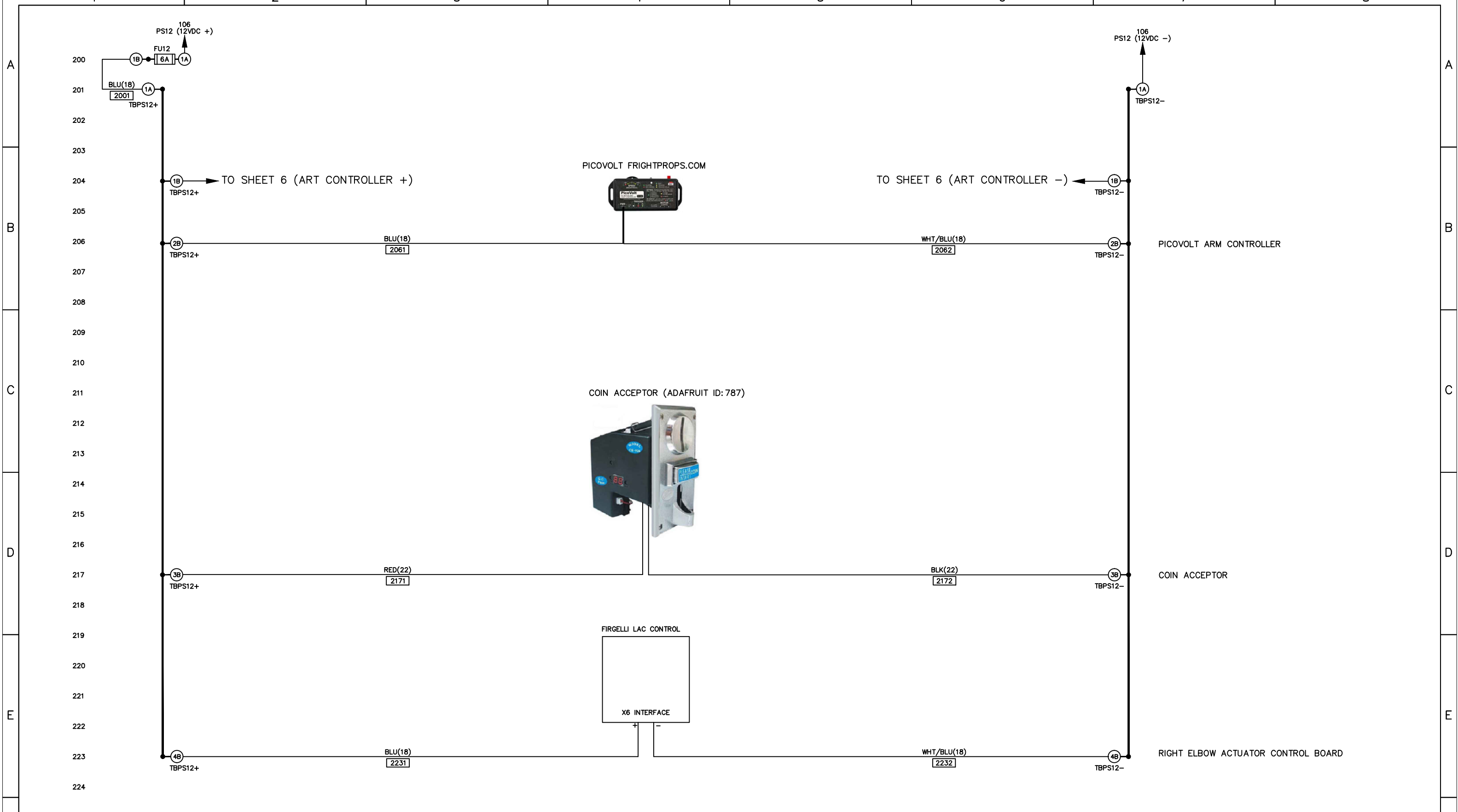
<b>120 VAC POWER DISTRIBUTION</b>		MADAMK ELEC.DWG	
MADAMK		MADAMK	
DESIGNED BY: JOHN GUARNERO	CHECKED BY: JOHN GUARNERO	DATE: NOVEMBER 21, 2014	SCALE: AS-BUILT
MADAMK		SHEET 3 OF 9	
		REVISION A	

TOLERANCES  
 DO NOT SCALE DRAWING  
 ±1/16"  
 ±1/16"  
 ±0.010"  
 ±1/60"

REV	DATE	DESCRIPTION	BY	CHKD BY	ITEM NO.



CRYSTAL BALL



PICOVOLT FRIGHTPROPS.COM

COIN ACCEPTOR (ADAFRUIT ID: 787)

FERGELLI LAC CONTROL

X6 INTERFACE

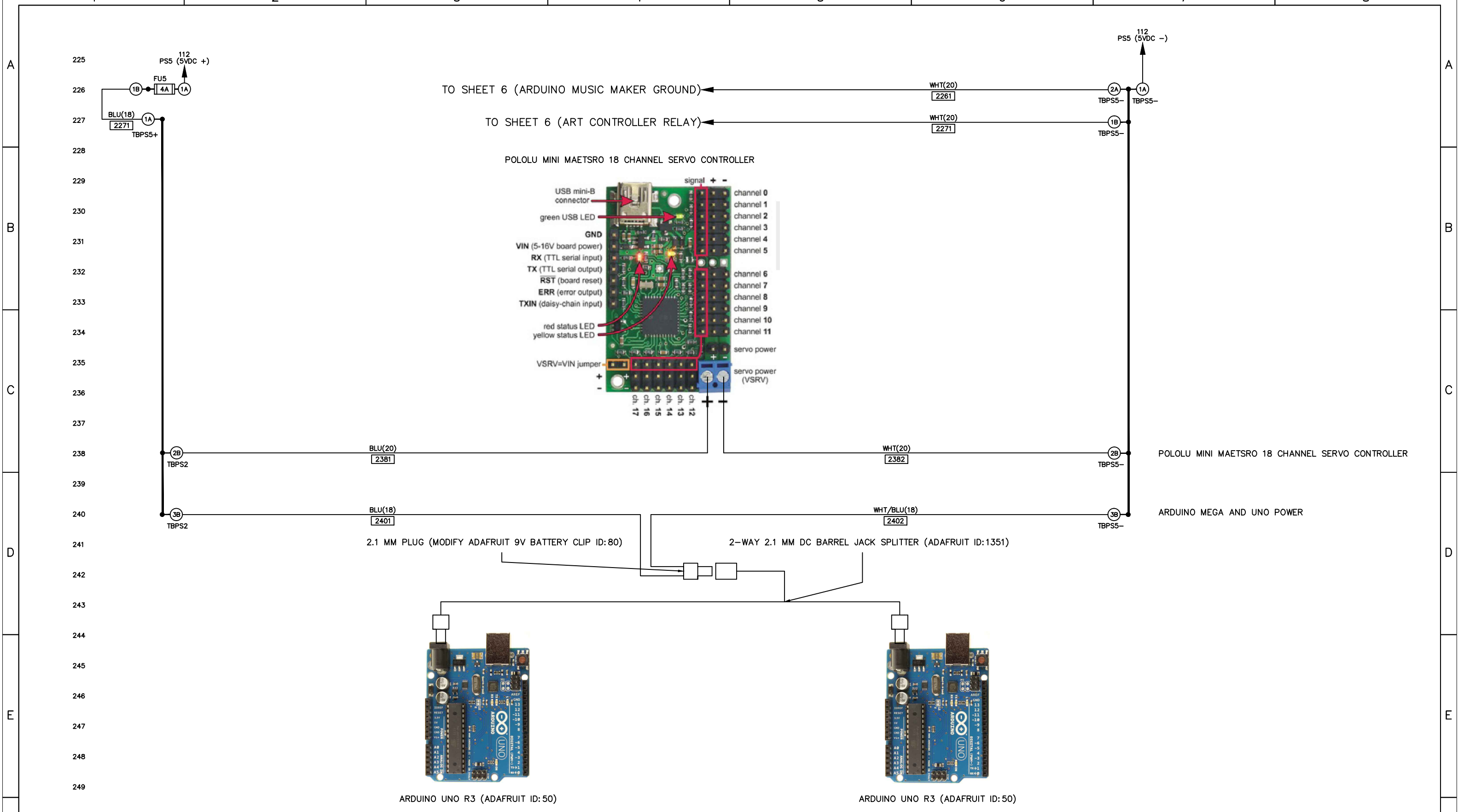


WEB: WWW.GUARNERO.COM

TOLERANCES  
DO NOT SCALE DRAWING  
±1/16"  
±1/16"  
±0.010"  
±1/60"

REV	DATE	DESCRIPTION	BY	CHKD BY	ITEM NO.
D					

PROJECT: MADAMK		DRAWN BY: JOHN GUARNERO		CHECKED BY: JOHN GUARNERO	
DATE: NOVEMBER 21, 2014		SCALE: AS-BUILT		REVISION: A	
SHEET 4 OF 9					



**3G INC.** WEB: WWW.GUARNERO.COM

**<PSS> 5 VOLT DC POWER**

**MADAMK** MADAMK ELEC.DWG

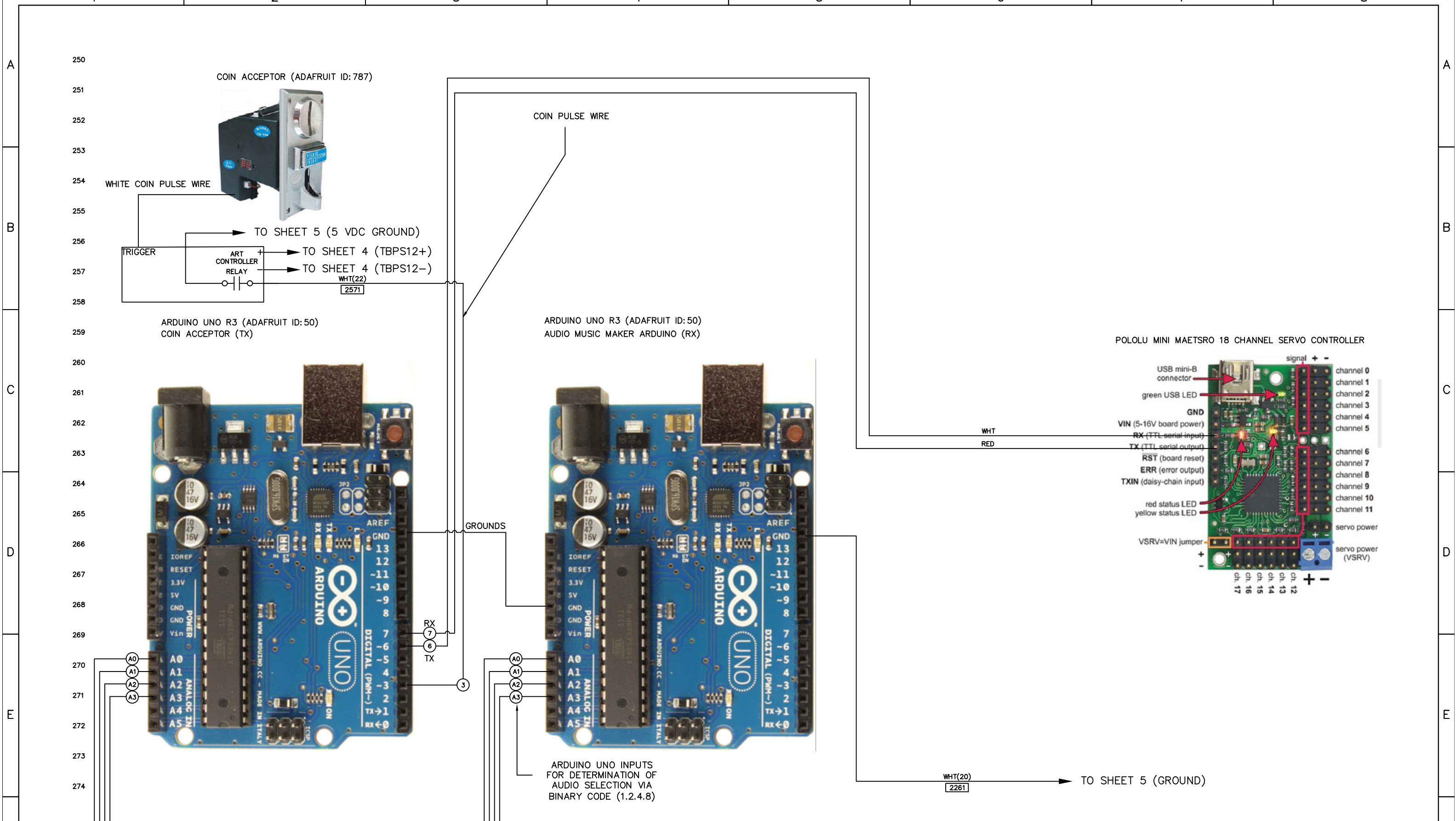
DESIGNED BY: JOHN GUARNERO	CHECKED BY: JOHN GUARNERO	DATE: NOVEMBER 21, 2014	AS-BUILT
DRAWN BY: MADAMK		REVISION	

SHEET 5 OF 9 A

REV	DATE	DESCRIPTION	BY	CHKD BY	ITEM NO.

TOLERANCES  
DO NOT SCALE DRAWING  
±1/16" FRACTIONS UNLESS OTHERWISE SPECIFIED  
±1/16" FRACTIONS UNLESS OTHERWISE SPECIFIED  
±0.010" ALLOWED ON DIMENSIONS UNLESS OTHERWISE SPECIFIED  
±1/60" ANGULAR TOLERANCES UNLESS OTHERWISE SPECIFIED





**AG INC.** WEB: WWW.GUARNERO.COM

**INTERCONNECTION SCHEMATIC**

MADANK

MADANK ELEC.DWG

JOHN GUARNERO JOHN GUARNERO JOHN GUARNERO

NOVEMBER 21, 2014 AS-BUILT

MADANK

SHEET 6 OF 9

REVISION A

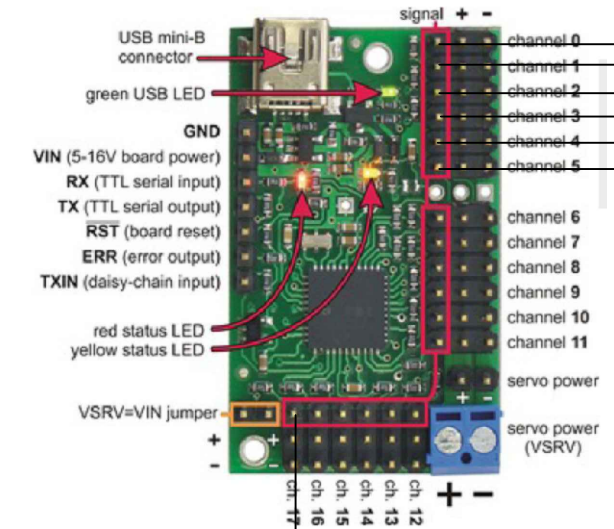
**TOLERANCES**  
DO NOT SCALE DRAWING

±1/16"  
±1/16"  
±0.010"  
±1/60"

FRONTING DIMENSIONS UNLESS OTHERWISE SPECIFIED  
OVERSIZED DIMENSIONS UNLESS OTHERWISE SPECIFIED  
ALLOWED ON DIMENSIONS CONTROLLED BY FINISH UNLESS OTHERWISE SPECIFIED  
DIMENSIONS UNLESS OTHERWISE SPECIFIED

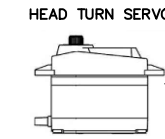
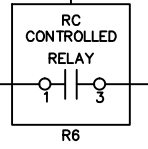
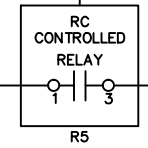
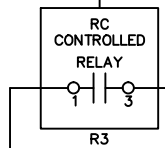
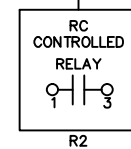
REV	DATE	DESCRIPTION	BY	CHKD BY	ITEM NO.
D					

POLOLU MINI MAETSRO 18 CHANNEL SERVO CONTROLLER



TO SHEET 3 (R1-CRYSTAL BALL RELAY)

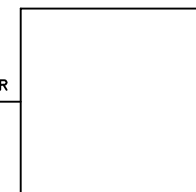
TO SHEET 3 (R4-PROJECTOR RELAY)



SERVO POWER WIRE



FIRGELLI LAC CONTROL




YEL(22)  
2981

BLU(22)  
2891

BLU(22)  
2941

YEL(22)  
2801


 WEB: WWW.GUARNERO.COM  
**SERVO INTERCONNECTION**  
 MADAMK  
 DRAWN BY: JOHN GUARNERO  
 CHECKED BY: JOHN GUARNERO  
 DATE: NOVEMBER 21, 2014  
 SCALE: AS-BUILT  
 SHEET 7 OF 9  
 REVISION A

TOLERANCES  
 DO NOT SCALE DRAWING  
 ±1/16"  
 ±1/16"  
 ±0.010"  
 ±1/60"

REV	DATE	DESCRIPTION	BY	CHKD BY	ITEM NO.
D					



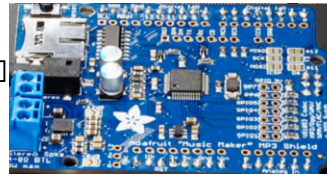
PICOTALK

RIGHT SPEAKER AUDIO



LEPAI AMPLIFIER

MUSIC MAKER SHIELD (ADAFRUIT ID:94)



AUDIO SPLITTER

AUDIO SPLITTER

PYLE PTA2 AMPLIFIER



8 OHM SPEAKER



8 OHM SPEAKER



**3G INC.** WEB: WWW.GUARNERO.COM

**AUDIO INTERCONNECTION**

MADAMK

DESIGNED BY JOHN GUARNERO CHECKED BY JOHN GUARNERO  
 DRAWN BY JOHN GUARNERO DATE NOVEMBER 21, 2014

MADAMK

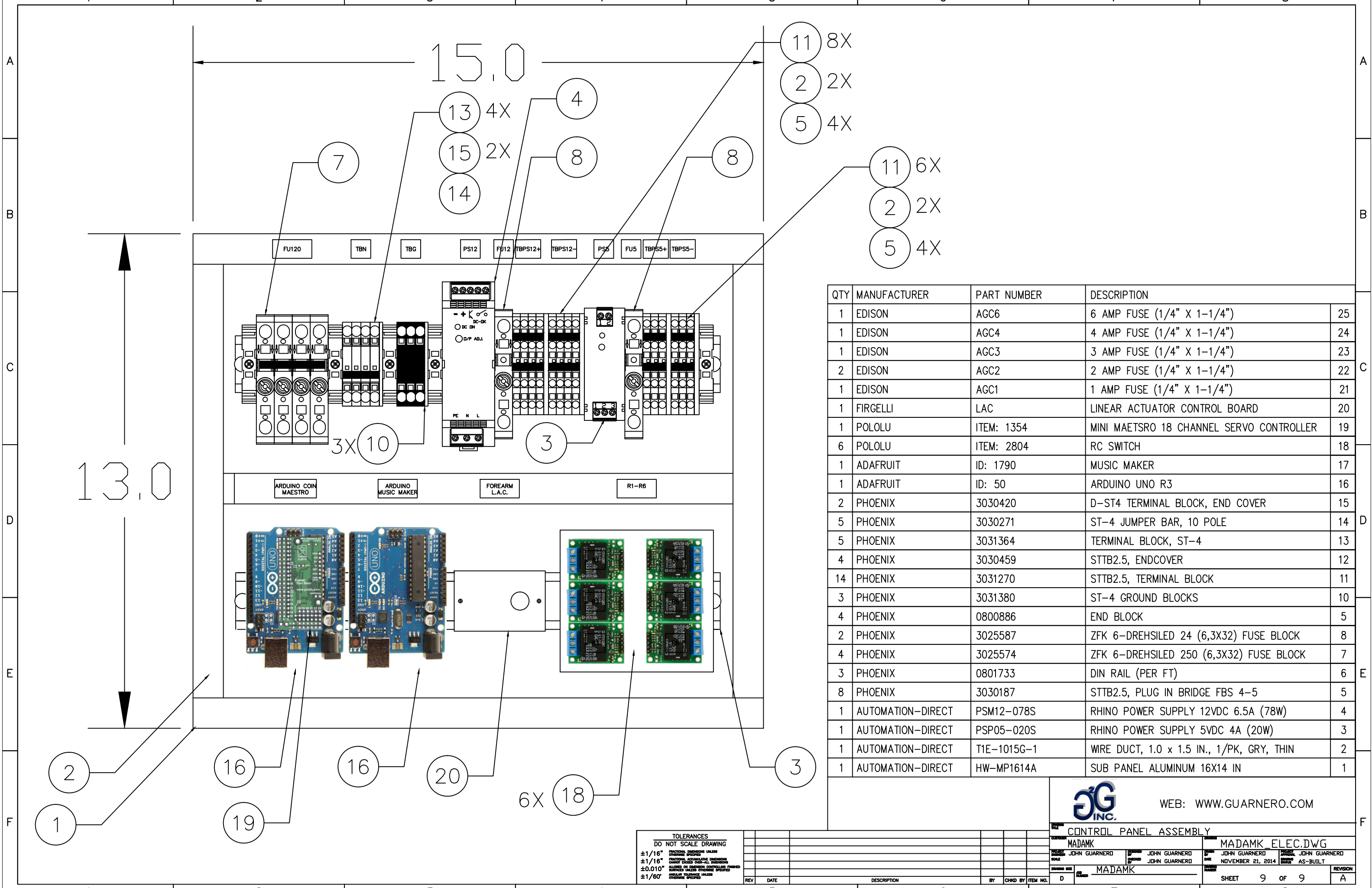
SHEET 8 OF 9 REVISION A

TOLERANCES  
DO NOT SCALE DRAWING


±1/16"	FRACTIONAL DIMENSIONS UNLESS OTHERWISE SPECIFIED
±1/16"	FRACTIONAL DECIMAL DIMENSIONS UNLESS OTHERWISE SPECIFIED
±0.010"	ALLOWED ON DIMENSIONS COMPRISED FINISHED SURFACES UNLESS OTHERWISE SPECIFIED
±1/60"	ANGULAR TOLERANCES UNLESS OTHERWISE SPECIFIED

REV	DATE	DESCRIPTION	BY	CHKD BY	ITEM NO.
D					





QTY	MANUFACTURER	PART NUMBER	DESCRIPTION	
1	EDISON	AGC6	6 AMP FUSE (1/4" X 1-1/4")	25
1	EDISON	AGC4	4 AMP FUSE (1/4" X 1-1/4")	24
1	EDISON	AGC3	3 AMP FUSE (1/4" X 1-1/4")	23
2	EDISON	AGC2	2 AMP FUSE (1/4" X 1-1/4")	22
1	EDISON	AGC1	1 AMP FUSE (1/4" X 1-1/4")	21
1	FIRGELLI	LAC	LINEAR ACTUATOR CONTROL BOARD	20
1	POLOLU	ITEM: 1354	MINI MAETRO 18 CHANNEL SERVO CONTROLLER	19
6	POLOLU	ITEM: 2804	RC SWITCH	18
1	ADAFRUIT	ID: 1790	MUSIC MAKER	17
1	ADAFRUIT	ID: 50	ARDUINO UNO R3	16
2	PHOENIX	3030420	D-ST4 TERMINAL BLOCK, END COVER	15
5	PHOENIX	3030271	ST-4 JUMPER BAR, 10 POLE	14
5	PHOENIX	3031364	TERMINAL BLOCK, ST-4	13
4	PHOENIX	3030459	STTB2.5, ENDCOVER	12
14	PHOENIX	3031270	STTB2.5, TERMINAL BLOCK	11
3	PHOENIX	3031380	ST-4 GROUND BLOCKS	10
4	PHOENIX	0800886	END BLOCK	5
2	PHOENIX	3025587	ZFK 6-DREHSILED 24 (6,3X32) FUSE BLOCK	8
4	PHOENIX	3025574	ZFK 6-DREHSILED 250 (6,3X32) FUSE BLOCK	7
3	PHOENIX	0801733	DIN RAIL (PER FT)	6
8	PHOENIX	3030187	STTB2.5, PLUG IN BRIDGE FBS 4-5	5
1	AUTOMATION-DIRECT	PSM12-078S	RHINO POWER SUPPLY 12VDC 6.5A (78W)	4
1	AUTOMATION-DIRECT	PSP05-020S	RHINO POWER SUPPLY 5VDC 4A (20W)	3
1	AUTOMATION-DIRECT	T1E-1015G-1	WIRE DUCT, 1.0 x 1.5 IN., 1/PK, GRY, THIN	2
1	AUTOMATION-DIRECT	HW-MP1614A	SUB PANEL ALUMINUM 16X14 IN	1


 WEB: WWW.GUARNERO.COM

**CONTROL PANEL ASSEMBLY**

**MADAMK**  
 MADAMK ELEC.DWG  
 JOHN GUARNERO  
 JOHN GUARNERO  
 JOHN GUARNERO  
 JOHN GUARNERO  
 NOVEMBER 21, 2014  
 AS-BUILT

SHEET 9 OF 9  
 A

TOLERANCES  
 DO NOT SCALE DRAWING  
 ±1/16" FRACTIONS UNLESS OTHERWISE SPECIFIED  
 ±1/16" DECIMALS UNLESS OTHERWISE SPECIFIED  
 ±0.010" ANGLES UNLESS OTHERWISE SPECIFIED  
 ±1/60" ANGLES UNLESS OTHERWISE SPECIFIED

REV	DATE	DESCRIPTION	BY	CHKD BY	ITEM NO.	D