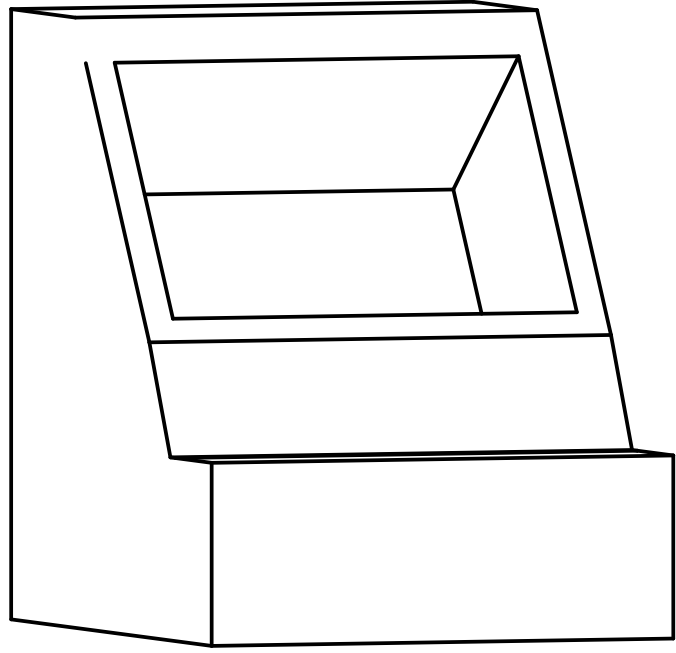
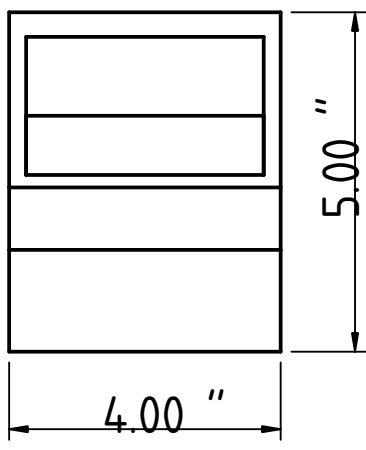
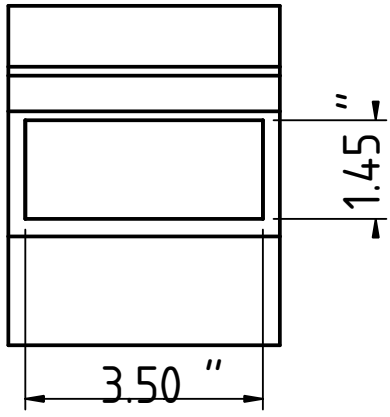


F E D C B A

4
3
2
1



DESIGNED BY: Juan Jaramillo		Marker Holder		G	-
DATE: 04/22/2021				F	-
SIZE: A4				E	-
				D	-
				C	-
SCALE	WEIGHT (kg)	DRAWING NUMBER	SHEET	B	-
	1.75 Lbs	Jaramillo.01	1	A	-
This drawing is our property; it can't be reproduced or communicated without our written consent.					

F E D

G
F
E
D
C
B
A