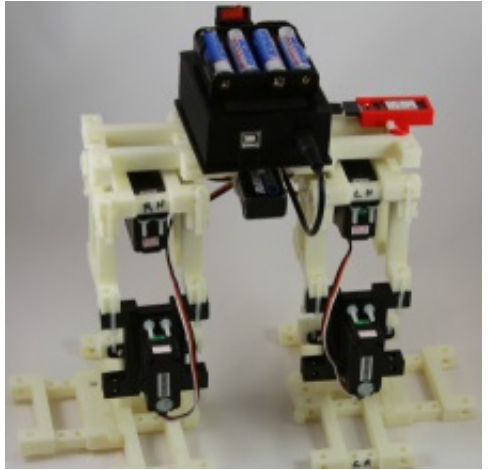
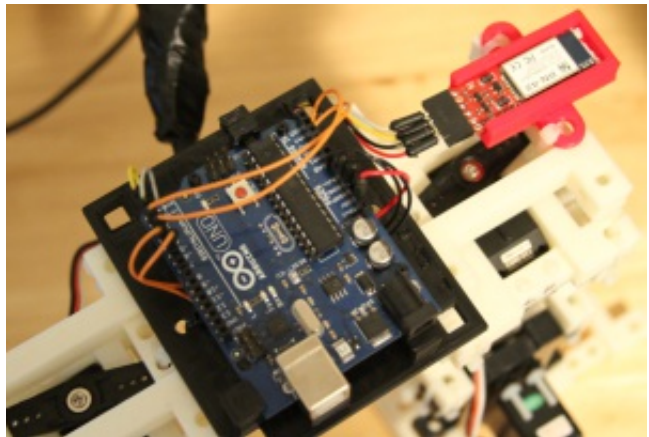
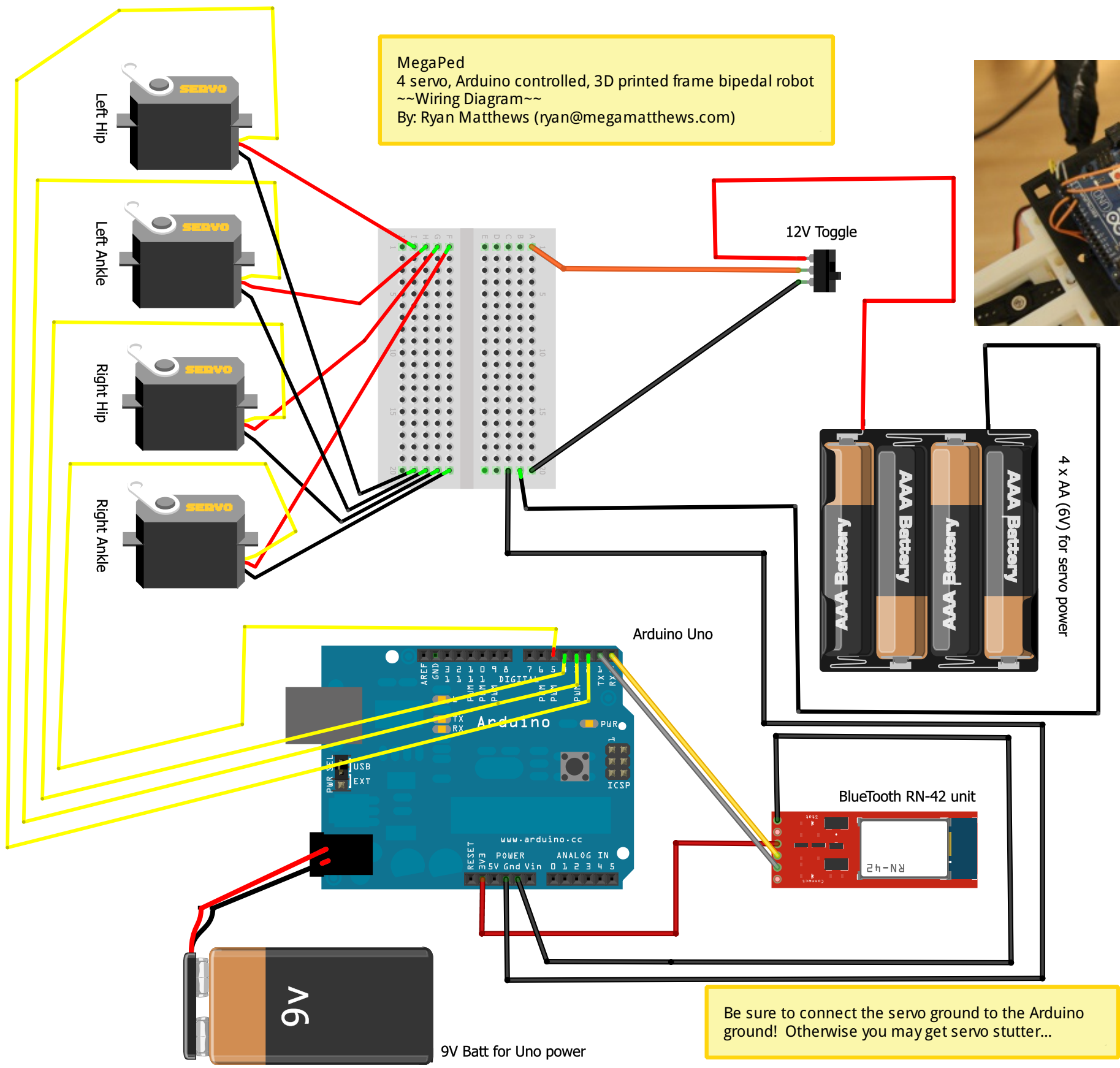


MegaPed
4 servo, Arduino controlled, 3D printed frame bipedal robot
~~Wiring Diagram~~
By: Ryan Matthews (ryan@megamatthews.com)



Be sure to connect the servo ground to the Arduino ground! Otherwise you may get servo stutter...