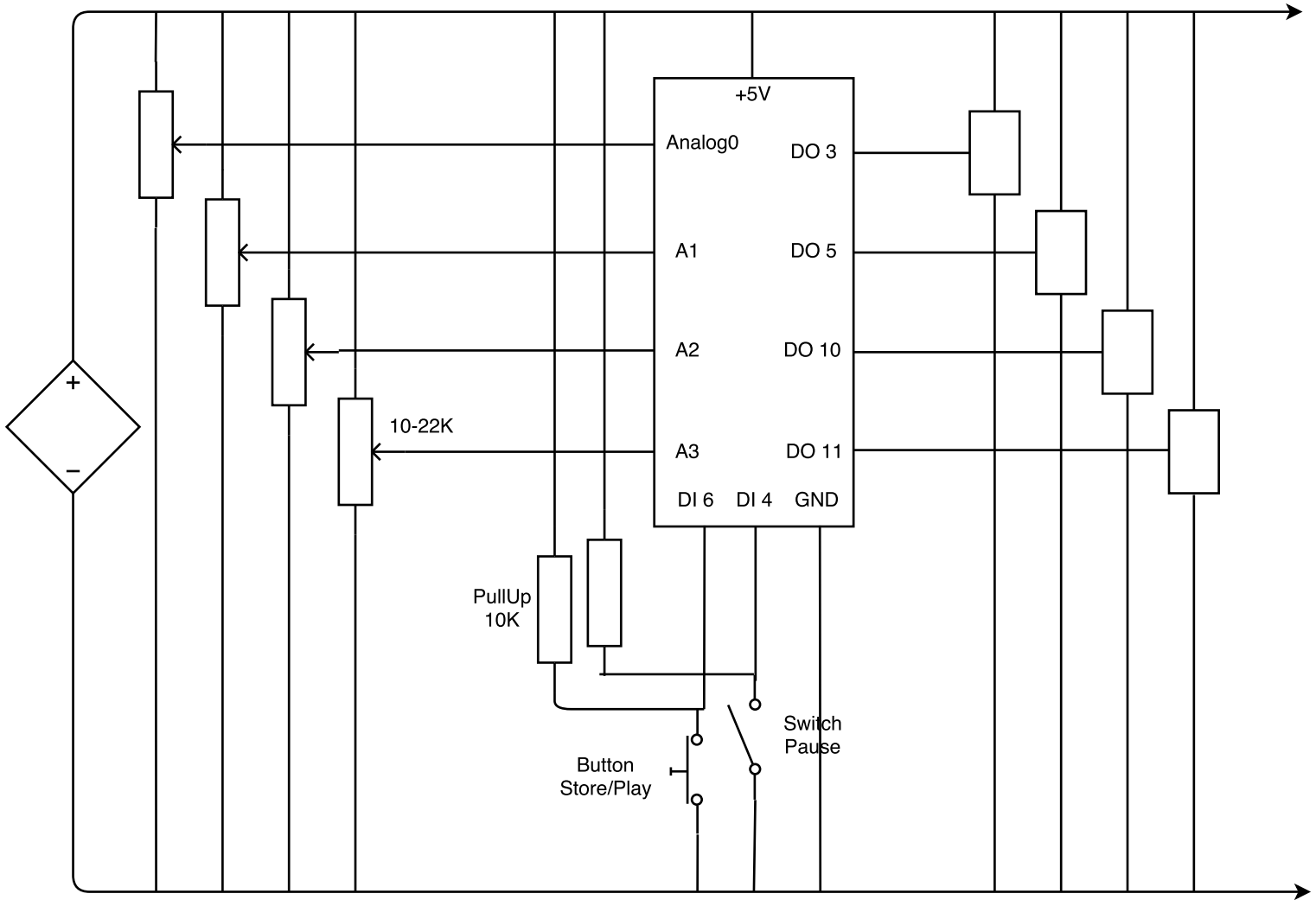


Battery
4.8V

Variable
Resistor

Arduino
Pro Mini 5V

Servo



Change the code
'while (digitalRead(4) == true)'
 (switch to +5V)
 to
'while (digitalRead(4) == false)'
 (switch to GND)