

1

2

3

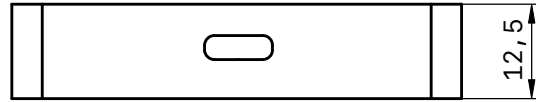
4

5

6

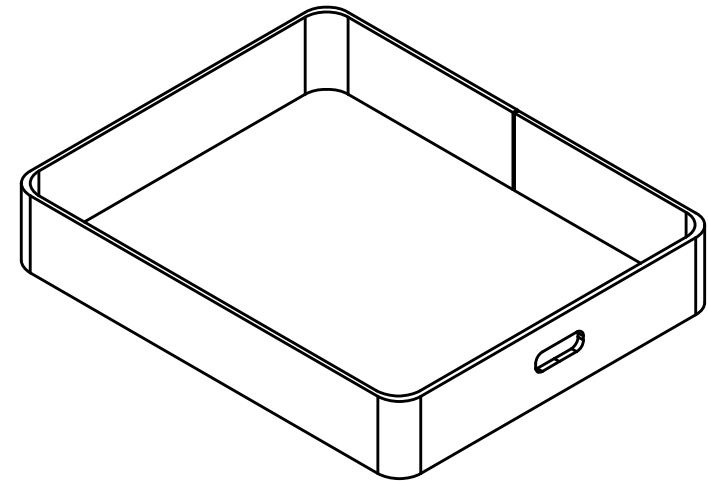
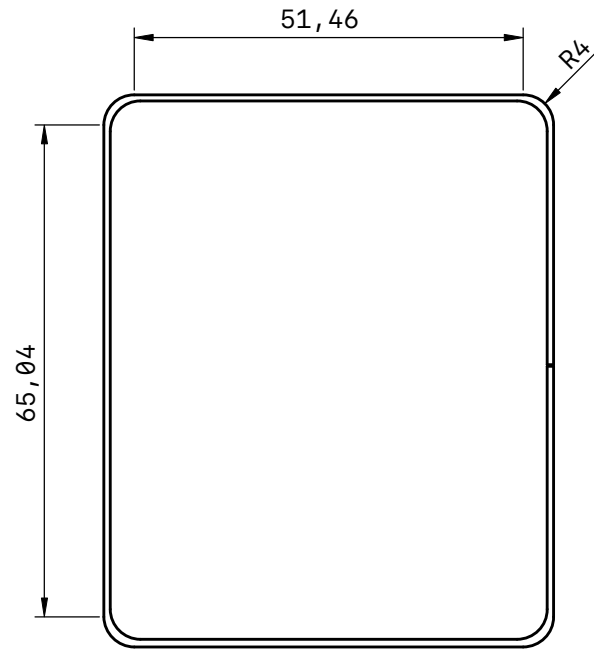
A

A



B

B



C

C

D

D

1

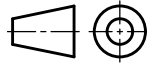
2

3

4

5

6

TITLE		
Middle Chassis		
LAST UPDATED	UNITS	SHEET
12/26/22	mm	1 / 1
FIRST ANGLE PROJECTION	SCALE	SIZE
	1:1	A4