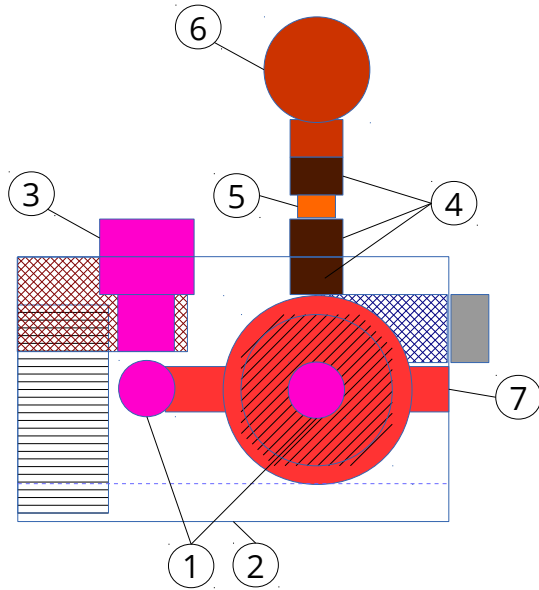


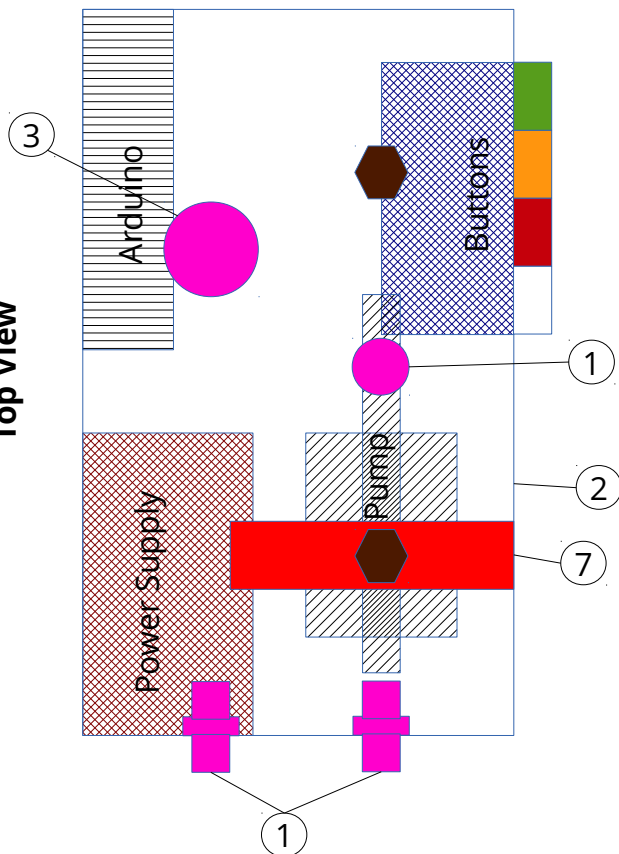
### Side View



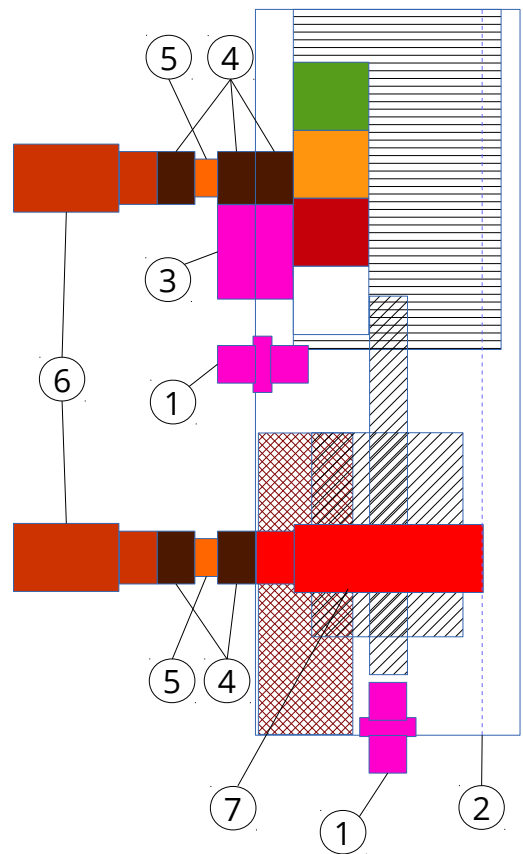
### Bill of material

Pos	ID	Description	Qty
1		Cable Gland M16	3
2		Case 200x120x75	1
3		Cable Gland M25	1
4		Hex Nut M8	5
5		Thread Bolt M8, 30mm	2
6		Pipe bracket 15-19 mm	2
7		Pipe bracket 31-45 mm	1
8		Fender Washer M8	4

### Top View



### Front View



Changes Issue 02  
- slight adjustment position of drill holes

Scale 1:2

Author  
microstill.net

Copyright  
CC BY-SA

**Microstill**  
OPEN DESIGN  
HOME APPLIANCE

Document type  
Drawing

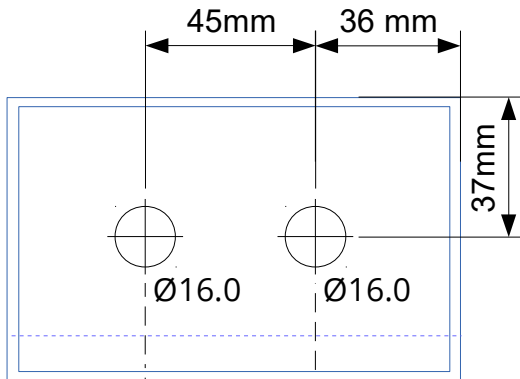
Document status  
Issue

Title  
Case

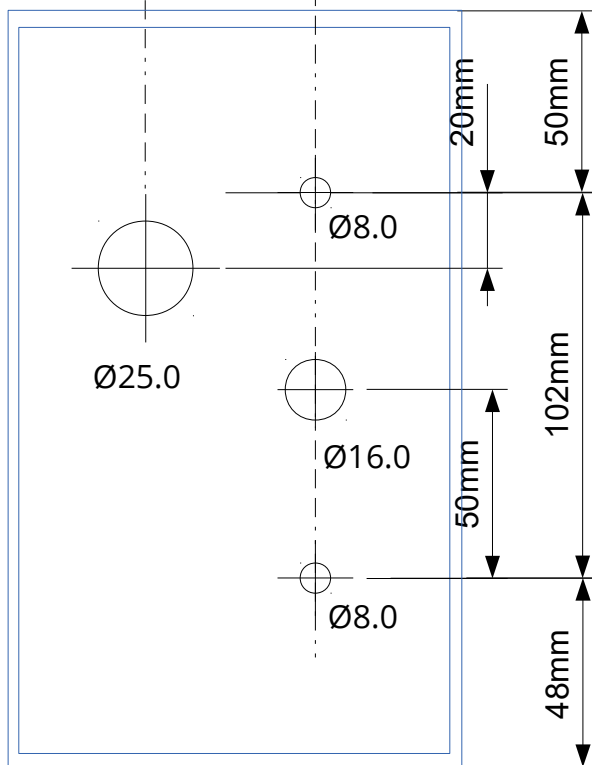
Document no.  
Draw-Case

Issue	Issue date	
01	2017-04-28	1/2

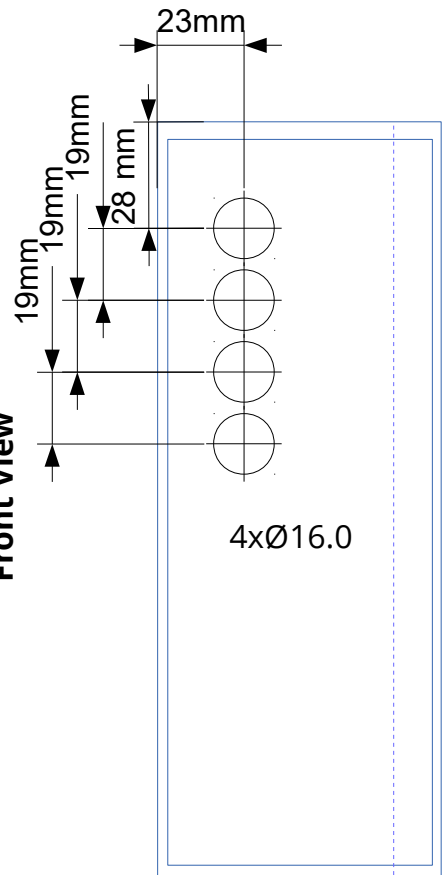
**Side View (from left)**



**Top View**



**Front View**



	Scale 1:2	Author microstill.net	Copyright CC BY-SA
	Document type Drawing	Document status Issue	
	Title Case	Document no. Draw-Case	
		Issue 02	Issue date 2017-04-28