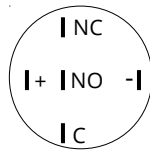
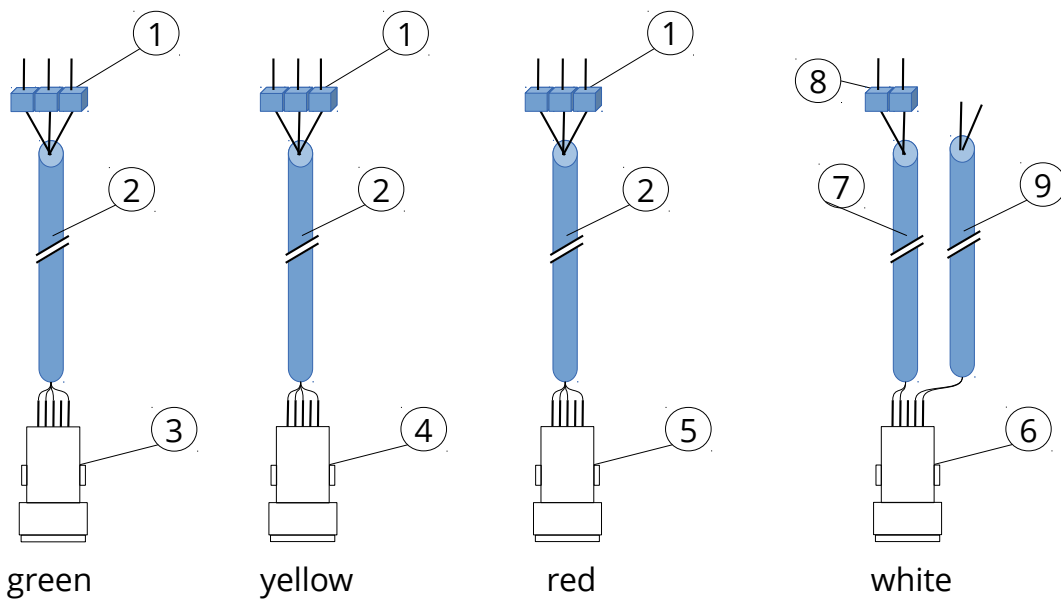


Switch connectors

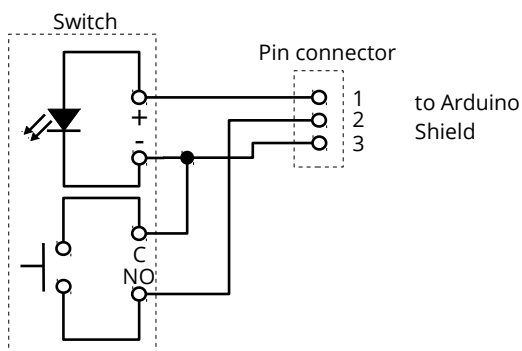


Bill of material			
Pos	ID	Description	Qty
1		Pin header, 3 pin	3
2		Cable, 3 wires, 150 mm	3
3		Push button, LED back light, green	1
4		Push button, LED back light, yellow	1
5		Push button, LED back light, red	1
6		Switch, LED back light, white	1
7		Cable, 2 wires, 150 mm	1
8		Pin header, 2 pin	1
9		Cable, 250 VAC, 2 wires, 150 mm	1

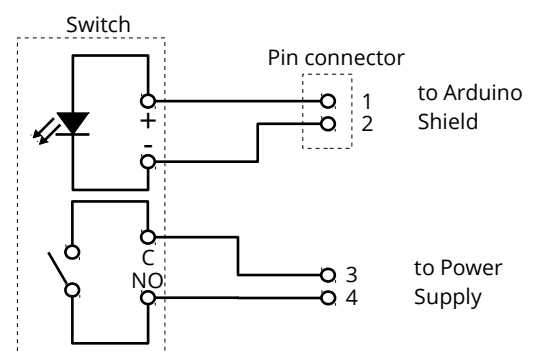
Parts



Circuit of Buttons green, yellow, red



Circuit of Button white



	Document type	Drawing	Document status	Issue
	Title	Buttons	Document no.	Draw-Buttons
	Author	microstill.net	Issue	01
	Copyright	CC BY-SA	Issue date	2017-02-09
			1/1	