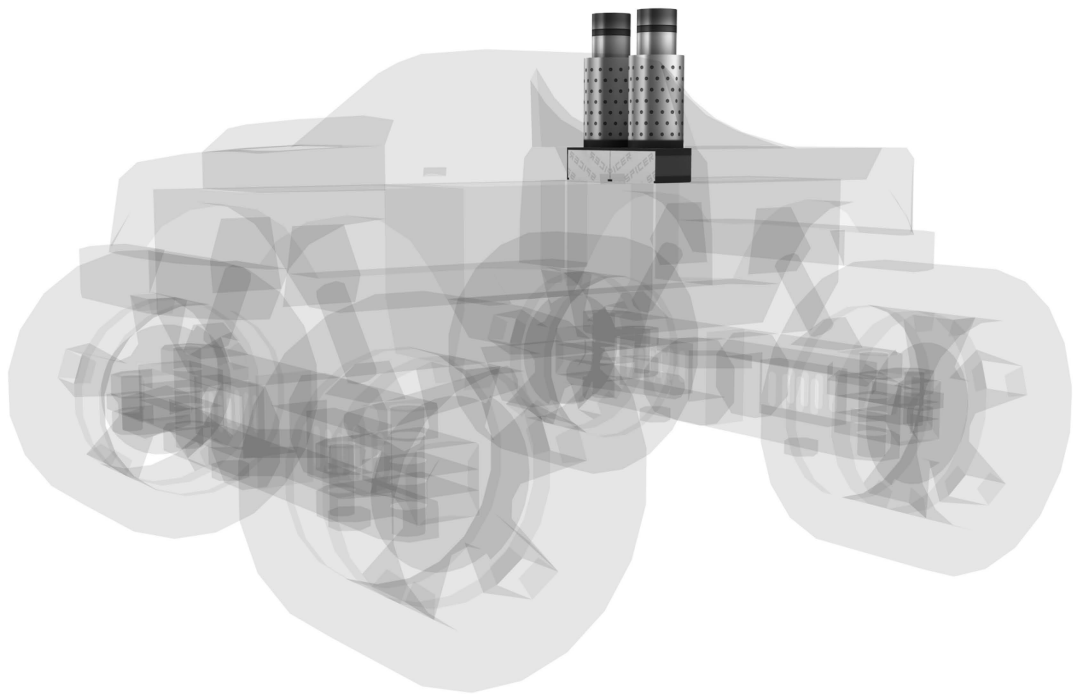


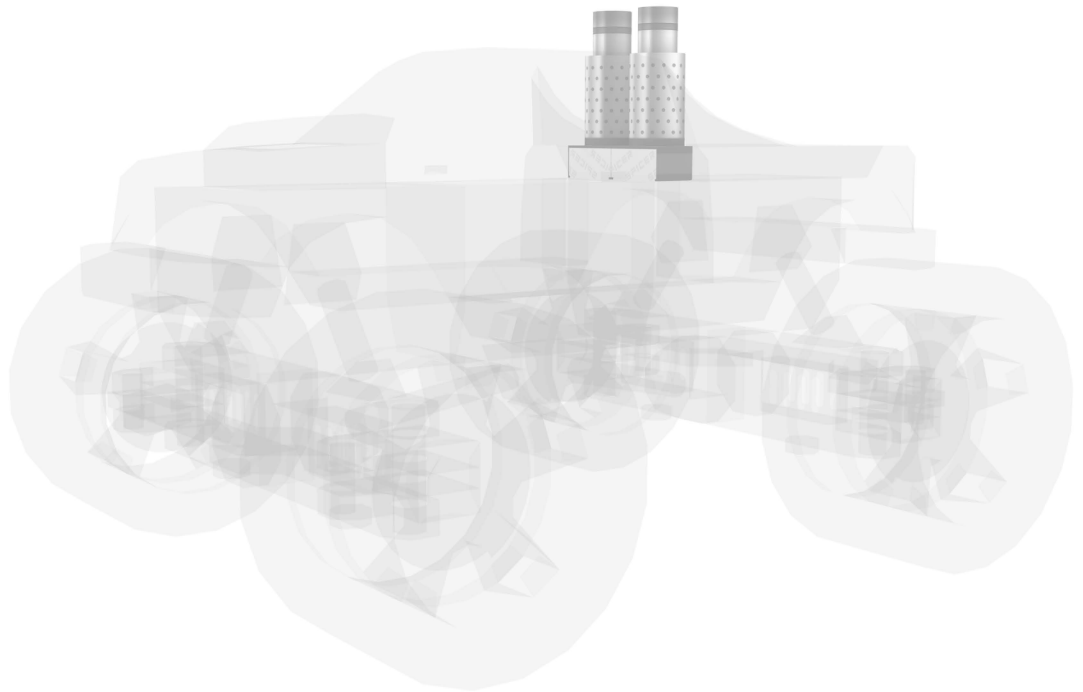


EXHAUST
SAMPLE PAPERCRAFT KIT



Designed by Taras Lesko
visualspicer.com

TIPS



Tools & Materials

- 110lb / 200gm cardstock paper (recommended)
- Printer
- X-Acto knife (optional)
- Scissors (optional)
- Markers (optional)
- Ruler (optional)

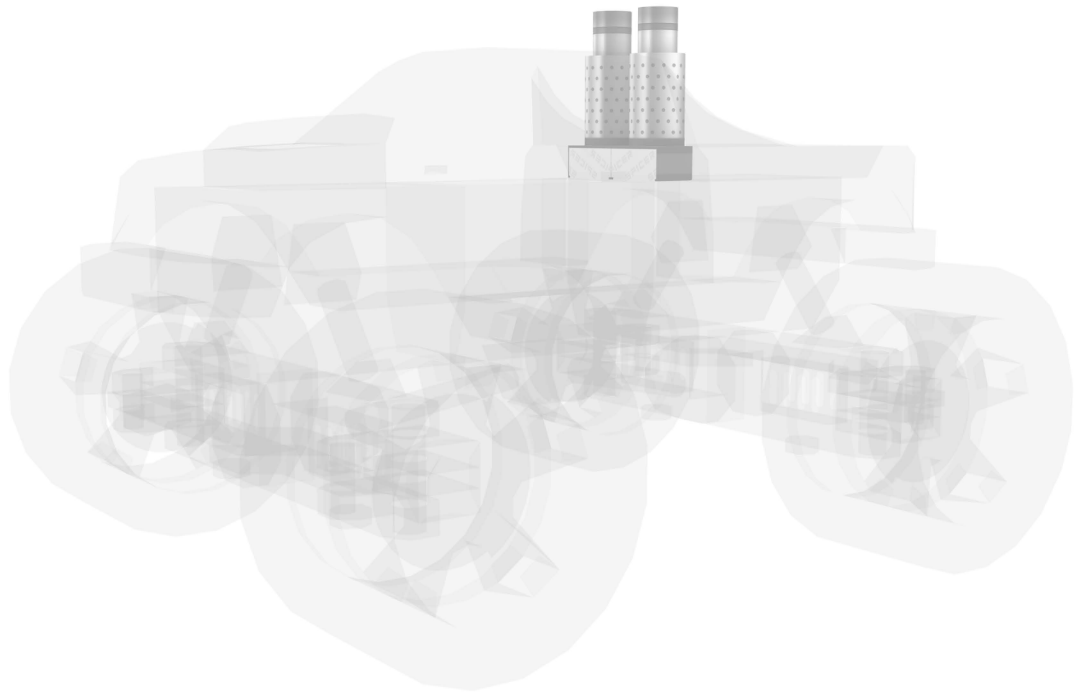
Print Settings

1. Select your printer in "Print" dialog.
2. Select your page size in "Printer Properties" dialog.
3. Select the "Fit to page" size option in "Print" dialog.
4. Press "Print" button.

Miscellaneous

- Glue only one part at a time.
- Glue only two or three tabs at a time.
- If you mess up, reprint templates and try again.
- Experiment, enjoy and have fun!

TEMPLATES



Cut

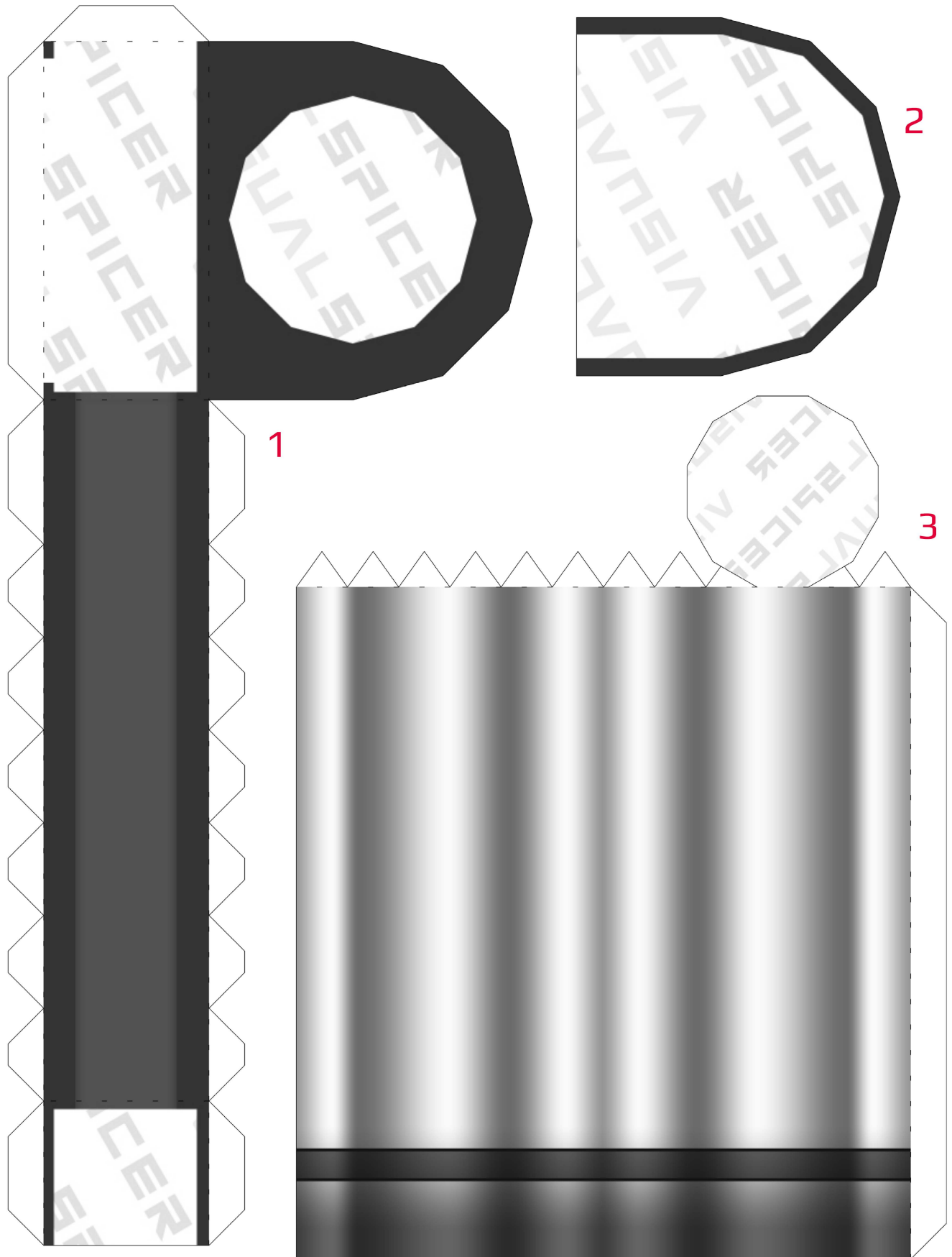


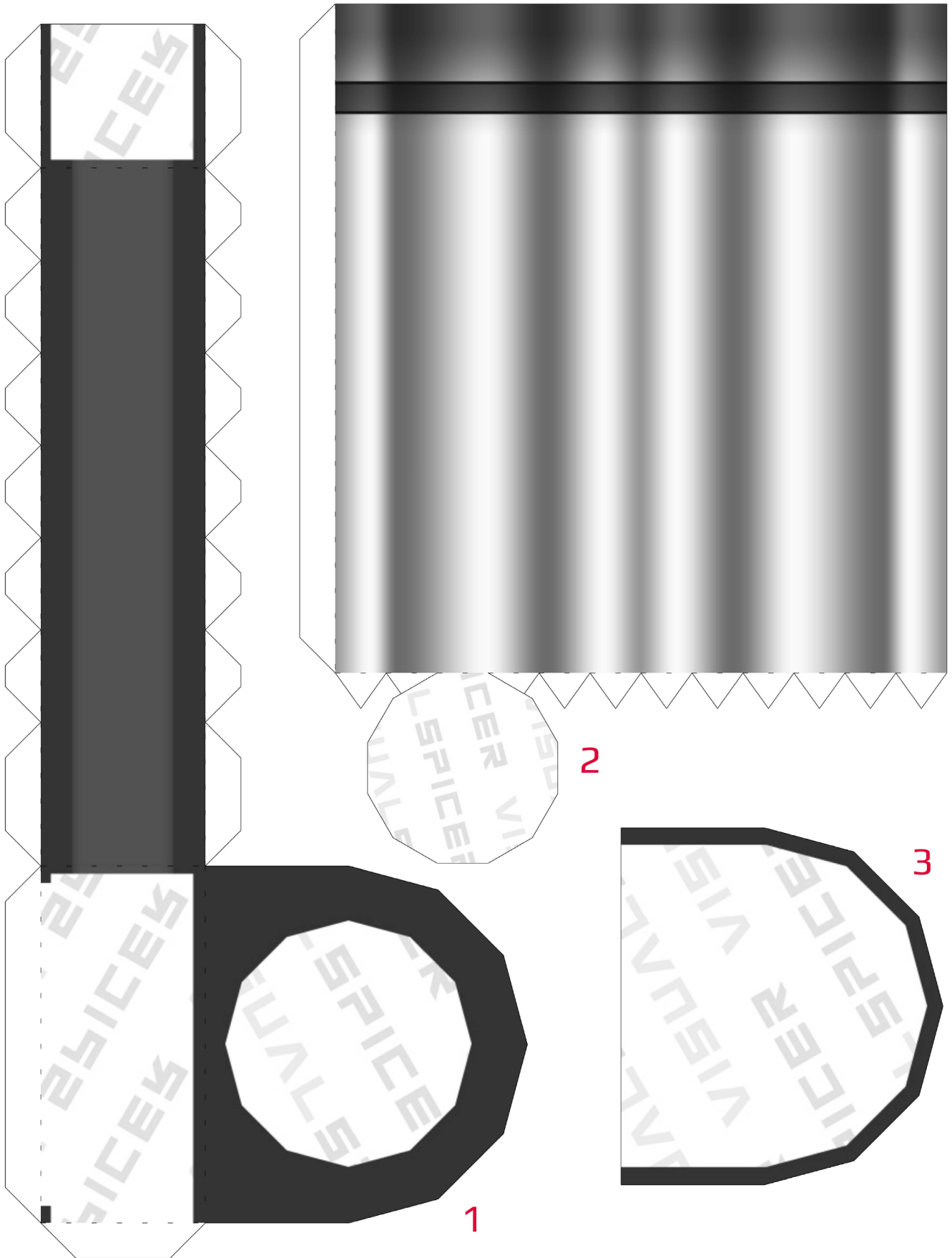
Fold

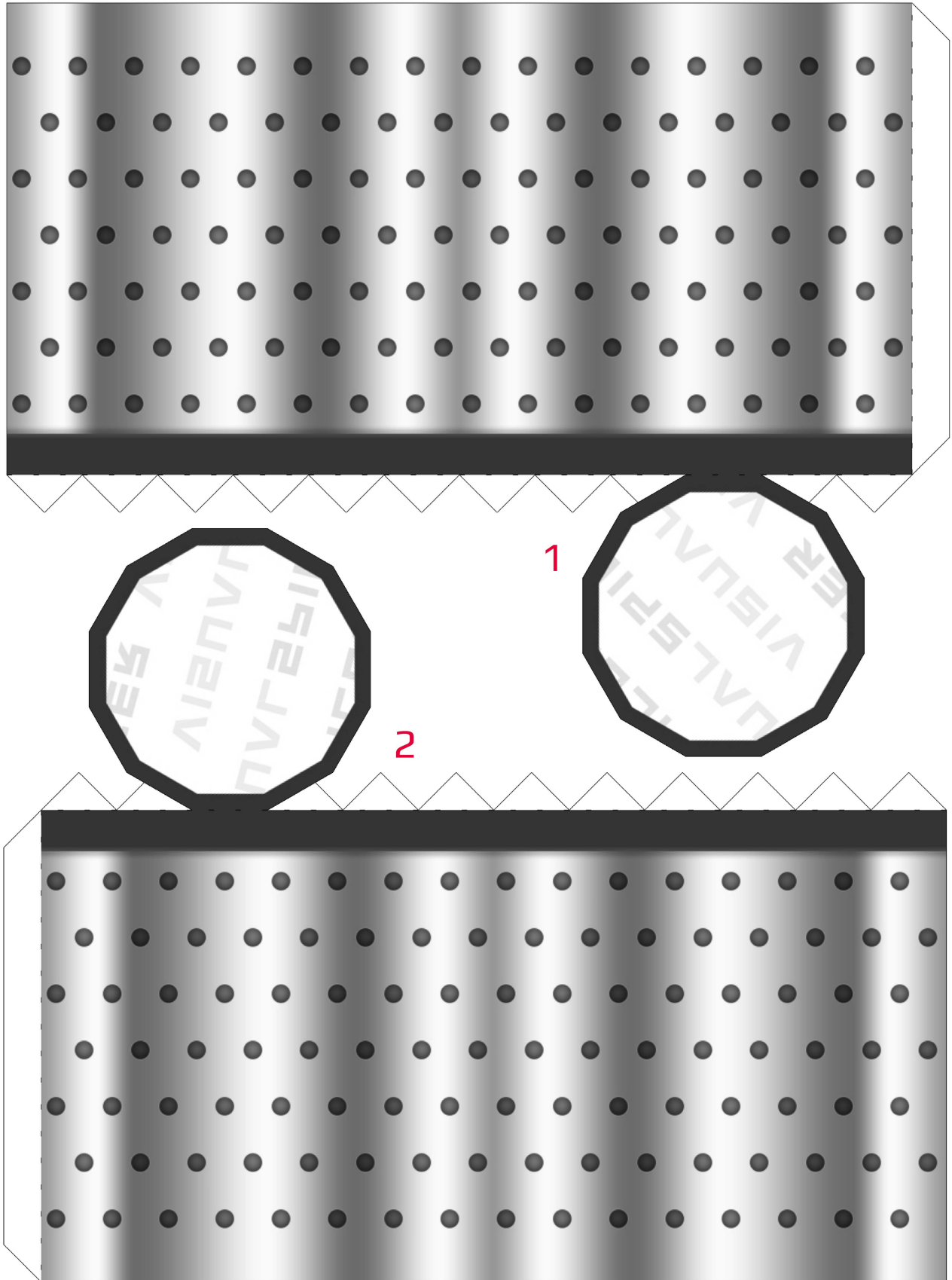


Remove

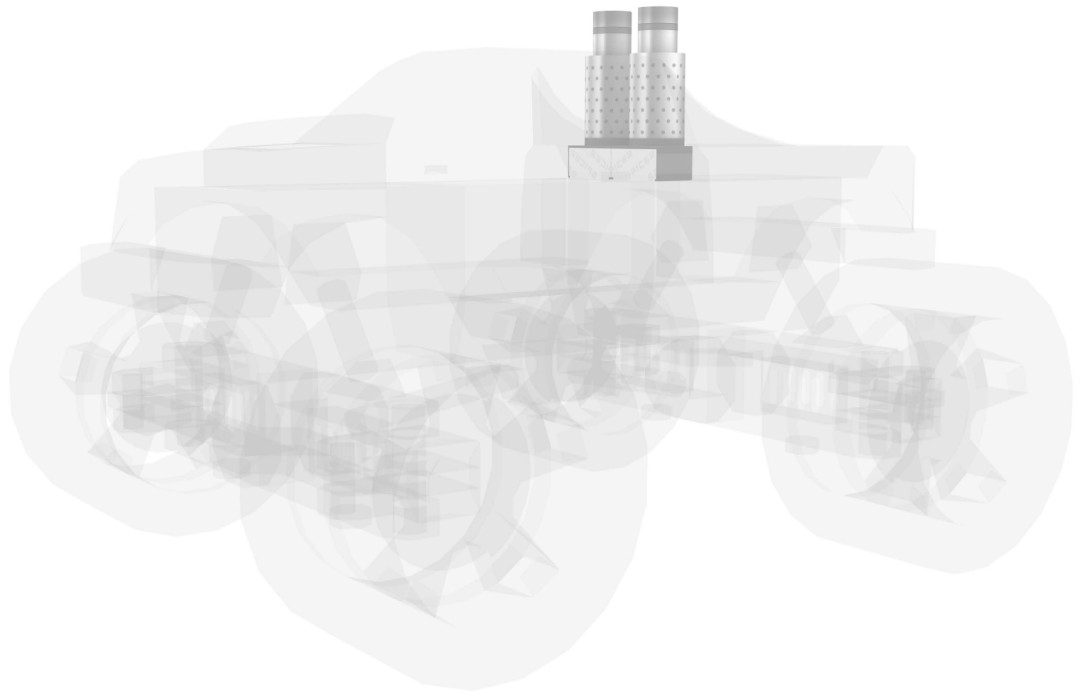








INSTRUCTIONS

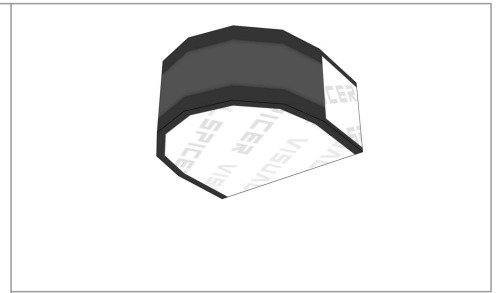
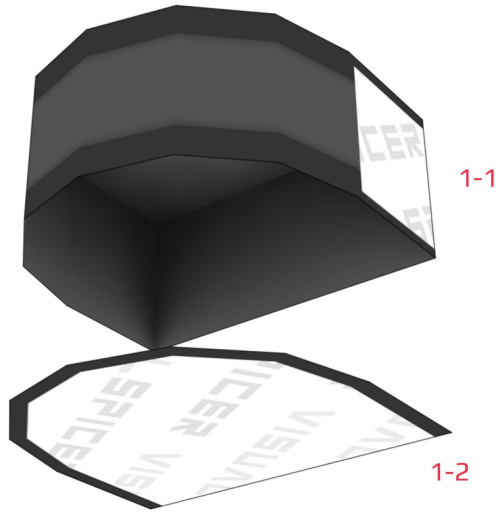


Watch the animated version of these instructions at
visualspicer.com/monster-craft

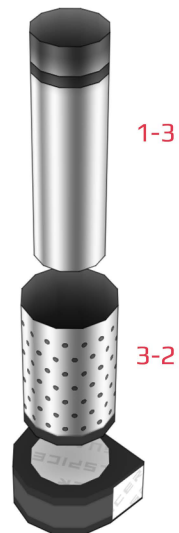
TEMPLATES PAGE NUMBER TEMPLATES PART NUMBER

∨ ∨
-

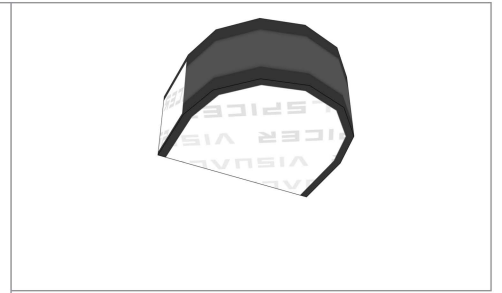
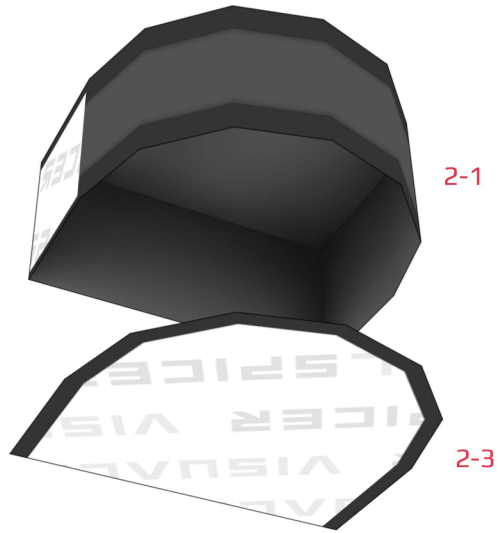
1



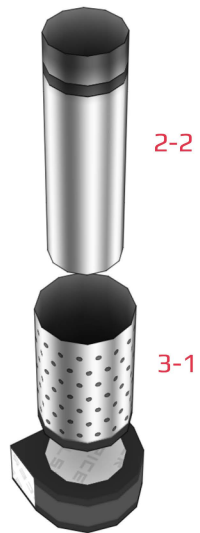
2



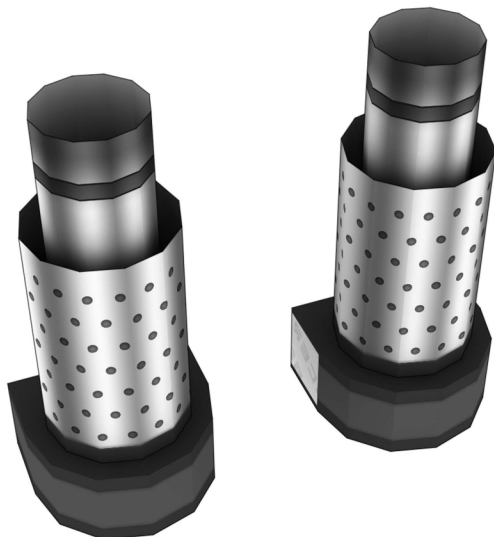
3



4



5



THANK YOU

Visit visualspicer.com for more of my creative work and downloadable papercrafts. Send questions, suggestions or comments to mail@visualspicer.com.

- Taras Lesko



Colossians 3:23-24

Whatever my hands find to do, I work at it with all my heart,
as working for the Lord, not for men...