

8 7 6 5 4 3 2 1

F

F

E

E

D

D

C

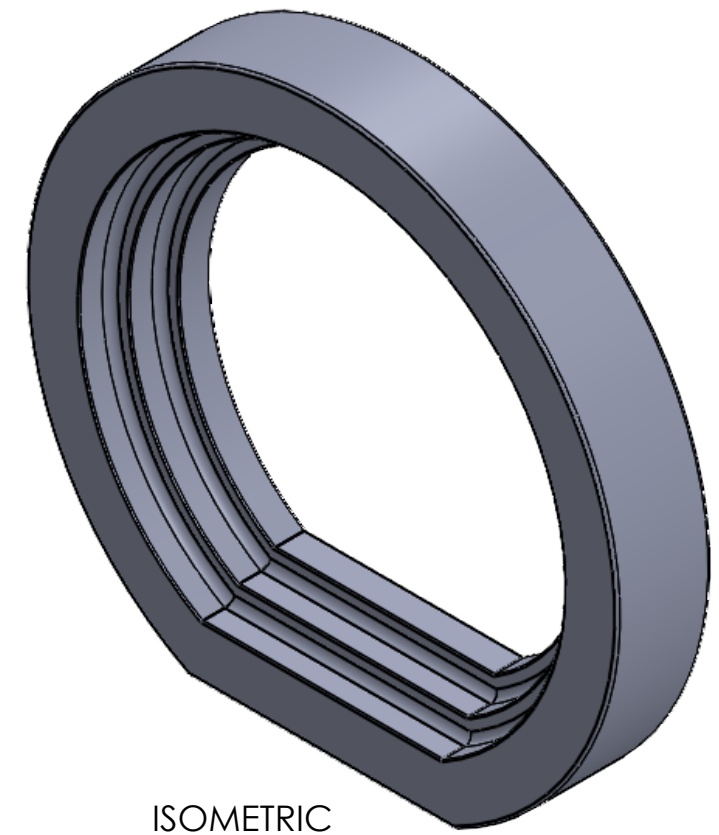
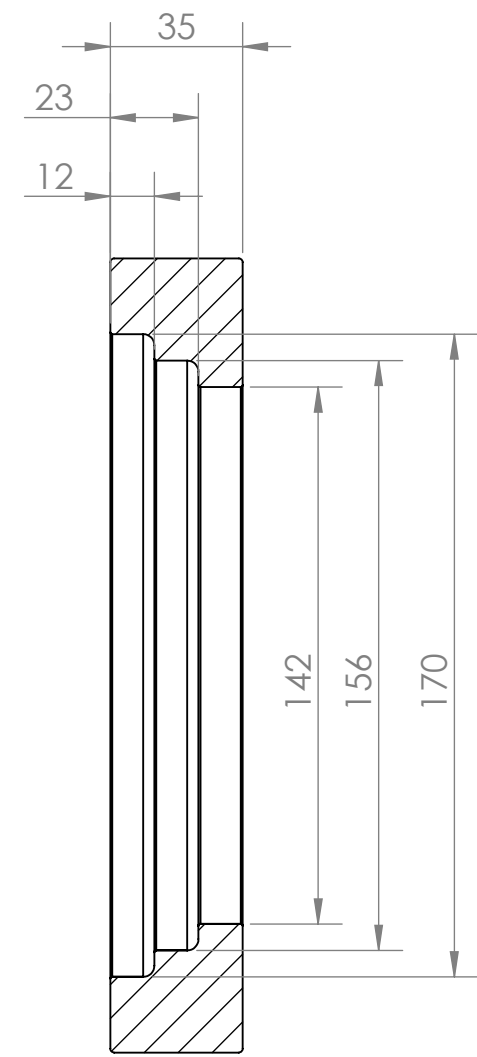
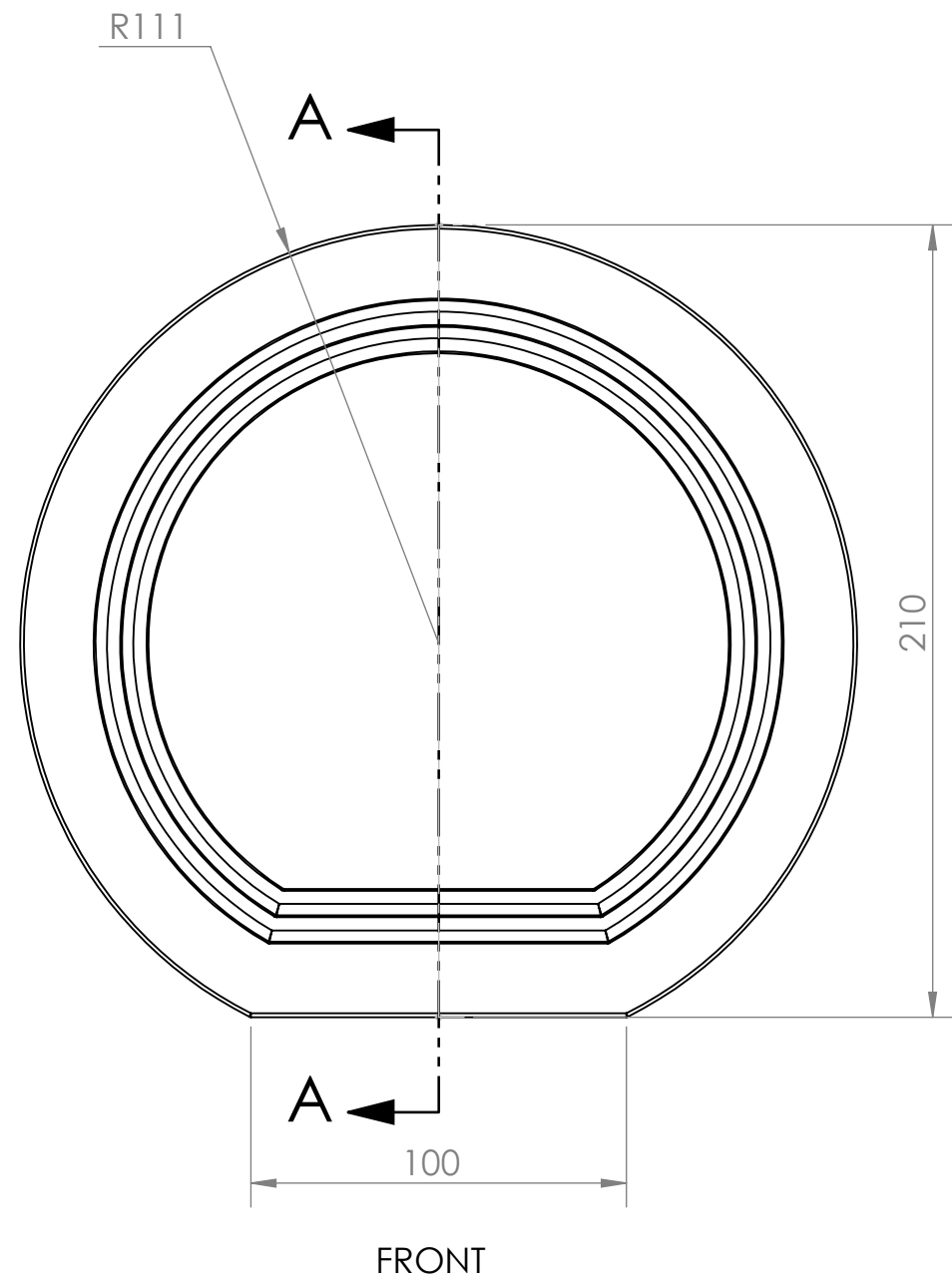
C

B

B

A

A



ISOMETRIC

SECTION A-A

UNLESS OTHERWISE SPECIFIED: DIMENSIONS ARE IN MILLIMETERS SURFACE FINISH: TOLERANCES: LINEAR: ANGULAR:			FINISH:		DEBURR AND BREAK SHARP EDGES		DO NOT SCALE DRAWING		REVISION		
						TITLE: MOULD TOOL 1					
DRAWN						DWG NO. 223410898-1					
CHK'D						MATERIAL: MDF					
APPV'D						SCALE:1:2					
MFG						SHEET 1 OF 1					
Q.A						A3					
WEIGHT:											