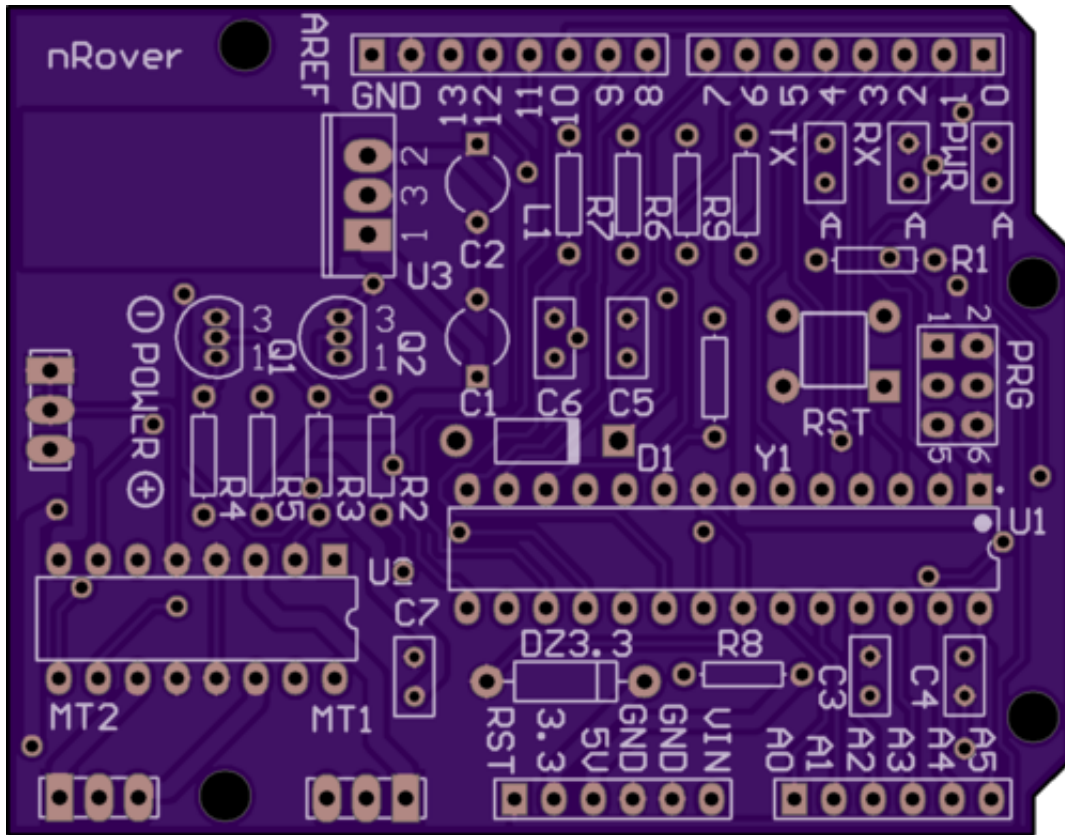
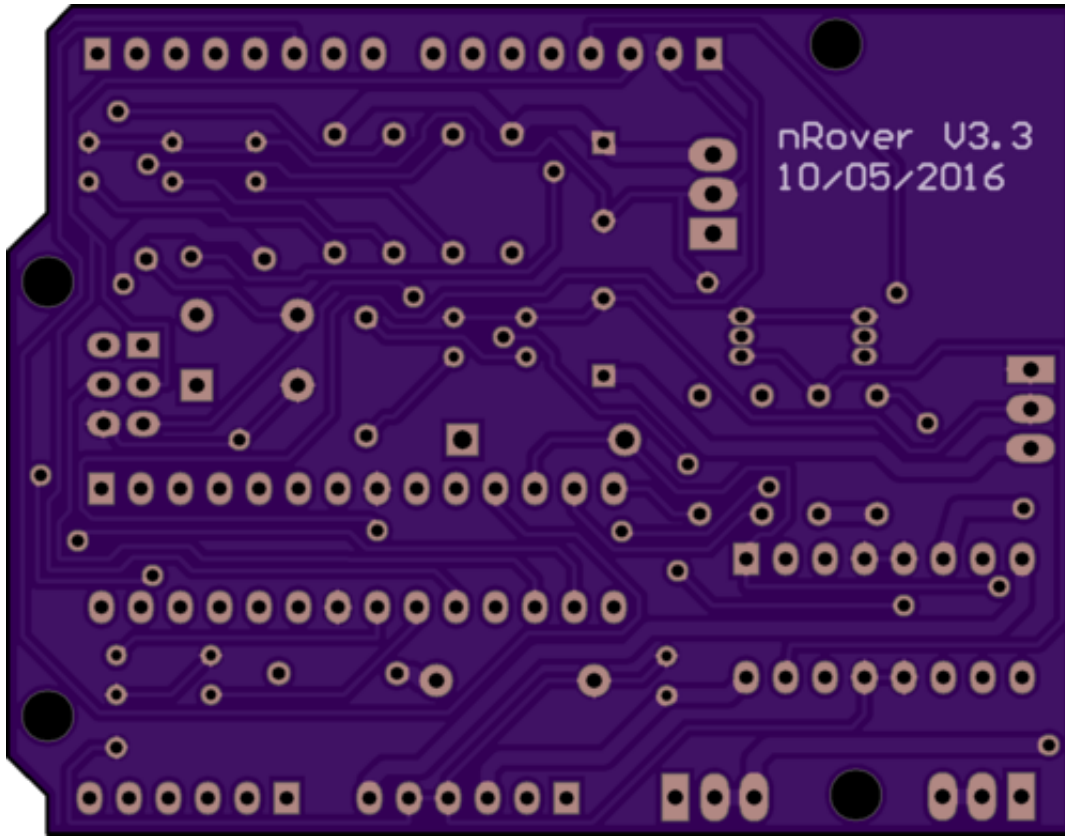


OSH Park

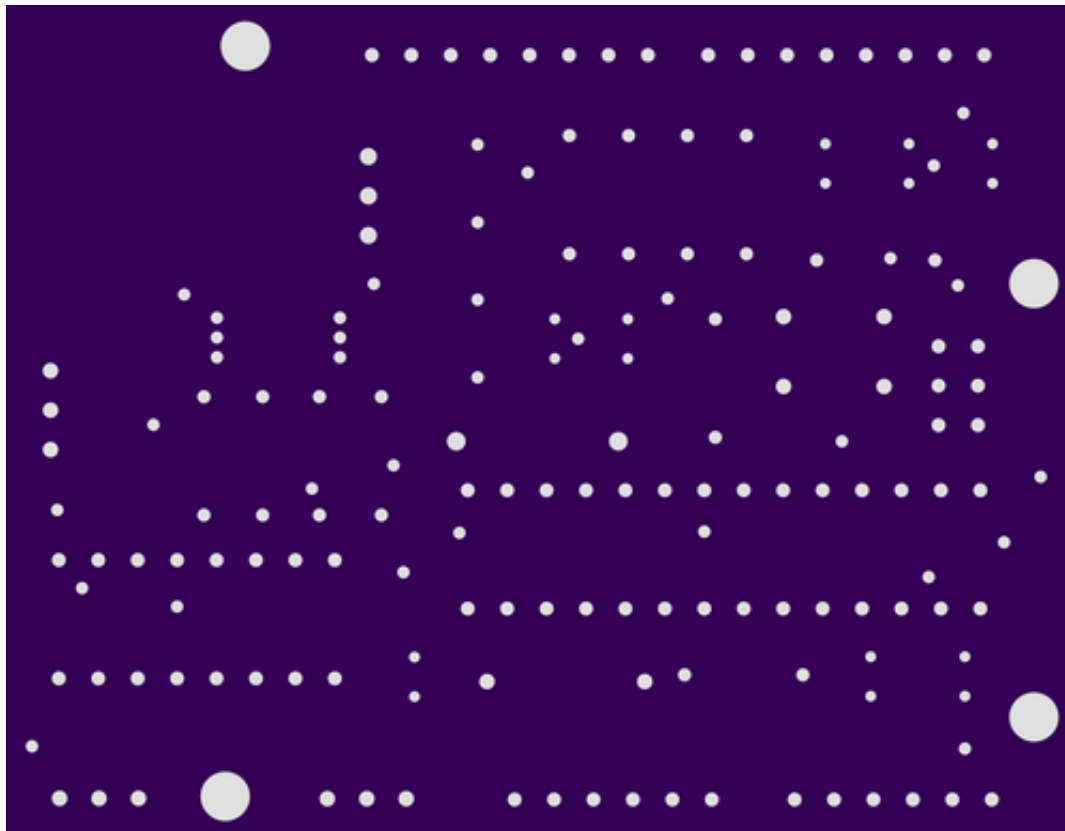
PCB Order - Verify your design



Board Top

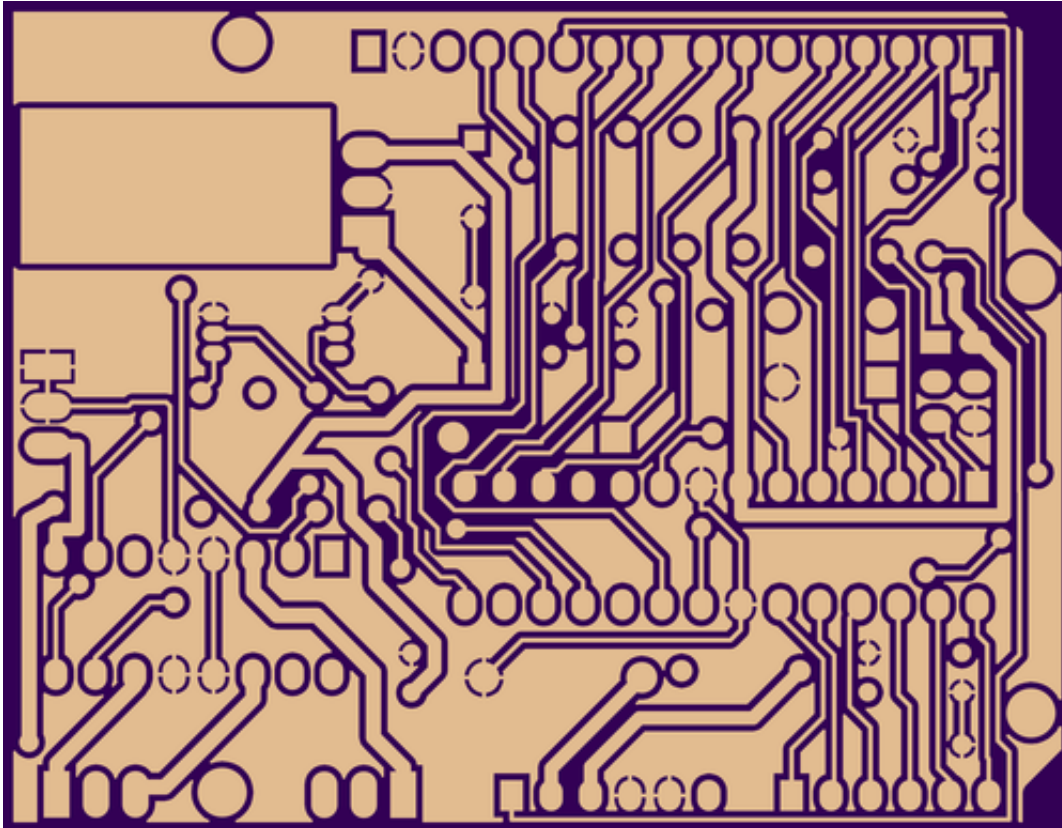


Board Bottom



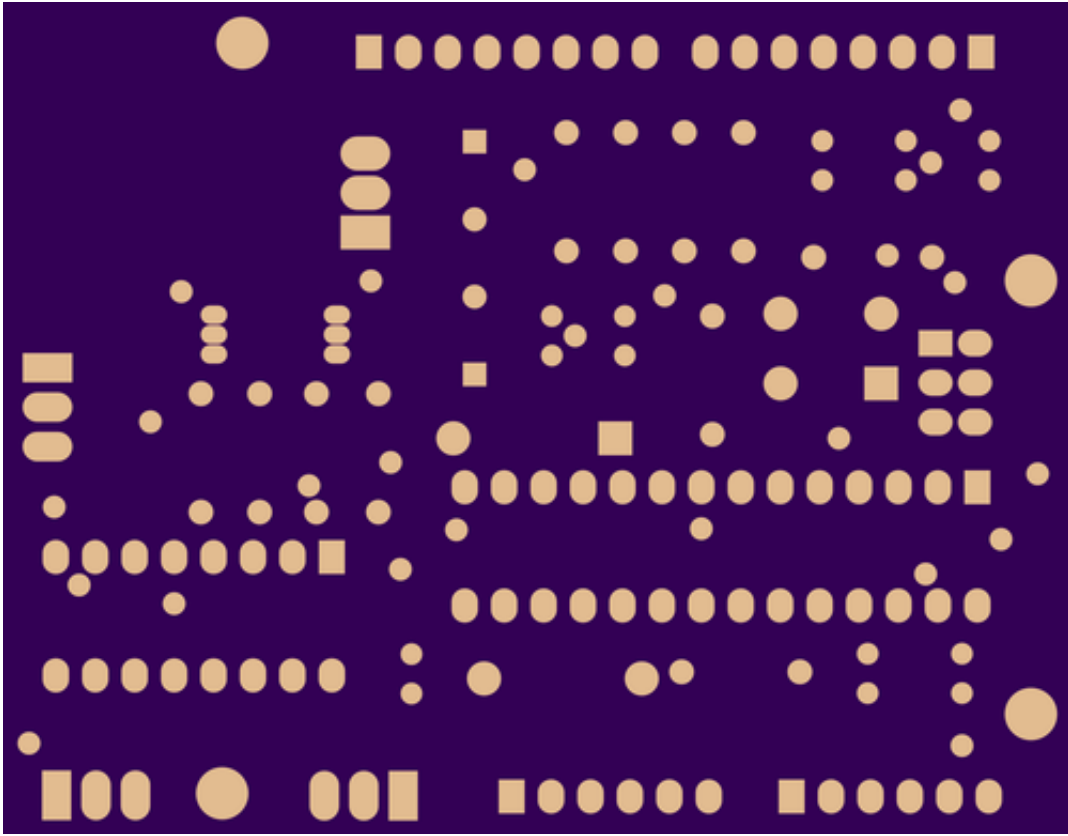
Drills

-
-
-
-
-



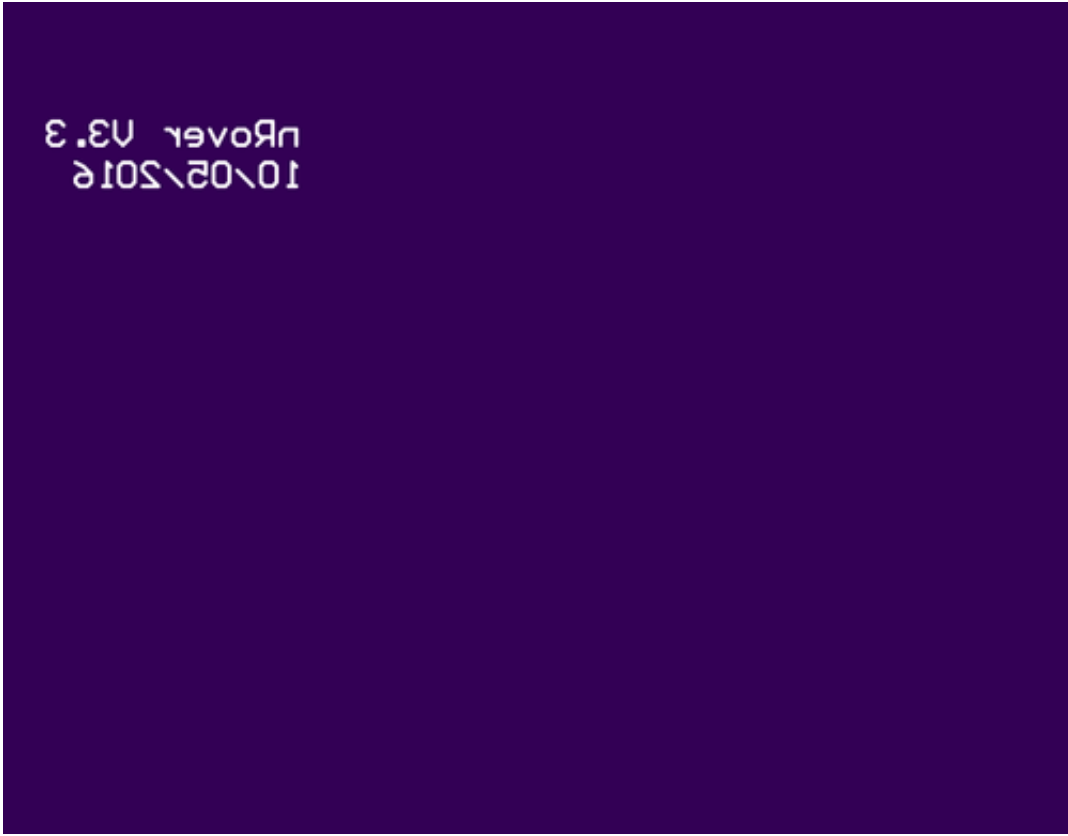
Top Layer

-



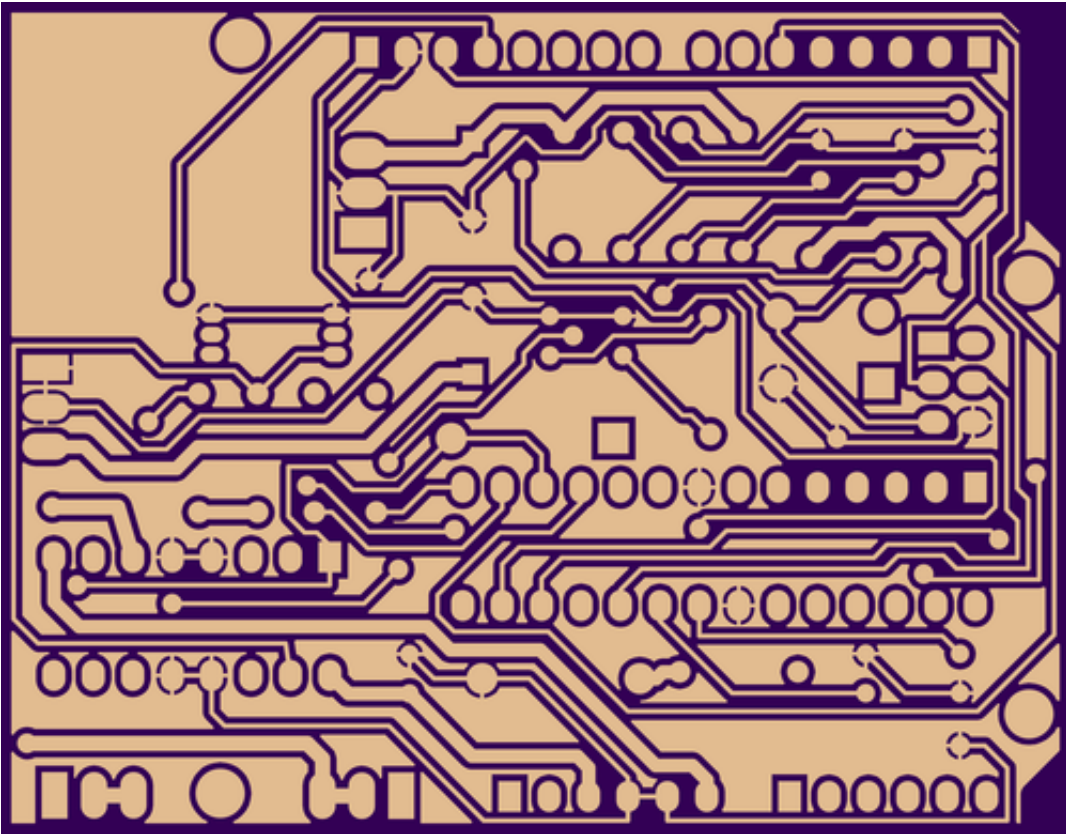
Bottom Solder Mask

-
-



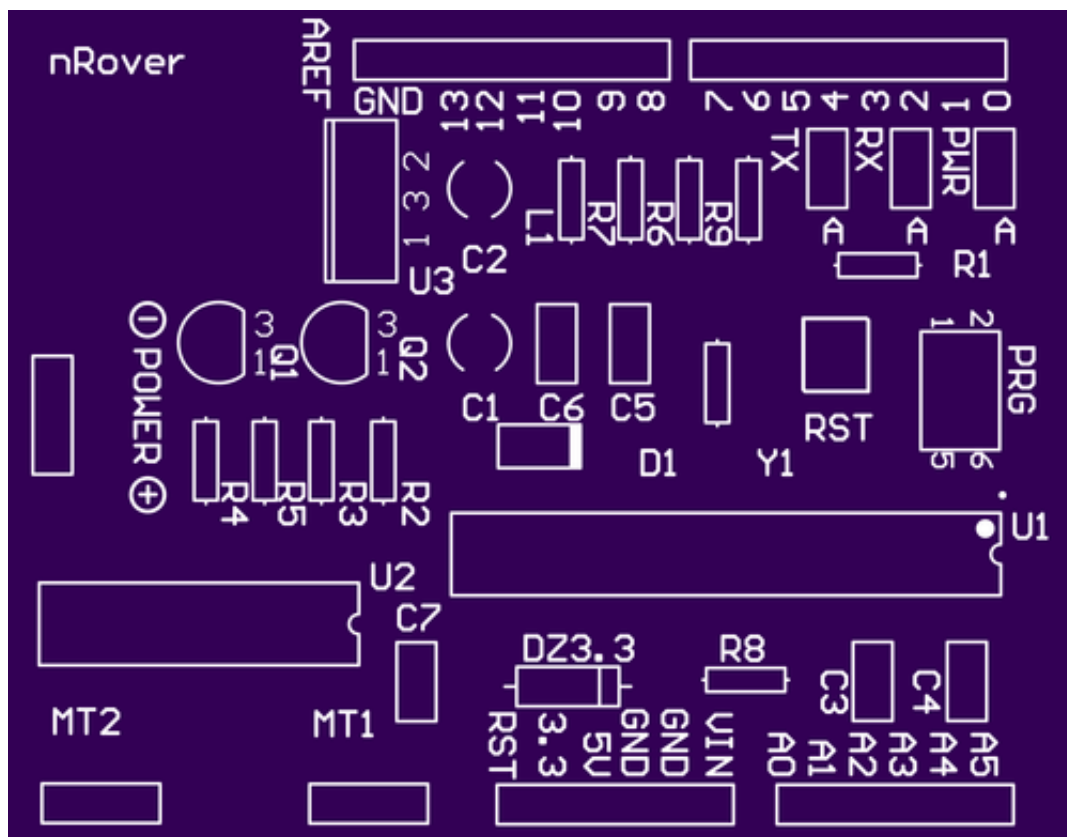
Bottom Silk Screen

-
-
-



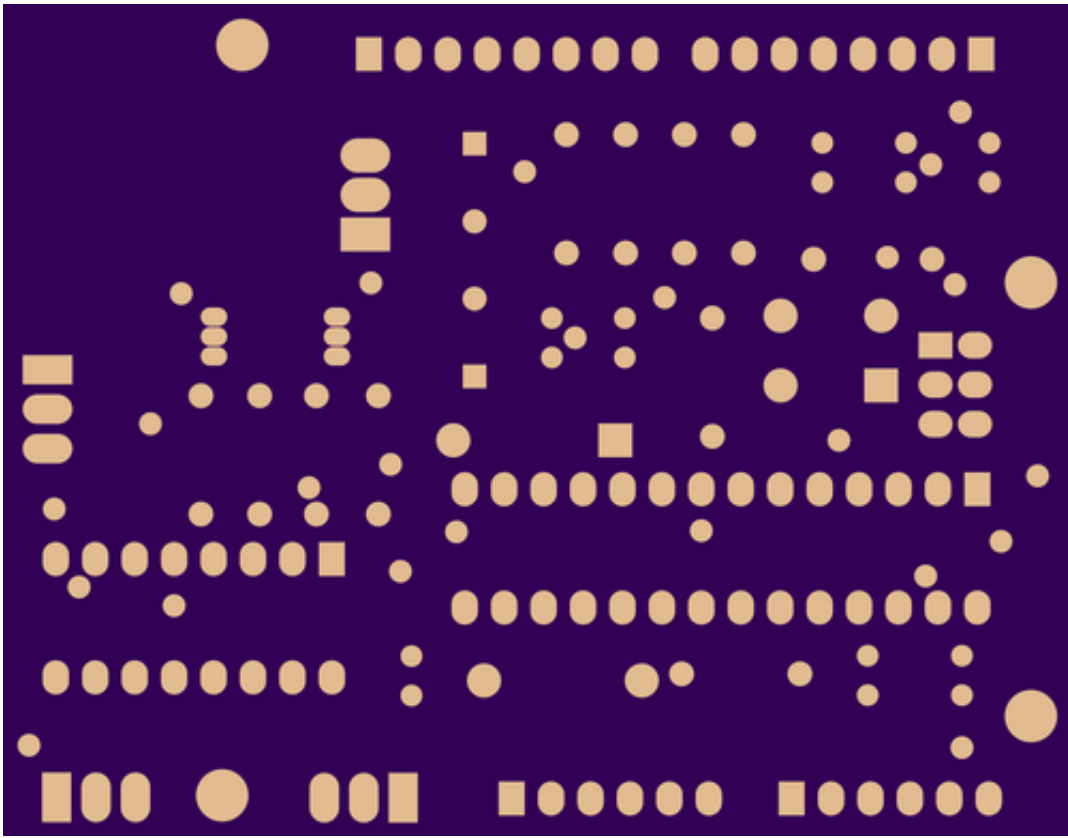
Bottom Layer

-



Top Silk Screen

-
-
-



Top Solder Mask

-
-



Board Outline

-
-
-
-

Warning: Removed empty file "ROVERV4.GBP".

Warning: Removed empty file "ROVERV4.GTP".