



Scan for more information

PA-14

User Manual

Table of Contents

Specifications.....	3
Dimensions.....	4
Speed/Current vs Load.....	5
Connectors.....	6
Internal Components.....	7
Internal Descriptions.....	8

Have any queries? Our expert engineers are here to help!



sales@progressiveautomations.com



1-800-676-6123



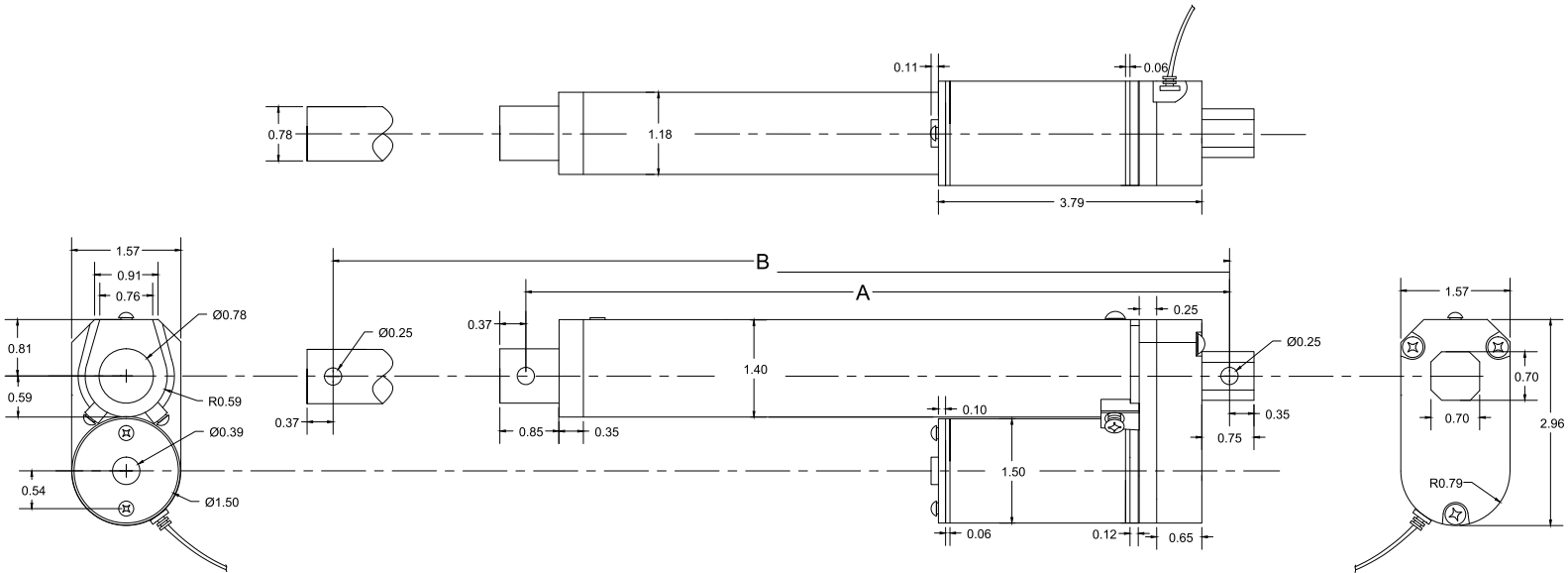
progressiveautomations.com

Specifications

Load (LBS)		No Load Current (A)				Full Load Current (A)				Speed (inch/sec)	
Dynamic	Static	12VDC	24VDC	36VDC	48VDC	12VDC	24VDC	36VDC	48VDC	No Load	Full Load
35	35	1.0	0.5	0.3	0.3	5.0	2.5	1.7	1.3	2.00	1.38
50	50	1.0	0.5	0.3	0.3	5.0	2.5	1.7	1.3	1.14	0.83
75	75	1.0	0.5	0.3	0.3	5.0	2.5	1.7	1.3	0.95	0.70
110	110	1.0	0.5	0.3	0.3	5.0	2.5	1.7	1.3	0.79	0.59
150	150	1.0	0.5	0.3	0.3	5.0	2.5	1.7	1.3	0.37	0.28

Stroke	1" to 40"
Limit Switch	Internal - Non-Adjustable
Limit Switch Feedback	Customizable
Screw Type	ACME Screw
Motor Type	Brushed or Brushless DC Motor
Connector Type	See Page 6
Wire Length	40" (customizable)
Housing Material	6062 Aluminum Alloy
Rod Material	Aluminum Alloy/Stainless Steel (customizable)
Gear Material	Polyformaldehyde (35 lbs only)/Powder Metallurgy Steel Alloy
Color (Shaft)	Silver
Color (Motor End)	Silver
Noise	<45dB
Duty Cycle	25% (5 minutes on, 15 minutes off)
Operational Temperature	-5°C to 65°C (23°F to 149°F) (Standard), -25°C to 65°C (-13°F to 149°F) (Customizable)
Protection Class	IP54 (IP65 customizable)
Feedback Options	See PA-14P Feedback Linear Actuator
Certifications	CE/RoHS
Mounting Brackets	See Page 7
Mounting Ends	Customizable

Dimensions



Hole to Hole

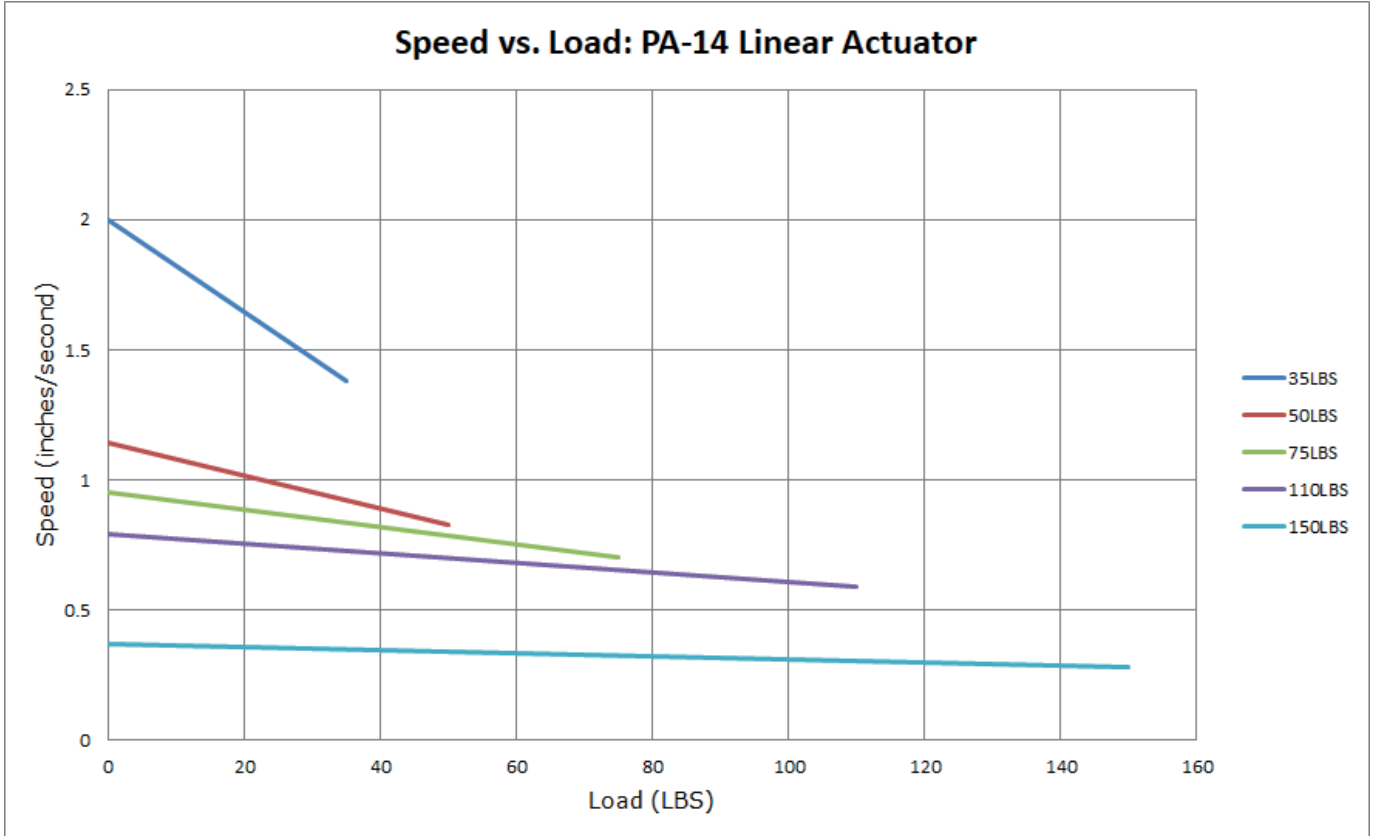
Stroke	1	2	3	4	6	8	9	10	12	14	16	18	20	22	24	30	40
PA-14																	
A	5.13	6.13	7.13	8.13	10.13	12.13	13.13	14.13	16.13	18.13	20.13	22.13	24.13	26.13	28.13	34.13	44.13
B	6.13	8.13	11.51	12.13	16.13	20.13	22.13	24.13	28.13	32.13	36.13	40.13	44.13	48.13	52.13	64.13	84.13

For Stroke Length

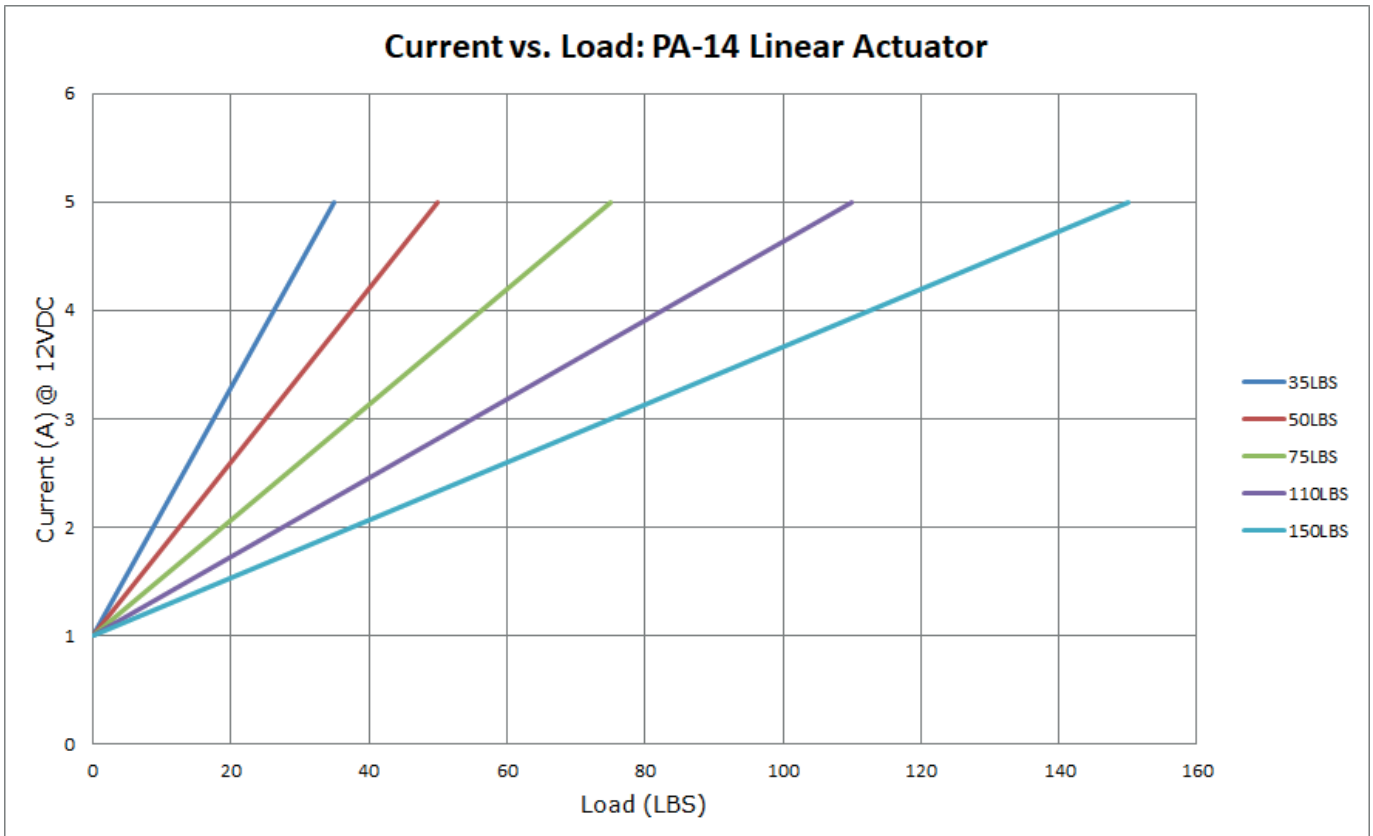
A = Stroke Length + 4.13"

B = Stroke Length x 2 + 4.13"

Speed vs Load

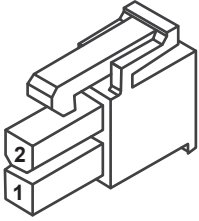


Current vs Load



Connectors

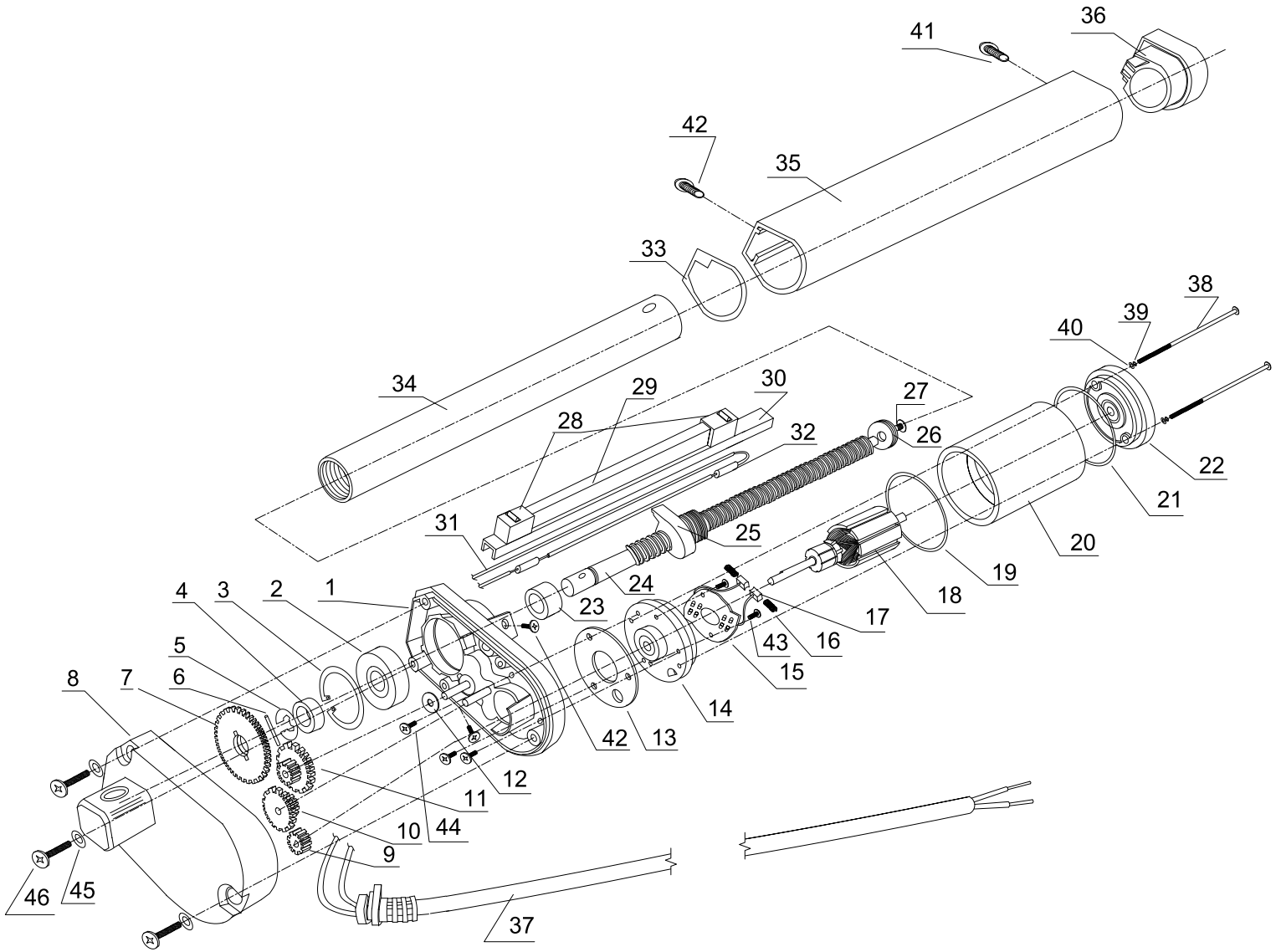
2-Pin Connector (Standard)



Motor	
2	1
M-	M+

Component	Part Name	Part Number	Mating Part Number
Housing	Molex Mini Fit Jr 2-Pin Receptacle	39-01-2025	39-01-2029 /39-01-2026
Terminal	Molex Mini-Fit Jr. Female Terminal	39-00-0038	39-00-0040

Internal Components



Internal Descriptions

Item	Description	Qty
1	Actuator base	1
2	Shaft Bearing	1
3	Shaft Bearing Lock	1
4	Shaft Base Spacer	1
5	Shaft Base Spacer Lock	1
6	Shaft Gear Wheel Holder	1
7	Shaft Gear Wheel	1
8	Base Cover with Mounting Support	1
9	Electric Motor Gear Wheel	1
10	Small Intermediate Gear Wheel	1
11	Medium Intermediate Gear Wheel	1
12	Teflon Washer	1
13	Electric Motor Base Washer	1
14	Electric Motor Base	1
15	Brush Holder PCB	1
16	Electric Motor Brush	2
17	Electric Motor Brush Spring	2
18	Electric Motor Rotor	1
19	Motor Enclosure Bottom Washer	1
20	Electric Motor Encloser with Stator	1
21	Motor Enclosure Top Washer	1
22	Electric Motor Cap with Rotor Bearing	1
23	Shaft Spacer	1
24	Threaded Shaft Drive / Lead Screw	1
25	Shaft Base with Limit Switches Arm	1
26	Shaft Drive End Support	1
27	Shaft Drive End Support Screw	1
28	Limit Switch	2
29	Limit Switches Spacer	1
30	Limit Switches Base	1
31	Limit Switches Wiring	1
32	Diode	2
33	Shaft Encloser Bottom Washer	1
34	Shaft with Mounting Hole	1
35	Shaft Enclosure	1
36	Shaft Enclosure Top Cap	1
37	Power Cable	1
38	Motor Enclosure Screw	2
39	Motor Screw Spring Washer	2
40	Motor Screw Washer	2
41	Shaft Enclosure Top Cap Screw	1
42	Shaft Enclosure Base Screw	3
43	Brush Holder PCB Screw	2
44	Motor Base Screw	3
45	Base Cover Washer	3
46	Base Cover Screw	3